

# ARPELLA

## INSTALLATION INSTRUCTIONS


Please read these instructions carefully before installation. Installation should be carried out by a qualified electrician.


Do NOT strike mirror glass with hard or pointed items. It is recommended that the product is cleaned with a soft, dry, non-abrasive cloth. Do NOT use cleaning agents or abrasive materials on any type of finished surface. Do NOT allow moisture to come into contact with the electrical components.

Electrical information of LED Mirror						
Item Code	Product Size(inch)	Input Voltage	Electric Power of Mirror(Watt)	Lumens	Colour temperature (Kelvin)	Life expectancy of LED strip(Hour)
LEDCM2436	24"W X36"H	110V	33W	3052.5	3000K/4500K/6000K	50,000
LEDCM3436	34"W X36"H	110V	39W	3607.5	3000K/4500K/6000K	50,000
LEDCM4836	48"W X36"H	110V	47.4W	4384.5	3000K/4500K/6000K	50,000
LEDCM6036	60"W X36"H	110V	54.6W	5050.5	3000K/4500K/6000K	50,000
LEDCM7036	70"W X36"H	110V	60W	5661	3000K/4500K/6000K	50,000


### Touch Switch Application

#### 1. LED Light - Turn On/Off, Dim

Short touch  to turn on the LED light, then once again to turn it off

When the LED light is on, hold  to dim, or let go and hold again to increase the brightness


#### 2. Adjust the color temperature

When the LED light is ON, use single finger to touch  and hold, the color temperature will be changing---change from white to a cool or warm tint.

#### 3. The Switch is with memory function

When the light is turned on again, the brightness and color temperature of the LED light will be at the same status as it was turned off.

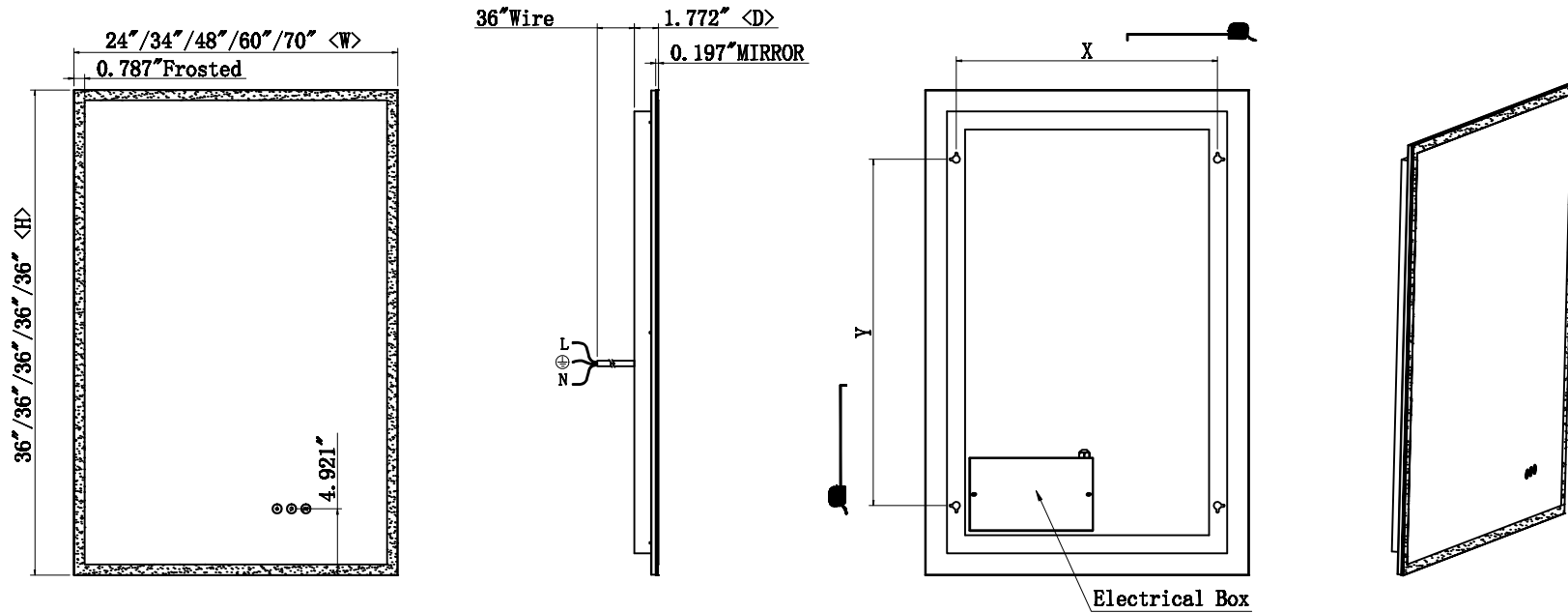
#### 4. Anti fog function- Turn On/Off

Short touch  to turn Off the Switch indicator light of the defogger, the anti-fog function will be activated. Short touch

 again to turn On the Switch indicator light, the defogger will stop working.

# ARPELLA INSTALLATION INSTRUCTIONS

MODEL: LEDCM2436/LEDCEM3436/LEDCEM4836  
LEDCEM6036/LEDCEM7036



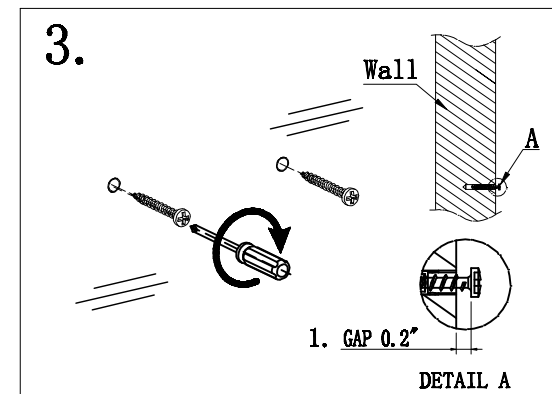
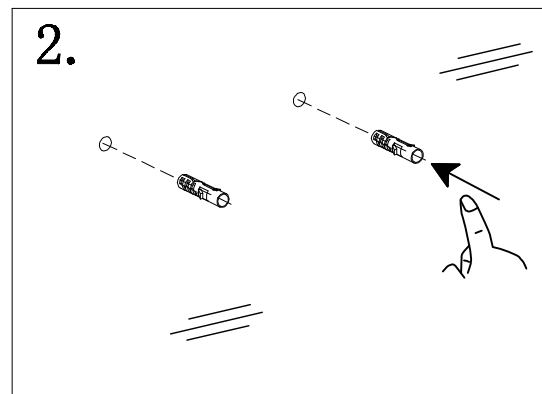
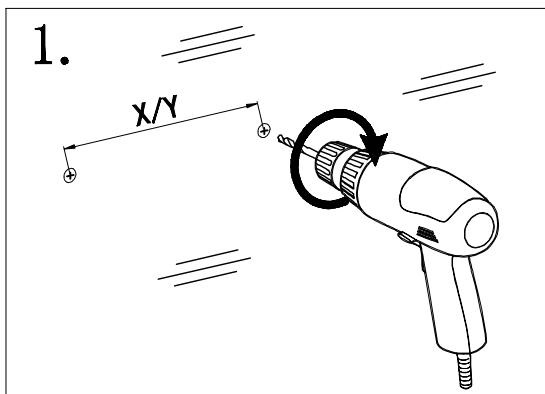
# ARPELLA

## INSTALLATION INSTRUCTIONS

1. Before your installation, make sure the location of the mirror is suitable, ensuring that the domestic main power supply is within reach of the electrical entry point of the mirror.

2. Use a soft pencil to mark the position of the mirror on the wall, and it is very important to make sure it is level. Remove the mirror and mark the mounting points. Keep in mind that all marked mounting points to be matched up with the fixing points on the mirror accurately.

3. Drilling holes in the marked positions by using a suitable tool, and then insert the wall plugs on the surface of the wall. After that, fasten the supplied screws into wall plugs (Fig.1/2/3)



# ARPELLA INSTALLATION INSTRUCTIONS

4. You must have a Junction box in the wall.  
Carefully connect the domestic main power supply to the terminal box according to the wiring diagram (Fig. 4) overleaf. Always remember that the domestic electrical main power supply to which the mirror is being connected is **TURNED OFF** during the installation.

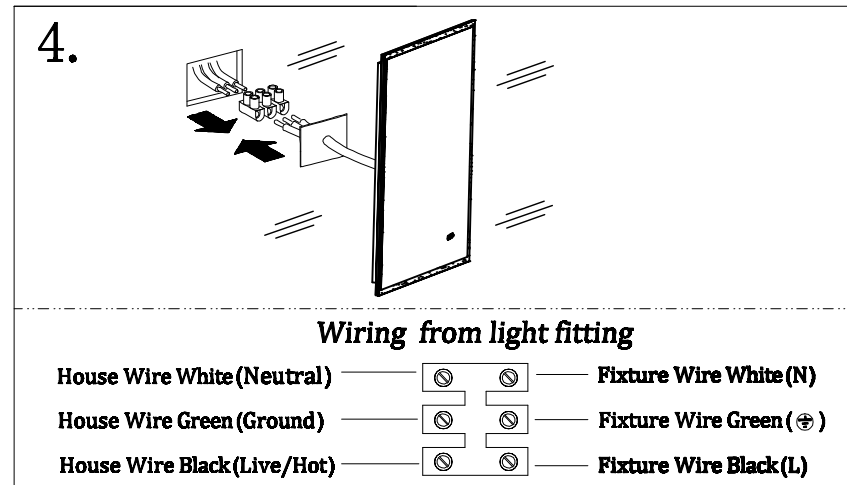
Wiring from light fitting:

House Wire Black(Live/Hot) to Fixture Wire Black(L)

House Wire White(Neutral) to Fixture Wire White(N)

House Wire Green(Ground) to Fixture Wire Green(⊕)

The input voltage required is 110V.



5. Hang the mirror on to the marked position, turn on the domestic electrical main power supply for the mirror light.

