

ARPELLA

Please Read Before Installation

Please read these instructions carefully before starting installation and keep in a safe place for future reference. Manufacturer recommends using a qualified Electrician for all electrical wiring procedures. Please turn off all power to site prior to installation.

Check the contents of the pack carefully before installation. Manufacturer is not responsible for removal/reinstallation costs where a defective product has been installed. If any fault is found with materials or workmanship, it must be reported immediately to the manufacturer. Remedial action will be taken, based on information received, on condition that.

- 1, Full details are supplied to the manufacturer,
 - 2 The product has not been modified or tampered with.
 - 3, The manufacturer is informed of any damage short ages prior to installation.
 - 4, The product has not been installed, or attempts have been made to install.
- We do not accept responsibility for any problems that may occur through incorrect installation.

IMPORTANT SAFETY INSTRUCTION

When using an electrical furnishing, basic precautions should always be followed, including the following:

Read all instructions before using (this furnishing).

DANGER - To reduce the risk of electric shock:

1. Always unplug this furnishing from the electrical outlet before cleaning or servicing.

WARNING - To reduce the risk of burns, fire, electric shock, or injury to persons:

2. Unplug from outlet before putting on or taking off parts.
3. Close supervision is necessary when this furnishing is used by, or near children, invalids, or disabled persons.
4. Use this furnishing only for its intended use as described in these instructions. Do not use attachments not recommended by the manufacturer.
5. Never operate this furnishing if it has a damaged cord or plug, if it is not working properly, if it has been dropped or damaged, or dropped into water. Return the furnishing to a service center for examination and repair.
6. Keep the cord away from heated surfaces.
7. Never operate the furnishing with the air openings blocked. Keep the air openings free of lint, hair, and the like.
8. Never drop or insert any object into any opening.
9. Do not use outdoors.

10. Do not operate where aerosol (spray) products are being used or where oxygen

is being administered.

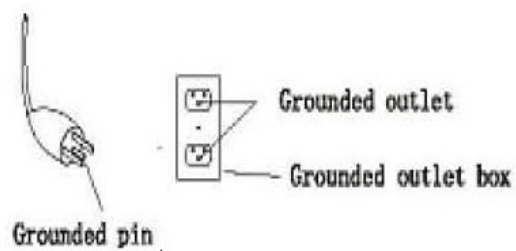
11. To disconnect, turn all controls to the off position, then remove plug from outlet.

12. For grounded products the following statement:

"WARNING: Risk of Electric Shock - Connect this furnishing to a properly grounded outlet only. See Grounding Instructions.

GROUNDING INSTRUCTIONS:

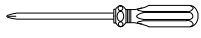
This product is for use on a nominal 120-volt circuit and has a grounding plug that looks like the plug illustrated below. Make sure that the product is connected to an outlet having the same configuration as the plug. No adapter should be used with this product.



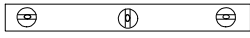
SAVE THESE INSTRUCTIONS

Installation Instructions

SUGGESTED TOOLS AND MATERIALS



Screwdriver



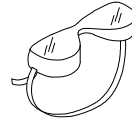
Level



Drill



Tape Measure



Safety Glasses



Pencil

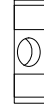
PARTS & HAREWARE INCLUDED



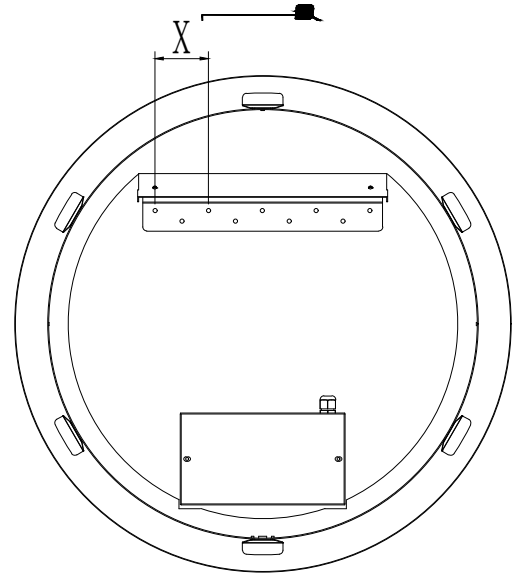
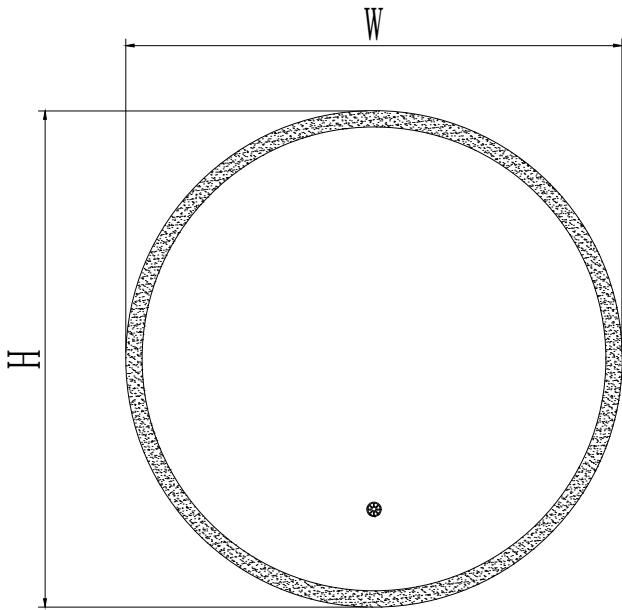
Anchor 6x



Screw 6x

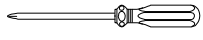


Level 1x



Installation Instructions

SUGGESTED TOOLS AND MATERIALS



Screwdriver



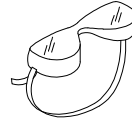
Level



Drill



Tape Measure



Safety Glasses

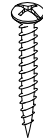


Pencil

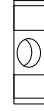
PARTS & HAREWARE INCLUDED



Anchor 6x



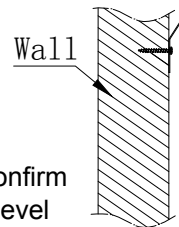
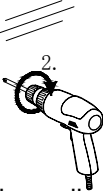
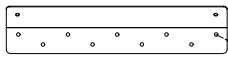
Screw 6x



Level 1x

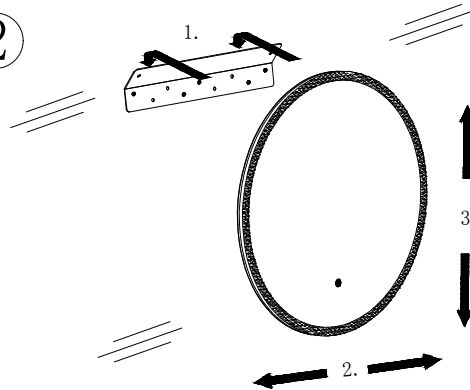
INSTALLATION INSTRUCTIONS

① Drywall



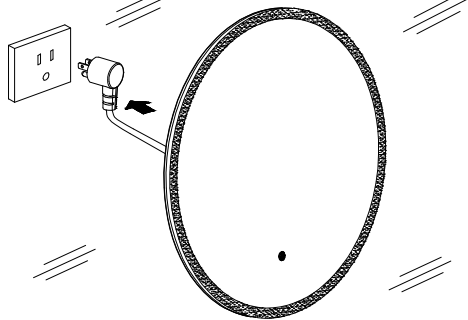
- 1>Put the hanging cleat on the wall, confirm the position of the hanging cleat, and level the hook with a level ruler
- 2>Use 5x45mm screws to hang cleat to wall(Use at least 5 screws).
- 3>When installing this product, the screws Must reach the wood studs behind the plasterboard wall.

②



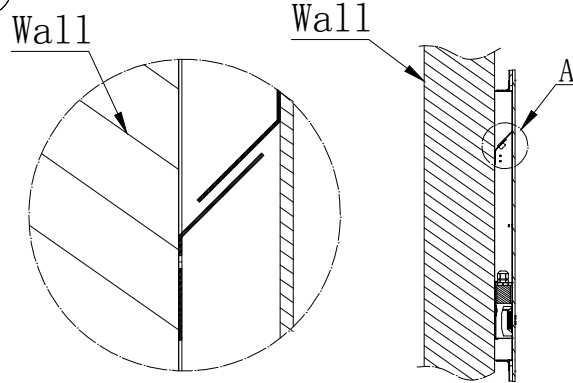
Hang the mirror onto the wall.

③



Plug into the socket which is located underside metal frame, and power cord was kept away from the Defogger

④



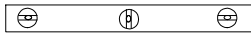
DETAIL A

Installation Instructions

SUGGESTED TOOLS AND MATERIALS



Screwdriver



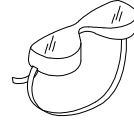
Level



Drill



Tape Measure



Safety Glasses

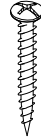


Pencil

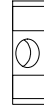
PARTS & HAREWARE INCLUDED



Anchor 6x



Screw 6x

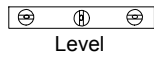


Level 1x

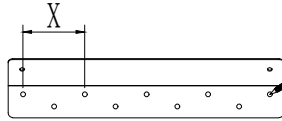
INSTALLATION INSTRUCTIONS

①

CONCRETE WALL
Clay Brick wall

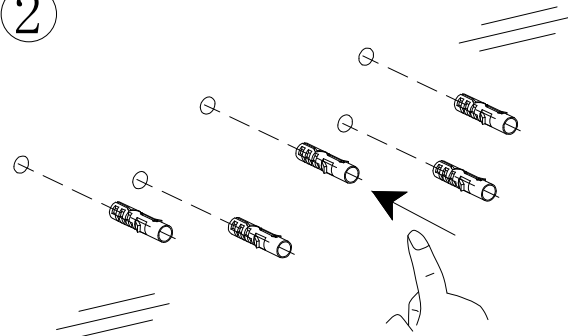


Level



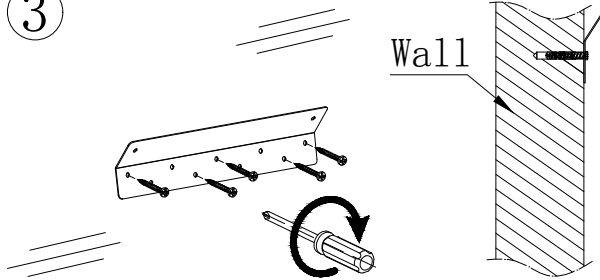
- 1>Level the hanging cleat with a level ruler and mark the installation hole position of the hanging cleat with a pencil
- 2>Drill holes

②



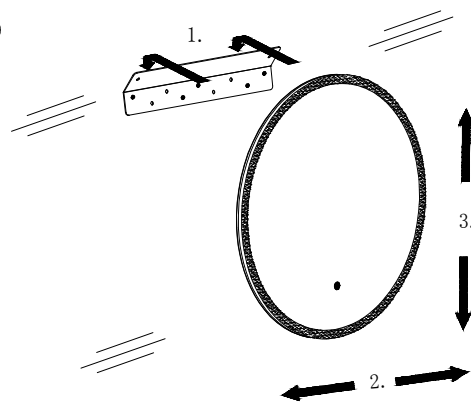
Insert the anchors into the wall(Use at least 5 anchors).

③



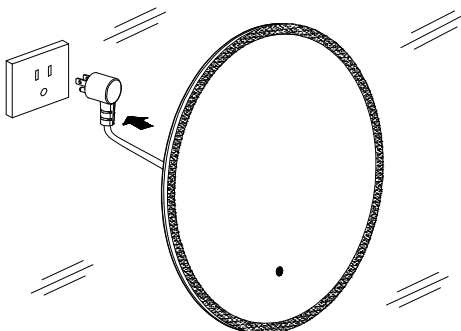
Install the hanging cleat onto the wall.
Use 5x45mm screws to hang cleat to wall(Use at least 5 screws).

④



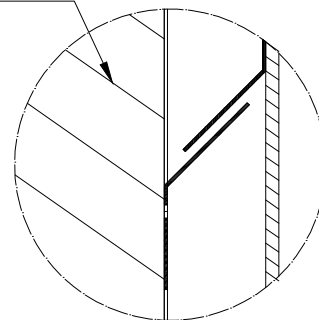
Hang the mirror onto the wall.

⑤



Plug into the socket which is located underside metal frame, and power cord was kept away from the Defogger

Wall



DETAIL A

Wall

