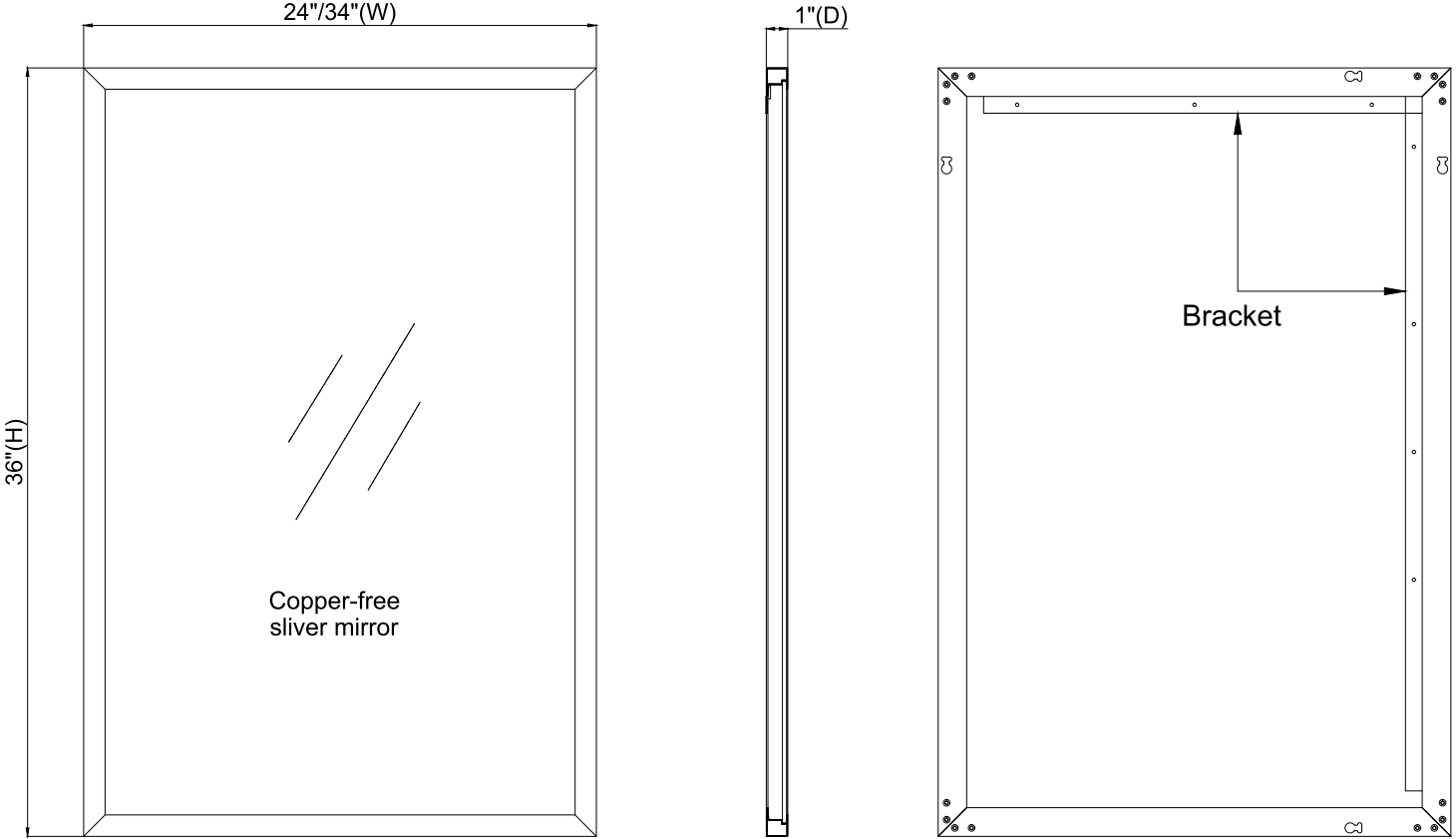


ARPELLA

INSTALLATION INSTRUCTIONS

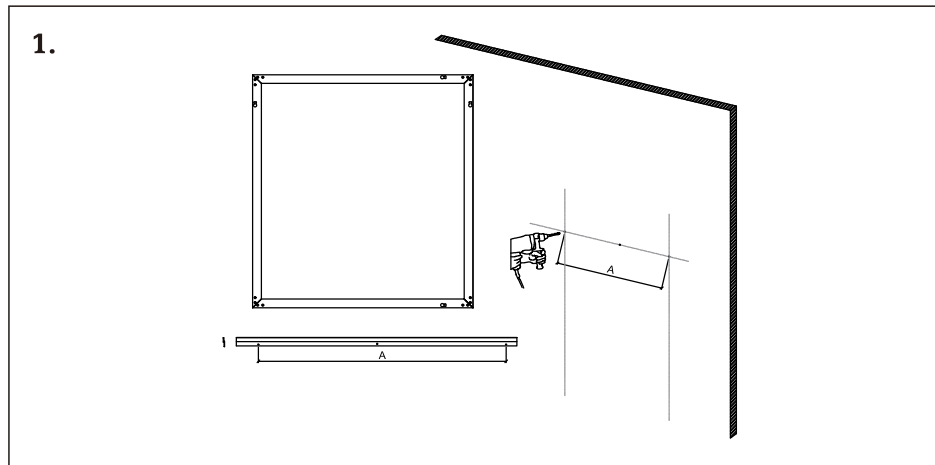
BFRM2436/BFRM3436/CHFRM2436/CHFRM3436



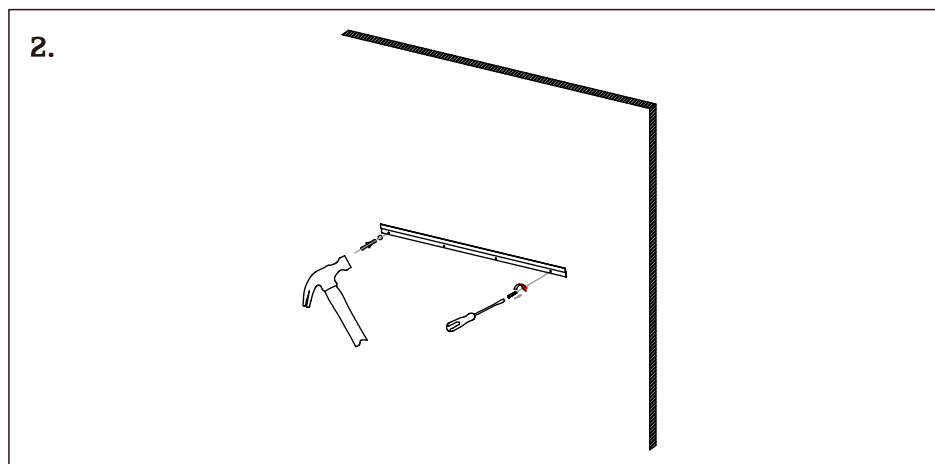
ARPELLA

INSTALLATION INSTRUCTIONS

Installation procedure



1. Before your installation, keep the plastic corner protectores on until installation is fully completed. Measure the distance A of bracket, and drill holes in the marked positions by using a suitable tool.

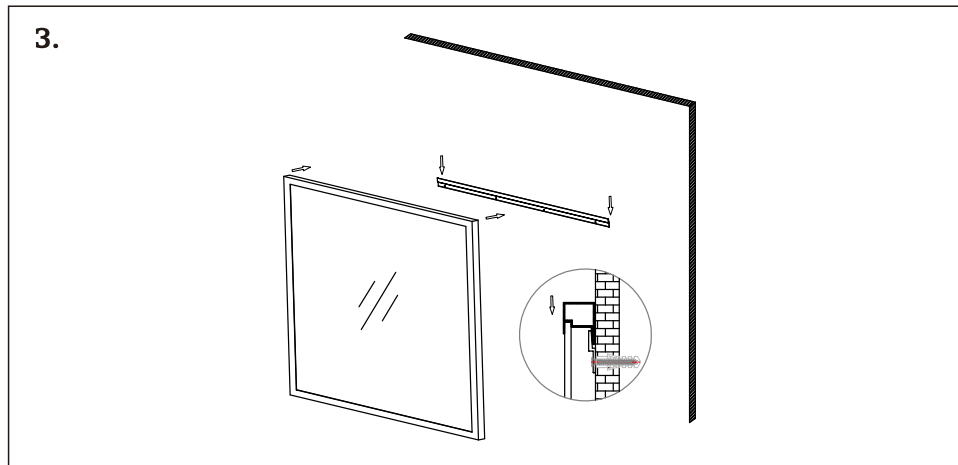


2. Insert the wall plugs on the surface of the wall. After that, fasten the supplied screws into wall plugs.

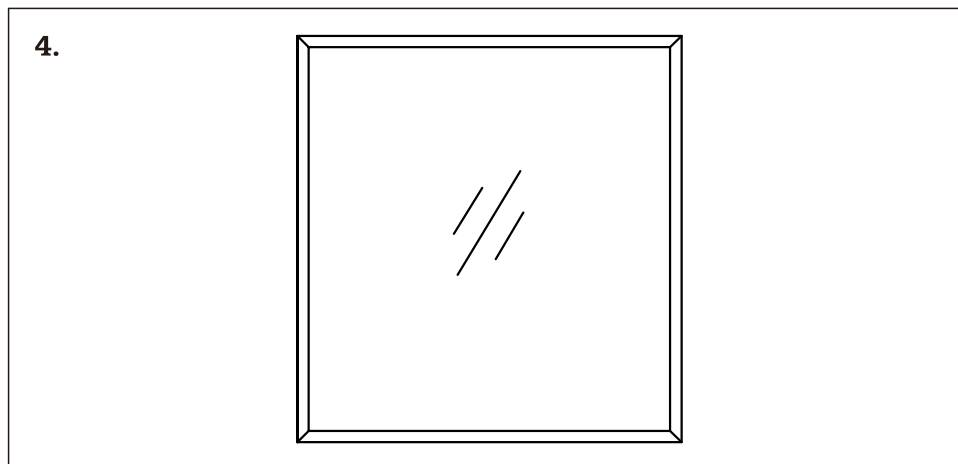
ARPELLA

INSTALLATION INSTRUCTIONS

Installation procedure



3. Directly hang the mirror on the bracket.



4. Hang the mirror on the bracket, peel off protective film. It is recommended that the product is cleaned with a soft, dry non abrasive cloth. Do NOT use cleaning agents or abrasive materials on any type of finished surface.