

Arpella

INSTALLATION INSTRUCTIONS

Please Read Before Installation

Please read these instructions carefully before starting installation and keep in a safe place for future reference.

It is recommended to use a qualified electrician for all electrical wiring procedures.

Please turn off all power to site prior to installation.

Check the contents of the package carefully before installation and disposal of packaging.

Mirror must be wired directly to a dimmable wall switch to operate the dimming feature on the mirror.

Mechanical switch located on the bottom of the mirror must remain on when operating the mirror with the wall switch.

The defogging feature will deactivate when the mirror is dimmed.

Electrical information of LED Mirror						
Item Code	Product Size (inch)	Input Voltage	Electric Power of Mirror (Watt)	Lumens	Colour temperature (Kelvin)	Life expectancy of LED Strip (Hour)
LEDPLM2436	24" W x 36" H	110V	72W	2770	5000K	50,000
LEDPLM3436	34" W x 36" H	110V	102W	3280	5000K	50,000
LEDPLM4836	48" W x 36" H	110V	145W	4020	5000K	50,000
LEDPLM6036	60" W x 36" H	110V	180W	4630	5000K	50,000
LEDPLM7036	70" W x 36" H	110V	209W	5130	5000K	50,000

IMPORTANT SAFETY INSTRUCTION

When using an electrical furnishing, basic precautions should always be followed, including the following:

Read all instructions before using this product.

DANGER – To reduce the risk of electric shock:

1. Always suspend power to mirror before servicing the item if service is needed.

2. Close supervision is necessary when this mirror is used by or near children, invalids, or disabled persons.

3. Use this furnishing only for its intended use as described in these instructions. Do not use attachments not recommended by Arpella.

5. Never operate this furnishing if it has a damaged cord or plug, if it is not working properly during testing, if it has been dropped or damaged, or exposed to water.

6. Keep the cord away from heated surfaces.

7. Never drop or insert any object into any opening in the electrical box.

8. This product is not intended for use outdoors.

9. To disconnect, turn all controls to the off position, then suspend power to the mirror.

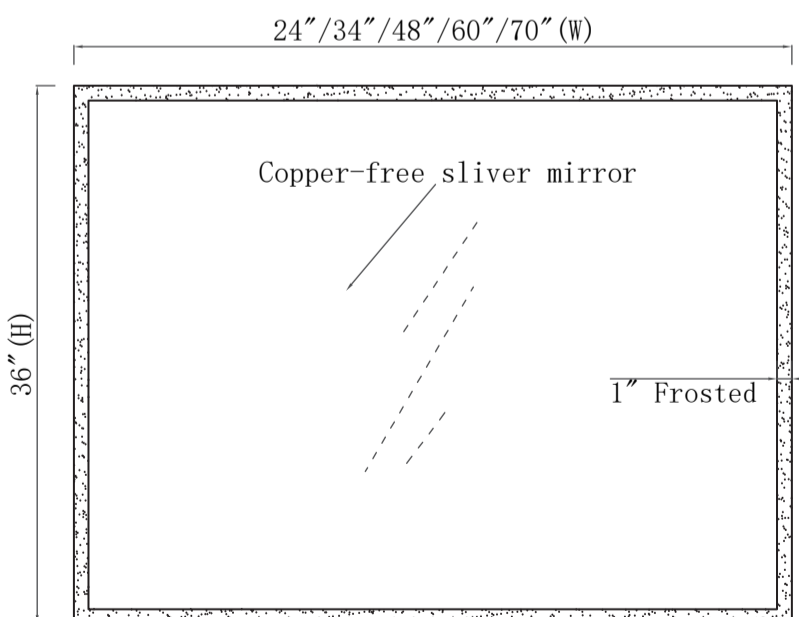
" WARNING: Risk of Electric Shock – Connect this furnishing to a properly grounded outlet only. See Grounding Instructions.

Page 1

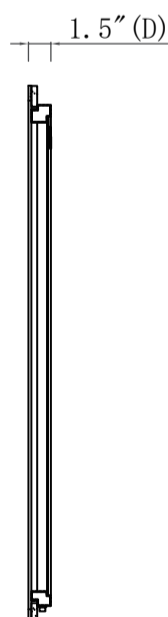
Arpella

INSTALLATION INSTRUCTIONS

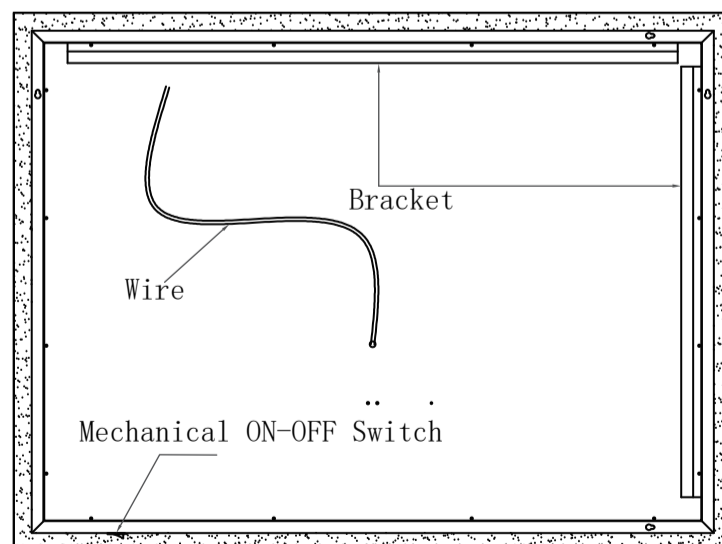
LEDPLM2436/LEDPLM3436/LEDPLM4836/LEDPLM6036/LEDPLM7036



Front View



Side View



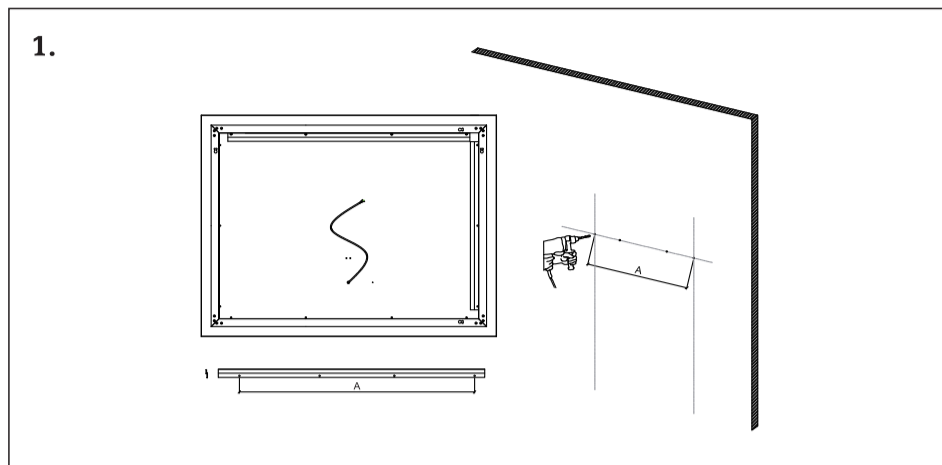
Back

Page 2

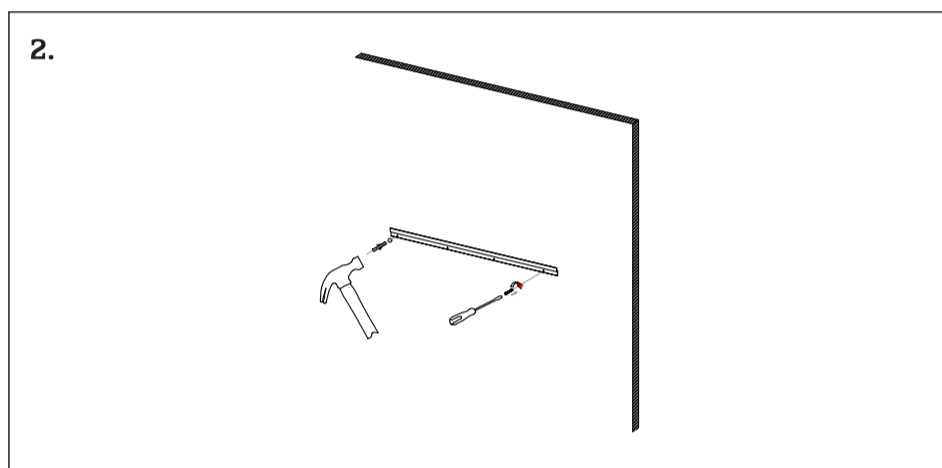
Arpella

INSTALLATION INSTRUCTIONS

Installation procedure



1. Before your installation, make sure the location of the mirror is suitable, ensuring that the domestic main power supply is within reach of the electrical entry point of the mirror. Mounting bracket must be attached to wall stud. Measure the distance A and drill holes in the marked positions by using a suitable tool.



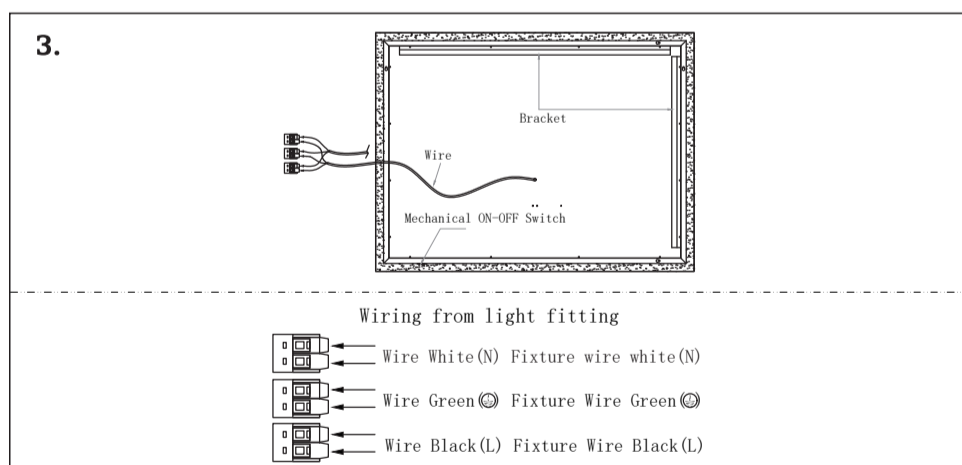
2. Insert the wall plugs on the surface of the wall. After that, fasten the supplied screws in to wall plugs. Attach the mounting bracket to the wall.

Page 3

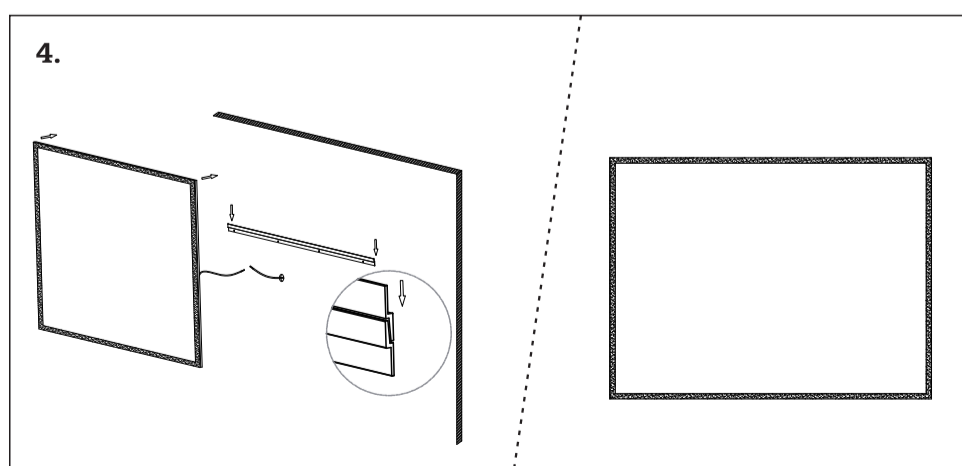
Arpella

INSTALLATION INSTRUCTIONS

Installation procedure



3. You must have a Junction box in the wall. Carefully connect the Hard Wire to the mirror fixture wires. Please ensure the main electrical supply has been powered off to complete installaion. Wiring from light fitting:
 House Wire Black (Live/Hot) to Fixture Wire Black
 House Wire White (Neutral) to Fixture Wire White
 House Wire Green (Ground) to Fixture Wire Green
 The input voltage required is 110V.



4. Hang the mirror on the bracket, peel off protective film and clean the mirror with a soft, dry non abrasive cloth. After that, turn on the domestic electrical main power supply for the mirror light.

Page 4