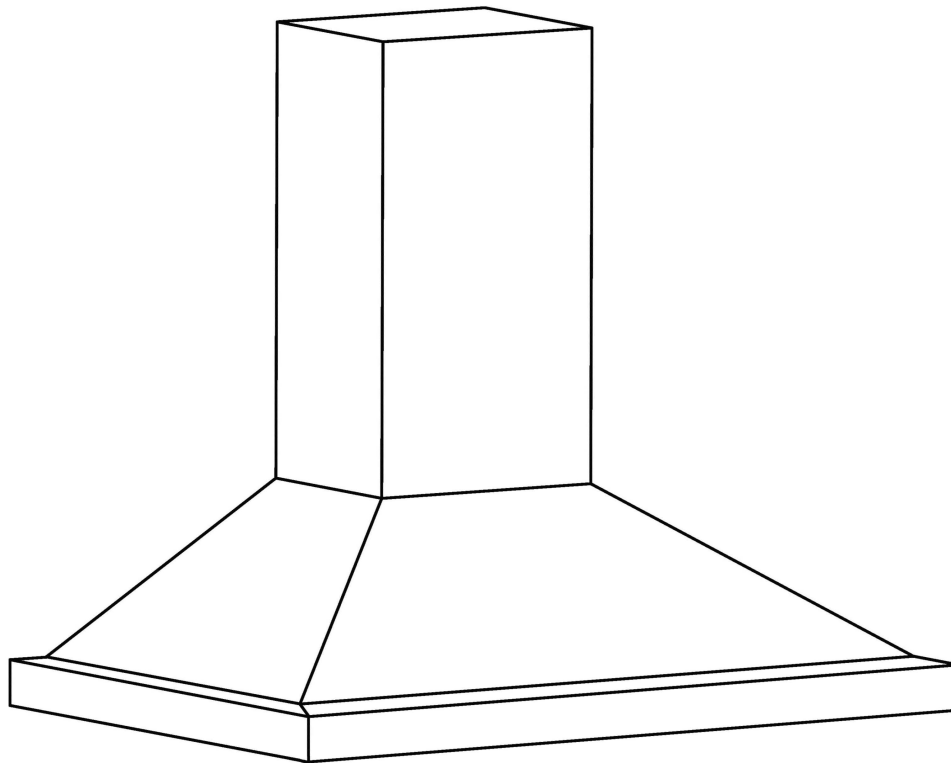


WALL MOUNT RANGE HOOD

Installation Manual



IMPORTANT NOTICE:

Read and save these instructions.

Installer: Leave this guide with the homeowner.

Homeowner: Keep this guide for future reference.



16805-2019-d

Table of Contents

INSTALLATION

Safety Notice	1-2
Specifications	3
Parts Supplied	4
Tools Required	5
Venting Requirements	6
Venting Methods	7
Height Clearances & Duct Size Calculator	8
Charcoal Filter Installation & Electrical Requirements	9
Preparation	10
Installation Overview	11
Installation	11-14

USE AND CARE

Range Hood Operations	15
Troubleshooting	16
Use and Care Information	17
Electric Schematic	18

MAINTENANCE

Cleaning, Replacing Filter & Lightbulb	19-20
--	-------

WARRANTY

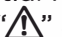
Coverage & Exceptions	21
Disclaimer	22
Contact Information	22

Important Safety Notice

READ ALL INSTRUCTIONS BEFORE INSTALLING AND OPERATING THIS APPLIANCE


Your safety and the safety of others is very important. We have provided many important safety messages in this manual and on your appliance. Always read and obey all safety messages. All safety messages will tell you what the potential hazard is, tell you how to reduce the chance of injury, and tell you what can happen if the instructions are not followed.

WARNING

This is the safety alert symbol. This symbol alerts you to potential hazards that can hurt you and others. All safety messages will follow the safety alert symbol “” and the word “WARNING”.

**WARNING**
Excessive Weight
Require three or more persons to move and install this range hood. Spinal or other bodily injuries could occur if it is not followed.

**WARNING**
Severe Injury
Rotating fan can cause severe injury. Stay clear of fan when power is present.

**WARNING**
Hazard of electrical shock!
Do not perform service on an electrically live system. Disconnect the main electrical supply before servicing this device. Touching electrical connectors or other exposed electrical circuitry inside this range hood when they are energized could result in death, serious bodily injury, or property damage.

**WARNING** **Hazard of Burns!**
Light bulb become extremely hot when turned on. DO NOT touch bulb until switched off and cooled. Touching hot bulbs could cause serious burns.

The manufacturer and/or distributor/reseller declines all responsibility in the event of failure to observe the instructions given here for installation, maintenance and suitable use of the product. The manufacturer and/or distributor/reseller further declines all responsibility for injury due to negligence and the warranty of the unit automatically expires due to improper maintenance. The manufacturer and/or distributor/reseller will not be held responsible for any damages to personal property or real estate or any bodily injuries whether caused directly or indirectly by the range hood.

- The installation in this manual is intended for qualified installers, service technicians or persons with similar qualified background. Installation and electrical wiring must be done by qualified professionals and in accordance with all applicable codes and standards, including fire-rated construction.
- **DO NOT** attempt to install this appliance yourself. Damage or Injury could result from installing the unit due to lack of appropriate electrical and technical background.
- Due to the size and weight of this range hood, at least two people are recommended for installation to reduce the risk of fire, electric shock, or injury to persons.
- Range hood may have very sharp edges; wear protective gloves if it is necessary to remove any parts for installing, cleaning or servicing.
- Ensure any nearby electrical service are OFF and stay OFF until the completion of installation to reduce the risk of electrical shock, short-circuit, electrical spark which may cause injury or damage.
- For general ventilating use only. **DO NOT** use to exhaust hazardous or explosive materials and vapors.
- In order to ensure the safe operation of fuel-burning heating equipment, it's air flow needs to be to be considered for proper combustion. Follow the heating equipment manufacturer's guideline and safety standards such as those published by the National Fire Protection Association (NFPA), and the American Society of Heating, Refrigeration and Air Conditioning Engineers (ASHRAE), and the local code authorities.
- To reduce the risk of fire and to disperse air properly, make sure to vent air outside. Sufficient household air flow is required for the proper combustion of fuel-burning heating equipment, and the exhaustion of their gases.

Important Safety Notice

- Ducted fans **MUST** always be vented to the outdoors.
- **DO NOT** vent exhaust into spaces between walls, crawl spaces, ceiling, attics or garages.
- Any old duct work should be cleaned or replaced if necessary to avoid the possibility of a grease fire. Check all joints on duct work to insure proper connection and all joints should be properly taped.
- Use only metal ductwork and this unit **MUST** be grounded.
- Before servicing or cleaning unit, switch power **OFF** at service panel and lock service panel to prevent power from being switched **ON** accidentally.
When cutting or drilling into wall or ceiling, be careful not to damage electrical wiring or other hidden utilities.
All electrical wiring must be properly installed, insulated and grounded.
- Use this unit only in the manner intended by the manufacturer. If you have questions, contact the vendor.
- **DO NOT** touch the bottom side of the range hood directly after usage because it may be hot. Wait until it has cooled.
- Make sure to inspect shipment and it's contents as soon shipment is received.
- Plug in and test range hood and all its functions, (refer to Range Hood Operations, Page 15), directly after receiving shipment, and before scheduling an installer.

TO REDUCE THE RISK OF A STOVE TOP GREASE FIRE:

- Clean grease laden surfaces frequently.
- Clean ventilating fan frequently.
- Keep all surfaces clean from grease or oil build up.
- Grease should not be allowed to accumulate on fan, baffle, spaces, filter, grease tunnel and oil container.
- Always turn range hood **ON** when cooking at high heat or when cooking flaming foods. Use high settings on cooking range only when necessary.
- Never leave burners or cooktop at high settings unattended. Boil overs cause smoking and greasy spillovers that may ignite. Heat oils slowly on low or medium settings.
- Always use appropriate cookware and utensils size.
- Always use cookware appropriate for the size of the surface element.

TO REDUCE THE RISK OF INJURY TO PERSONS IN THE EVENT OF A STOVE TOP GREASE FIRE:

- **SMOTHER FLAMES** with a close-fitting lid, cookie sheet, or metal tray, then turn **OFF** the burner. **BE CAREFUL TO PREVENT BURNS. NEVER PICK UP A FLAMING PAN—you may be burned. KEEP FLAMMABLE OR COMBUSTIBLE MATERIAL AWAY FROM FLAMES.** If the flames **DO NOT** go out immediately, **EVACUATE AND CALL THE FIRE DEPARTMENT** or dial your local emergency service immediately.
- **DO NOT USE WATER**, including wet dishcloths or towels — a violent steam explosion may result.
- Use an extinguisher **ONLY** if:
 - You know you have a Class A, B, C extinguisher, and you already know how to operate it.
 - The fire is small and contained in the area where it is started.
 - The fire department is being called.
 - You can fight the fire while maintaining a safe exit path.

TO REDUCE THE RISK OF INJURY TO PERSONS IN THE EVENT OF A GAS LEAKS:

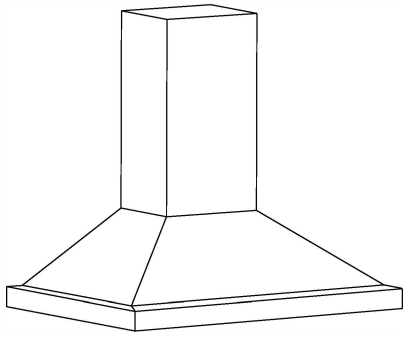
- Extinguish any open flame.
- **DO NOT** turn on the range hood fan or any type of ventilator.
- **DO NOT** turn on the lights or any type of appliance.
- Open all doors and windows to disperse the gas. If you still smell gas, call the gas company and fire department, or dial your local emergency service immediately.

Specifications

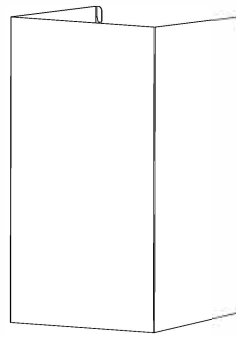
Body Material	Stainless Steel, Brushed Finish
Overall Voltage	115V/60Hz
Maximum Power Usage	88W
Lighting Wattage	1.5W(x2)
Lamp Type	LED
Motor Power	85W
Motor Speed	1388 to 2237 RPM, 3 Levels
Motor Type	Induction, Ultra Quiet
Fan Type	Centrifugal
Maximum Airflow	400 CFM
Air Pressure	128 pa
Noise Level (dB / Sone)	44.25 to 56.48 dB
Ducting / Venting	6 inches, Round, Top Venting
Control Type	Push Button Switch Panel
Protections	Electrical Short Fuse
Filtration Type	Stainless Steel Baffle Filter

** Subject to change without notice, please contact your local reseller for details.*

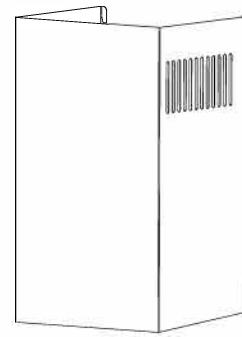
Parts Supplied



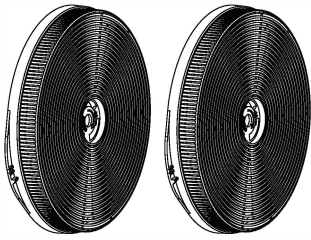
Range Hood



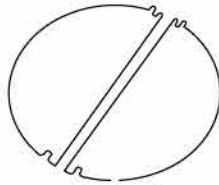
Lower Chimney



Upper Chimney



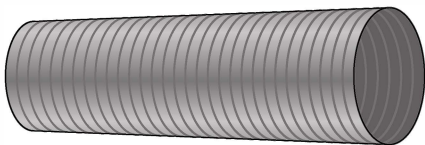
Charcoal Filter
(Sold Separately)



Draft Damper Flaps



Chimney
Mounting Bracket



Flexible Duct Tube



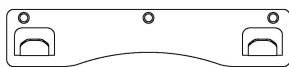
A

Qty: 9 PCS



B

Qty: 2 PCS



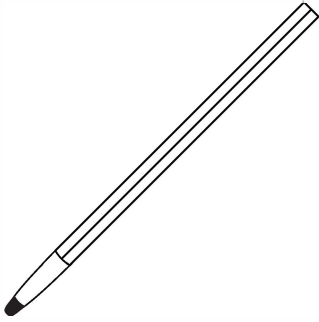
Range Hood Hook



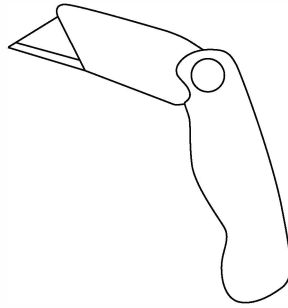
C

Qty: 9 PCS

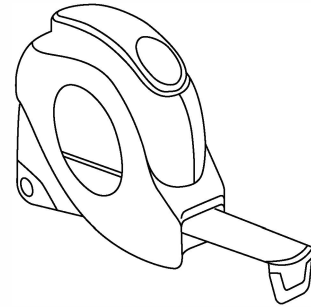
Tools Needed



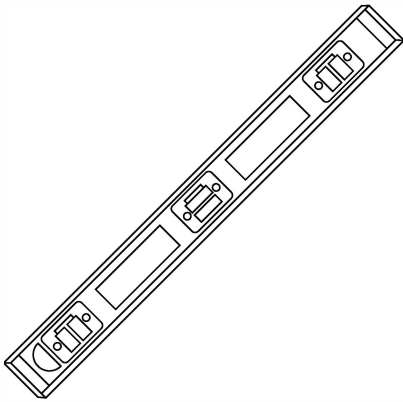
Marker or Pencil



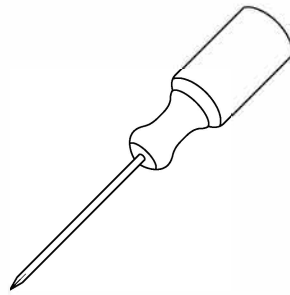
Utility Knife



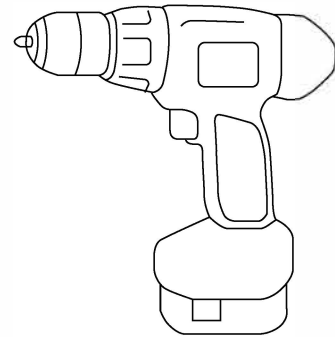
Measuring Tape



Level



Flat & Phillips
Screwdrivers



Powered Drill

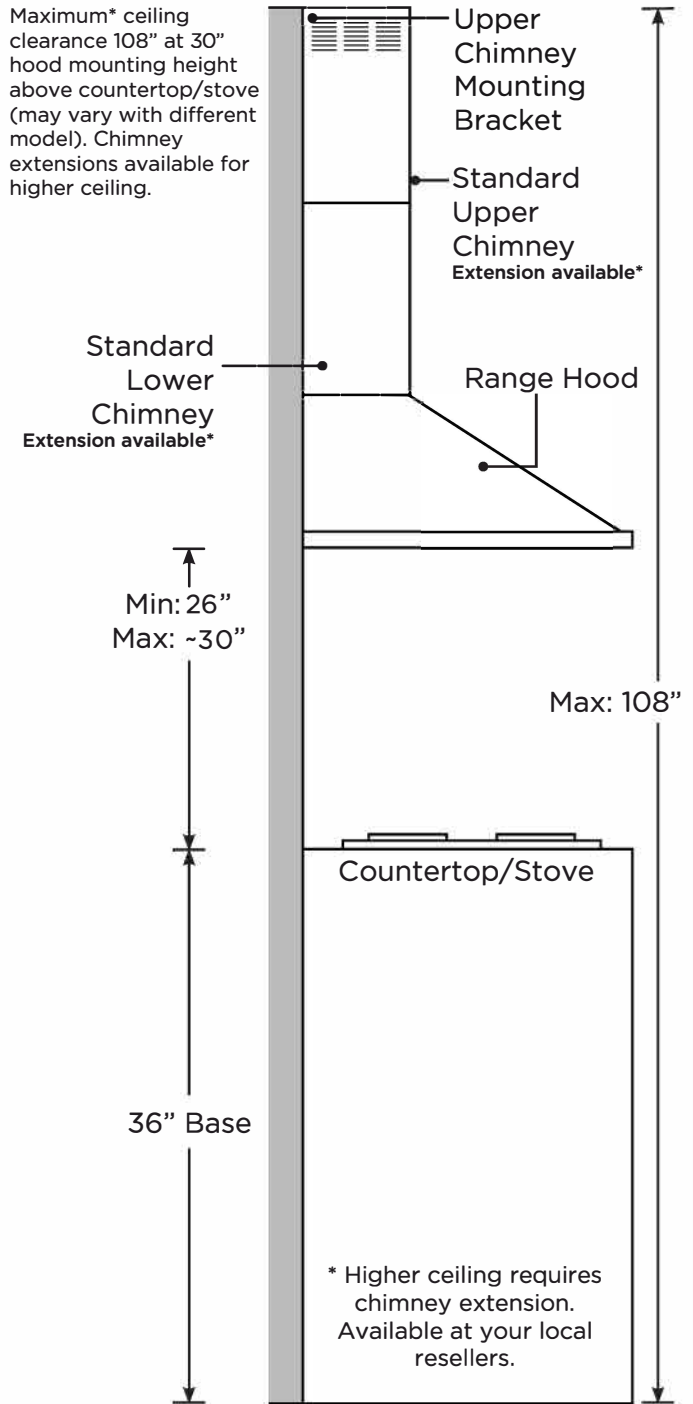
Venting Requirements

- Vent system must terminate to the outside (roof or side wall).
- DO NOT terminate the vent system in an attic or other enclosed area.
- DO NOT use 4" (10 cm) laundry-type wall caps.
- Use metal/aluminum ducting only. Rigid metal/aluminum ducting is recommended.
- Always keep the duct clean to ensure proper airflow.
- Calculate the following figures before installation:
 1. Distance from the floor to the ceiling. *(less than 108").
 2. Distance between the floor to the countertop/stove. (Recommend 26" to about 30").
 3. Distance between the countertop/stove to the range hood. (Recommended 26" to ~30").
 4. Height of range hood body and chimney covers combined. (Extension available*)

For the most efficient & quiet operation:

- A distance of 26" to 30" is recommended between stove top and the bottom of range hood.
- 26" is the lowest recommended for safe operation; 30" is only recommended for efficient operation, but can be mounted higher."
- It is recommended that the range hood be vented vertically through the roof through 6" (15 cm) or larger round metal/aluminum vent work.
- The size of the vent should be uniform.
- Use no more than three 90° elbows.
- For best results, attempt to make a minimum of 24" (61 cm) of straight vent between the elbows if more than one elbow is used.
- DO NOT install two elbows together.
- The length of vent system and number of elbows should be kept to a minimum to provide efficient performance.
- The vent system must have a damper. If roof or wall cap already has a damper, DO NOT use the supplied damper (if applicable).

Height & Clearance



- Use duct tape or equivalent to seal all joints in the vent system.
- Use caulking to seal exterior wall or roof opening around the cap.

* Due to different ceiling height configurations, recommended height may not be applicable.

Venting Methods

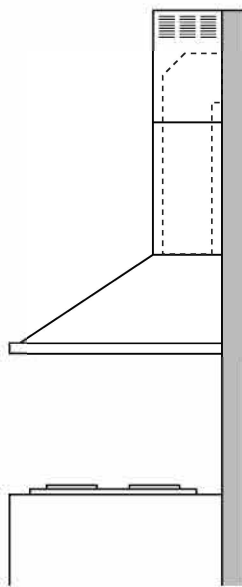
- This range hood is factory set for venting through the roof or wall.
- Vent work can terminate either through the roof or wall. To vent through a wall, a 90° elbow is needed.

IMPORTANT:

- NEVER exhaust air or terminate duct work into spaces between walls, crawl spaces, ceiling, attics or garages. All exhaust must be ducted to the outside.
- Use metal/aluminum duct work only.
- Fasten all connections with sheet metal screws and tape all joints with certified duct tape or equivalent.
- Use caulking to seal exterior wall or roof opening around the cap.

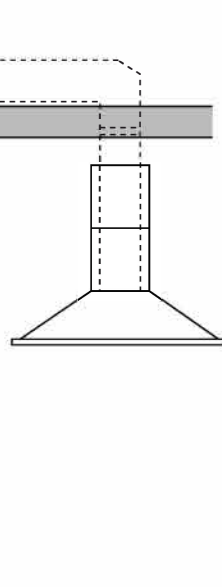
Horizontal Wall Venting

Option 1:

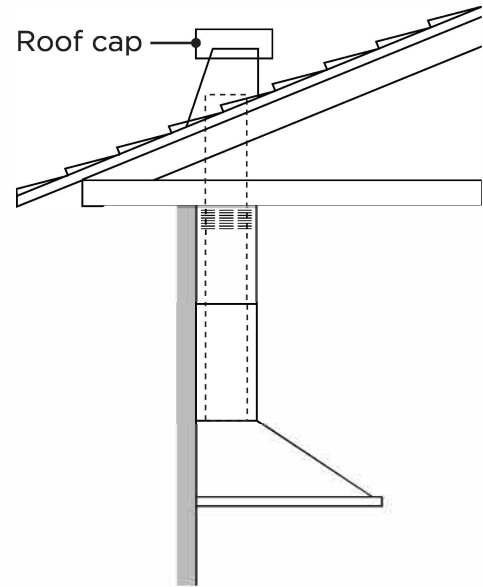


Side wall cap

Option 2:



Vertical Roof Venting



Roof cap

Height & Clearance

IMPORTANT:

- A minimum of 6" round (standard for this range hood) must be used to maintain maximum airflow efficiency.
- A flexible 6" round duct is provided for convenience and for use in difficult installations, however always attempt to use a smooth metal/aluminum rigid type of ducting to maximize airflow efficiency.
- ALWAYS, when possible, reduce the number of transitions and turns. If long duct run is required, increase duct size to 7" or 8". If a reducer is used, install a long reducer instead of a pancake reducer. Any reductions of duct size will restrict and decrease airflow; to maximize airflow flow efficiency place any reducers furthest away from any bends or transitions.
- If turns or transitions are required, install them as evenly distanced as possible, and as far away from the range hood as possible.
- Please use the Duct Size Upgrade Calculator below to compute the total available duct run when using elbows, transitions and caps.
- It is important to install the hood at the proper mounting height. Hoods mounted too low is considered unsafe and could result in heat damage and fire hazard; while hoods mounted too high are harder to reach and will loose general effectiveness.
- Minimum mount height between stove top to hood bottom should be no less than 26" Any less is considered unsafe and not recommended.
- Maximum mount height between stove top to hood bottom can be higher than 30" but is recommended to be the best efficiency. (Extension available*)
- If available, also refer to stove top manufacturer's height clearance requirements and recommended hood mounting height above range.

** Due to different ceiling height configurations, recommended height may not be applicable.*

Minimum Duct Size:

- Round - 6" minimum

Duct Size Upgrade Calculator

Minimum duct size recommended is 6" round. Maximum duct length recommend is 50 ft. Any duct length over 50 ft is recommended to use a larger diameter duct size.

Survey the installation application and record the estimated length of ducting required or used for that application. Record the number of bends, angle of bends, and/or any transitional pieces used. Each bend or transition will reduce air flow and reduce the recommended duct length.

Duct Deductions:	
Each 90° bend	9 ft
Each 45° bend	5 ft
Each 6" to 3 1/4" x 10" transition	7 ft
Side wall cap with damper	1 ft
Roof Cap (with factory Damper)	1 ft

Duct Deduction Calculation Example:

(1) 90° bend, (1) 3 1/4" x 10" transition, (2) 45° bends, (1) sidewall cap with damper (with factory damper not installed)
 $-9\text{ft} + -7\text{ft} + -5\text{ft} + -5\text{ft} + -1\text{ft} = -27\text{ft}$

Deduct 27 ft from 50 ft, giving you 23 ft of available straight ducting before it is recommended to upgrade your ducting size.

Charcoal Filter Installation

NOTE: OPTIONAL CHARCOAL FILTERS (SOLD SEPERATELY)

1. Remove grease filters from the hood.
2. Position the charcoal filters onto both side of the motor housing , aligning the mounting points, turn until it locks. Re-install baffle filters.
3. Charcoal filters must be replaced after 120 hours of use (or approximately every 2 to 3 months based on the average of 1 to 2 hours of daily cooking time). Available at your local resellers.

Electrical Requirements

IMPORTANT: Observe all governing ordinances and local codes.
(Please consult with a qualified electrician for any electrical wiring)

It is the customer's responsibility:

- To contact a qualified electrical installer.
- To assure that the electrical installation is adequate and in conformance with National Electrical Code, ANSI/NFPA 70 — latest edition*, or CSA Standards C22. 1-94, Canadian Electrical Code, Part 1 and C22. 2 No. 0-M91 - latest edition** and all local codes and ordinances.
- Provide a circuit protected power service; preferably a Ground Fault Circuit Interrupter ("G.F.C.I."): 120-volt, 60 Hz, AC, with at least 2-amps of available service.
- Enlist a qualified electrician to ensure the range hood and electrical lines are adequately grounded and properly protected. **NEVER** electrically ground to a gas pipe.

IMPORTANT: Save this Installation Guide for future reference and/or electrical inspector use.

The range hood should be connected with a circuit breaker protected power service.

Wire sizes (copper wire only) and connections must conform with the rating of the appliance as specified on the model/serial rating label. Wire sizes must conform to the requirements of the National Electrical Code ANSI/NFPA 70 — latest edition*, or CSA Standards C22. 1-94, Canadian Electrical Code Part 1 and C22. 2 No. 0-M91 - latest edition** and all local codes and ordinances. A U.L. - or C.S.A. - listed conduit connector must be provided at each end of the power supply cable (at the range hood and at the junction box).

Copies of the standards listed may be obtained from:

* National Fire Protection Association
Batterymarch Park
Quincy, Massachusetts 02269

** CSA International
8501 East Pleasant Valley Road
Cleveland, Ohio 44131-5575

Preparation

Advanced Preparations:

1. Familiarize yourself with the controls of the range hood by reading through Range Hood Operations, Page 15.
2. Place the range hood on a flat, stable surface. Connect the range hood to a designated standard outlet (please refer the product label for the suitable voltage of this unit) and turn on the range hood. Verify all operations of the range hood by referring to Range Hood Operations, Page 15.
3. Place all supplied parts and required hardware on a flat, stable surface and verify the presence of all supplied parts listed on Page 4.
4. Carefully remove the white plastic protective coat from the chimney covers and range hood.
5. Determine whether your household ducting has a draft damper system; only 1 draft damper system is recommended for proper efficiency.
6. Determine if you will be using the draft damper system on the range hood. Install them onto the range hood before starting the installation. If you are using a draft damper system within the household ducting, the draft dampers do not need to be used on the range hood.

Preparations:

1. **NOTE: To avoid damage to your hood, prevent debris from entering the vent opening.** Determine and mark the center line on the wall where the range hood will be installed. Make sure there is proper clearance within the ceiling or wall for exhaust vent.
2. Due to the weight and size of this unit, please make sure that the support system or framework being used is stable and secure in the wall or ceiling.
3. Put a thick, protective covering over counter top, cook top or range to protect from damage or dirt. Remove any hazardous objects around the area when installing.
4. Mark the locations of the support mounting bracket holes, ducting cutout (if used) and power supply cable cutout on the wall or ceiling behind the chimney. Use drill and saber saw or keyhole saw to cut openings for power supply cable and ducting (see *Venting requirements* and *Electrical requirements*, Pages 9).
5. If venting to the outside install vent system (see *Venting Methods*, Page 7). Use caulking to seal exterior wall or roof openings.
6. Disconnect main electrical supply, prepare and run electrical wiring through ceiling or wall. Install a power outlet within reaching distance of the range hood assembly. DO NOT restore power until installation is completed.
7. Disconnect power cord, remove the baffle filter by pressing on the latch toward the direction of solid arrow while holding the metal handle, gently pull the aluminum filter toward the direction of dashed arrow as shown in Figure 1.
8. Set aside the baffle filters and grease cup until the range hood is properly installed.
9. *If the range hood comes with a glass canopy and has not already been mounted to the hood, loosen the four canopy screws and washers from the hood top, carefully place the canopy on the hood top, and loosely tighten the four canopy screws along with washers. DO NOT put excessive pressure against the glass.*

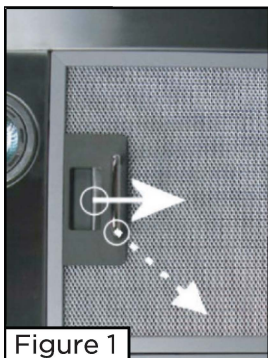
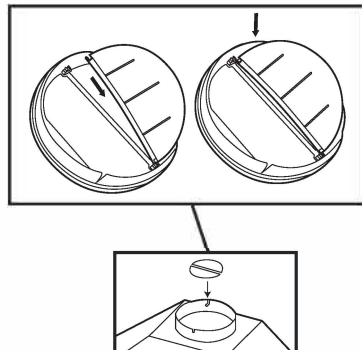


Figure 1



WARNING

Excessive Weight

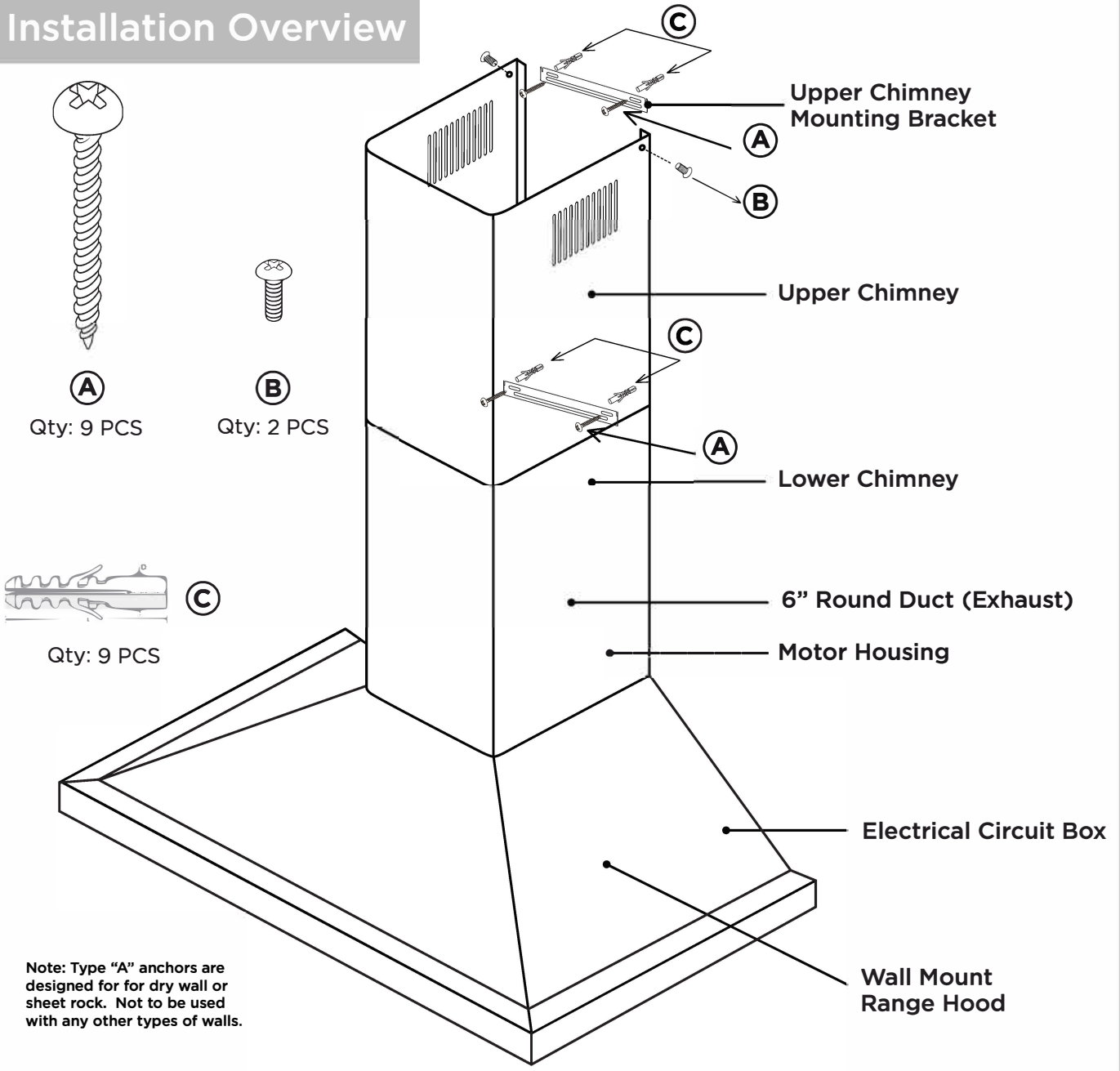
Require three or more persons to move and install this range hood. Spinal or other bodily injuries could occur if it is not followed.

WARNING

Severe Injury

Rotating fan can cause severe injury. Stay clear of fan when power is present.

Installation Overview




Installation

1. Confirm where you want your range hood installed

Confirm your centerline and side measurements of each piece of hardware. Use removable tape, pencil, or erasable marker to mark your ideal installation. Measure the distance between the stovetop and the bottom edge of your range hood and then confirm the recommended height of 26" to 30"*; Mark where the bottom of your range will be installed.

**Due to different ceiling height configurations, this recommended height range may not be applicable.*



WARNING
Hazard of electrical shock!
 Do not perform service on an electrically live system. Disconnect the main electrical supply before servicing this device. Touching electrical connectors or other exposed electrical circuitry inside this range hood when they are energized could result in death, serious bodily injury, or property damage.

Installation (Continued)

2. Determine mounting bracket offset height

Temporarily fit the range hood mounting bracket on to its mounting position on the range hood assembly; note its orientation and how it mounts on to the range hood body. Measure the distance from the bottom edge of the range hood mounting bracket. Use that measurement to mark the location of the range hood mounting bracket on your installation surface.

3. Mark screw hole locations

Using your marked location of the bottom of the range hood, measure upward the distance of the mounting bracket offset, found in the previous step. Mark in the center of the installation surface, this will be your center screw location. Using the bracket centered on the wall with a level, mark the location of the other screws. Using a powerdrill, pre-drill the screw hole locations ensuring you do not drill into any power cables, wires or pipes.

4. Install the mounting bracket

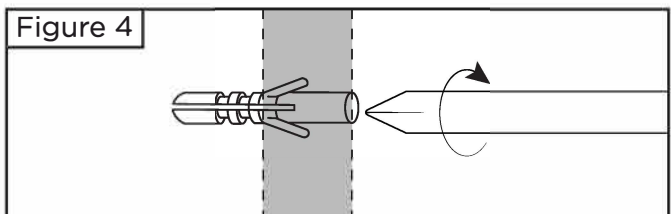
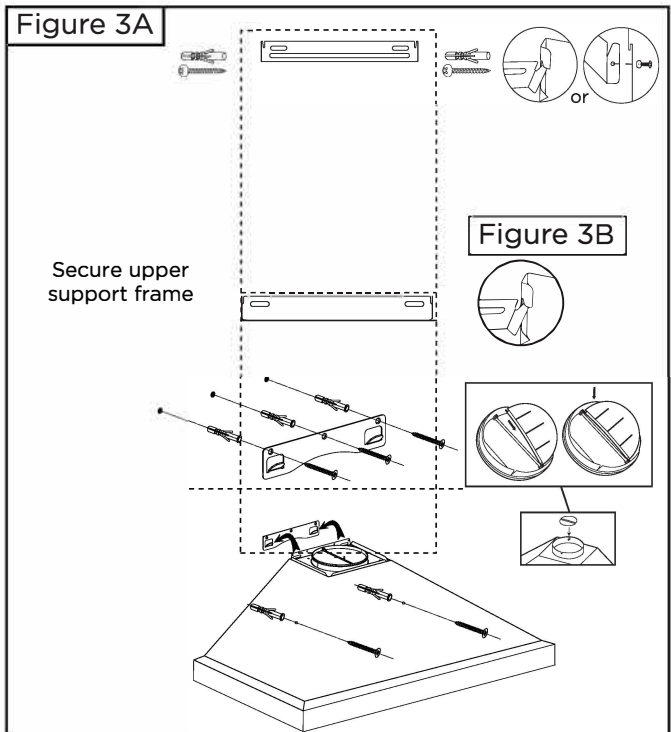
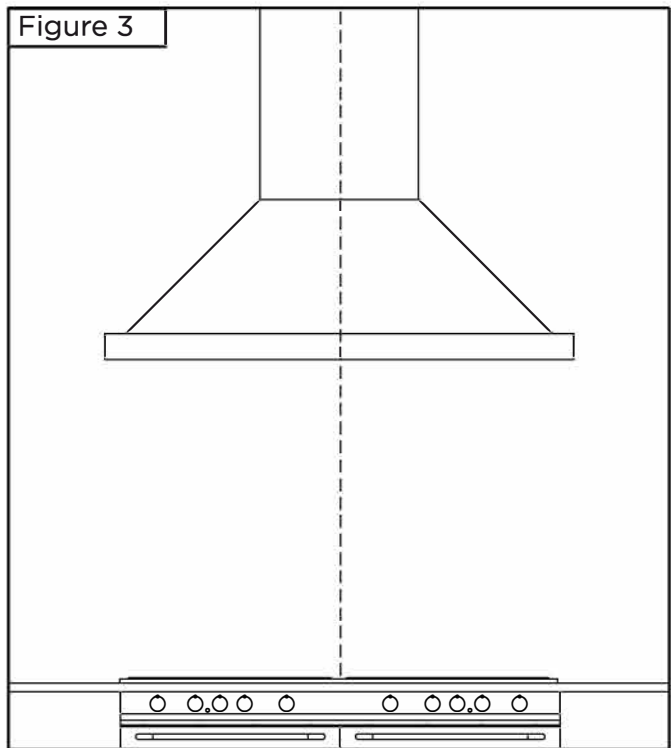
Double check your bracket is level, then mount the bracket on the wall using the pre-drilled holes in the previous step. Utilize all provided hardware as it is designed as a system for a safe installation. If different hardware is used, ensure it meets or exceeds the provided hardware. It is recommended to fasten as many mounting points as possible into a wall stud, structural or sub-frame for a secure result.

5. Position range hood body

With the help of an extra person, lift the range hood body and hang it onto the mounting bracket. The mounting bracket is designed to assist in mounting the range hood and can only support the range hood temporarily while checking for proper alignment. After the hood is aligned and level, mark the mounting hole locations inside the cavity of the range hood. Pre-drill those marks, then mount the range hood to the wall carefully to not drill into any wires, cables or pipes.

6. Mark chimney mounting bracket

The upper chimney is designed to be screwed onto the chimney mounting bracket and the lower chimney is to be hung onto the mounting bracket. Temporarily place the lower chimney cover onto the hood and place the mounting bracket into place and mark its



Installation (Continued)

installation holes. Remove the lower chimney cover. The upper chimney must be flush against the wall, if there is any crown molding or fixtures in the way, these items must be modified. Measure the offset of the mounting bracket screw hole locations from the top edge of the chimney cover. Using that measurement, align the chimney bracket against the wall and mark the screw hole locations. Ensure the chimney and mounting brackets are level and centered.

7. Secure the mounting bracket

Predrill all mounting holes marked in the prior step. Install the mounting bracket using the provided hardware. Wait to mount the chimney and extension until after step 9.

8. Install ducting, connect power and test

Install the duct tubing onto the household ducting first and then allow the duct to extend downward. Allow about 6" of extra ducting past the duct mounting surface of the range hood and cut off any excess. Connect the flexible duct onto the ducting of the range hood. Only use certified duct tapes, adhesives, fixtures or hardware for all ducting installation as permitted by local codes. Install the power plug into a certified electrical socket. Ensure any excess wiring is tied together or tucked away and power is turned off while installing. Check that the area is free from debris, then function test the range hood. It is recommended to test the hood before and after ducting is installed. After testing turn the power off before continuing.

9. Install the chimney covers

Fasten the upper chimney onto the upper chimney mounting bracket using the supplied hardware; and then hang the lower chimney onto the lower chimney mounting bracket. Install the lower chimney by flexing the chimney apart, wrapping it over the upper chimney, and then align the edges so that it hooks onto the lower chimney mounting bracket.

Figure 4A

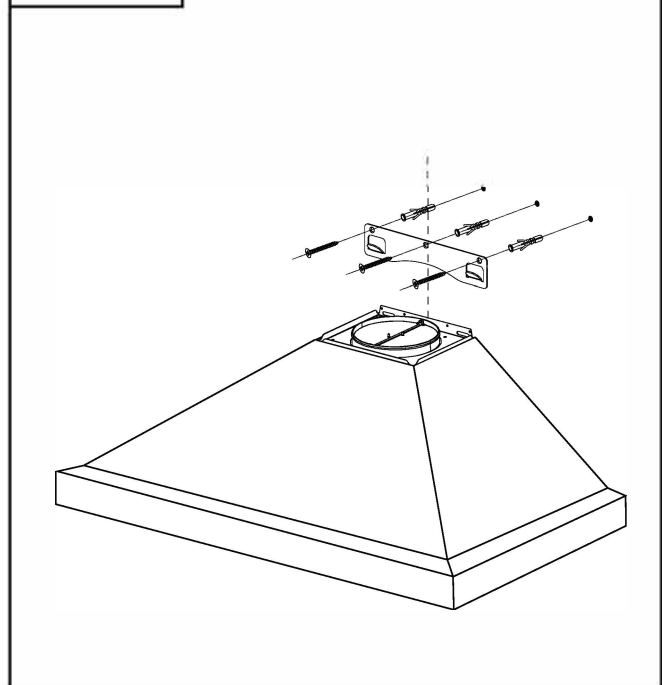
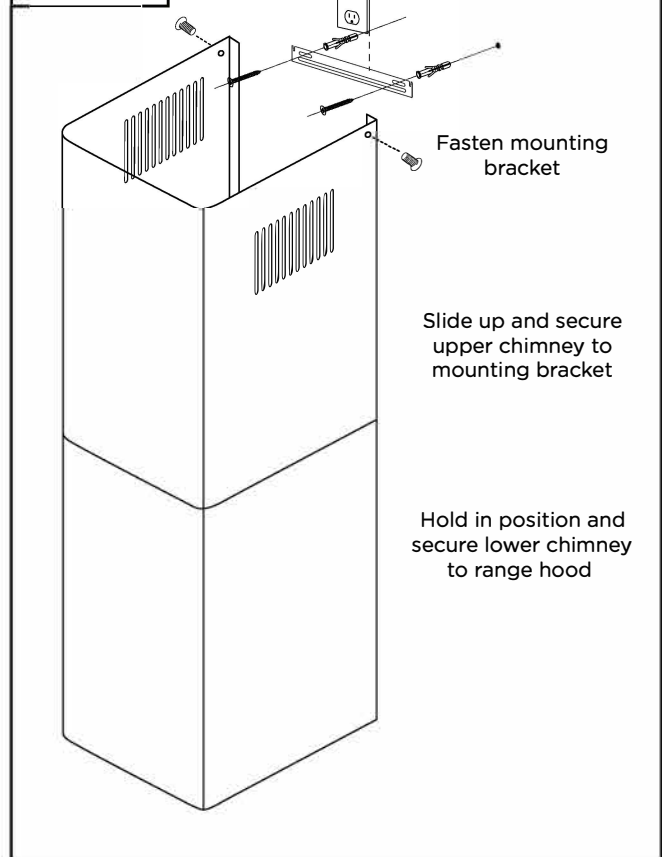


Figure 5



Installation (Continued)

10. Install the filters

To install the filters, position the filters in the correct direction with the latch facing down and angle the rear section (end without the latch) into position, hooking the hanging tabs of the filter into the correct spaces of the hood. Continue to push and pivot the filter upward, while depressing the latch until it fits into place. Release the latch again and push the latch end of the filter upward. Test that the filters are in place by slowly moving your hands away, if it does not move, then the filter is installed correctly. An additional test to ensure the filters are properly installed is to poke or grab at the edges of the filters and give them a tug while keeping your hand below to catch them if they are loose.

11. Cleaning the range hood

After installing there will be fingerprints on your range hood. To remove fingerprints use a soft cloth and warm water. For tougher spots, use warm water and a mild soap. Lightly wipe away any left over water or moisture. ALWAYS wipe in the direction of the grain of the brushed stainless steel. NEVER wipe in a circular motion, against or across the grain of the stainless steel. Use a specialized stainless steel cleaner for the toughest of stains or soils. Always spot test the cleaner in a hidden spot and follow all manufacturer instructions on how to use on the range hood.

Figure 6

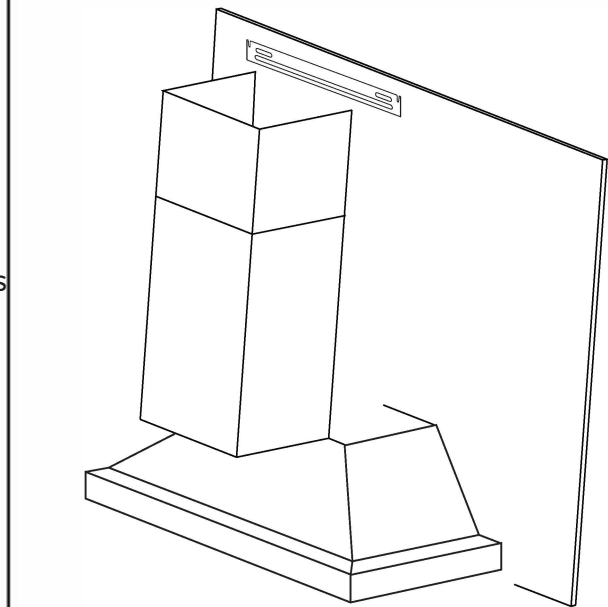
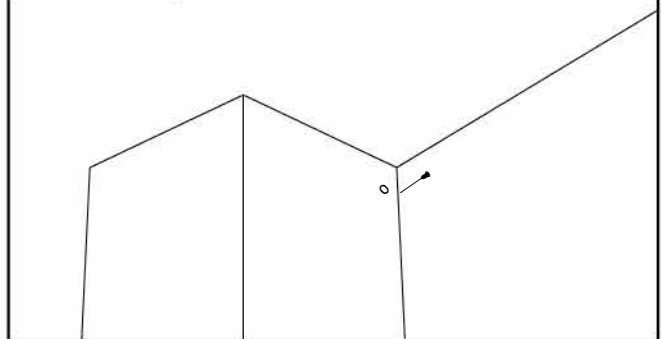


Figure 7



Range Hood Operations



OFF button

* Press this button to switch off the machine.



Low speed button

* Press this button to switch on the machine with low speed.



Mid speed button

* Press this button to switch on the machine with mid speed.



High speed button

* Press this button to switch on the machine with high speed.



Turning ON and OFF the lighting system

* Press the Light Button to turn ON or OFF the lighting system

Troubleshooting

If the range hood or light does not operate after installation:

- Check if the range hood has been plugged in, make sure that all power has been turned back ON, and all electrical wiring are properly connected. Swap out light bulb to working ones to determine
- whether it is caused by defective bulbs. See Replacing the light bulbs on Page 20.

The range hood vibrates when the suction is on:

- The range hood might not have been secured properly on to the ceiling or wall. Check with your installer

The suction or fan seems weak:

- Check that the duct sized used is at least 6". Range hood WILL NOT function efficiently with insufficient duct size. For example: 7" duct over 6" hole and loosely secured.
- Check if duct is clogged or if damper unit (half-circular flapper) is not installed correctly or opening properly. A tight mesh on a side wall cap unit might also cause restriction to the air flow.

The lights work but the suction is not spinning, is stuck or is rattling.

- The blower might be jammed or scraping the bottom due to shipping damage. Please contact us immediately.

The hood is not venting out properly:

- Make sure the distance between the stove top and the bottom of the hood is within 26" and 30" in distance. *Due to different ceiling height configurations, recommended height may not be applicable.
- Reduce the number of elbows and length of duct work. Check if all joints are properly connected, sealed, and taped.
- Make sure the power is on high speed for heavy cooking.

Purpose of the slots/holes/openings near the top of the upper chimney:

- These slots/holes/openings are used to exhaust filtered air.

Note: For all other inquiries, please contact us. Our contact information can be found on the back cover page.

Use and Care Information

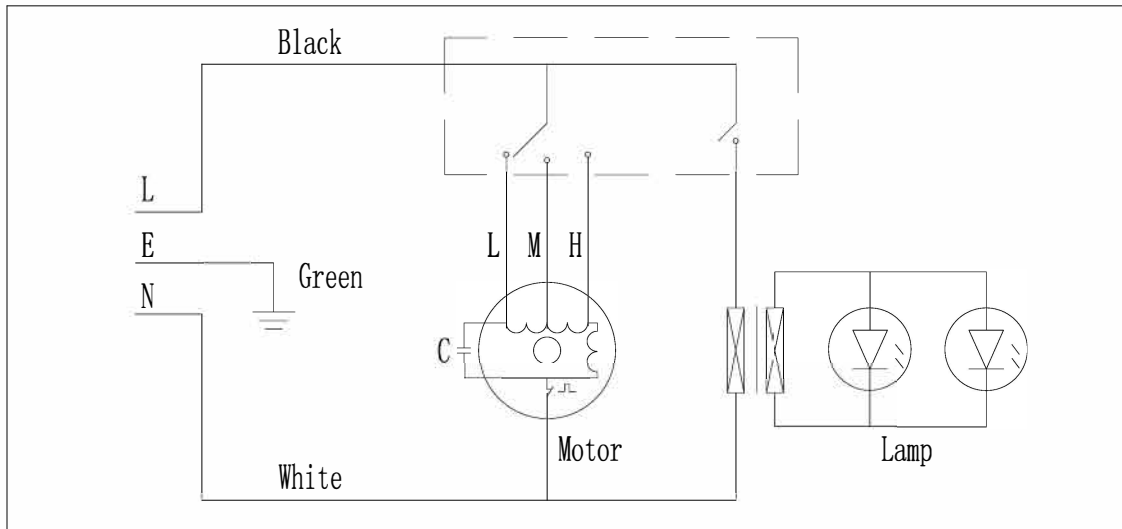
Operations:

- Read and understand all instructions and warnings in this manual before operating the appliance. Save these instructions for future reference.
- Always leave safety grills and filters in place. Without these components, operating blowers could catch on to hair, fingers and loose clothing.
- NEVER dispose cigarette ashes, ignitable substances, or any foreign objects into blowers
- NEVER leave cooking unattended. When frying, oil in the pan can easily overheat and catch fire. The risk of self combustion is higher when the oil has been used several times.
- NEVER cook using “open” flames under the range hood. Check deep-fryers during use: Superheated oil may be flammable.

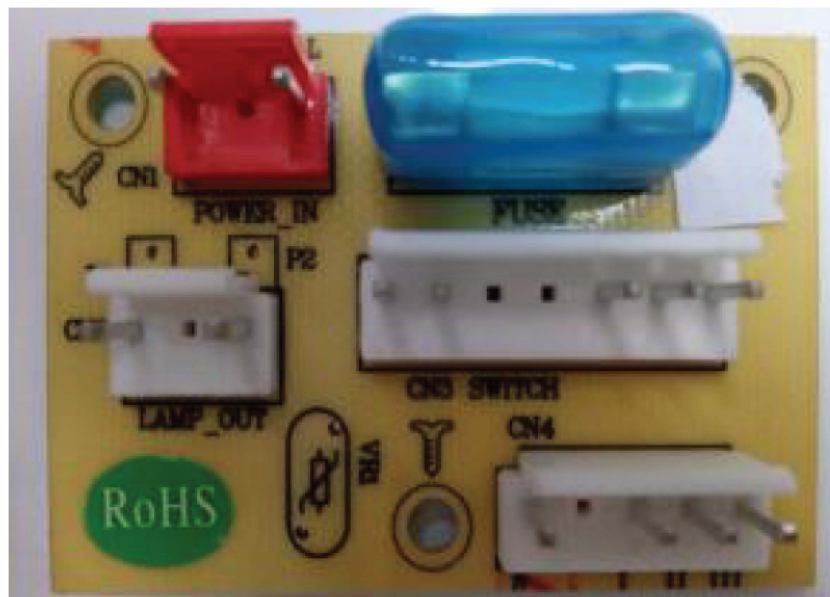
Cleaning:

- The saturation of greasy residue in the blower and filters may cause increased inflammability. Keep unit clean and free of grease and residue build-up at all times to prevent possible fires.
- Filters must be cleaned periodically and free from accumulation of cooking residue (see cleaning instructions on Page 19). Old and worn filters must be replaced immediately.
- DO NOT operate blowers when filters are removed. Never disassemble parts to clean without proper instructions. Disassembly is recommended to be performed by qualified personnel only. Read and understand all instructions and warnings in this manual before proceeding.

Electric Schematic



Push Switch PCB



** Subject to change without notice, please contact your local reseller for details.*

Maintenance

SAFETY WARNING: Never put your hand into area housing the fan while the fan is operating!

For optimal operation, clean range hood and all baffle/spacer/filter/grease tunnel/oil container regularly. Regular care will help preserve the appearance of the range hood.

Cleaning Exterior Surfaces:

- Clean periodically with hot soapy water and clean cotton cloth. DO NOT use corrosive or abrasive detergent (e.g. Comet Power Scrub®, EZ-Off® oven cleaner), or steel wool/scoring pads, which will scratch and damage the stainless steel surface. For heavier soil use liquid degrease such as “Formula 409®” or “Fantastic®” brand cleaner.
- If the finish looks splotchy (stainless steel hood), use a stainless steel cleaner to clean the surface of the hood. Use a dry soft towel to dry the hood. **CAUTION: Do not leave the cleaning solution on the surface too long as this may damage the finish.** Avoid getting cleaning solutions into or onto the control panel, computer components, wires or wired plugs.
- Always wipe/clean/polish in the same direction as the brushed stainless steel finish. Never wipe against the grain.
- After cleaning, you may use non abrasive stainless steel polish such as 3M® or ZEP®, to polish and buff out the stainless luster and grain. Always scrub lightly, with clean cotton cloth, and with the grain.
- DO NOT allow deposits to accumulate or remain on the hood, as they will become harder to clean, and may cause scratching of the finish.
- DO NOT use ordinary steel wool or steel brushes. Small bits of steel may adhere to the surface and cause rusting.
- DO NOT allow salt solutions, disinfectants, bleaches, or cleaning compounds to remain in contact with stainless steel for extended periods. Many compounds contain chemicals, which may be damaging. Rinse with water after exposure and wipe dry with a clean cloth.

Cleaning Baffle Filter

IMPORTANT: Drain oil from oil containers before potential residue overflow!

- The metal filters are intended to help filter grease, residue and moisture from cooking. They are required to be kept clean for performance and safety concerns, and may require replacement if neglected.
- Filters should be cleaned after every 30 hours of use or sooner depending on usage conditions.
- Remove and clean by hand or dishwasher. NOTE: Some newer dish detergents may cause marking or blackening of aluminum metals, such as the mesh aluminum filters. Spray “Formula 409®” or equivalent degreasing detergent and allow to soak if heavily soiled. Rinse with warm water, allow the filters to dry and then re-install before using hood.

Replacing Filters:

- Should filters wear out due to age and prolonged use, please contact your local reseller for replacement filters. Consider preemptively purchasing an extra set of filters to store on hand, or upgrading to stainless steel baffle filters.
- Note: Also replace damaged filter that has punctured or broken mesh, bent or broken frame.

Maintenance (Continued)



WARNING

Hazard of Burns!

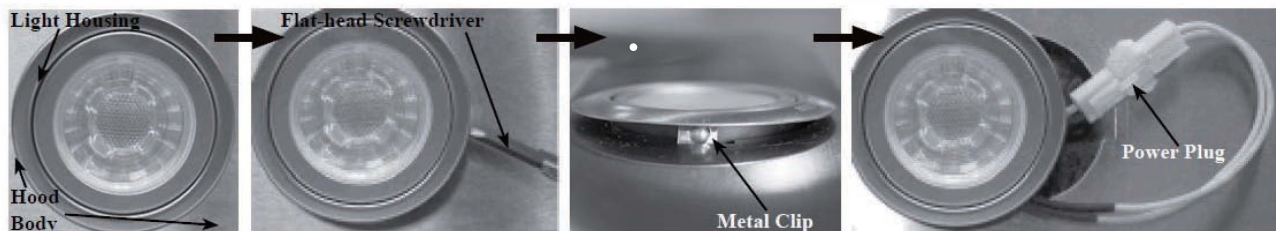
Light bulb become extremely hot when turned on. DO NOT touch bulb until switched off and cooled. Touching hot bulbs could cause serious burns.

Replacing The Light Bulb:

- Check the range hood tag for lamp specifications. Halogen bulbs will not work on "LED" models (they will lightly pulse or flash).
- Before performing any task outside of basic operation, turn off the power supply and/or unplug the unit.
- Before attempting to handle the light bulbs, ensure the bulbs are cool to the touch, including any adjacent working surfaces

Replacing LED Light Fixture:

- This range hood uses LED light fixture: 1.5W Max 12V LED
- Make sure the range hood is unplugged or turn OFF breaker and the lights are cool to touch.
- Place a flat-head screwdriver between light housing and hood body, gently pry up the light housing and search for the metal clip. (Recommended: use multiple layers of tape over the screwdriver head to prevent any scratching of the finish)
- Apply force to the metal clip and pull out the light fixture. Disconnect the power cable and discard the old light fixture.
- Reverse the steps to install a new halogen light fixture. Turn ON breaker and range hood to test for operation.



CAUTION: DO NOT touch the lights until switched OFF and cooled.

Note: Light settings are independent from other settings (including power-off delay) and lights has to be manually turned on or off.

Note: The system saves user configurations, settings such as light, timer and vent (motor) speed will remain the same the next time it is turned on.

Warranty

One Year Parts Warranty:

For one year from the date of original purchase, your local reseller will provide free of charge, non-consumable replacement parts or components that failed due to manufacturing defects. Subject to the conditions and limitations set forth below, your local reseller will, at its option, either repair or replace any part of its products that prove defective by reason of improper workmanship or materials. Repaired parts or replacement products will be provided by your local reseller on an exchange basis, and will be either new or refurbished to be functionally equivalent to new. The consumer is responsible for all shipping costs. Consumable parts not covered by this warranty include but not limited to: Light bulbs, metal, aluminum and charcoal filters.

Who is Covered:

This warranty is extended to the original purchaser for products purchased for ordinary home use.

This Warranty Will Be Voided When:

Product damaged through negligence, improper installation, accident, abuse, misuse, natural disaster, insufficient or excessive electrical supply, abnormal mechanical or environmental conditions, or any unauthorized disassembly, repair, modification, or failure to follow installation instructions. When product is used commercially or other than its intended purpose. Damaged because of improper connection with equipment of other manufacturers. Repaired or modified by anyone other than your local reseller's authorized agents. This limited warranty also does not apply to any product on which the original identification information has been altered, obliterated or removed, has not been handled or packaged correctly or has been sold as second-hand.

What is Not Covered:

Consumable parts such as light bulbs, metal and charcoal filters. The natural wear of finish, and wear due to improper maintenance, use of corrosive and abrasive cleaning products, pads, and oven cleaner products. Chips, dents or cracks due to abuse, misuse, freight damage, or improper installation. Damage of product caused by accident, fire, floods or act of God. The manufacturer and/or distributor/reseller is not liable for, and does not cover under warranty, any loss of properties or any costs associated with removing, servicing, installing, or determining the source of problems with this product.

This warranty is valid in the country of the original purchase at retail. It is non-transferable and applies only to the original purchaser and does not extend to subsequent owners of this product. Any applicable implied warranties, including the warranty of merchantability, are limited in duration to a period of express warranty as provided herein beginning with the date of original purchase at retail and, no warranties, whether express or implied, shall apply to this product thereafter.

To obtain warranty service, you may contact your local reseller from which you purchased this product. Please confirm the terms of your local reseller's policies prior to contacting. Typically, you must include product identification information, including model number and serial number with a detailed description of the problem you are experiencing. You must also include proof of the date of original retail purchase as evidence that the product is within the applicable warranty period.

The information in this document is subject to change without notice, please contact your local reseller for updated details.

Disclaimer

Carefully inspect all items for damages before accepting delivery. Note and picture any damages to the external box, contents or item to the carrier and written on the freight bill or delivery receipt. Request name and signature of the carrier's agent and keep copy to support your claim. Upon acceptance of items, owner assumes responsibility for its safe arrival. Report damages to the carrier and file a claim immediately. Failure to do so may result in the denial of your claim. The carrier will furnish you with necessary forms for filing a claim.

Damages caused during transit are not covered under our warranty. Please contact us for additional help in filing your insurance claim.

Please inspect contents of package(s) carefully upon receiving! We must be notified of any damages and/or missing parts within five (5) days upon your receipt of package(s). Claims will not be accepted after five (5) days. NOTE: Items were thoroughly tested and carefully packed in our factory before shipping.

Products must be returned in good working condition with ALL original parts and documentation packed in ALL original cartons, fillers and shipping cartons. A restocking fee of 15% will be charged for all approved return(s). Exchanges or returns may not be accepted if any packaging is missing.

Be sure to inspect the hood for damage and defects, and also function test the hood before installation. Appearance flaws of the hood found after installation and not affecting hood performance is not covered under our warranty for returns or exchanges. Service visits not covered under warranty.

Before Installation: Return for exchange or refund (please see above for acceptable returns).
After Installation: NO exchange or refund.

Contact Us

If you need any assistance, please contact your local reseller. Please have your order number and model of the range hood ready. This information will help process your request or inquiry more effectively.

If you need replacement parts, we recommend that you only use genuine parts. Our accessories and parts are engineered and designed specifically for this series of range hood, each is rigorously tested assuring the utmost in durability and reliability, providing a factory match, factory-installed appearance and functionality tailored to each individual range hood model.

21700 Barton Road, Dock 71
Colton, California 92324

Phone Number: (800) 827-5950

The information in this document is subject to change without notice, please contact your local reseller for updated details.