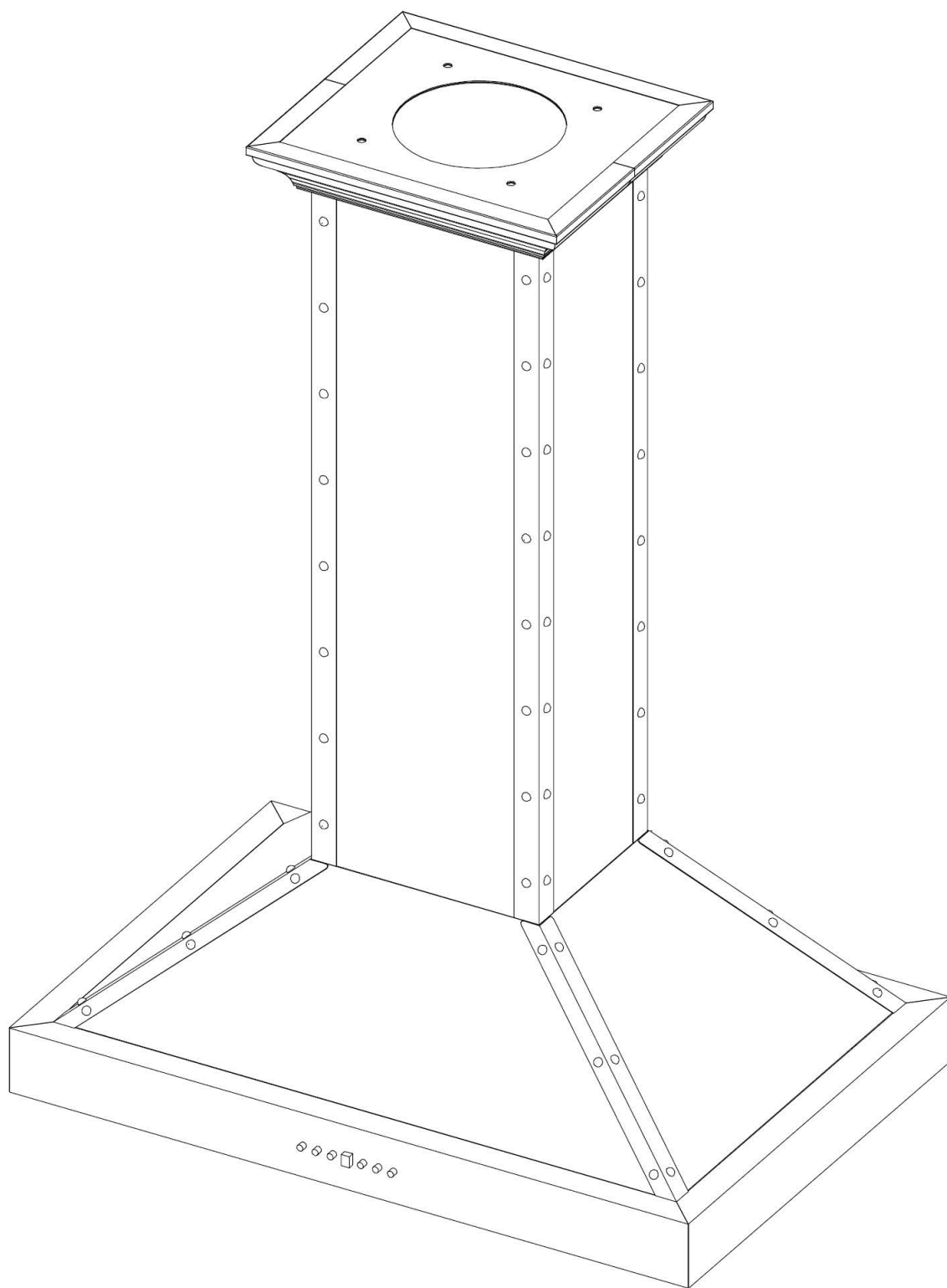


318 Series Island Mount Installation Manual



Island Mount Range Hood

Rev. 2019a

Important Safety Notice

Read all Instructions before Installing and operating this appliance

- The installation in this manual is intended for qualified installers, service technicians or persons with similar qualified background. Installation and electrical wiring must be done by qualified professionals and in accordance with all applicable codes and standards, including fire-rated construction.
- **DO NOT** attempt to install this appliance yourself. Injury could result from installing the unit due to lack of appropriate electrical and technical background.
- Range hood may have very sharp edges; please wear protective gloves if it is necessary to remove any parts for installing, cleaning or servicing.
- Activating any switch ON before completing installation may cause ignition or an explosion.
- Due to the size and weight of this range hood, two people installation is recommended.

To reduce the risk of fire, electric shock, or injury to persons:

- For general ventilating use only. **DO NOT** use to exhaust hazardous or explosive materials and vapors.
- The combustion air flow needed for safe operation of fuel-burning equipment may be affected by this unit's operation. Follow the heating equipment manufacturer's guideline and safety standards such as those published by the National Fire Protection Association (NFPA), and the American Society of Heating, Refrigeration and Air Conditioning Engineers (ASHRAE), and the local code authorities.
- Before servicing or cleaning unit, switch power OFF at service panel and lock service panel to prevent power from being switched ON accidentally.
- Clean grease laden surfaces frequently. To reduce the risk of fire and to disperse air properly, make sure to vent air outside. **DO NOT** vent exhaust into spaces between walls, crawl spaces, ceiling, attics or garages.
- Ducted fans **MUST** always be vented to the outdoors.
- Use only metal ductwork and this unit **MUST** be grounded.
- Sufficient air is needed for proper combustion and exhausting of gases through the duct to prevent back drafting.
- When cutting or drilling into wall or ceiling, be careful not to damage electrical wiring or other hidden utilities.
- All electrical wiring must be properly installed, insulated and grounded.
- Old duct work should be cleaned or replaced if necessary to avoid the possibility of a grease fire.
- Check all joints on duct work to insure proper connection and all joints should be properly taped.
- Use this unit only in the manner intended by the manufacturer. If you have questions, contact the vendor.

To reduce the risk of a stove top grease fire:

- Keep all fan, baffle, spaces, filter, grease tunnel, oil container and grease-laden surfaces clean. Grease should not be allowed to accumulate on fan, baffle, spaces, filter, grease tunnel and oil container.
- Always turn range hood ON when cooking at high heat or when cooking flaming foods.
- Use high settings on cooking range only when necessary.
- Never leave surface units unattended at high settings. Boil overs cause smoking and greasy spillovers that may ignite. Heat oils slowly on low or medium settings.

Important Safety Notice

Read all Instructions before Installing and operating this appliance

- Clean ventilating fan frequently.
- Always use appropriate cookware and utensils size.
- Always use cookware appropriate for the size of the surface element.

To reduce the risk of injury to persons in the event of a stove top grease fire:

- SMOTHER FLAMES with a close-fitting lid, cookie sheet, or metal tray, then turn OFF the burner. BE CAREFUL TO PREVENT BURNS. NEVER PICK UP A FLAMING PAN—you may be burned. KEEP FLAMMABLE OR COMBUSTIBLE MATERIAL AWAY FROM FLAMES. If the flames DO NOT go out immediately, EVACUATE AND CALL THE FIRE DEPARTMENT or dial your local emergency service immediately.
- DO NOT USE WATER, including wet dishcloths or towels — a violent steam explosion will result.
- Use an extinguisher ONLY if:
 - You know you have a Class A, B, C extinguisher, and you already know how to operate it.
 - The fire is small and contained in the area where it is started.
 - The fire department is being called.
 - You can fight the fire with your back to an exit.

To reduce the risk of injury to persons in the event of a gas leak:

- Extinguish any open flame.
- DO NOT turn on the range hood fan or any type of ventilator.
- DO NOT turn on the lights or any type of appliance.
- Open all doors and windows to disperse the gas. If you still smell gas, call the gas company and fire department, or dial your local emergency service immediately.

Your safety and the safety of others is very important. We have provided many important safety messages in this manual and on your appliance. Always read and obey all safety messages. All safety messages will tell you what the potential hazard is, tell you how to reduce the chance of injury, and tell you what can happen if the instructions are not followed.

WARNING

This is the safety alert symbol. This symbol alerts you to potential hazards that can hurt you and others. All safety messages will follow the safety alert symbol and the word “WARNING”.

The manufacturer and/or distributor/reseller declines all responsibility in the event of failure to observe the instructions given here for installation, maintenance and suitable use of the product.

The manufacturer and/or distributor/reseller further declines all responsibility for injury due to negligence and the warranty of the unit automatically expires due to improper maintenance.

The manufacturer and/or distributor/reseller will not be held responsible for any damages to personal property or real estate or any bodily injuries whether caused directly or indirectly by the range hood.

Table of Contents

Tools Needed	3	Installation	10 - 11
Parts Supplied	4	Range Hood Operations	12 - 13
Venting Requirements	5 - 6	Troubleshooting	14
Heights & Clearances	5 - 6	Use & Care	15
Calculate Vent Length	6	Specifications	15
Venting Methods	7	Maintenance	16
Charcoal Filter Installation	8	Warranty	17
Electrical Requirements	8	Disclaimer	18
Advanced Preparation	9	Contact Us	18
Preparation	9		

Tools needed:



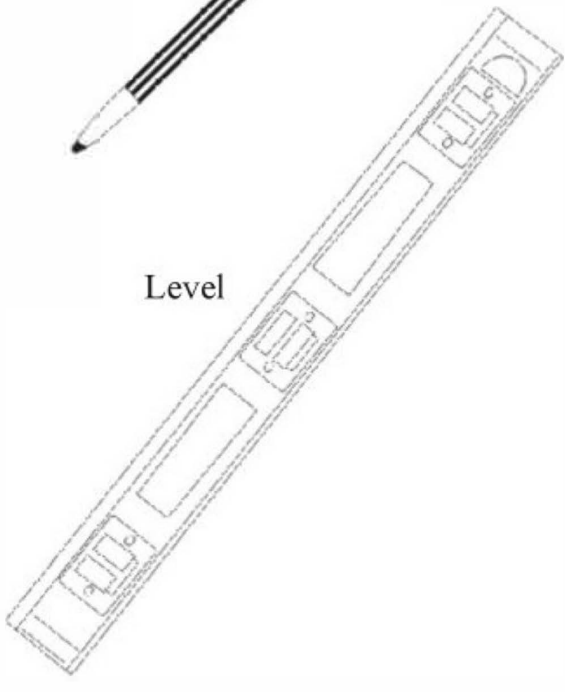
Marker or pencil



Utility knife



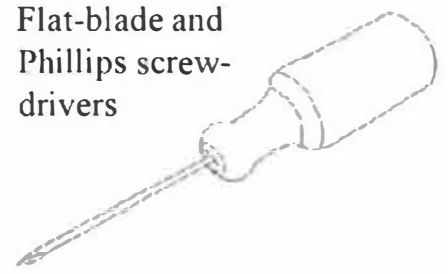
Measuring tape



Level

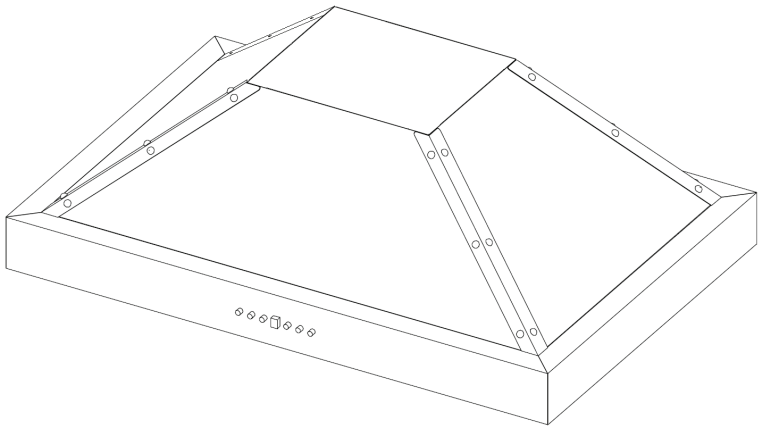


Powered screwdriver or drill

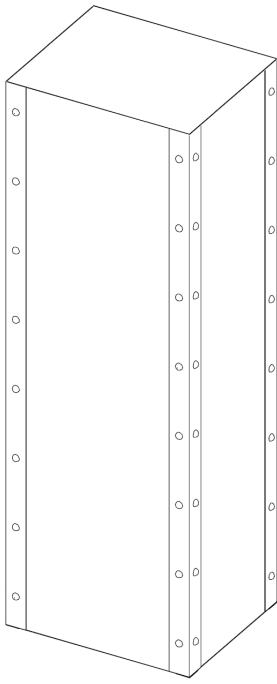


Flat-blade and Phillips screwdrivers

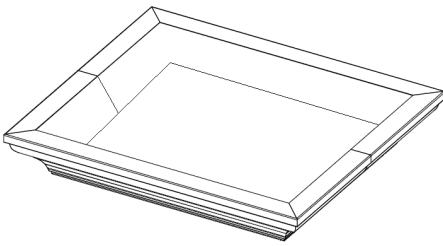
Parts supplied:



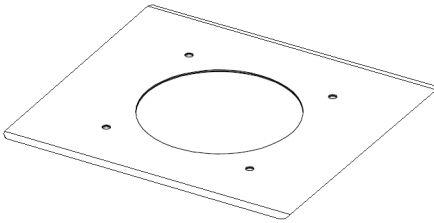
Range Hood



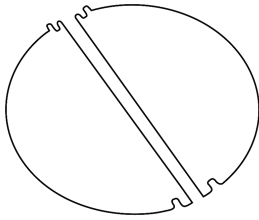
Chimney



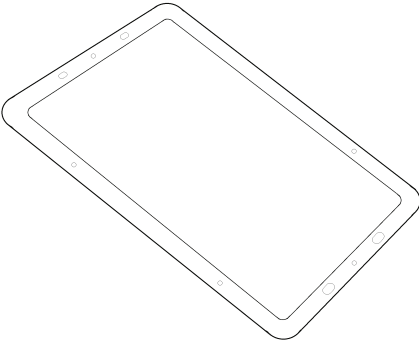
Crown Moulding



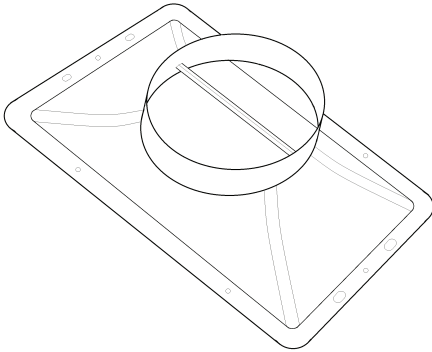
Crown Mounting Plate



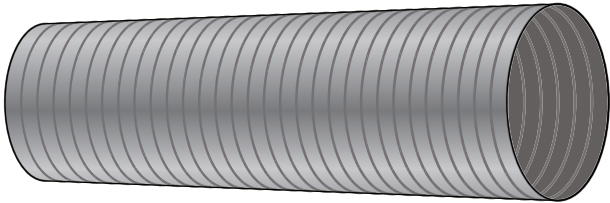
Damper Flaps



Duct Adapter Gasket



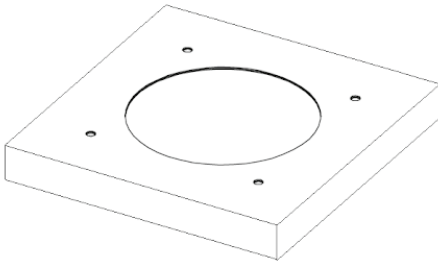
Duct Adapter



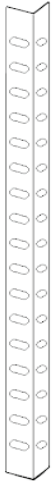
Flexible Duct Tube



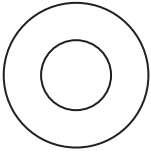
Charcoal Filter



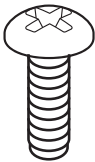
Ceiling Support Frame



Chimney Extension Bracket
Quantity: 8



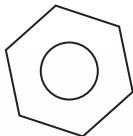
Washers (C)
Quantity: 4



3/8" Round Top Screws (A)
Quantity: 6



1/2" Round Top Screws (D)
Quantity: 48



Nuts (E)
Quantity: 48



1 1/2" Round Top Screws (B)
Quantity: 4

Venting Requirements

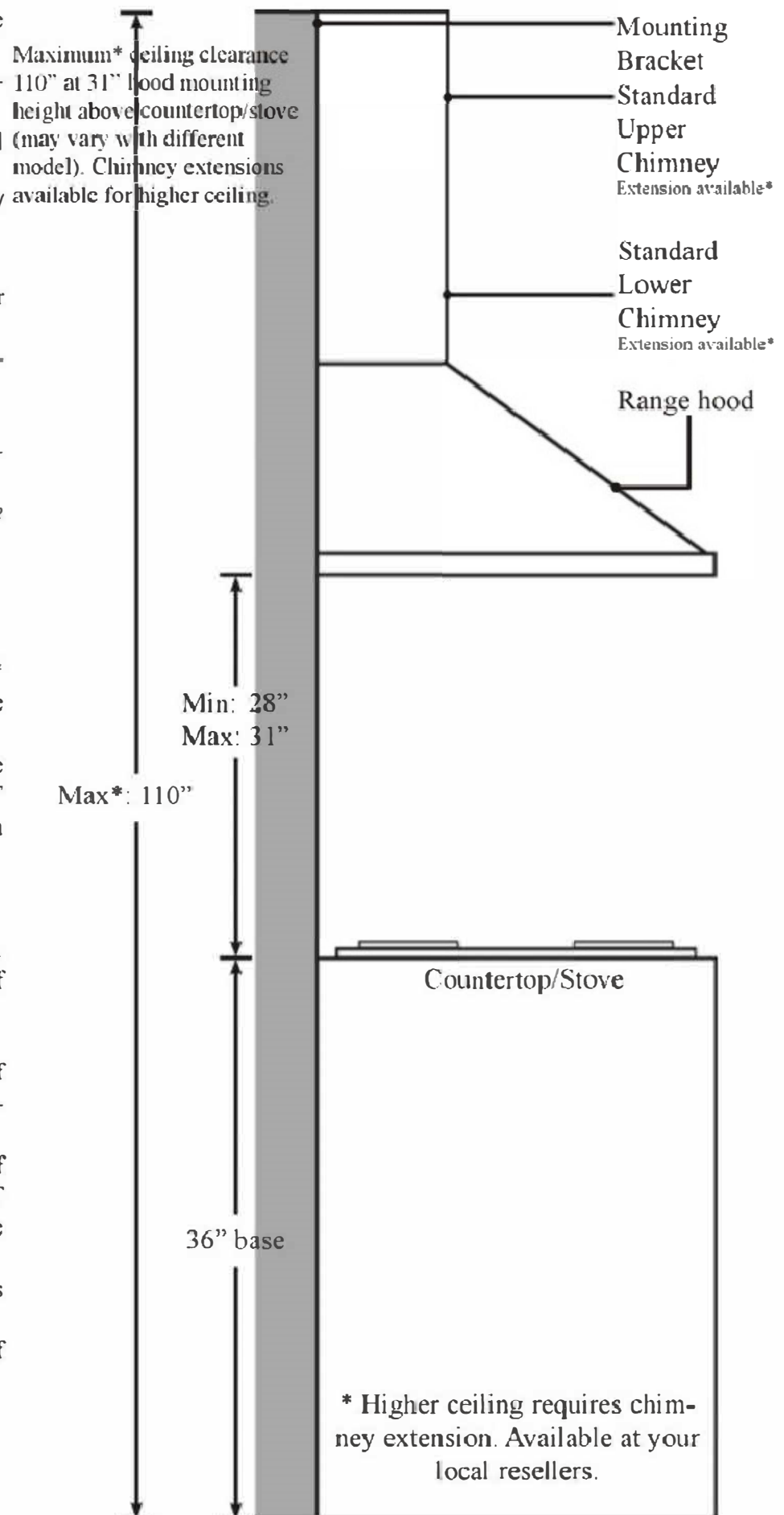
- Vent system must terminate to the outside (roof or side wall).
- DO NOT terminate the vent system in an attic or other enclosed area.
- DO NOT use 4" (10.2 cm) laundry-type wall caps.
- Use metal/aluminum vent only. Rigid metal/aluminum vent is recommended.
- DO NOT use plastic vent.
- Always keep the duct clean to ensure proper airflow.
- Calculate the following figures before installation:
 1. Distance from the floor to the ceiling.
 2. Distance between the floor to the countertop/stove (recommended* 28" to 31").
 3. Distance between the countertop/stove to the range hood.
 4. Height of hood and duct cover.

For the most efficient & quiet operation:

- A distance of 28" to 31" is recommended* between stove top and the bottom of range hood.
- It is recommended that the range hood be vented vertically through the roof through 6" (15.24 cm) or bigger round metal/aluminum vent work.
- The size of the vent should be uniform.
- Use no more than three 90° elbows.
- Make sure there is a minimum of 24" (61 cm) of straight vent between the elbows if more than one elbow is used.
- DO NOT install two elbows together.
- The length of vent system and number of elbows should be kept to a minimum to provide efficient performance.
- The vent system must have a damper. If roof or wall cap has a damper, DO NOT use damper (if supplied) on top of the range hood.
- Use silver tape or duct tape to seal all joints in the vent system.
- Use caulking to seal exterior wall or roof opening around the cap.

* Due to different ceiling height configurations, recommended height may not be applicable.

Height & Clearance



IMPORTANT:

- A minimum of 6” round (standard for this range hood) or 3-1/4 x 10” rectangular duct (purchased separately) must be used to maintain maximum airflow efficiency.
- Flexible 6” round duct provided for convenience, always use rigid type metal/aluminum ducts if available to maximize airflow when connecting to provided duct.
- Please use *Duct Run Calculation* below to compute the total available duct run when using elbows, transitions and caps.
- ALWAYS, when possible, reduce the number or transitions and turns. If long duct run is required, increase duct size from 6” to 7” or 8”. If a reducer is used, install a long reducer instead of a pancake reducer. Reducing duct size will restrict airflow and decrease airflow, thus reduce duct size as far away from opening as possible.
- If turns or transitions are required: Install as far away from opening and as far apart, between 2, as possible.
- Minimum mount height between stove top to hood bottom should be no less than 28-inch*.
- Maximum mount height between stove top to hood bottom should be no higher than 31-inch*.
- It is important to install the hood at the proper mounting height. Hoods mounted too low could result in heat damage and fire hazard; while hoods mounted too high will be hard to reach and will lose its performance and efficiency.
- If available, also refer to stove top manufacturer’s height clearance requirements and recommended hood mounting height above range.

* Due to different ceiling height configurations, recommended height may not be applicable.

Minimum Duct Size:

- Round - 6” minimum
- Rectangular - 3-1/4 x 10” minimum (requires a 6” to 3-1/4x10” adaptor, not supplied)

Calculating Vent System Length

To calculate the length of the system you need, deduct the equivalent feet for each vent piece used in the system from the recommended maximum duct run.

Duct Run Calculation:	
Recommended maximum run	
6” or 3-1/4 x 10” duct	50 ft
Vent piece deduction	
Each 90° elbow used	9 ft
Each 45° elbow used	5 ft
Each 6” to 3/14 x 10” transition used	7 ft
Side wall cap with damper	0 ft
Roof cap	0 ft

Duct Run Calculation example:

One roof cap, two 90° elbow, and one 45° elbow used:

0ft + 9ft + 9ft + 5ft = 23ft used.

Deduct 23ft from 50ft, 27ft maximum available for straight duct run.

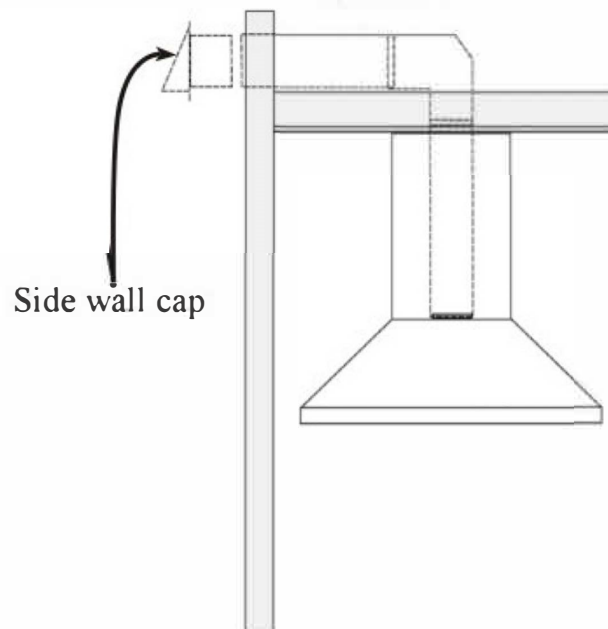
Venting Methods

- This range hood is factory set for venting through the roof or wall. For non-vented (re-circulating) installations, see *Recirculating (Non-Vented) Kit* on Page 10.
- Vent work can terminate either through the roof or wall. To vent through a wall, a 90° elbow is needed.

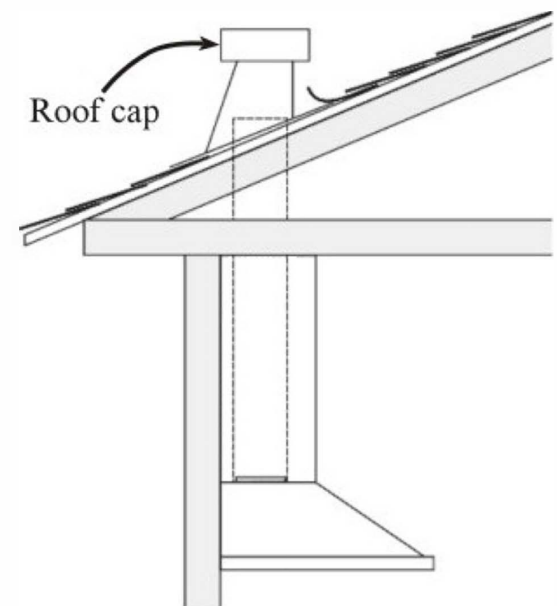
IMPORTANT:

- NEVER exhaust air or terminate duct work into spaces between walls, crawl spaces, ceiling, attics or garages. All exhaust must be ducted to the outside.
- Use metal/aluminum duct work only.
- Fasten all connections with sheet metal screws and tape all joints with certified Silver Tape or Duct Tape.
- Use caulking to seal exterior wall or roof opening around the cap.

Horizontal wall venting



Vertical roof venting



Charcoal Filter Installation

NOTE: The charcoal filters are preinstalled if you purchased the range hood with re-circulating kit from us.

1. Remove aluminum filters on hood.
2. Position the charcoal filters onto each side of the motor and turn until it locks. Re-install aluminum filters.
3. Charcoal filters must be replaced after 120 hours of use (or approximately every 2 to 3 months based on the average of 1 to 2 hours of daily cooking time). Available at your local resellers.

Electrical Requirements

IMPORTANT: Observe all governing codes and ordinances.

(Please consult with a qualified electrician for 110-Volt 60 Hz voltage)

It is the customer's responsibility:

- To contact a qualified electrical installer.
- To assure that the electrical installation is adequate and in conformance with National Electrical Code, ANSI/NFPA 70 — latest edition*, or CSA Standards C22. 1-94, Canadian Electrical Code, Part 1 and C22. 2 No. 0-M91 - latest edition** and all local codes and ordinances.

If codes permit and a separate ground wire is used, it is recommended that a qualified electrician determine that the ground path is adequate.

A 120-Volt, 60 Hz, AC-only (USA & Canada standard), fused electrical supply is required on a separate 15-amp circuit, fused on both sides of the line.

DO NOT ground to a gas pipe.

Check with a qualified electrician if you are not sure that the range hood is properly grounded.

DO NOT have a fuse in the neutral or ground circuit.

IMPORTANT: Save this Installation Guide for electrical inspector's use.

The range hood must be connected with copper wire/plug only.

The range hood should be connected directly to the fused disconnect (or circuit breaker) box through flexible armored or non-metallic sheathed copper cable. A U.L. - or C.S.A. - listed strain relief must be provided at each end of the power supply cable.

Wire sizes (copper wire only) and connections must conform with the rating of the appliance as specified on the model/serial rating label. Wire sizes must conform to the requirements of the National Electrical Code ANSI/NFPA 70 — latest edition*, or CSA Standards C22. 1-94, Canadian Electrical Code Part 1 and C22. 2 No. 0-M91 - latest edition** and all local codes and ordinances. A U.L. - or C.S.A. - listed conduit connector must be provided at each end of the power supply cable (at the range hood and at the junction box).

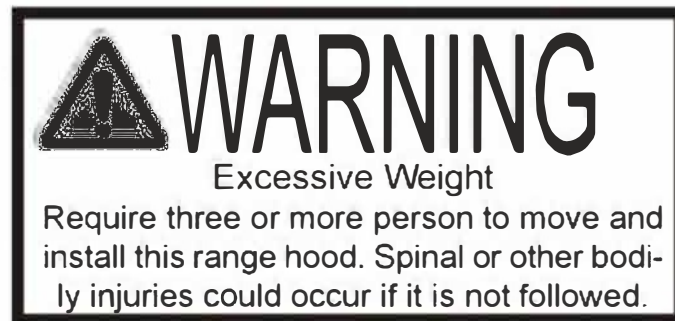
Copies of the standards listed may be obtained from:

* National Fire Protection Association
Batterymarch Park
Quincy, Massachusetts 02269

** CSA International
8501 East Pleasant Valley Road
Cleveland, Ohio 44131-5575

Advanced Preparations:

1. Familiarize yourself with the parts of the range hood (Parts Supplied, Page 4) and confirm all the parts are supplied.
2. Finish unpacking all the components of the package and place on a flat, stable surface and verify the presence of all supplied parts listed (Parts Supplied, Page 4).
 - NOTE: To avoid damage to your hood, prevent debris from entering the vent opening.
3. Set aside the grease filters and grease cup in a safe area until the range hood is properly installed.
 - Remove the grease filters by first holding the grease filter handle and then sliding the removal latch toward the center of the grease filter (direction of arrow); then gently pull the grease filter away from the range hood (toward the direction of dashed arrow) as shown in Figure 1.
 - Remove the grease cup from the motor assembly by sliding it sideways; see Figure 2 for location of the grease cup.
4. Familiarize yourself with the controls of the range hood (Range Hood Operations, Page 14).
5. Place the range hood body on a flat, stable, surface. Connect the range hood to a standard outlet (refer to the product label for the suitable voltage of this unit) and then turn 'ON' the range hood; verify all operations of the range hood function correctly (Range Hood Operations, Page 14).
6. Turn off range hood and disconnect power cord after testing.



Preparation:

1. Safely de-electrify any electrical lines before working on any electrical connections. Prepare and run electrical wiring through the ceiling; install a power outlet within reaching distance of the range hood body. DO NOT restore power until installation is completed.
2. Due to the weight and size of this unit, please ensure a support-frame or sub-frame is built into the ceiling for a stable and secure installation. A "T" style brace is recommended for any installations where a full support frame is not used, where applicable.
3. Use a thick, protective covering or moving blanket over the counter top, cook top and/or range to protect from damage or dirt. Remove any unnecessary hazardous objects from around the installation area during installation.
4. Assemble the duct adapter onto the range hood body. Place the duct adapter gasket into the hollow perimeter of the rectangular side of the duct adapter; place the rectangular side of the duct adapter over the range hood duct, aligning the screw holes; fasten the duct adapter onto the range hood body using the supplied hardware, "A" screws; (4) four-screws, one at each corner.
5. Measure your installation area, vertically: from the top surface of your cooktop to the ceiling (installation surface); deduct 28-inches from your vertical installation measurement; this new value is the overall length of range hood assembly you require. 28-inches is the minimal distance required between the cooktop and range hood body; a larger gap can be used at your discretion, however is recommended to be within 28 to 32 inches for the best efficiency.
6. Temporarily assemble the chimney extension brackets onto the range hood body and ceiling support frame, four (4) brackets each side, using four (4) "D" screws and "E" nuts at each connection; and then slide the open ends of the chimney extension brackets together, overlapping them, until you find the appropriate overall length; and then fasten the 2 sets of chimney extension brackets together, using four (4) "D" screws and "E" nuts at each connection, connecting the range hood body to the ceiling support frame through the chimney extension brackets ("chimney support frame"). Double check your measurements and also mark your alignment and screw locations.
7. Temporarily fit the chimney cover over the chimney support frame, fully seating onto the range hood body, check its fitment with the length of chimney you require for your installation. If the chimney support frame is slightly longer than the chimney cover by 2-inches, you will have a perfect installation. If the chimney support frame is longer than the chimney cover by more than 2-inches, the chimney support frame will have to be shortened to meet this requirement. See last step to adjust the chimney support frame. (Shortening the chimney will raise the height of the range hood body away from the cooktop surface) If the chimney support frame is shorter than the chimney cover, then the chimney cover will have to be trimmed. Double check your measurements.
8. The reason for trimming the chimney cover is to adjust the overall length of range hood assembly, so it will fit your installation space. If you do not require to trim your chimney cover, skip this step. To trim the chimney cover, only cut the top edge, as it will be covered by the crown molding; if trimming the chimney cover, double check your measurements and calculations before making any permanent cuts; also consider the placement of the crown molding and position of the rivets on the trimmed chimney cover. Cover the cutting surface with a quality masking tape; clearly mark your cutting line with a high contrast marker; ensure your mark is straight and square; ensure any nearby rivet will not disrupt your ability to cut safely; remove any rivets if necessary; cut the chimney cover as straight as possible, however, this cut will be hidden behind the crown molding.
9. After confirming your measurements, unfasten the lower chimney extension brackets from the range hood body. Set aside all the components and ready your installation area.
10. Install your vent ducting with as few bends as possible (see Venting Methods, Page 7). Use caulking or other approved sealant to seal exterior wall or roof openings.
11. Review remaining fastening hardware to be used. Island mount range hoods are only recommended to be fastened to a structurally sound support frame, or equivalent load bearing fixture.

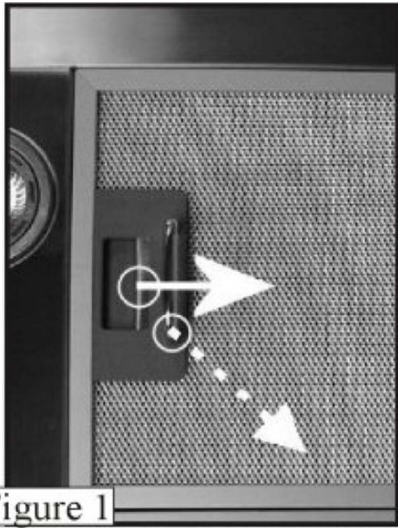


Figure 1



Figure 2

Installation:

1. Mark where you want your range hood installed:

Measure and mark where you want your range hood installed, then align the ceiling support frame within your marks, and then mark and outline the position of the ceiling support frame, its mounting holes, and the duct hole. Ensure there is enough clearance for the range hood body to attach to the support frame without colliding into any other objects.

2. Predrill mounting holes and cutout duct hole:

Predrill the screw hole locations, so the screws do not split apart or weaken any supporting frames or joist, and then cutout the hole for the ducting.

3. Mount the crown mounting plate and ceiling support frame:

Take the crown mounting plate with the flared edges away from the ceiling, place it over the ceiling support frame, aligning the screw holes and power cord notch, and then align this assembly with the predrilled holes in ceiling. Mount the crown mounting plate and ceiling support frame to the ceiling using (4) four “B” screws and “C” washers (or with fasteners that meet or exceed the factory hardware specifications). Ensure the ceiling support frame is securely fastened to the joist or support in the ceiling.

4. Ready household power supply and duct work:

Run a power source through the power cord notch in the ceiling support frame, so that it can be reached through the length of the chimney cover (when installed), and ducting through the duct cutout and ceiling support frame. The seams for the cutouts can be sealed at this point.

5. Mount the chimney extension brackets: (if they had not been removed from the initial “Preparations” step 6)

Fasten four (4) chimney extension brackets to the ceiling support frame using four (4) “D” screws and “E” nuts at each connection. Fasten another chimney extension bracket to each previously installed chimney extension brackets, using (4) hour “B” screws and “C” washers at each connection, at your predetermined length (see “Preparations” step 6)

6. Ready the flexible duct tube:

After running household ducting through the ducting cutout of the ceiling support frame, (do not vent into the attic) connect the flexible ducting to your household ducting using a certified or approved duct tape or fastener. Extend the flexible ducting downward and then leave about 6-inches of excess duct length below the end of the chimney support frame...

7. Position the chimney cover:

Position the chimney cover over the chimney support frame in the uppermost position, use an extra set of hands or a tool jammed through a chimney extension bracket to hold it in place (ensure it is safe)...

8. Plug in power cord, connect ducting, and mount the range hood body:

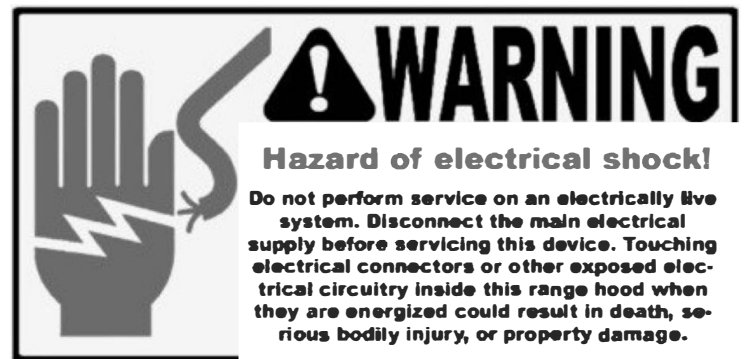
Position the range hood body near the chimney support frame, using an extra set of hands, connect the power connections, and also seal the open end of the flexible ducting to the range hood duct adapter, and then mount the range hood body to chimney support frame using four (4) “D” screws and “E” nuts at each connection. Ensure all connections are good and tight.

9. Lower chimney cover and install crown molding:

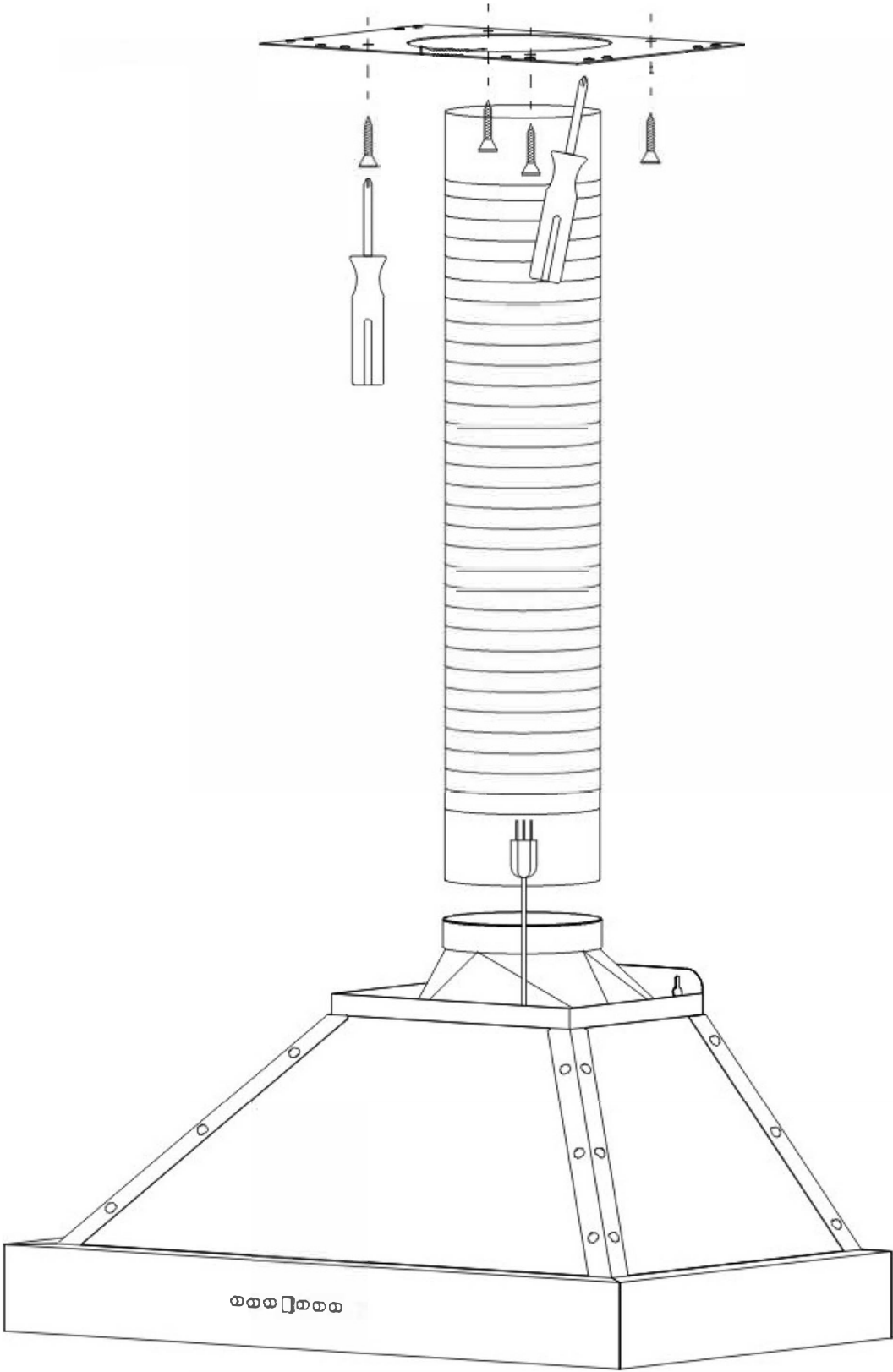
Gently lower the chimney cover so that it rest on the range hood body. Then install the crown molding by taking the wide edge and sliding it over the flared edge of the crown mounting plate, wedging it in between the crown mounting plate and ceiling. Repeat for other side and center with chimney cover.

10. Test range hood functions and cleanup:

After ensuring all components are securely fastened, install grease cup and grease filters, turn on power supply, power up the range hood and test all functions. After confirming all functions work correctly, gently wipe away any fingerprints and cleanup work area.

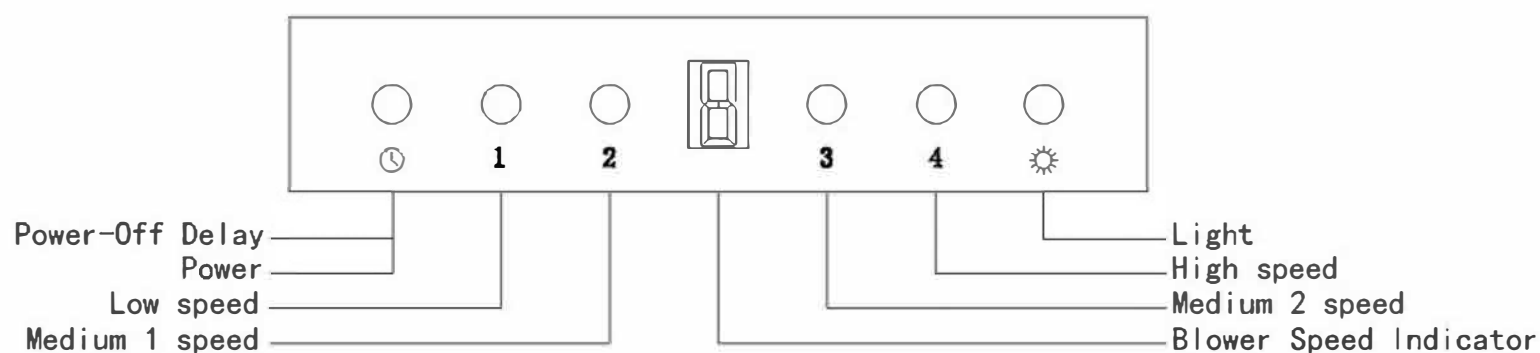


Installation (Continued)



Range Hood Operations

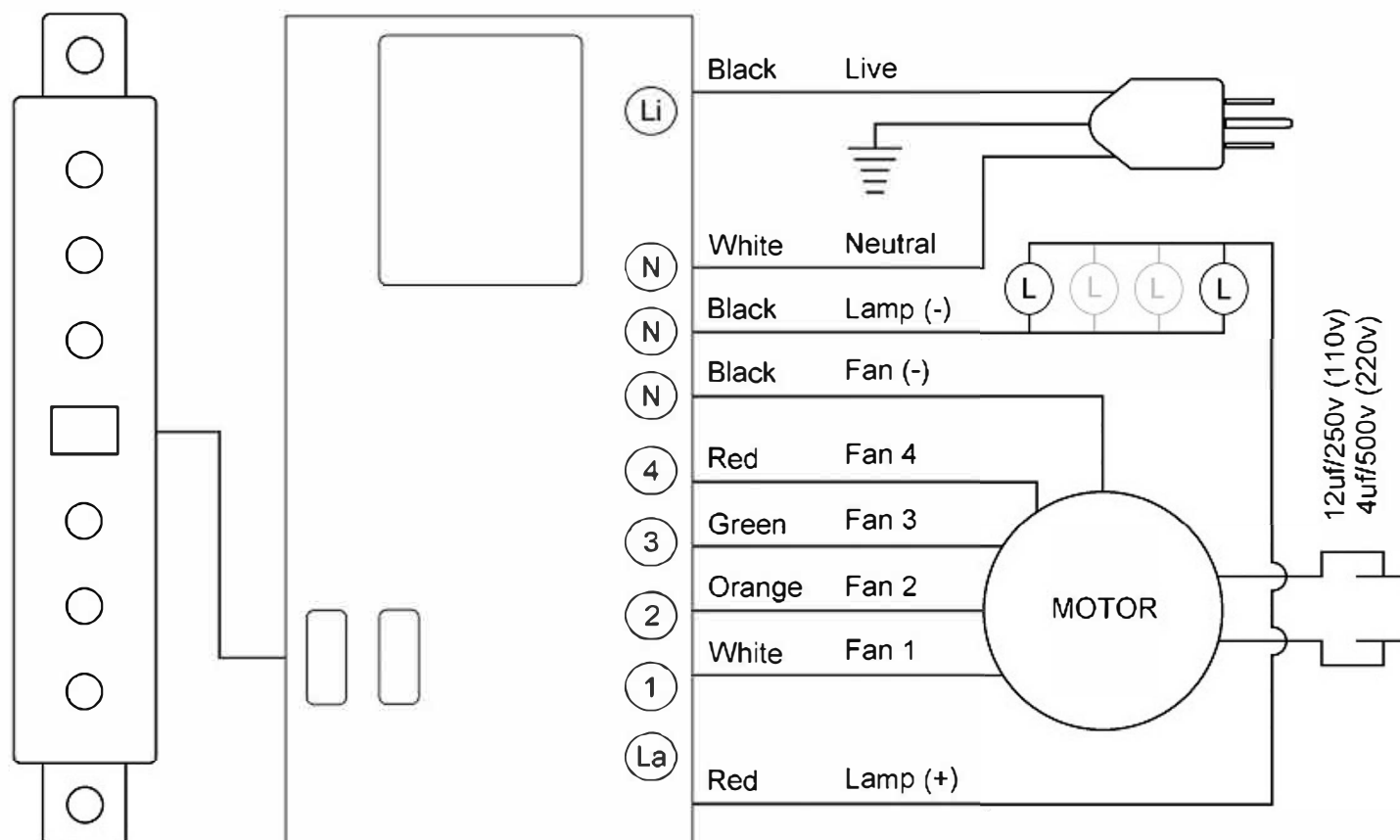
Control Panel Layout and Buttons Configurations:



- **Button Functions:**
 - **Power:** Power ON/OFF the range hood and activate power-off delay timer.
 - **Decrease Value:** Blower (motor) speed decrease.
 - **Increase Value:** Blower (motor) speed increase
 - **Blower Power Indicator:** Lights up when blower (motor) is running.
 - **Blower Speed Indicator:** Shows current blower (motor) speed (1-4).
 - **Light Power Indicator:** Lights up when lights turned on.
 - **Light:** Turns ON/OFF lights.
 - **Power-Off Delay Digital Timer:** Indicates the length of time left for delay off function.
 - **Power-Off Delay Timer Indicator:** Lights up when auto-shutdown delay timer function is on.
- **Controls:**
 - **Adjusting the blower (motor) speed:**
 - Press *Power* button once to turn on the system. The *Blower Power Indicator* icon flashes showing that the blower (motor) is ready. *Decrease Value* button will decrease the speed of the blower (motor) from 4 to 1 (strongest to quietest). *Increase Value* button will increase the speed of the blower (motor) from 1 to 4 (quietest to strongest).
 - Press *Power* button once to activate power-off delay timer.
 - Press *Power* button again to turn off the system.

Range Hood Operations (Continued)

Control Panel Layout and Buttons Configurations:

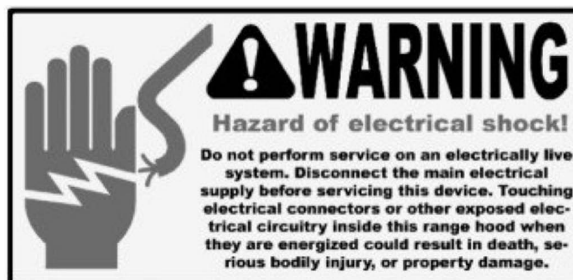


- Controls:
 - Activating the timer function:
 - While the blower (motor) is running, press *Power* button to activate delay off timer. Power-off delay indicator will lit up and power-off delay digital timer will begin to countdown, when it reaches zero, the blower (motor) will shut down.

CAUTION: DO NOT touch the lights until switched OFF and cooled.

Note: Light are independent from other settings (including power-off delay) and lights has to be manually turned on or off.

Troubleshooting



1. If the range hood or light does not operate after installation:
 - Check if the range hood has been plugged in, make sure that all power has been turned back ON, fused not blown and all electrical wiring are properly connected.
 - Swap out light assembly to working ones to determine whether it is caused by defective bulbs. See *Replacing the light bulbs* on Page 17.
2. The range hood vibrates when the blower is on:
 - The range hood might not have been secured properly on to the ceiling or wall. Check with your installer
3. The blower or fan seems weak:
 - Check that the duct sized used is at least 6" or 3-1/4 x 10". Range hood **WILL NOT** function efficiently with insufficient duct size. For example: 7" duct over 6" hole and loosely secured.
 - Check if duct is clogged or if damper unit (half-circular flapper) is not installed correctly or opening properly. A tight mesh on a side wall cap unit might also cause restriction to the air flow.
4. The lights work but the blower is not spinning at all, is stuck or is rattling.
 - The blower might be jammed or scraping the bottom due to shipping damage. Please contact us immediately.
5. The hood is not venting out properly:
 - Make sure the distance between the stove top and the bottom of the hood is within* 28" and 31" in distance. **Due to different ceiling height configurations, recommended height may not be applicable.*
 - Reduce the number of elbows and length of duct work. Check if all joints are properly connected, sealed, and taped.
 - Make sure the power is on high speed for heavy cooking.

NOTE: For all other inquiries, please contact us. Our contact information can be found on the back cover page.

Use and Care Information

Operations:

- Read and understand all instructions and warnings in this manual before operating the appliance. Save these instructions for future reference.
- Always leave safety grills and filters in place. Without these components, operating blowers could catch on to hair, fingers and loose clothing.
- NEVER dispose cigarette ashes, ignitable substances, or any foreign objects into blowers.
- NEVER leave cooking unattended. When frying, oil in the pan can easily overheat and catch fire. The risk of self combustion is higher when the oil has been used several times.
- NEVER cook on “open” flames under the range hood. Check deep-fryers during use: Superheated oil may be flammable.

Cleaning:

- The saturation of greasy residue in the blower and filters may cause increased inflammability. Keep unit clean and free of grease and residue build-up at all times to prevent possible fires.
- Filters must be cleaned periodically and free from accumulation of cooking residue (see cleaning instructions on Page 17). Old and worn filters must be replaced immediately.
- DO NOT operate blowers when filters are removed. Never disassemble parts to clean without proper instructions. Disassembly is recommended to be performed by qualified personnel only. Read and understand all instructions and warnings in this manual before proceeding.

Specifications

Specifications [*] :	
Body	Stainless Steel / Copper Color
Power Rating	120V/60Hz (USA & Canada standard)
General Input Power	66 W (60 W + 4x1.5W)
Motor Input Power	60 W
Motor Revolution	600 RPM (±10%) to 1800 RPM (±10%)
Levels Of Speed Control	4 Levels
Maximum Airflow	900 CFM
Air Pressure	320 pa
Noise Level (dB / sone)	Approximately 23 / 0.3 to 68 / 7.0 (Lowest to highest Speed)
Motor Type	Dual Chamber Ultra Quiet
Fan Type	Dual Centrifugal / Sirocco
Control Type	4 Speed Electronic Control Panels with Digital Display
Filtration Type	Stainless Steel Baffle filter
Illumination	1.5W Maximum
Venting Size	Top, 6 inches Round
Interference Protection	Radio Frequency Interference Protected

* Subject to change without notice, please contact your local reseller for details.

Maintenance

SAFETY WARNING: Never put your hand into area housing the fan while the fan is operating!

For optimal operation, clean range hood and all baffle/spacer/filter/grease tunnel/oil container regularly. Regular care will help preserve the appearance of the range hood.

Cleaning Exterior surfaces:

- Clean periodically with hot soapy water and clean cotton cloth. Do not use corrosive or abrasive detergent (e.g. Comet Power Scrub®, EZ-Off® oven cleaner), or steel wool/scoring pads, which will scratch and damage the stainless steel surface. For heavier soil use liquid degrease such as “Formula 409®” or “Fantastic®” brand cleaner.
- If hood looks splotchy (stainless steel hood), use a stainless steel cleaner to clean the surface of the hood. Avoid getting cleaning solution onto or into the control panel. Follow directions of the stainless steel cleaner. **CAUTION: Do not leave on too long as this may cause damage to hood finish.** Use soft towel to wipe off the cleaning solution, gently rub off any stubborn spots. Use dry soft towel to dry the hood.
- After cleaning, you may use non abrasive stainless steel polish such as 3M® or ZEP®, to polish and buff out the stainless luster and grain. Always scrub lightly, with clean cotton cloth, and with the grain.
- DO NOT allow deposits to accumulate or remain on the hood.
- DO NOT use ordinary steel wool or steel brushes. Small bits of steel may adhere to the surface and cause rusting.
- DO NOT allow salt solutions, disinfectants, bleaches, or cleaning compounds to remain in contact with stainless steel for extended periods. Many of these compounds contain chemicals, which may be harmful. Rinse with water after exposure and wipe dry with a clean cloth.

Cleaning Aluminum Grease Filter / Stainless Steel Filterless Grill:

IMPORTANT: Drain oil from oil containers before oil and residue overflow!

- The metal filters fitted by the factory are intended to filter out residue and grease from cooking. It need not be replaced on a regular basis but are required to be kept clean.
- Filters should be cleaned after every 30 hours of use.
- Remove and clean by hand or dishwasher. Spray “Formula 409®” or equivalent degreasing detergent and leave to soak if heavily soiled. Dry filters and re-install before using hood.

Replacing Filters:

- Should filters wear out due to age and prolonged use, please contact your local reseller for replacement filters.
- Note: Also replace damaged filter that has punctured or broken mesh, bent or broken frame.

Replacing the light bulb:

- This range hood uses GU10 bulb (please refer to the actual specification of the hood purchased):
USA/Canada:

1.5W Type GU10 120V

- Make sure the range hood is unplugged or turn OFF breaker.
- Make sure the lights are cool to touch, loosen and the light bulb will be available for removal.
- Install a new halogen light bulb and reverse the steps.
- Turn ON breaker and range hood to test for operation.



Warranty

TO OBTAIN SERVICE UNDER WARRANTY:

You must present proof of original purchase date.

Please provide an original dated proof of purchase (sales receipt / invoice) in order to obtain service under warranty.

One Year Parts Warranty:

For one year from the date of original purchase, your local reseller will provide free of charge, non-consumable replacement parts or components that failed due to manufacturing defects. Subject to the conditions and limitations set forth below, your local reseller will, at its option, either repair or replace any part of its products that prove defective by reason of improper workmanship or materials. Repaired parts or replacement products will be provided by your local reseller on an exchange basis, and will be either new or refurbished to be functionally equivalent to new. The consumer is responsible for all shipping costs. Consumable parts not covered by this warranty include but not limited to: Light bulbs, metal, aluminum and charcoal filters.

Who is Covered:

This warranty is extended to the original purchaser for products purchased for ordinary home use.

This Warranty Will Be Voided When:

Product damaged through negligence, improper installation, accident, abuse, misuse, natural disaster, insufficient or excessive electrical supply, abnormal mechanical or environmental conditions, or any unauthorized disassembly, repair, modification, or failure to follow installation instructions. When product is used commercially or other than its intended purpose. Damaged because of improper connection with equipment of other manufacturers. Repaired or modified by anyone other than your local reseller's authorized agents. This limited warranty also does not apply to any product on which the original identification information has been altered, obliterated or removed, has not been handled or packaged correctly or has been sold as second-hand.

What is Not Covered:

Consumable parts such as light bulbs, metal and charcoal filters. The natural wear of finish, and wear due to improper maintenance, use of corrosive and abrasive cleaning products, pads, and oven cleaner products. Chips, dents or cracks due to abuse, misuse, freight damage, or improper installation. Damage of product caused by accident, fire, floods or act of God. The manufacturer and/or distributor/reseller is not liable for, and does not cover under warranty, any loss of properties or any costs associated with removing, servicing, installing, or determining the source of problems with this product.

This warranty is valid in the country of the original purchase at retail. It is non-transferable and applies only to the original purchaser and does not extend to subsequent owners of this product. Any applicable implied warranties, including the warranty of merchantability, are limited in duration to a period of express warranty as provided herein beginning with the date of original purchase at retail and, no warranties, whether express or implied, shall apply to this product thereafter.

To obtain warranty service, you may contact your local reseller from which you purchased this product. Please confirm the terms of your local reseller's policies prior to contacting. Typically, you must include product identification information, including model number and serial number with a detailed description of the problem you are experiencing. You must also include proof of the date of original retail purchase as evidence that the product is within the applicable warranty period.

Disclaimer

Carefully inspect all items for damages before accepting delivery. Note any damages on the freight bill or express receipt. Request name and signature of the carrier's agent and keep copy to support your claim. Upon acceptance of items, owner assumes responsibility for its safe arrival. Report damages to the carrier and file a claim immediately. Failure to do so may result in the denial of your claim. The carrier will furnish you with necessary forms for filing a claim.

Damages caused during transit are not covered under our warranty. Please contact us to file an insurance claim.

Please inspect contents of package(s) carefully upon receiving! We must be notified of any damages and/or missing parts within five (5) days upon your receipt of package(s). Claims will not be accepted after five (5) days. NOTE: Items were thoroughly tested and carefully packed in our factory before shipping.

Products must be returned in good working condition with ALL original parts and documentation packed in ALL original cartons, fillers and shipping cartons. A restocking fee of 15% will be charged for all approved return(s). Exchanges or returns may not be accepted if any packaging is missing.

Make sure to inspect the hood for damages and defects before installation. Appearance flaws of the hood found after installation and not affecting hood performance is not covered under our warranty for returns or exchanges. Service visits not covered under warranty will carry a service charge.

Before Installation: Return for exchange or refund (please see above for acceptable returns).

After Installation: **NO** exchange or refund.

Contact Us

If you need any assistance, please contact your local reseller. Please have your order number and model of the range hood ready. This information will help them better respond to your request.

If you need replacement parts, we recommend that you only use genuine parts. Our accessories and parts are engineered and designed specifically for this series of range hood, each is rigorously tested assuring the utmost in durability and reliability, providing a factory match, factory-installed appearance and functionality tailored to each individual range hood model.