

TUB FEET INSTALLATION WITH BAR

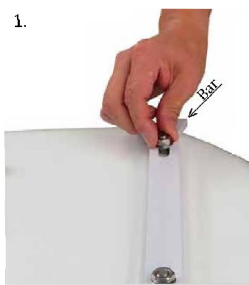
Tools Needed

- 11/16 Wrench • 3/4" Wrench •

Parts Included

- 2 Bars • 4 Mounting Bolts • 4 Flat Washers • 6 Locking Washers • 6 Nuts •

- A. Roll top tubs have the drain located at the end of the tub and tilt toward the drain so the two tallest feet must be attached on the end without the drain. The two shortest feet must be attached on the drain end.
- B. Double roll top and double slipper tubs have the drain located in the center of the tub so no tilt is necessary as the bottom is slanted toward the drain. All four feet should be the same.



1. Place tub upside down onto a soft cloth/blanket to prevent from damage.
(Note: For roll top tub slide under rim 2X4 wooden block to elevate the tub from one side. This will help turn the tub over when finished)
2. Once the tub is turned upside down remove washers and nuts from the threaded studs.
3. Position mounting bars over the threaded studs on both ends.
4. After bars are in place thread a washer and nut onto each stud by hand. Do not tighten until foot is attached. **(Shown in image 1)**
5. Attach feet onto the bars using flat washer, locking washer and bolt. **(Shown in Image 2)**
6. Finish tightening the bars once the feet are attached securely
(DO NOT OVER TIGHTEN MAY CRACK THE TUB)
7. Lift tub by the rim and turn onto its feet. If tub is not level use built-in adjuster under the foot. DO NOT LIFT TUB BY FEET

TUB FEET INSTALLATION WITHOUT BAR

Tools Needed

- 11/16 Wrench •

Parts Included

- Rubber Shims(If Included) • 4 Dovetail Bolts • 4 Flat Washers • 4 Locking Washers • 4 Nuts •

For some tubs you will find letters inside your tub foot to correspond with letters on the bottom of your tub as a guide to foot placement. If these are not present on your tub use following as a general guide.

- A. Roll top tubs have the drain located at the end of the tub and tilt toward the drain so the two tallest feet must be attached on the end without the drain. The two shortest feet must be attached on the drain end.
- B. Double roll top and double slipper tubs have the drain located in the center of the tub so no tilt is necessary as the bottom is slanted toward the drain. All four feet should be the same.

1.



1. Place tub upside down onto a soft cloth/blanket to prevent damage. (Note: For roll top tub slide under rim 2X4 wooden block to elevate the tub from one side. This will help turn the tub over when finished)
2. Once the tub is turned upside down slide a dovetail bolt into each mounting pod. **(Shown in image 1)**
3. Put foot onto the dovetail bolt. Secure foot by using locking washer and nut. (It is normal to have small gaps between foot and tub wall).
- 4 . Lift tub by the rim and turn onto its feet.
5. Loosen the bolts and let the tub settle into place on the feet. Tighten the bolts.
6. If tub is not level use built-in adjuster under each foot.
DO NOT LIFT TUB BY FEET

FREESTANDING ACRYLIC TUB INSTALLATION INSTRUCTIONS

Tools Needed

- Screws or Liquid Nails • Wooden Blocks • Pencil •

Be sure to re-inforce the floor before securing tub. We recommend 2- 2"x12"s securely fastened to floor beams where you plan to secure your tub.

Stabilize Tub to Prevent Sliding



1. Place tub in intended position on floor.
2. Use pencil to trace around tub on floor.
3. Move tub to the side to allow work space.
4. Place wooden blocks on floor **inside** traced pattern of tub. Blocks can be secured to floor using screws or liquid nails.
5. Put tub back into position over wooden blocks. Wooden blocks will not be visible and will prevent tub from sliding across floor.
6. Once the tub is position and secure, apply small bead of sealant around the base.

CLAW FOOT ACRYLIC TUB INSTALLATION INSTRUCTIONS

Tools Needed

- Wrench or socket • Drill & Bits •

Parts Recommended

- 2-2"x12" boards • 4 Lag Bolts • 4 Flat Washers

Be sure to re-inforce the floor before securing tub. We recommend 2- 2"x12" securely fastened to floor beams where you plan to secure your tub.

Anchor Tub to Floor

1. Place tub in intended position on floor.
2. Mark foot anchoring locations on floor with pencil.
3. Move tub to the side to allow work space.
4. Drill starter holes in floor.
5. Put tub back into position.
6. Place flat washers on lag bolts.
7. Put lag bolts through slot in bottom of foot and screw into floor using wrench or socket.



INSTALLATION INSTRUCTIONS

Parts Included

- 1 Valve Body • 1 Shower Head • 1 Hose • 1 Cradle • 4 Washers • 1 Elephant Spout • 2 6" Elbow Mounts •
• 2 Cone Washers • 2 Large Locknuts • 2 Connecting Nuts •

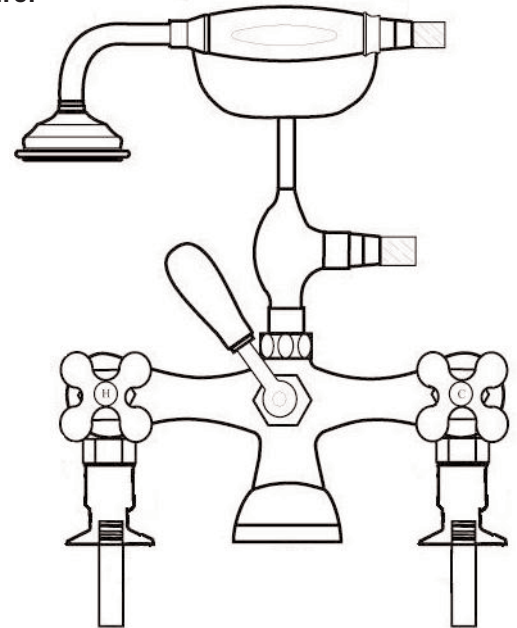
Tools Needed

- Adjustable Wrench • Slip Joint Pliers • Pipe Putty or Teflon Pipe Tape •

NOTE: Handles are identified HOT and COLD. The hot handle must be to the left and cold to the right. Be sure the water supply is turned off before starting installation. Cushion the wrench or slip joint pliers with an old cloth to protect the finish of the fixture.

Shower Assembly & Tub Mount Instructions

1. Turn off the water supply.
2. Align the valve assembly with the elbow mounts and secure with the nuts on the elbow mounts. Tighten with a wrench or pliers.
3. Apply teflon tape to both ends of the hot and cold supply nipples. Tread the tapered ends of the nipples into the elbow mounts on the outside of the tub. Thread the large locknuts onto the other ends of the nipples and secure the shower set to the tub.
4. Install a washer in the cradle nut and thread the cradle onto the valve assembly. Tighten with a wrench.
5. Install washers on the hose ends and attach the hose to the cradle and shower head. **DO NOT OVER TIGHTEN.**
6. Connect the water supply nipples to the water supply tubes for tub mounting of the water supply tubes with 1/2" threads. For mounting of the shower set to the house water supply line see your local plumber.



To Connect Shower Set to Tubes

1. First remove the round rubber washer from the end of each water supply tube and dispose of them.
2. Put the cone washers on the tub and connect the end of each water supply tube. Then slide the 1/2" connecting nuts over the opposite ends of the supply tubes and up to the cone washers.
3. Twist the connecting nuts over the cone washers and thread the nuts onto the nipples.
4. Connect the other ends of the water supply tubes to your house water lines. Consult your local plumber for assistance.

NOTE: Please seek professional help if you have copper plumbing in your home.

Cleaning Instructions

Wipe this whole set off with warm water and a soft cloth. **DO NOT** use soaps, cleansers, or brass cleaners as they will disintegrate the protective lacquer coating and leave the brass exposed causing it to tarnish.

INSTALLATION INSTRUCTIONS

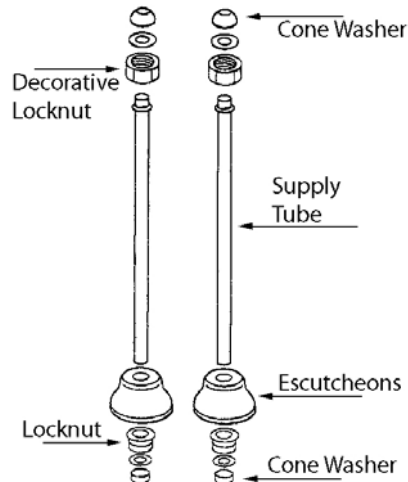
Parts Included

- 4 Cone Washers • 2 Decorative Locknuts • 2 Supply Tubes •
- 2 Escutcheons • 2 Locknuts •

Tools Needed

- Adjustable Wrench • Set of Crescent Wrenches • Pliers • Teflon Tape (use as a sealant on all male threaded tubing) •

This water supply tube kit includes the parts listed above ONLY. The faucet must be purchased separately.



To Assemble Tubes

1. First be sure to shut off the the water supply. Remove old water supply tubing. Put a cone washer, with the wide end of the washer inward, onto the upper end of each supply tube.
2. Slide a decorative locknut up to the top of each supply tube and put on a cone washer.
3. On the bottom of each supply tube, slide one of the escutcheons up the tube partway, then slide the locknut up the end of each tube directly under the escutcheon.
4. Put another cone washer with the wide end of the washer upward onto the bottom end of the tube.

To Install Tubes

1. Attach the bottom end of each supply tube to the water supply tubing in your floor by screwing the locknut down tightly. Let the escutcheons slide down to the floor.
2. Attach the upper end of one supply tube to the “cold side” faucet supply tube located on the rear of your tub by inserting the supply tube into the faucet supply tube and tightly screw the decorative locknut over the two for a tight fit.
3. Repeat steps 1-2 using the other supply tube and connecting it to the “hot side” faucet supply tube.

NOTE: Please seek professional help if you have copper plumbing in your home.

Cleaning Instructions

Wipe this whole set off with warm water and a soft cloth. DO NOT use soaps, cleansers, or brass cleaners as they will disintegrate the protective lacquer coating and leave the brass exposed causing it to tarnish.

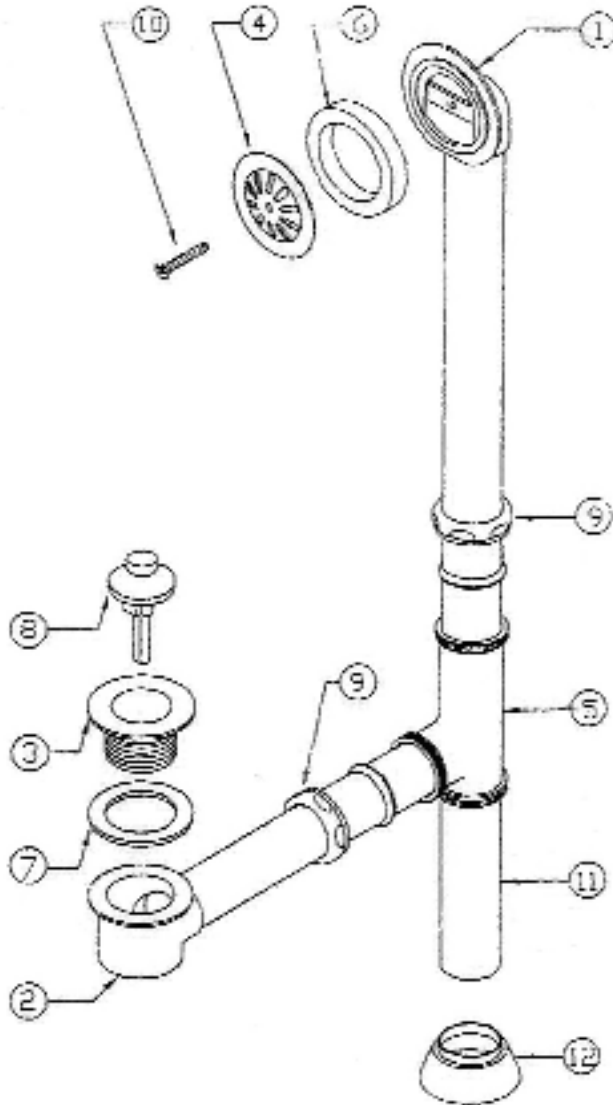
INSTALLATION INSTRUCTIONS

Parts Included

- Top Overflow Tube (1) • Bottom Shoe (2) • Top Waste Flange (3) • Face Plate (4) • Exposed Tee (5) •
- Face Sponge Gasket (6) • Waste Gasket (7) • Lift Stop (8) • 2- 1 1/2" Nut and Washers (9) • Face Plate Screw (10) •
- 1 1/2" x 6" Tube (11) • 1 1/2" O.D. Escutcheon (12) •

Tools Needed

- Wrench • Pliers • Teflon Tape (use as a sealant on all male threaded tubing) • Tube Cutter • Plumbers Putty •



To Assemble Tubes

1. Assemble #3 and #8 screw into #2. #7 is on top of #2 beneath the tub. Place a bead of plumbers putty around bottom of #3, to seal to tub and protect from leaks. Then tighten #3 into #2.
2. Assemble overflow. (Follow diagram)
3. Set #1 in place.
4. Place Tee (#5) on shoe.
5. Trim bottom of tube #1 to fit into Tee (#5).
6. Trim tube #11 to fit.
7. Tighten the nuts.

Cleaning Instructions

Wipe this whole set off with warm water and a soft cloth. DO NOT use soaps, cleansers, or brass cleaners as they will disintegrate the protective lacquer coating and leave the brass exposed causing it to tarnish.

NOTE: Please seek professional help if you have copper plumbing in your home.