

FEATURED MODEL

441622 CULINA Mini Pull Down CHROME

ADDITIONAL MODELS

- 441623 CULINA Mini Pull Down SATIN NICKEL
- 441624 CULINA Mini Pull Down 1.8 gpm CHROME
- 441625 CULINA Mini Pull Down 1.8 gpm SATIN NICKEL

FEATURES

- Professional look great for open plan spaces
- AB1953 Compliant under NSF Annex G certification.
- A gracefully flexible steel spring spout provides maximum free range.
- The streamlined closed coil is also easier to keep clean.
- Quick release magnetic hand spray is easy to use and effortlessly snaps back to their original position just by holding the spout near the magnetic feature.
- Dual spray feature on hand spray.
- Easy to clean rubber nubbins on spray head make it easy to clean calcium and lime deposits with your finger.
- Solid brass construction
- Ceramic disc cartridge
- 2.2 GPM Rate
- Installation in a 1-3/8" hole
- Limited Lifetime Warranty
- ADA compliant

CODE/STANDARDS COMPLIANCE

ASME A112.18.1-2005
 NSF 61 certified in conformance with Uniform Plumbing Code
 NSF 61 ANEX G low lead requirements
 Meets ADA requirements
 CMR 248 - MA

WARRANTY

Blanco America's faucets feature a LIMITED LIFETIME WARRANTY to be free of all manufacturing defects under normal use. See our complete warranty for details. While Blanco America endeavors to provide accurate information, all dimensions are nominal, cannot be guaranteed, and are subject to change or cancellation. Blanco America assumes no responsibility for use of superseded or voided specifications.

JOB INFORMATION

Job Name: _____

Contact: _____

Date Specified: _____

Specifier: _____

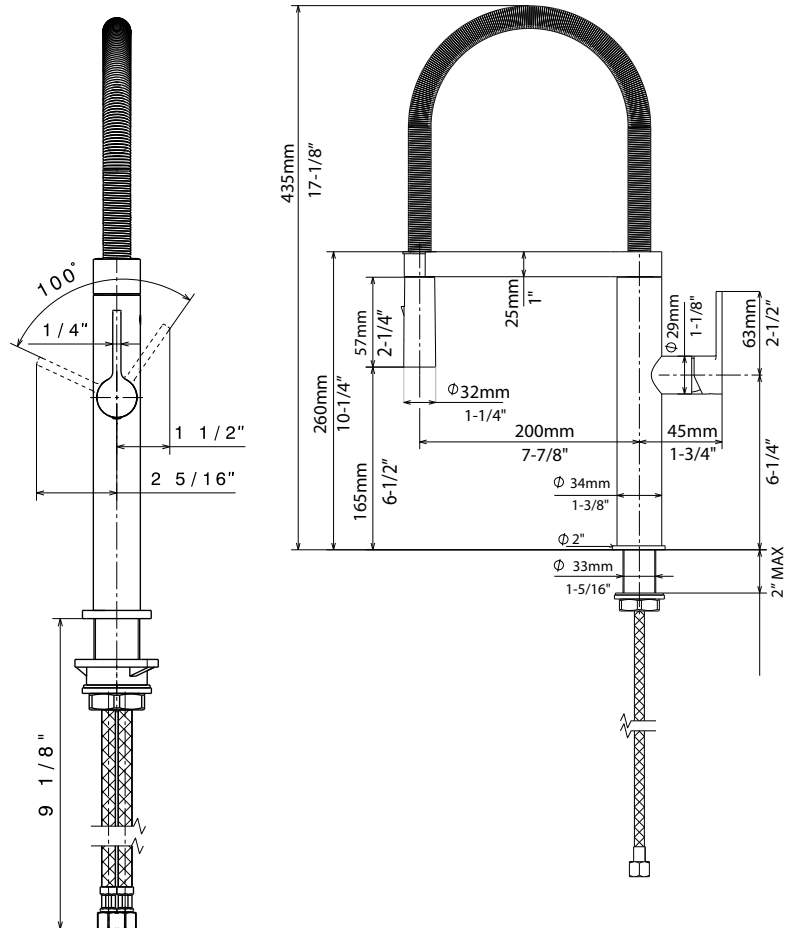
Contractor: _____

NOMINAL DIMENSIONS

REACH: 7-7/8"

SPOUT HEIGHT: 6-1/2"

FAUCET HEIGHT: 17-1/8"



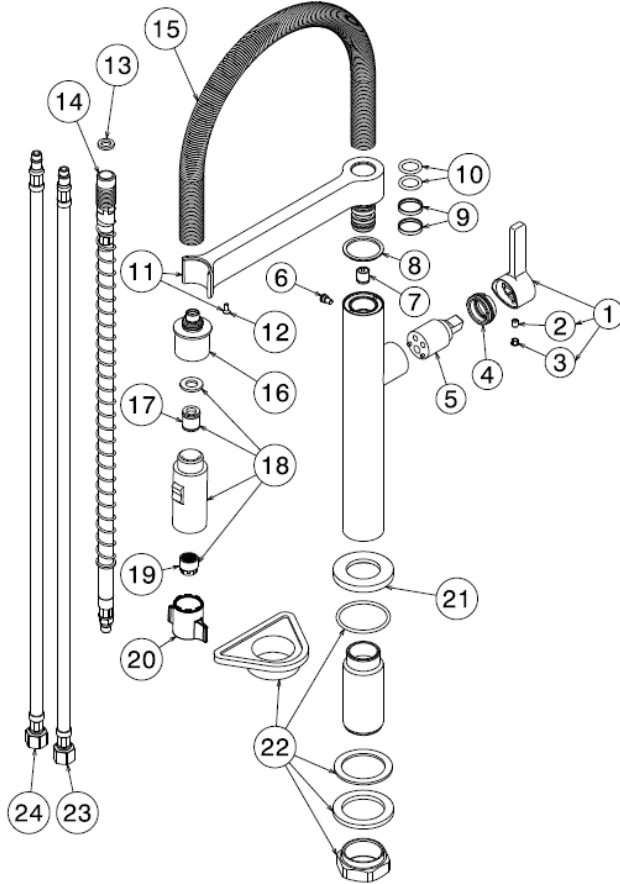


Diagram #	Description	Part #
1	Chrome Lever Handle	441707
1	Satin Nickel Lever Handle	441708
2,3	Lever Screw and Cover Chrome	441709
2,3	Lever Screw and Cover Satin Nickel	441710
4	Cartridge Locknut Chrome	441711
4	Cartridge Locknut Satin Nickel	441712
5	Cartridge	441583
6	Set Screw Body	440876
7	Check Valve	441713
8,9,10	O-Ring Kit	441714
11,12	Docking Arm w/magnet Chrome	441715
11,12	Docking Arm w/magnet Satin Nickel	441716
13,14,16	Spray Hose Assembly	441717
15	Coil Assembly	441718
17	2.2 GPM Flow Regulator	441448
18	Chrome Spray Head	441719
18	Satin Nickel Spray Head	441720
19,20	Aerator and Tool	441721
22	Mounting Hardware	441722