

FEATURED MODEL

515822 Single, 10" bowl depth

ADDITIONAL MODELS

516223 Single, 10" bowl depth

516224 Medium, 10" bowl depth

FEATURES

- Required outside cabinet: 27"
- 18 gauge, 304 series stainless steel
- 18/10 chrome/nickel content
- Handcrafted from a single panel of stainless steel
- 10mm radius corners
- Elegant and functional drain grooves
- Satin Polished Finish
- Sound deadening pads
- Rear drain placement
- 16" design allows easy install in standard 25" countertops

OPTIONAL ACCESSORIES

Stainless Steel Sink Grid:	223190
Glass Cutting Board:	224390
Colander:	224387
Walnut Compound Cutting Board:	232002

CODE/STANDARDS COMPLIANCE

ASME 112.19.3-00
IAPMO/UPC listed

WARRANTY

Blanco America's STEELART™ sinks feature a LIMITED LIFETIME WARRANTY to be free of all manufacturing defects under normal use. See our complete warranty for details.

While Blanco America endeavors to provide accurate information, all dimensions are nominal, cannot be guaranteed, and are subject to change or cancellation. Blanco America assumes no responsibility for use of superseded or voided specifications.

JOB INFORMATION

Job Name: _____

Contact: _____

Date Specified: _____

Specifier: _____

Contractor: _____

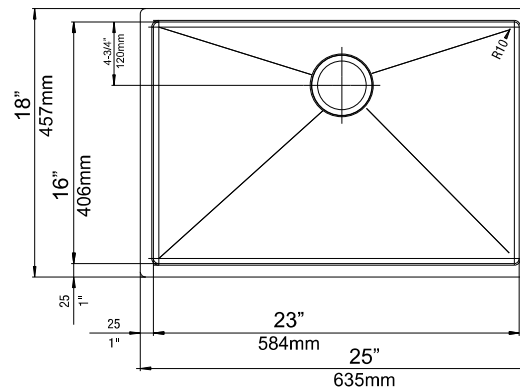


NOMINAL DIMENSIONS

Model 515822 shown

OVERALL	CUT OUT SIZE	BOWL DEPTH	DRAIN
25" x 18"	Template provided with approximate 1/8" reveal	10"	3-1/2"

DXF cutout templates available on our website.



BLANCO AMERICA

800.451.5782

www.blancoamerica.com

© 2013 BLANCO AMERICA

7/13

SPEC-003