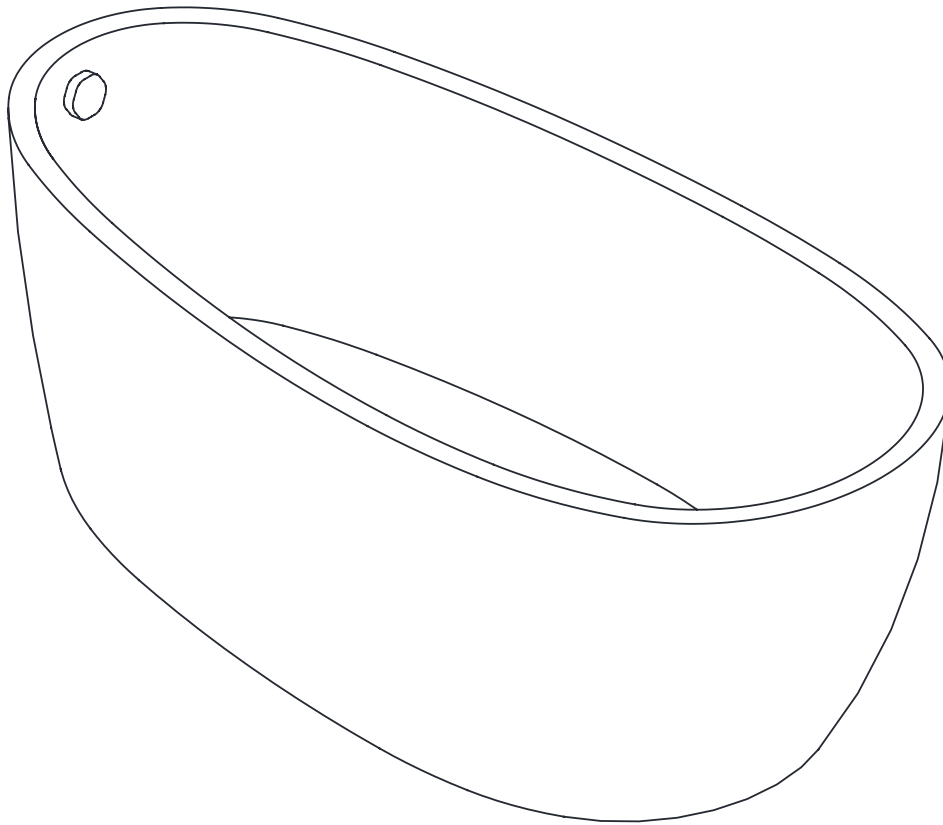


VIOLET 69" FREESTANDING ACRYLIC TUB

CA401004



An installation guidelines video can be found at:
Un vidéo d'installation général peut être visionné à:
Un video de las pautas de instalación se puede encontrar en:

<http://youtu.be/EmpHvs4Y-ko>

Installation Manual

- Carefully read the instructions before starting the installation.
- This bathtub should be installed by an experienced plumber.
- Drain pipe and drain trap are not supplied. Connect to an existing drain pipe.

**If you are missing any part, please stop and contact us immediately at:
866-837-2550**

Manuel d'installation

- Lire attentivement ces instructions avant de débiter l'installation.
- Ce bain devrait être installé par un plombier professionnel.
- Drain et trappe non fournis. Connecter à un drain existant.

**En cas de pièces manquantes, vous êtes priés d'arrêter et de nous contacter au:
866-837-2550**

Manual de instalación

- Lea las instrucciones antes de comenzar la instalación.
- Esta bañera debe ser instalado por un experimentado plomero.
- Tubo de desagüe y sifón no se suministran. Conectarse a una tubería de drenaje.

**Si le faltan cualquier parte, por favor parar y contacto inmediatamente en:
866-837-2550**

VIOLET 69" FREESTANDING ACRYLIC TUB

Installation



CAUTION

You will need at least two people to install this product properly.

In order to reduce the risks of personal injuries, do not support or lift the bathtub by the rim. Provide adequate support under the feet.

The distributor is not responsible for any damage to the unit or personal property caused by improper installation. If you disregard instructional warnings, you will void your warranty and possibly deal with water damage.

- Unpack and inspect the bathtub for damage. Return the bathtub to the carton until you are ready to install.
- Install the bathtub on an adequately supported, level floor.
- Before installation, ensure proper access to the final plumbing connections.

ATTENTION

L'installation de ce produit requiert la participation d'au moins deux personnes.

Afin d'éviter les risques de blessures, ne pas soulever la baignoire par les rebords. Fournissez un support adéquat sous les pieds du bain.

Le distributeur se dégage de toute responsabilité pour tout dommage au bain ou à la propriété résultant d'une installation inadéquate. Si vous ignorez les recommandations, votre garantie sera nulle et vous pourriez subir des dégâts d'eau.

- Déballez la baignoire et examinez-la soigneusement pour déceler tout dommage. Remettez la baignoire dans son emballage de protection en attendant de commencer l'installation.
- Cette baignoire doit avoir le support nécessaire sur un sol mis à niveau.
- Avant l'installation, assurez-vous d'avoir suffisamment d'accès pour toute la plomberie finale.

ATENCIÓN

Se necesitan al menos dos personas para instalar este producto correctamente.

Riesgo de lesiones personales. No sostenga ni levante la bañera por el borde. Coloque un soporte adecuado debajo de los pies.

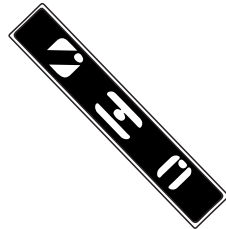
El distribuidor no se responsabiliza de ningún daño a la unidad ni a propiedades personales causados por la instalación inadecuada. Si usted ignora las advertencias de instalación, perderá la garantía y podría sufrir daños causados por fuga de agua.

- Desempaque e inspeccione la bañera para detectar cualquier daño. Vuelva a colocar la bañera en el cartón hasta que esté listo para instalarla.
- Instale la bañera sobre un piso con soporte adecuado y nivelado.
- Antes de la instalación, asegúrese de que tenga suficiente acceso a las conexiones finales de plomería.

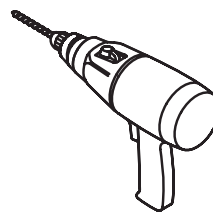
TOOLS REQUIRED / OUTILS REQUIS / HERRAMIENTAS NECESARIAS



Pencil
Crayon
Lápiz



Level
Niveau
Nivel



Drill
Perceuse
Taladro



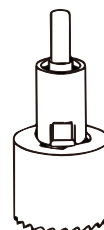
Silicone
Silicone
Silicona



Measuring Tape
Ruban à mesurer
Cinta medidora



Adjustable key
Clé ajustable
Llaves ajustables



Hole saw
Scie emporte pièce
Sierra perforadora

Plus:
Fabric cloth to protect the bath.

Plus :
Tissu pour protéger le bain.

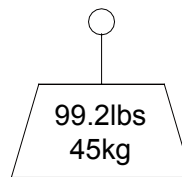
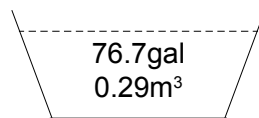
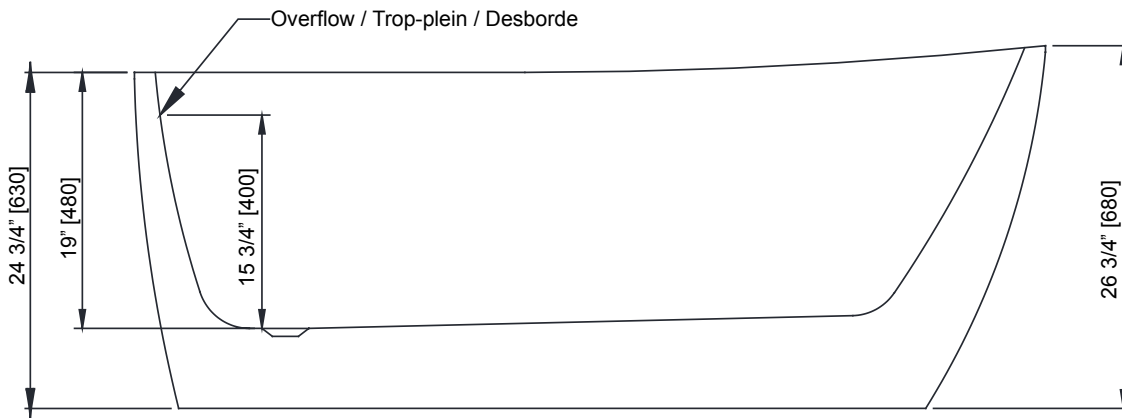
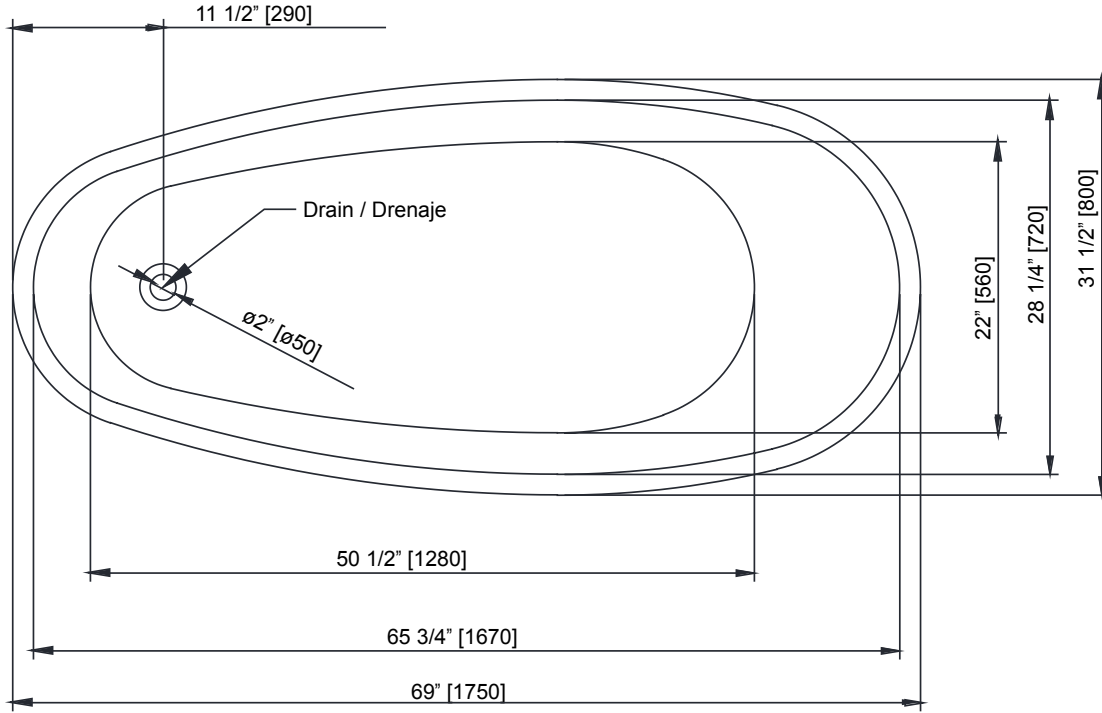
Más:
Tela para proteger la bañera.

VIOLET 69" FREESTANDING ACRYLIC TUB

Installation



Measures: inch [millimeter]
 Mesures: pouce [millimètre]
 Medidas: pulgadas [milímetros]



FLOOR TRACING TEMPLATE / GUIDE DE TRAÇAGE / GUÍA DE SEGUIMIENTO



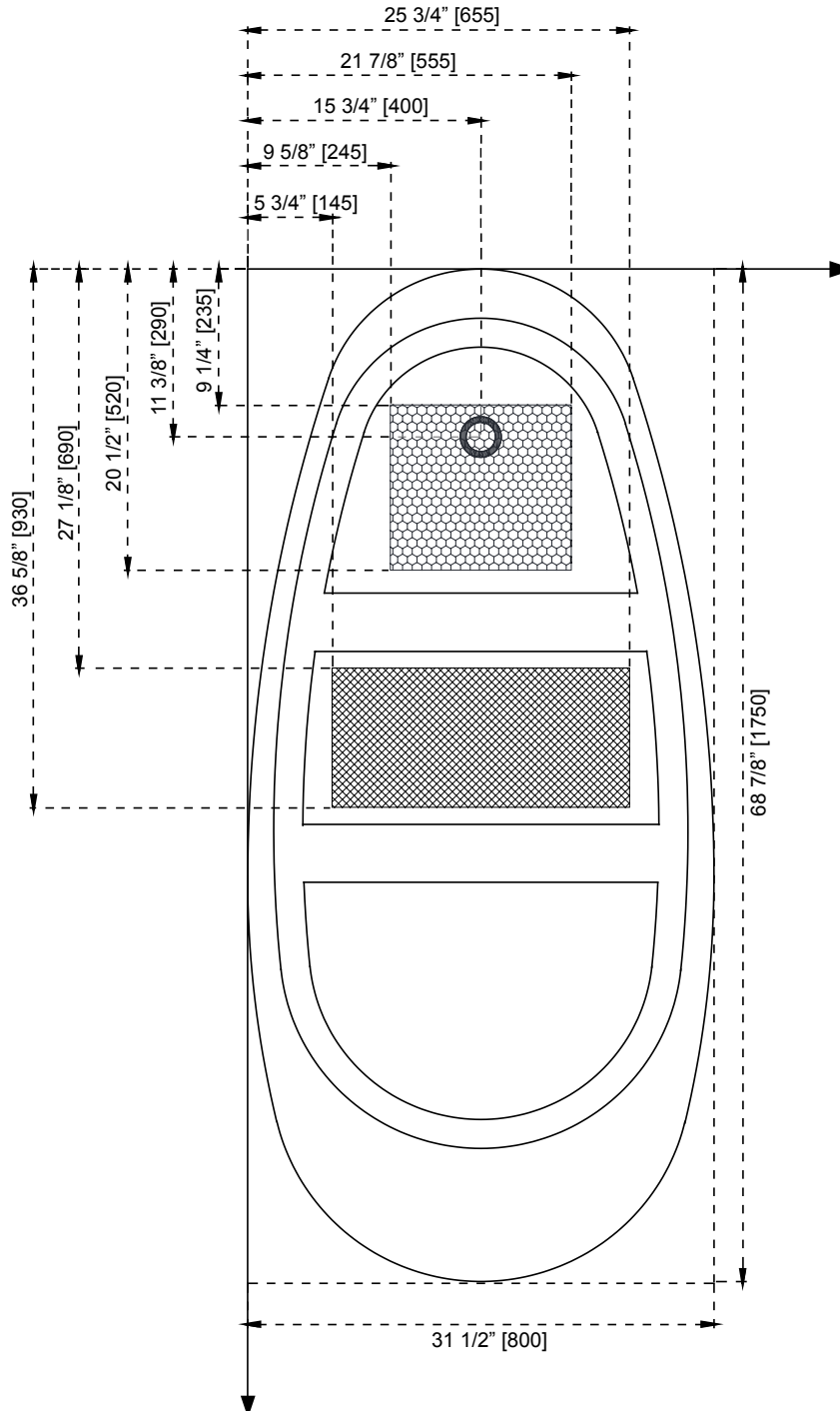
Zone for P-Trap & Waste Outlet floor cut-out
Zone pour ouverture dans le plancher pour P-Trap & tuyauterie de décharge
Zona de abertura en el piso de la P-trampa y la tubería de descarga



Extra zone for P-Trap & Waste Outlet floor cut-out
Zone extra pour ouverture dans le plancher pour P-Trap & tuyauterie de décharge
Zona adicional para abertura en el piso de la P-trampa y la tubería de descarga



Drain
Drain
Drenaje



VIOLET 69" FREESTANDING ACRYLIC TUB

Installation



IMPORTANT

- Drawings are for reference ONLY. This guide illustrates installation best practices.
- Carefully read the instructions before starting the installation.
- This bathtub should be installed by an experienced plumber.
- Make sure the floor drain is already installed and is compliant with your local regulations.
- Piping and drain trap are not supplied.




IMPORTANT

- Les illustrations sont pour référence SEULEMENT. Ce guide illustre les bonnes pratiques d'installation.
- Attentivement lire ces instructions avant de commencer l'installation.
- Ce bain devrait être installé par un plombier professionnel.
- S'assurer que le drain du plancher est préinstallé suivant la réglementation locale.
- La tuyauterie et le drain ne sont pas fournis.

IMPORTANTE

- Los dibujos son SÓLO para referencia. Esta guía ilustra las mejores prácticas de instalación.
- Lea cuidadosamente las instrucciones antes de comenzar la instalación.
- Esta bañera debe ser instalada por un plomero calificado.
- Asegúrese de que el desagüe del piso esté ya instalado de conformidad con los reglamentos locales.
- La tubería y el sifón de desagüe no están incluidos.

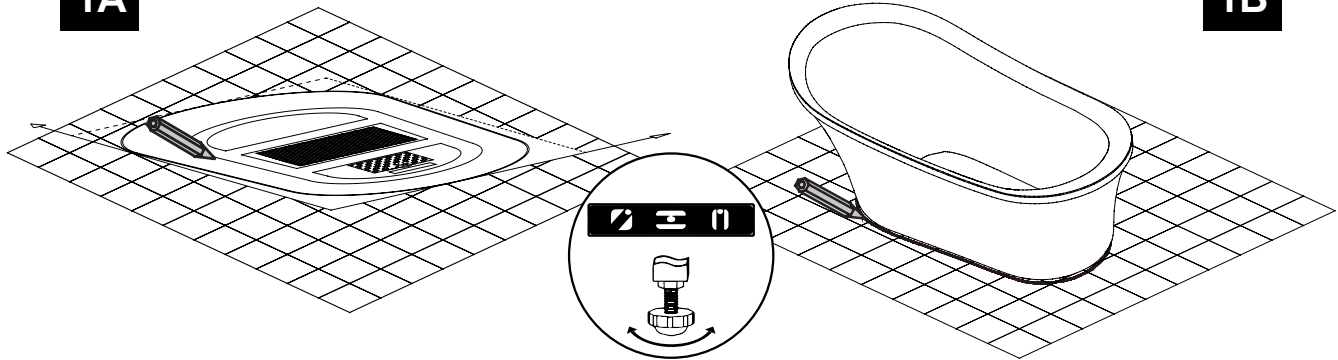
PARTS / PIÈCES / PIEZAS

PART / PIÈCE / PIEZA	DESCRIPTION / DESCRIPCIÓN
	Flexible Tube (NOT SUPPLIED) or Standard P-Trap (NOT SUPPLIED) Tube Flexible (NON FOURNI) ou Siphon-en-P standard (NON FOURNI) Tubo Flexible (NO INCLUIDO) o P-trampa estándar (NO INCLUIDO)
	P-Trap (NOT SUPPLIED) Siphon-en-P (NON FOURNI) P-trampa (NO INCLUIDO)
	Adapter (SUPPLIED) Adaptateur (FOURNI) Adaptador (INCLUIDO)

PREPARATION / PRÉPARATION / PREPARACIÓN

1A

1B



1A. Use the floor tracing template supplied in this manual to trace the proper position of your supply pipes, your drain and your P-Trap rough-in.

OR

1B. Place the bathtub in the desired position on the floor, manually locate the proper position for your plumbing and trace the outline on the floor.

2. Place the tub in the desired position and level it using the adjustable feet.

3. Remove the bathtub and put it on a throw rug to prevent damages.

1A. Utiliser le guide de traçage fourni dans ce manuel afin de positionner correctement votre entrée d'eau, votre drain, et la trappe pour siphon-en-P.

OU

1B. Placer le bain à l'endroit désiré sur le plancher, puis localiser manuellement les emplacements adéquats pour votre plomberie. Tracer leurs contours sur le plancher.

2. Placer le bain à l'endroit désiré, puis le mettre à niveau grâce aux pattes ajustables.

3. Retirer le bain et le mettre sur un tapis afin de ne pas l'endommager.

1A. Utilice la plantilla de calco suministrada en este manual para delimitar la ubicación correcta de las tuberías de suministro, la boca del drenaje y la P-Trampa áspera.

O

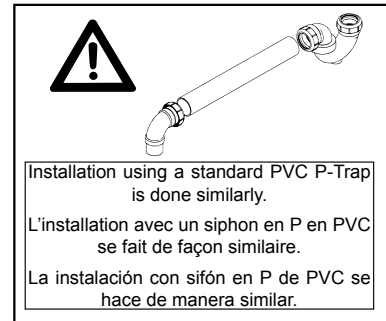
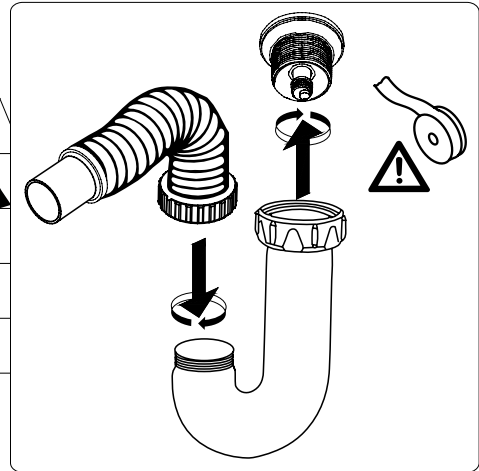
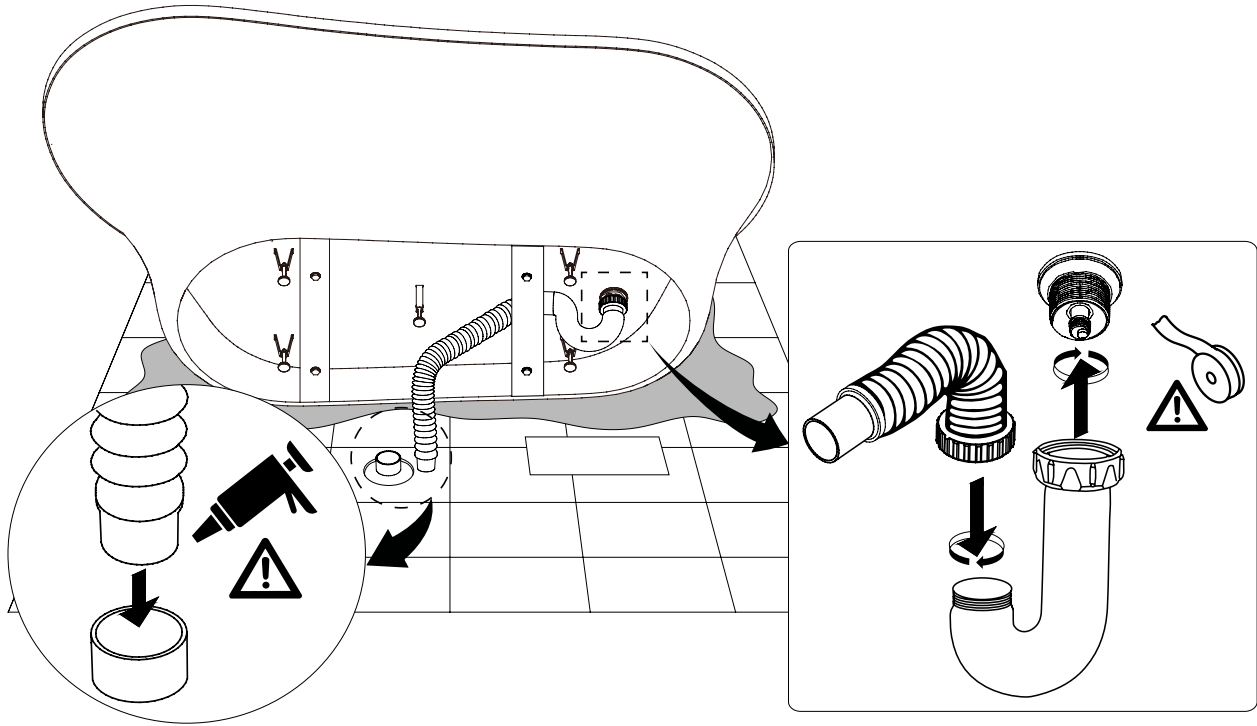
1B. Coloque la bañera en el suelo en la posición deseada, manualmente localice la posición correcta para la instalación de las cañerías y trace el contorno en el suelo.

2. Coloque la bañera en el lugar deseado y nivélela con el pie ajustable.

3. Retire la bañera y colóquela sobre una alfombra para prevenir daños.

**GUIDELINES FOR BATHTUB DRAIN INSTALLATION
DIRECTIVES POUR INSTALLATION DU DRAIN DU BAIN
DIRECTRICES PARA LA INSTALACIÓN DE DESAGÜE DE BAÑERA**

INSTALLATION (Option #1) / INSTALACIÓN (Opción #1)



Option #1

1. Install the P-Trap by screwing it to the preinstalled bathtub drain outlet. Use Teflon tape and/or sealant. Then, as shown in the illustration, connect the P-Trap to the Flexible Tube.
2. Connect the Flexible Tube to your existing floor drain as illustrated, using PVC pipe sealant to join the parts together.

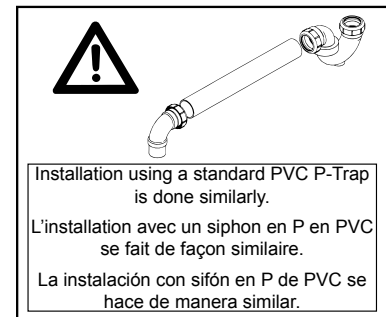
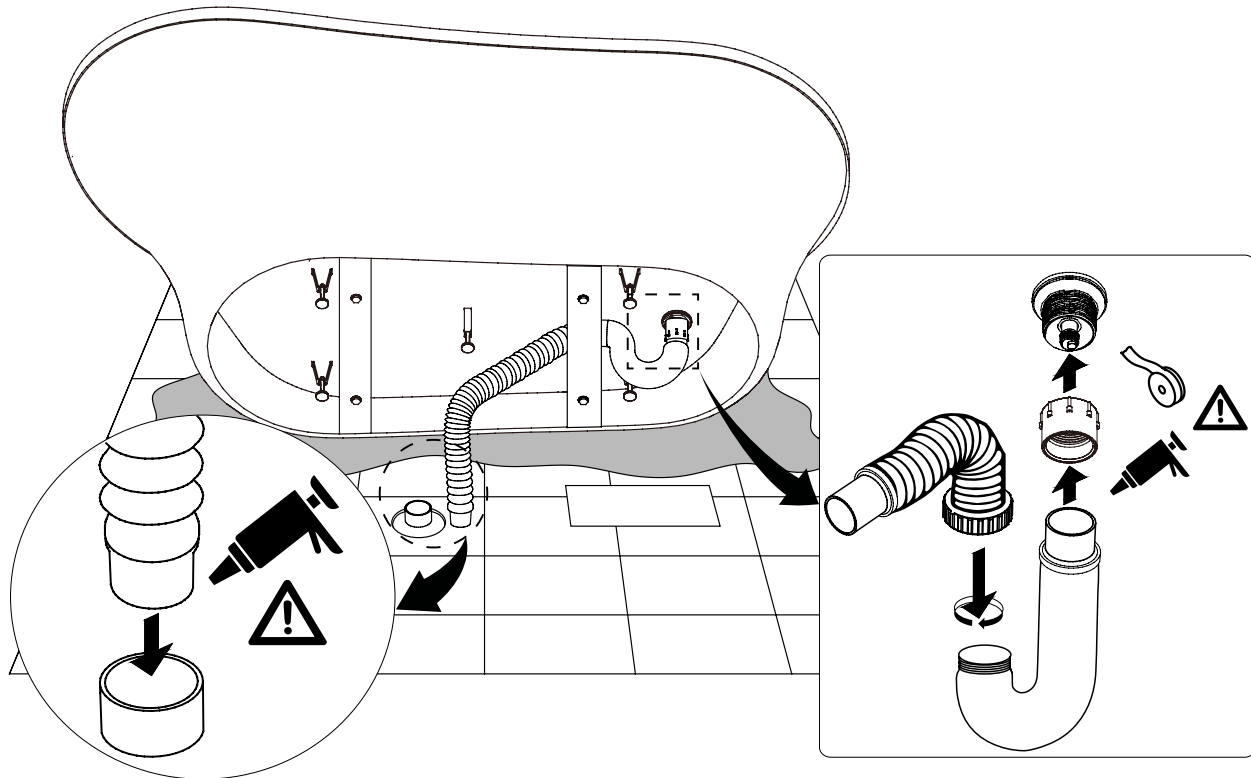
Option #1

1. Installer le Siphon-en-P en le vissant sur le drain du bain. Utiliser du ruban et/ou du scellant téflon. Ensuite, tel qu'illustré, connecter le Siphon au Tube Flexible.
2. Connecter le Tube Flexible à votre drain de plancher existant, tel qu'illustré. Utiliser du scellant à tuyau PVC afin de fixer les parties.

Opción #1

1. Instale el P-trampa atornillando en el desagüe de la bañera. El uso de la cinta y / o sellador de teflón. Entonces, como se ilustra, conectar el P-trampa para el tubo flexible.
2. Conectar el tubo flexible para el drenaje de suelo existente como se muestra. El uso de PVC sellador de tuberías para asegurar las partes.

INSTALLATION (Option #2)/ INSTALACIÓN (Opción #2)



Option #2

1. Screw the supplied Adapter to the preinstalled bathtub drain. Use Teflon tape and/or sealant.
2. Connect the P-Trap to the Adapter using PVC pipe sealant to adequately join the two parts.
3. Then, as shown in the illustration, connect the P-Trap to the Flexible Tube.
4. Connect the Flexible Tube to your existing floor drain as illustrated, using PVC pipe sealant to join the parts together.

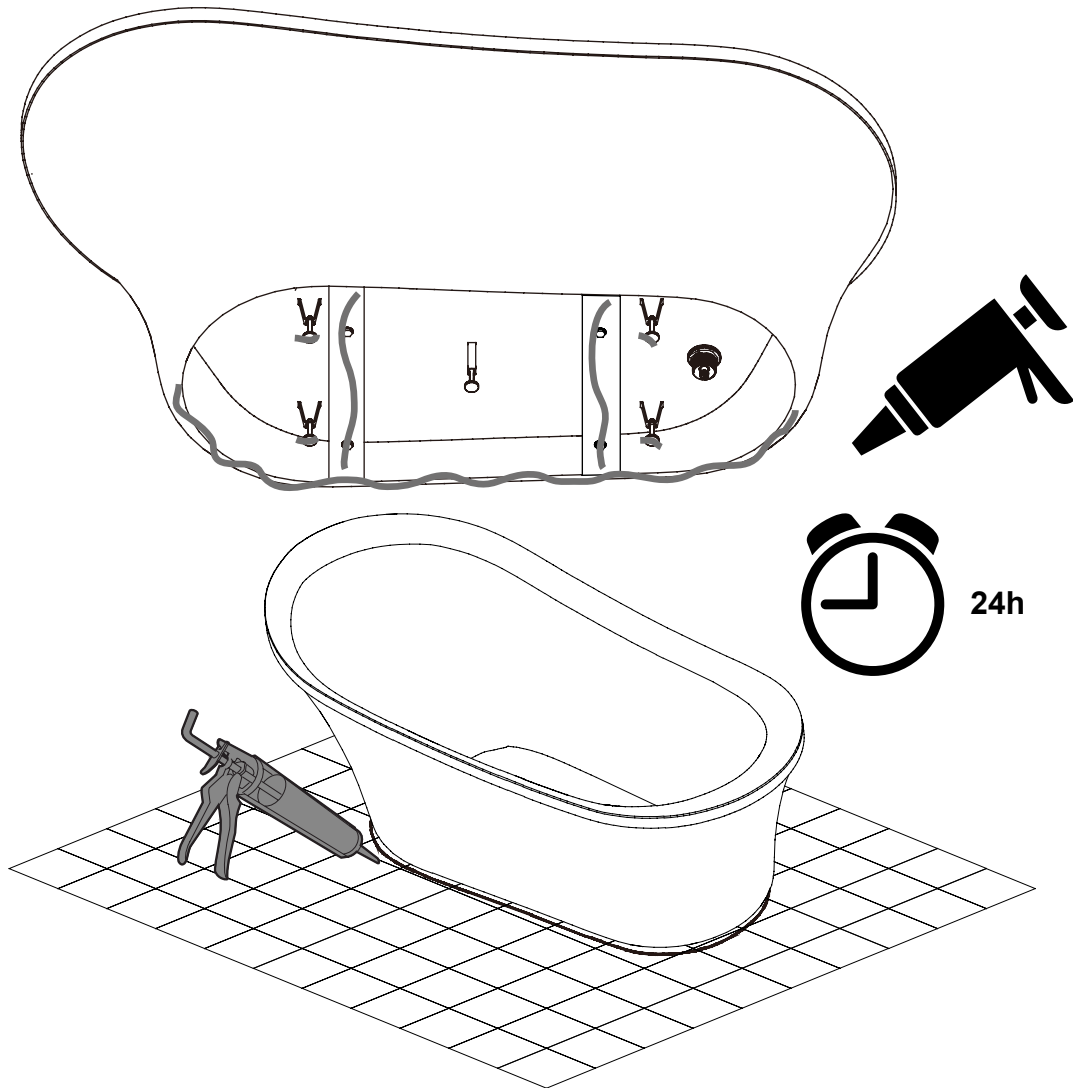
Option #2

1. Visser l'Adaptateur fourni sur le drain du bain. Utiliser du ruban et/ou scellant téflon.
2. Installer le Siphon-en-P sur l'Adaptateur. Utiliser du scellant à tuyau PVC afin de fixer les parties.
3. Ensuite, tel qu'illustré, connecter le Siphon au Tube Flexible.
4. Connecter le Tube Flexible à votre drain de plancher existant, tel qu'illustré. Utiliser du scellant à tuyau PVC afin de fixer les parties.

Opción #2

1. Atornille el adaptador incluido en el desagüe de la bañera. El uso de la cinta y / o sellador de teflón.
2. Instale el P-trampa en el adaptador. El uso de PVC sellador de tuberías para asegurar las partes.
3. A continuación, como se ilustra, conecte el P-trampa para el tubo flexible.
4. Conecte el tubo flexible para el drenaje de suelo existente como se muestra. El uso de PVC sellador de tuberías para asegurar las partes.

SECUREMENT / FIXATION / ASEGURAMIENTO



BEFORE FIXING YOUR TUB TO THE FLOOR, MAKE SURE YOU HAVE INSTALLED YOUR FAUCET (if applicable) AND THAT YOU HAVE CHECKED FOR LEAKS.

1. Test for leak by filling up the tub and let it drain. Then check all plumbing connections for leaks.
2. Fix the bathtub to the floor by applying a strong Tub & Tile Adhesive under each edges of the tub that will be in contact with the floor: The rim, the lateral bars and the feet.
3. Finally, for a professional finish, draw a bead of silicone around the base.
4. Let dry 24h.

AVANT DE FIXER VOTRE BAIN, S'ASSURER D'AVOIR INSTALLER VOTRE ROBINET (si applicable) ET S'ASSURER DE TESTER POUR LES FUITES.

1. Tester pour les fuites en remplissant votre bain, puis laisser le s'écouler. Ensuite, inspecter toute la plomberie.
2. Fixer le bain en appliquant un puissant adhésif pour bain et tuile sous chacune des parties en contact avec le plancher: le contour, les lattes latérales, et les pattes.
3. Finalement, pour un fini professionnel, appliquer un trait de silicone autour de la base.
4. Laisser sécher 24h.

ANTES DE ASEGURAR SU BAÑO, ASEGÚRESE DE QUE PARA LA INSTALACIÓN DE LA VÁLVULA (si corresponde) Y ASEGÚRESE DE QUE PARA BUSCAR FUGAS.

1. Buscar fugas rellenando el baño y dejar escurrir. A continuación, inspeccione todas las cañerías.
2. Fijar el baño mediante la aplicación de un fuerte adhesivo para baldosas de cuarto de baño y en cada una de las partes en contacto con el suelo: el contorno, listones laterales y las piernas.
3. Por último, para un acabado profesional, aplicar una línea de silicona alrededor de la base.
4. Dejar secar 24h.

Acrylic tubs have a solid surface and the color goes all the way through the acrylic, rather than being painted or sprayed on. Because it's a non-porous surface, acrylic is very easy to clean, but you'll still want to be sure the cleaning agent will not affect the finish of your tub.

RECOMMENDED CLEANERS

For routine cleaning use a non-abrasive soap. Dishwashing detergent such as Joy®, Palmolive®, Ivory®, Dawn®, etc. and a soft sponge or cloth is all you need.

For stains or marks that require something stronger, the following are safe to use: Fantastic®, Tackle®, Top Job®, Formula 409®, ScrubFree®, Calgon Bath®, Windex®, Clorox Bleach®, Spiffits® Bath, Glass Plus®, and Spic & Span Powder®.

MAINTENANCE

Scratches and dulling can be removed with a liquid polisher such as Cramer® Kitchen & Bath Acryl Star or Gel-Gloss®, or a metal polish. If your tub is lightly scratched, you can easily buff it out with polishing compound like buffing out fine scratches on a new car.

Deep scratches or burns can be removed by use of very fine sandpaper (1500 grit) and then finishing with a liquid polish. Always wet the sandpaper with water to avoid scratching the surface and use a circular motion, covering an area wider than the scratch. Follow any buffing with polishing compound on the repaired area to bring back its original shine.

CAUTION

DO NOT clean your acrylic bathtub with paint thinner, Goof Off®, Scrubbing Bubbles®, Acetone, Lacquer Thinner, M. E. K.®, or other chemicals that attack the structural integrity of plastics (including, but not limited to, acetones. Use of these chemicals will destroy the acrylic surface of your bathtub and there is no way to reverse the damage caused by this type of chemical reaction. USE OF THESE CHEMICALS WILL VOID YOUR WARRANTY.

LIMITED 1 YEAR WARRANTY



This product has been manufactured and tested to the highest quality standards by Cahaba. We offer our customers thoughtfully crafted fixtures & accessories, engineered for enduring performance over years of use.

WHO IS COVERED BY THE WARRANTY

This warranty extends to the original purchaser only. This warranty is not transferable, between homes or owners and is only applicable to residential use.

WHAT IS COVERED BY THE WARRANTY

Cahaba warrants this product against defects due to material or craftsmanship error during the 12-month warranty period:

Cahaba will provide replacement parts at no charge, or at its option, replace any product or part of the product that is deemed defective, under normal installation, use, service and maintenance.

If Cahaba is unable to provide a replacement and repair is not practical or cannot be made in timely fashion, Cahaba may elect to refund the purchase price in exchange for the return of the product.

CONDITIONS AND EXCLUSIONS

Like other home fixtures, Cahaba products will require light maintenance to ensure proper function. We provide you with complete knowledge to perform this maintenance and can also recommend resources if you are unable to fulfill this service.

- A. Cahaba will not be responsible for product failures due to lack of maintenance or proper use. Please read your care and maintenance documentation to determine the limits of proper use.
- B. The original sales receipt, order number, and/or proof of purchase must be presented at the time of the warranty claim, without exception, for this warranty to be applied to all Cahaba Classics products.
- C. Cahaba recommends installing all Cahaba products with a licensed, professional plumber. Cahaba will not be held responsible for any damage or product failure due to improper installation, misuse, or failure to use a licensed professional. Please read your care and maintenance documentation to determine the limits of proper use.
- D. Commercial use will automatically void this warranty.

NON-APPLICABILITY OF THIS WARRANTY

By the purchase and use of our products, you agree that Cahaba is not liable for incidental, consequential or special damages associated with the return, replacement, installation or use of your product. This includes freight costs, cartridge replacement, labor, travel time, lost profit, home damages and other contingent liabilities and costs (including, without limitation, costs associated with experts, investigations, analyses, attorneys and other professionals and services).

The Cahaba warranty is a comprehensive and explicit limit of liability and all items outside of it are not addressable by or the responsibility of Cahaba. Certain states have variances regarding implied warranties and in those situations we remain fully compliant. Cahaba makes no implication that products comply with any or all local building or plumbing codes. It is the consumer's responsibility to determine local code compliance. This warranty extends to the original purchaser and first consumer.