

GOOSENECK BAR FAUCET

Installation & Care Instructions



BEFORE YOU START

- Make sure you have all necessary parts by checking the diagram and parts list. If any part is missing or damaged, please contact Cahaba Customer Service at (866) 837-2550 for a replacement.
- Turn off the hot and cold water supply at the angle stops and turn on the old faucet to release any built up pressure. Remove existing faucet. Clean sink or countertop to remove any debris, plumber's putty, or silicone.
- Place bucket under angle stops. Turn on to flush any debris prior to installing new plumbing. Shut off angle stops.
- Pre-drilled hole size requirement: 1-3/8"
- This faucet is rated for normal residential use only.

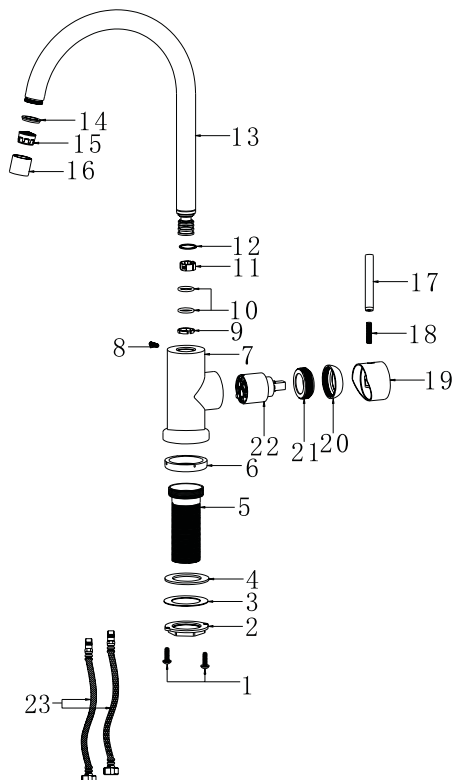
FOR MODEL NUMBER

CA6114SS CA6114CP

RECOMMENDED TOOLS

- Adjustable wrench
- Pipe wrench
- Safety glasses
- Bucket
- Screwdriver
- Plumbing tape
- Towels
- Silicone sealant

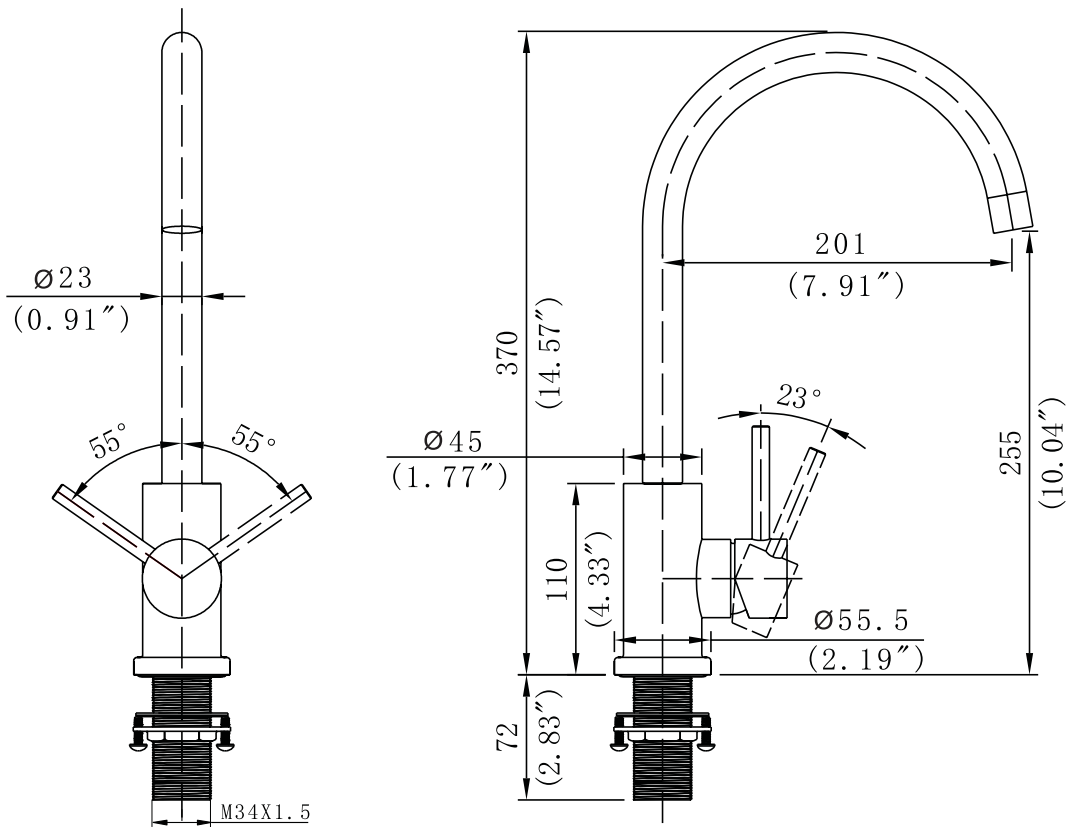
FAUCET PARTS



- 1 M5 round head screws
- 2 Lock nut
- 3 Stainless steel gasket
- 4 Rubber gasket
- 5 Threaded pipe
- 6 Bottom gasket
- 7 Faucet body
- 8 M6 screw
- 9 Plastic lock ring
- 10 O-ring
- 11 Plastic lock ring
- 12 Rub ring
- 13 Curved arm
- 14 Gasket
- 15 Aerator
- 16 Aerator holder
- 17 Handle bar
- 18 M6 screw
- 19 Handle knob
- 20 Cartridge cover
- 21 Locking nut
- 22 Cartridge
- 23 Hose

GOOSENECK BAR FAUCET

Specifications



GOOSENECK BAR FAUCET

Installation & Care Instructions

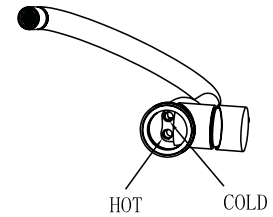


ASSEMBLE THE FAUCET

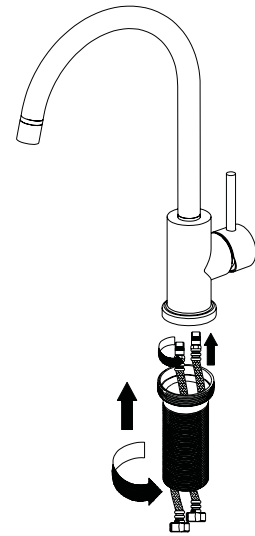
1. Locate and identify the hot and cold input on the faucet body.
2. Attach the hoses to the faucet.
3. Attach the threaded pipe to the faucet assembly.

► **NOTE:** Tie a string or wrap a piece of tape around the end of the hot water hose for easy identification later.

IDENTIFY HOT AND COLD INPUT

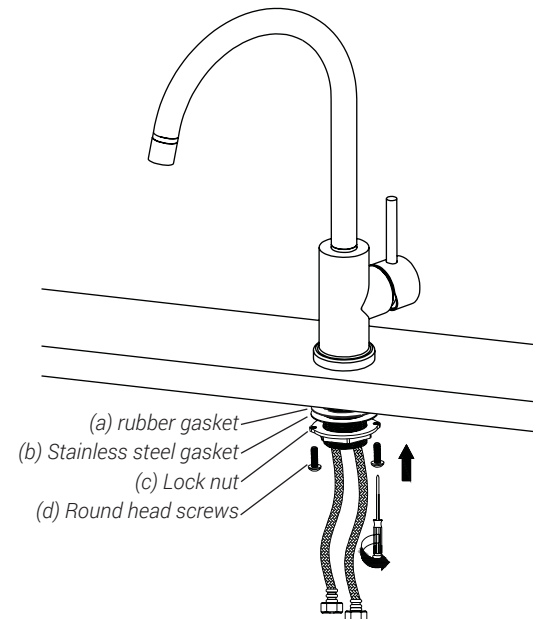


ATTACH HOSES AND THREADED PIPE



INSTALL THE FAUCET

1. Place the faucet through the hole in the sink deck or counter top.
2. Install the plastic rubber gasket (a), stainless steel gasket (b), and lock nut (c) over the threaded pipe. Secure in place with the round head screws (d) provided. Firmly tighten the screws. Do not overtighten.



GOOSENECK BAR FAUCET

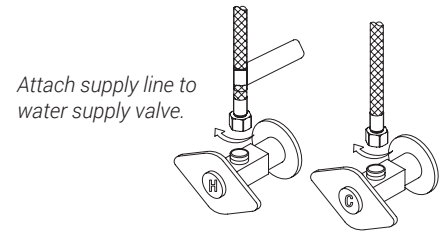
Installation & Care Instructions



CONNECT THE WATER

1. Thread the nut on the supply line onto the outlet of the water supply valve and tighten with a wrench. Do not overtighten.

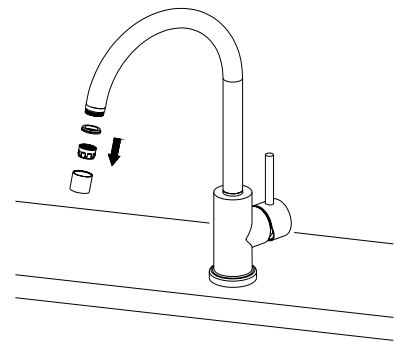
► **IMPORTANT:** Remember the hot side inlet tube is indicated by a string or tape. Avoid twisting wires together or placing the wires close to each other and damaging.



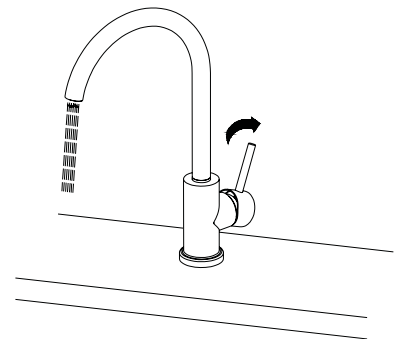
FINISHING

1. After installation is completed, turn on the hot and cold water supplies. Check for leaks.
2. Remove the aerator assembly by unscrewing it from the faucet in a counterclockwise direction. Turn the faucet on to the warm position where it mixes hot and cold water.
3. Flush the water lines for one minute. This flushes away any debris that could cause damage to internal parts.
4. Check for leaks. Re-tighten any connections if necessary, but do not overtighten.
5. Reinstall the aerator assembly by hand tightening it back onto the faucet.

REMOVE AERATOR ASSEMBLY



TEST FAUCET AND FLUSH WATER LINES



RECOMMENDED CLEANERS

- ▶ For stains or light scratches, we suggest a mildly aggressive cleaner. You can also try a paste of baking soda and water, but be sure to rinse well and dry.
- ▶ For stubborn stains and more noticeable scratches, we suggest a more aggressive cleaner such as Bar Keeper's Friend®. For extremely stubborn stains, you may also try to use a Scotch-Brite™ Pad.
- ▶ When using any of these cleaners, it is critical that you rub in the direction of the grain lines, rinse completely and towel dry.

SUGGESTED MAINTENANCE

- ▶ Inspect water hose supply lines monthly for abrasions to the lines and any bulges that could indicate weakness to the lines.
- ▶ Clean regularly to prevent the build up of calcification on the faucet.

CAUTION

- ▶ Don't allow soap or other household cleansers to dry on the surface of the linear faucet. Most brands contain chemical additives which will affect the original finish.
- ▶ Don't use a steam cleaner as high temperatures can damage your faucet.
- ▶ Don't use solutions of chlorine bleach and water to clean the faucet. Chlorides, which are found in most soaps, detergents, bleaches, and cleansers, are very aggressive to stainless steel. If left too long, they can cause surface pitting.
- ▶ Don't use a steel wool pad to clean your faucet. If a more abrasive product is needed, use a green Scotch-Brite™ pad, being sure to rub in the direction of the satin finish lines. Steel wool pads have a tendency to break apart and small particles of steel can become embedded in the surface of the linear drain. The steel particles will rust and will give the appearance that the faucet itself is rusting.

LIMITED LIFETIME WARRANTY



This product has been manufactured and tested to the highest quality standards by Cahaba. We offer our customers thoughtfully crafted fixtures & accessories, engineered for enduring performance over years of use.

WHO IS COVERED BY THE WARRANTY

This warranty extends to the original purchaser only. This warranty is not transferable, between homes or owners and is only applicable to residential use.

WHAT IS COVERED BY THE WARRANTY

Cahaba warranties this product against defects due to material or craftsmanship error during the warranty period: Cahaba will provide replacement parts at no charge, or at its option, replace any product or part of the product that is deemed defective, under normal installation, use, service and maintenance. If Cahaba is unable to provide a replacement and repair is not practical or cannot be made in timely fashion, Cahaba may elect to refund the purchase price in exchange for the return of the product.

CONDITIONS AND EXCLUSIONS

Like other home fixtures, Cahaba products will require light maintenance to ensure proper function. We provide you with complete knowledge to perform this maintenance and can also recommend resources if you are unable to fulfill this service.

- A. Cahaba will not be responsible for product failures due to lack of maintenance or proper use. Please read your care and maintenance documentation to determine the limits of proper use.
- B. The original sales receipt, order number, and/or proof of purchase must be presented at the time of the warranty claim, without exception, for this warranty to be applied to all Cahaba products.
- C. Cahaba recommends installing all Cahaba products with a licensed, professional plumber. Cahaba will not be held responsible for any damage or product failure due to improper installation, misuse, or failure to use a licensed professional. Please read your care and maintenance documentation to determine the limits of proper use.
- D. Commercial use will automatically void this warranty.

NON-APPLICABILITY OF THIS WARRANTY

By the purchase and use of our products, you agree that Cahaba is not liable for incidental, consequential or special damages associated with the return, replacement, installation or use of your product. This includes freight costs, cartridge replacement, labor, travel time, lost profit, home damages and other contingent liabilities and costs (including, without limitation, costs associated with experts, investigations, analyses, attorneys and other professionals and services).

The Cahaba warranty is a comprehensive and explicit limit of liability and all items outside of it are not addressable by or the responsibility of Cahaba. Certain states have variances regarding implied warranties and in those situations we remain fully compliant. Cahaba makes no implication that products comply with any or all local building or plumbing codes. It is the consumer's responsibility to determine local code compliance. This warranty extends to the original purchaser and first consumer.