

LOW PROFILE PULL-OUT KITCHEN FAUCET

Installation & Care Instructions



BEFORE YOU START

- Make sure you have all necessary parts by checking the diagram and parts list. If any part is missing or damaged, please contact Cahaba Customer Service at (866) 837-2550 for a replacement.
- Turn off the hot and cold water supply at the angle stops and turn on the old faucet to release any built up pressure. Remove existing faucet. Clean sink or countertop to remove any debris, plumber's putty, or silicone.
- Place bucket under angle stops. Turn on to flush any debris prior to installing new plumbing. Shut off angle stops.
- Pre-drilled hole size requirement: 1-3/8"
- This faucet is rated for normal residential use only.

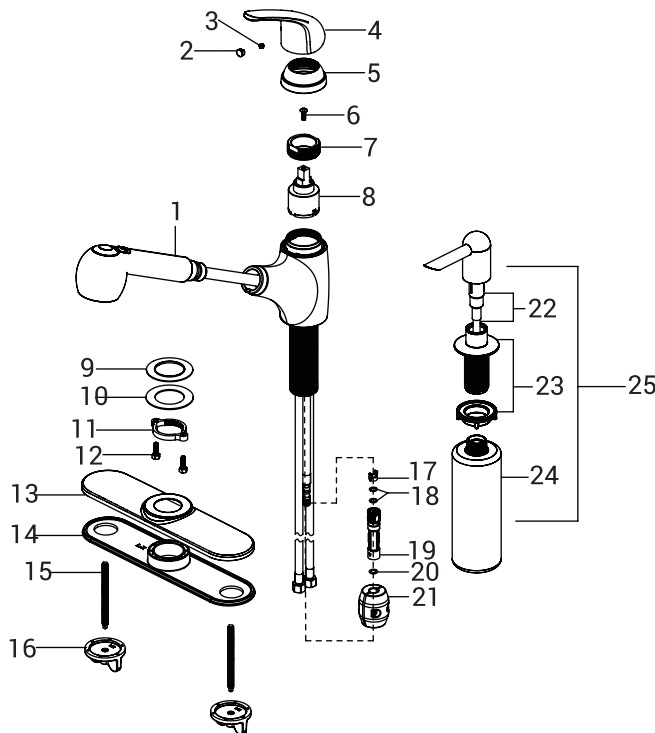
FOR MODEL NUMBER

CA6110SS CA6110CP

RECOMMENDED TOOLS

- Adjustable wrench
- Pipe wrench
- Safety glasses
- Bucket
- Screwdriver
- Plumbing tape
- Towels
- Silicone sealant

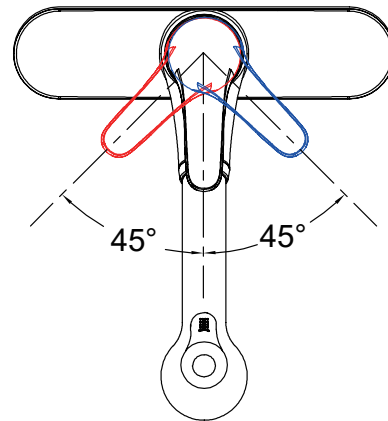
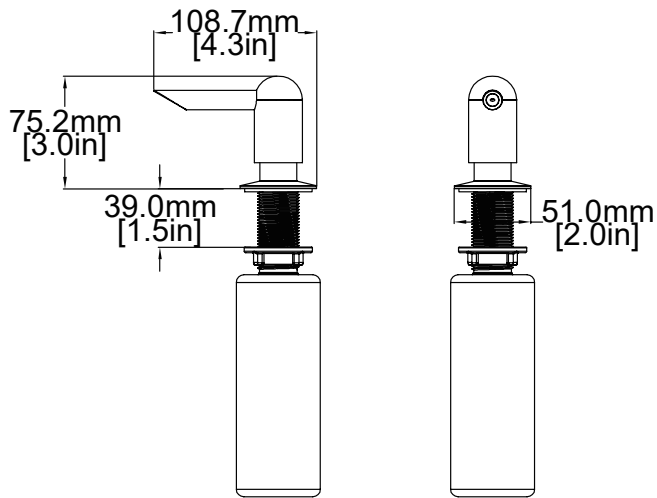
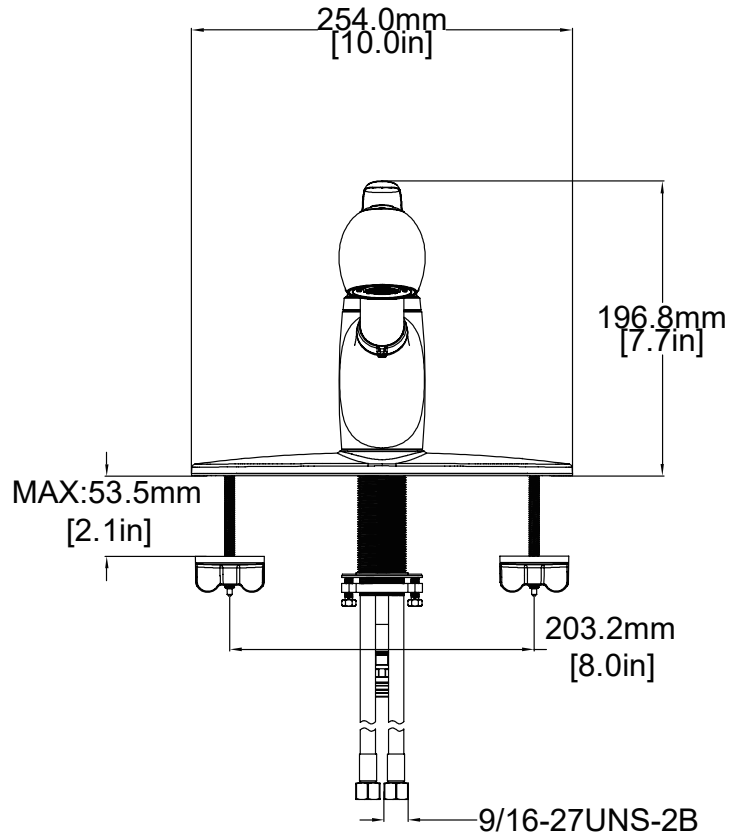
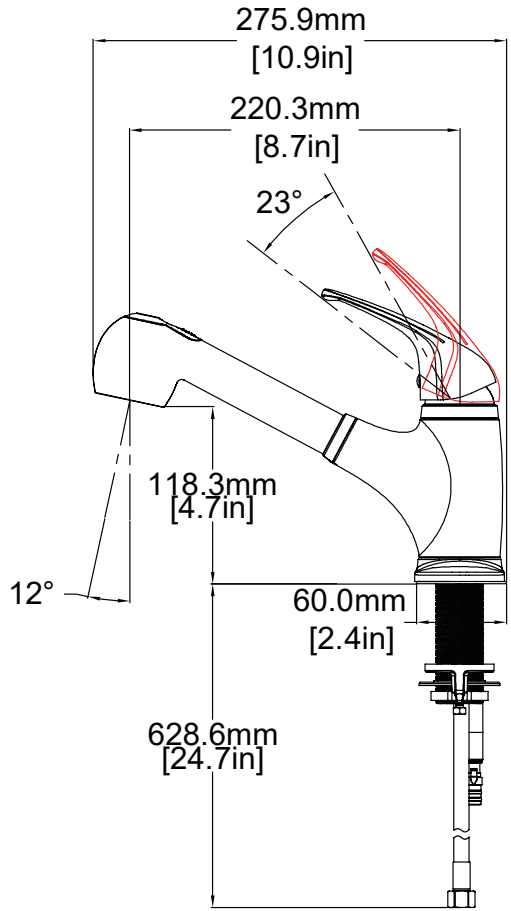
FAUCET PARTS



- 1 Spray head & hose
- 2 Index
- 3 Set screw
- 4 Handle
- 5 Cap
- 6 Screw
- 7 Bonnet
- 8 Cartridge & Screw
- 9 Plastic washer
- 10 Metal washer
- 11 Nut
- 12 Screw
- 13 Escutcheon
- 14 Base plate
- 15 Bolt
- 16 Nut
- 17 Block
- 18 O-ring
- 19 Quick connect assembly
- 20 O-ring
- 21 Weights
- 22 Pump nut
- 23 Bottle
- 24 Soap dispenser

LOW PROFILE PULL-OUT KITCHEN FAUCET

Specifications



LOW PROFILE PULL-OUT KITCHEN FAUCET

Installation Instructions



DETERMINE INSTALLATION PREFERENCES

This faucet can be installed as 4 hole installation with the escutcheon or as 2 hole installation with flange.

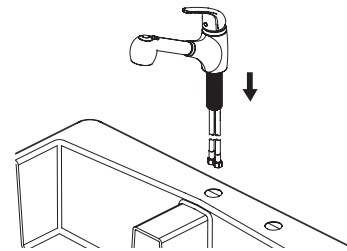
FLANGE INSTALLATION:

1. Shut off water supplies & remove old faucet.
2. Place flange on the sink.

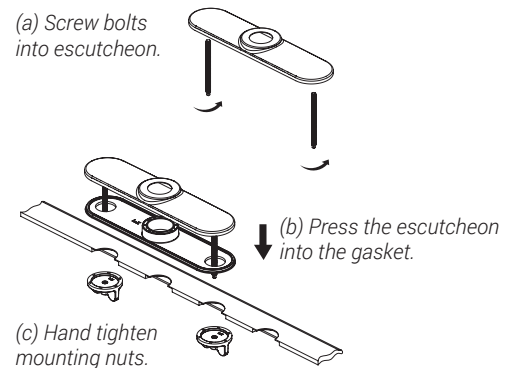
ESCUTCHEON INSTALLATION:

1. Shut off water supplies & remove old faucet.
2. Screw the bolts into the escutcheon (a).
3. Ensure the gasket is pressed into the escutcheon before the escutcheon is installed over the three holes in the sink (b).
4. From underneath the sink, hand tighten the mounting nuts. Do not overtighten (c).
5. Insert faucet body through the hole in escutcheon.

FLANGE INSTALLATION OPTION



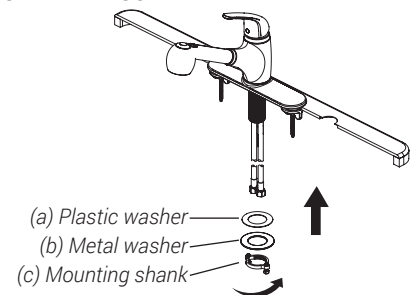
ESCUTCHEON INSTALLATION OPTION



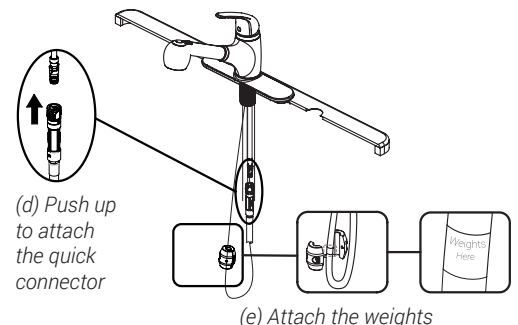
INSTALL THE FAUCET

1. Install the plastic washer (a) and metal washer (b) onto the threaded mounting shank (c). Thread the nut onto the mounting shank. Lock the nut into position by tightening the screws. Do not overtighten.
2. Push the quick connector firmly upward and attach it to the receiving block (d). Pull down moderately to ensure the connection has been made. If it is necessary to remove the quick connector, squeeze the tabs on the quick connector and then pull down to disconnect.
3. After connecting the hose, install the weights at the point of the hose marking "weights here" (e).

SECURE THE FAUCET



ATTACH CONNECTORS AND WEIGHTS



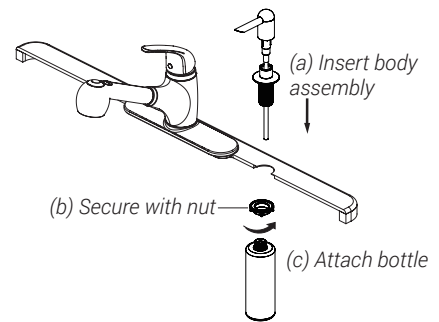
LOW PROFILE PULL-OUT KITCHEN FAUCET

Installation Instructions



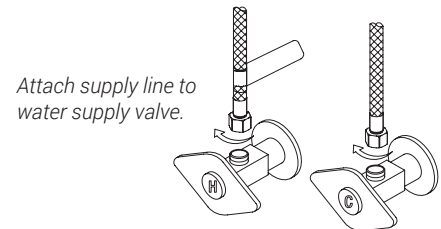
INSTALL THE SOAP DISPENSER

1. Insert the body assembly through the selected hole in the sink (a).
2. Secure the body assembly to the sink with the nut.
3. From under the sink, screw the bottle onto the body assembly shank.
4. Insert the pump down into the body assembly.



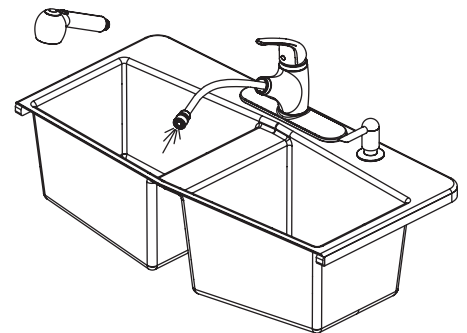
CONNECT THE WATER

1. Thread the nut on the supply line onto the outlet of the water supply valve and tighten with a wrench. Do not overtighten.
- **IMPORTANT:** The hot side inlet tube is indicated by a label. Avoid twisting wires together or placing the wires close to each other and damaging.



FINISHING

1. After installation is completed, turn on the hot and cold water supplies. Check for leaks.
2. Pull the hose assembly out of the spout and remove the spray head by unscrewing it from the hose in a counterclockwise direction. Be sure to hold the end of the hose down into the sink and turn the faucet on to the warm position where it mixes hot and cold water.
3. Flush the water lines for one minute. This flushes away any debris that could cause damage to internal parts.
4. Check for leaks. Re-tighten any connections if necessary, but do not overtighten.
5. Reinstall the spray head by hand tightening it back onto the spray hose.



LOW PROFILE PULL-OUT KITCHEN FAUCET

Care & Maintenance Instructions



RECOMMENDED CLEANERS

- ▶ For stains or light scratches, we suggest a mildly aggressive cleaner. You can also try a paste of baking soda and water, but be sure to rinse well and dry.
- ▶ For stubborn stains and more noticeable scratches, we suggest a more aggressive cleaner such as Bar Keeper's Friend®. For extremely stubborn stains, you may also try to use a Scotch-Brite™ Pad.
- ▶ When using any of these cleaners, it is critical that you rub in the direction of the grain lines, rinse completely and towel dry.

SUGGESTED MAINTENANCE

- ▶ Inspect water hose supply lines monthly for abrasions to the lines and any bulges that could indicate weakness to the lines.
- ▶ Clean regularly to prevent the build up of calcification on the faucet.

CAUTION

- ▶ Don't allow soap or other household cleansers to dry on the surface of the linear faucet. Most brands contain chemical additives which will affect the original finish.
- ▶ Don't use a steam cleaner as high temperatures can damage your faucet.
- ▶ Don't use solutions of chlorine bleach and water to clean the faucet. Chlorides, which are found in most soaps, detergents, bleaches, and cleansers, are very aggressive to stainless steel. If left too long, they can cause surface pitting.
- ▶ Don't use a steel wool pad to clean your faucet. If a more abrasive product is needed, use a green Scotch-Brite™ pad, being sure to rub in the direction of the satin finish lines. Steel wool pads have a tendency to break apart and small particles of steel can become embedded in the surface of the linear drain. The steel particles will rust and will give the appearance that the faucet itself is rusting.

LIMITED LIFETIME WARRANTY



This product has been manufactured and tested to the highest quality standards by Cahaba. We offer our customers thoughtfully crafted fixtures & accessories, engineered for enduring performance over years of use.

WHO IS COVERED BY THE WARRANTY

This warranty extends to the original purchaser only. This warranty is not transferable, between homes or owners and is only applicable to residential use.

WHAT IS COVERED BY THE WARRANTY

Cahaba warranties this product against defects due to material or craftsmanship error during the warranty period: Cahaba will provide replacement parts at no charge, or at its option, replace any product or part of the product that is deemed defective, under normal installation, use, service and maintenance. If Cahaba is unable to provide a replacement and repair is not practical or cannot be made in timely fashion, Cahaba may elect to refund the purchase price in exchange for the return of the product.

CONDITIONS AND EXCLUSIONS

Like other home fixtures, Cahaba products will require light maintenance to ensure proper function. We provide you with complete knowledge to perform this maintenance and can also recommend resources if you are unable to fulfill this service.

- A. Cahaba will not be responsible for product failures due to lack of maintenance or proper use. Please read your care and maintenance documentation to determine the limits of proper use.
- B. The original sales receipt, order number, and/or proof of purchase must be presented at the time of the warranty claim, without exception, for this warranty to be applied to all Cahaba products.
- C. Cahaba recommends installing all Cahaba products with a licensed, professional plumber. Cahaba will not be held responsible for any damage or product failure due to improper installation, misuse, or failure to use a licensed professional. Please read your care and maintenance documentation to determine the limits of proper use.
- D. Commercial use will automatically void this warranty.

NON-APPLICABILITY OF THIS WARRANTY

By the purchase and use of our products, you agree that Cahaba is not liable for incidental, consequential or special damages associated with the return, replacement, installation or use of your product. This includes freight costs, cartridge replacement, labor, travel time, lost profit, home damages and other contingent liabilities and costs (including, without limitation, costs associated with experts, investigations, analyses, attorneys and other professionals and services).

The Cahaba warranty is a comprehensive and explicit limit of liability and all items outside of it are not addressable by or the responsibility of Cahaba. Certain states have variances regarding implied warranties and in those situations we remain fully compliant. Cahaba makes no implication that products comply with any or all local building or plumbing codes. It is the consumer's responsibility to determine local code compliance. This warranty extends to the original purchaser and first consumer.