

25 IN. X 22 IN. NAPOLI GRANITE VANITY TOP

Installation & Care Instructions



BEFORE YOU START

- Be sure to completely read this installation and maintenance guide before removing vanity top from box and installing.
- CAUTION: This vanity top is heavy. We recommend two people for lifting and installing. REMEMBER to bend at the knees, not at the waist when lifting heavy objects.
- IMPORTANT: The vanity top must be installed, secured, plumb, and level. Failure of this step can lead to product damage.
- Cahaba is not responsible for sink or countertop if damaged during installation. Be sure to inspect the sink for damage prior to beginning installation.
- Your vanity top is made of natural stone quarried from the earth. Every slab of natural stone has its own unique characteristics, such as veining and coloration. Be sure to fully inspect your top for satisfaction before installation.
- Follow all local plumbing and building codes.

FOR MODEL NUMBERS

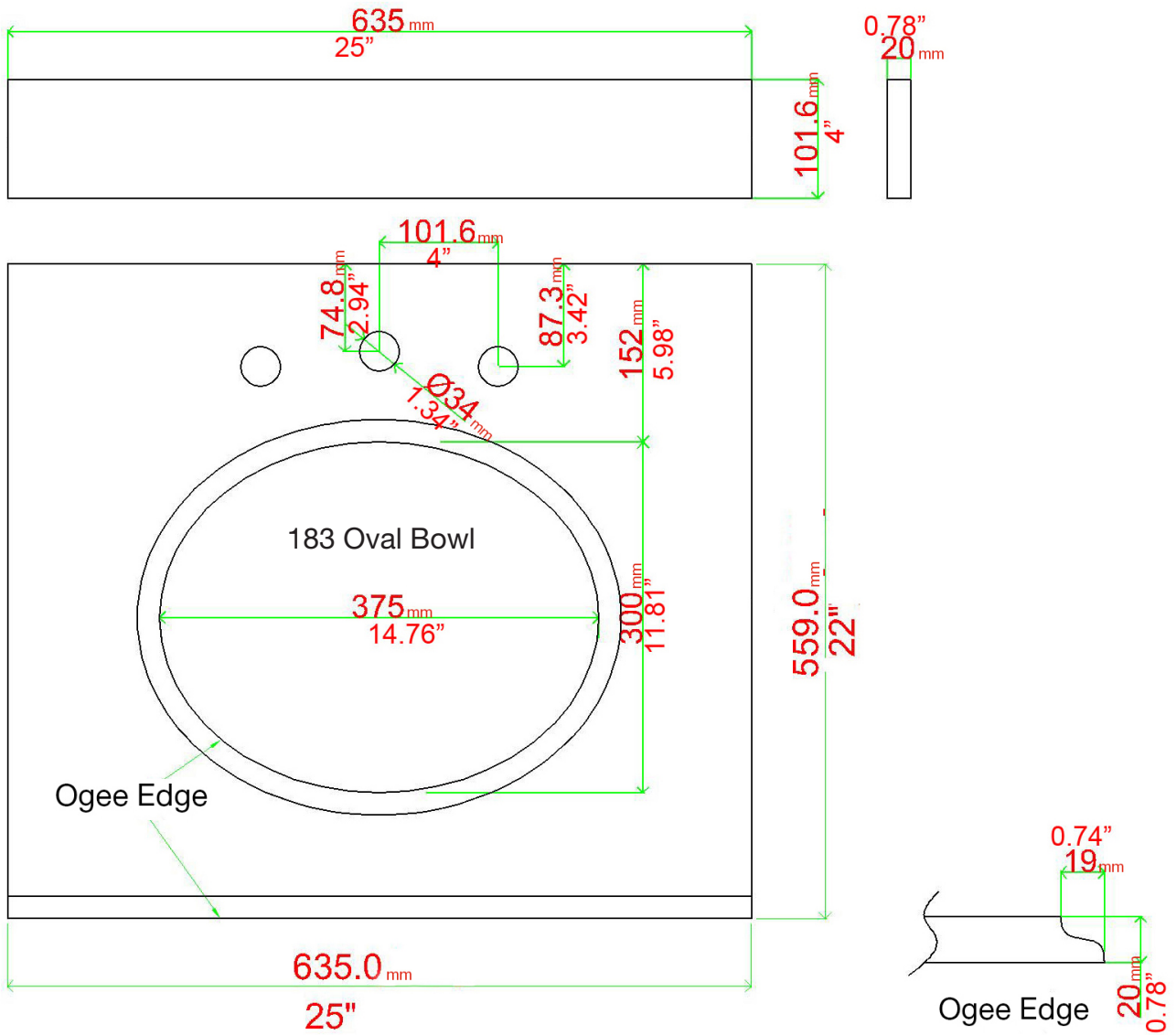
CAVT0139

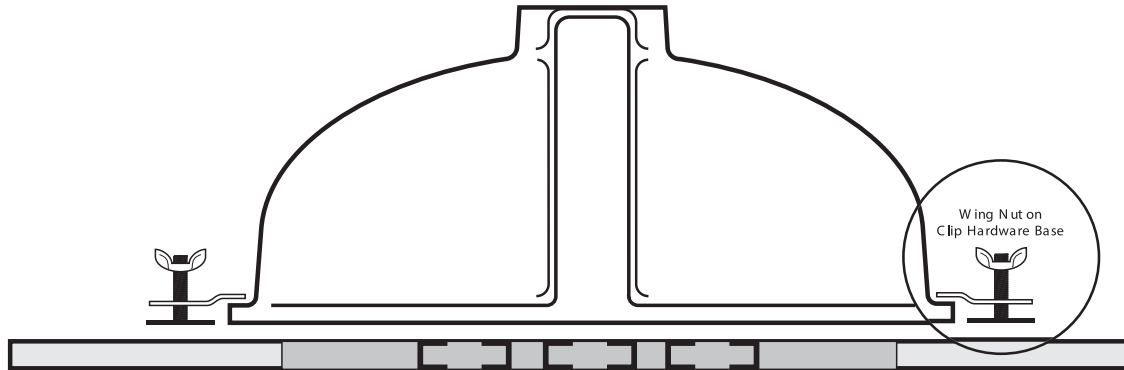
RECOMMENDED TOOLS

- Tape Measure
- Safety Glasses
- Painter's Tape
- Level
- Framing Square
- Pencil (not permanent marker)
- Caulking Gun
- Silicone Sealant
- Caulking Adhesive
Note: It is our experience that GE Silicone is not the best match with our natural stone products and should be avoided.)

25 IN. X 22 IN. NAPOLI GRANITE VANITY TOP

Specifications





INSTALL THE COUNTERTOP

1. Prepare and level the vanity cabinet and secure it to the wall. Use additional interior supports if the vanity is frameless or does not have full support around the frame. Your vanity top is heavy natural stone. Additional wood supports should be 1" x 2" and affixes to the sides with caulking adhesive and short wood screws that do not protrude through any exposed sides.

Be sure to follow the recommended instructions for installation from your vanity cabinet manufacturer.

▶ **IMPORTANT:** *Be sure to hand tighten wing nuts on the bottom of your natural stone vanity top, that may have loosened during shipping, before attaching to vanity cabinet.*

2. Apply a bead of silicone sealer on the top edges of the vanity cabinet. Place your natural stone top on it with an overhang of 1/2" on the edges and permit the sealer to dry. See the manufacturers instructions for drying time.

▶ **IMPORTANT:** *Cahaba is not responsible for sink or countertop if damaged during installation. Be sure to inspect the sink for damage prior to beginning installation.*

▶ **IMPORTANT:** *Cahaba vanity tops should only be fastened to secure, level vanity cabinets.*

Stone countertops (Granite, Marble, etc.) are surprisingly resilient to stains and scratches. However, as a preventative measure, any spills on the stone surfaces should be wiped up within a reasonable amount of time. Don't let liquid sit on the stone overnight. Stones are most prone to staining by oil and acid, so be sure to blot these spills up as soon as they happen. Follow up by cleaning the stone with a mild non-abrasive soap and water. In bathrooms specifically, stone tends to attract soap scum, just like man-made tile. Rinse vanity top with clean, hot water frequently.

The use of sealers is also a powerful preventative measure. Your stone was sealed at the factory, but reapplication is necessary over time. How often is determined by the quality of the sealer used, and the frequency of use. We recommend using a penetrating non-toxic sealer for bath areas, but a food-safe sealer is typically not necessary.

If stains and scratches do occur, there are many things you can do as a consumer to remove them. Remove oil based stains with acetone, mineral spirits, or ammonia. Organic stains like coffee, tea, or juice can be removed with hydrogen peroxide, mixed with a few drops of ammonia.

Water spots or rings are the most common problem with bath vanities, and are caused by minerals left behind when water evaporates. These can be removed by buffing the spots gently with 00 gauge steel wool. Likewise, small nicks and scratches can often be removed the same way. Larger scratches, chips, and resilient stains may require professional help. Please contact your local stonemason for details.

Remember the following list of DOs and DON'Ts:

- ▶ DO use preventative cleaning measures to keep your stone pristine.
- ▶ DO use sealers, applied according to the product specific directions.
- ▶ DO blot spills quickly, and wash with mild soap and warm water.
- ▶ DON'T use harsh bathroom cleaners or grout cleaners on any natural stone.
- ▶ DON'T worry if you get a significant stain or scratch that your stone investment is ruined. Virtually anything can be fixed with professional help.

LIMITED LIFETIME WARRANTY



This product has been manufactured and tested to the highest quality standards by Cahaba. We offer our customers thoughtfully crafted fixtures & accessories, engineered for enduring performance over years of use.

WHO IS COVERED BY THE WARRANTY

This warranty extends to the original purchaser only. This warranty is not transferable, between homes or owners and is only applicable to residential use.

WHAT IS COVERED BY THE WARRANTY

Cahaba warrants that the natural stone top will not crack, discolor or chip during the lifetime warranty, provided the natural stone top is maintained according to the installation and maintenance instructions contained within and supplied by Cahaba.

CONDITIONS AND EXCLUSIONS

Like other home fixtures, Cahaba products will require light maintenance to ensure proper function. We provide you with complete knowledge to perform this maintenance and can also recommend resources if you are unable to fulfill this service.

- A. Cahaba will not be responsible for product failures due to lack of maintenance or proper use. Please read your care and maintenance documentation to determine the limits of proper use.
- B. The original sales receipt, order number, and/or proof of purchase must be presented at the time of the warranty claim, without exception, for this warranty to be applied to all Cahaba products.
- C. Cahaba recommends installing all Cahaba products with a licensed professional. Cahaba will not be held responsible for any damage or product failure due to improper installation, misuse, or failure to use a licensed professional. Please read your care and maintenance documentation to determine the limits of proper use.
- D. Commercial use will automatically void this warranty.

NON-APPLICABILITY OF THIS WARRANTY

By the purchase and use of our products, you agree that Cahaba is not liable for incidental, consequential or special damages associated with the return, replacement, installation or use of your product. This includes freight costs, cartridge replacement, labor, travel time, lost profit, home damages and other contingent liabilities and costs (including, without limitation, costs associated with experts, investigations, analyses, attorneys and other professionals and services).

The Cahaba warranty is a comprehensive and explicit limit of liability and all items outside of it are not addressable by or the responsibility of Cahaba. Certain states have variances regarding implied warranties and in those situations we remain fully compliant. Cahaba makes no implication that products comply with any or all local building or plumbing codes. It is the consumer's responsibility to determine local code compliance. This warranty extends to the original purchaser and first consumer.