

# FARMHOUSE FIRECLAY SINK

## Installation & Care Instructions



### BEFORE YOU START

- Cahaba recommends that all fireclay apron front sinks should be installed by an experienced, professional installer.
- **IMPORTANT:** The cabinet must be installed, secured, plumb, and level. The front sink apron must be secured to the front of the cabinet by attaching fasteners through the cabinet front and into the support framing. Failure of this step can lead to product damage.
- **IMPORTANT:** Long screws may damage adjacent cabinets. Ensure the screws are long enough to secure the support framing, but short enough not to go through the walls of adjacent cabinets.
- Cahaba fireclay apron front sinks should only be fastened to a solid surface counter top (i.e. granite, Corian® or Silestone®).
- A custom sink base cabinet and support framing is required for proper installation. Cahaba recommends providing the cabinet maker with the actual sink to be installed prior to cabinet fabrication.
- Cahaba is not responsible for sink or counter top if damaged during installation. Be sure to inspect the sink for damage prior to beginning installation.
- Follow all local plumbing and building codes.

### FOR MODEL NUMBER(S)

CAFC24SB

### RECOMMENDED TOOLS

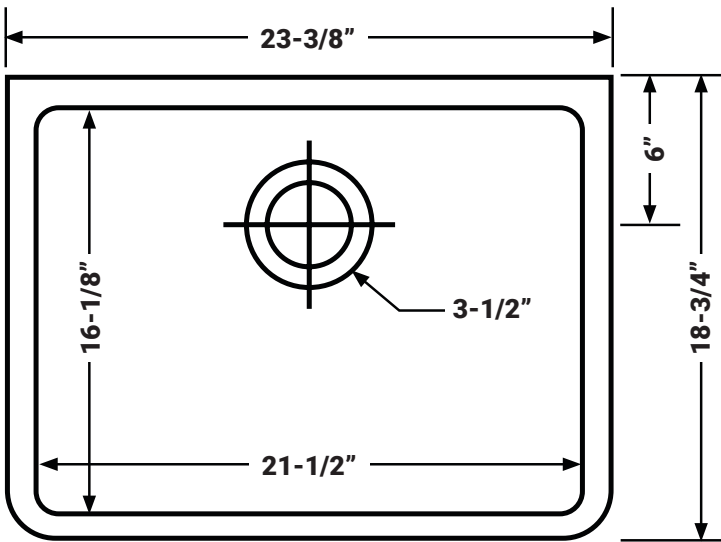
- Tape Measure
- Safety Glasses
- Saber or Keyhole Saw
- Level
- Framing Square
- Shims or Cabinet Fillers
- Sanding Block
- Sand Paper
- Sealant
- Support Framing Material (1 ¼" (32mm) Max Thickness)
- Screws (recommended by counter top manufacturer)

# FARMHOUSE FIRECLAY SINK

## Specifications



### TOP VIEW



### FEATURES

- Constructed of durable fireclay in a smooth gloss white finish
- Glazed on all 4 sides, the non-porous surface resists heat, stains, scratches and chips
- Easily handles the weight of heavy pots and pans
- Requires 3-1/2 in. drain assembly (not included)
- Compatible with garbage disposals

### SPECIFICATIONS

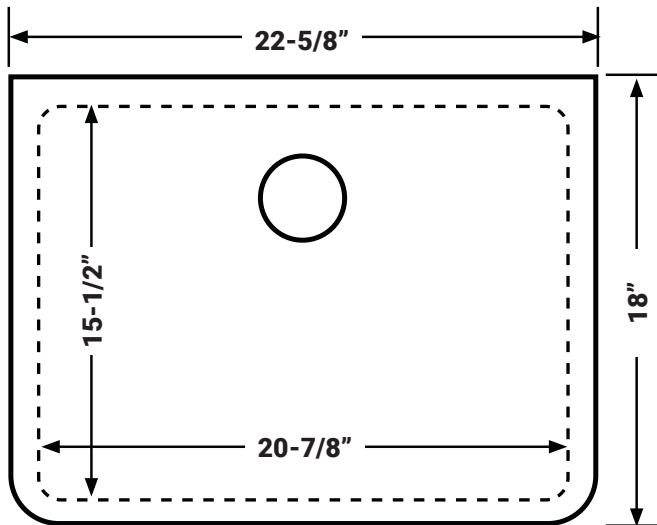
#### EXTERIOR MEASUREMENTS

TOP	23- <sup>3</sup> / <sub>8</sub> " W X 18- <sup>3</sup> / <sub>4</sub> " D
BASE	22- <sup>5</sup> / <sub>8</sub> " W X 18" D
HEIGHT	8- <sup>3</sup> / <sub>4</sub> "

#### BASIN MEASUREMENTS

TOP	21- <sup>1</sup> / <sub>2</sub> " W X 16- <sup>1</sup> / <sub>8</sub> " D
BASE	20- <sup>7</sup> / <sub>8</sub> " W X 15- <sup>1</sup> / <sub>2</sub> " D
DEPTH	7- <sup>3</sup> / <sub>4</sub> "
CAPACITY	11.6 gal.

### BOTTOM VIEW



### FRONT VIEW



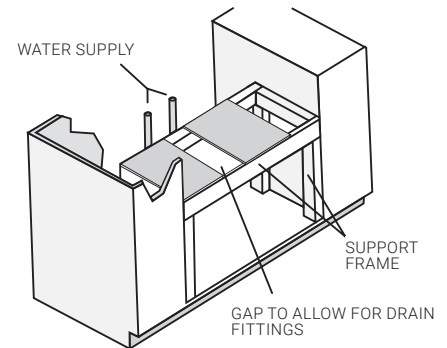
# FARMHOUSE FIRECLAY SINK

## Installation Instructions



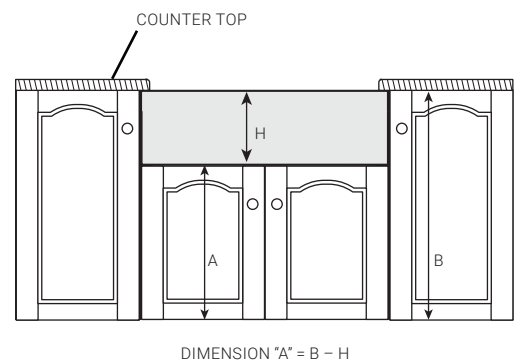
### PREPARE THE CABINET

1. Farmhouse sinks may require custom cabinetry. We recommend consulting an experienced cabinet maker for assistance. Providing the cabinet maker with the actual sink that is to be installed will ensure a custom fit.
2. Allow clearance for the water supply lines, drains and a garbage disposal, if applicable.
  - ▶ It may be necessary to custom scribe the cabinet sides or, if needed, add wood filler strips to accommodate the slight taper of the apron front.



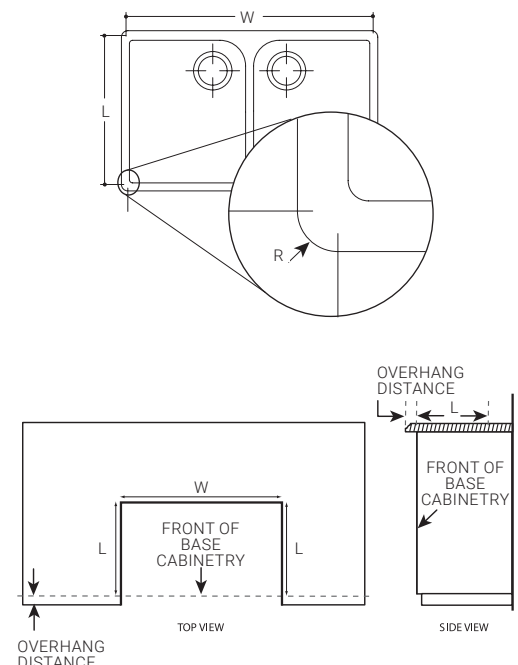
### INSTALL SUPPORT FRAMING

3. Build a wood support frame in the sink base cabinet unit at a dimension "A" above the floor.
  - ▶ The cabinet must be installed, secured, plumb, and level BEFORE installing the sink.
  - ▶ Cahaba recommends providing the cabinet maker with the actual sink prior to cabinet fabrication. Before installing the sink, verify that the distance from the top of the doors to the top of the cabinet is greater than the apron front.
  - ▶ Consider and make allowance for the thickness of any edge treatment that surrounds the sink opening when determining Dimension "A".



### PREPARE THE COUNTER TOP

4. The cut-out opening for the sink will be determined by establishing dimensions L and W. These dimensions are measured from the center of the sink rim (which should also be the high point of the sink rim).
5. Dimension W is measured from the center of the sink rim on either side of the basin.
6. Dimension L is measured from the center of the back rim to the start of the radius on the apron of the sink (the intent is to position the sink so that the start of the apron radius aligns with the front face of adjacent cabinetry).
7. Transfer Dimension W to the counter top such that the sink is positioned laterally within the sink base cabinet unit.
8. Transfer Dimension L to the counter top. Then add the counter top front overhang to this dimension.
9. Scribe a desired radius in the two back corners of the cut-out.
10. Cut-out the sink opening.



## **PREPARE THE SINK**

- 11. We recommend installing the sink strainers at this point in the installation process. The installation process is much simpler with the sink accessible from all sides.**
- 12. We also recommend installing the faucet and any deck mounted fittings at this point in the installation process. The installation process is much simpler with the sink and counter top accessible from all sides.**

## **INSTALL THE SINK**

- 13. Carefully place the sink into position on the wooden support frame. Check the height of the sink rim, and shim the sink to level if necessary.**
- 14. Apply a bead of translucent silicone along the center of the sink rim.**
- 15. Place the counter top into position and clean up excess silicone with a solvent and clean wiper.**
- 16. Connect drain assembly and supply fittings.**

# FARMHOUSE FIRECLAY SINK

## Care & Maintenance Instructions



### RECOMMENDED CLEANERS

- ▶ Wash the sink daily or whenever it gets dirty, using a mild dish soap solution and a soft cloth.
- ▶ Wipe down the bottom of the sink after each use with a dry cloth to prevent water spotting.
- ▶ Apply baking soda or a mild abrasive cleaning product to a damp sponge or cloth and gently scrub the sink to remove heavier soil. Fireclay is durable enough to withstand daily cleansing with mild abrasives.
- ▶ Scrape off heavier gunk with a plastic spatula.

### SUGGESTED MAINTENANCE

- ▶ Apply a thin layer of liquid wax to the sink's basin about once a month, using a soft cloth or the applicator that comes with the wax. Apply the wax when the sink is dry, and allow the wax to dry thoroughly before using the sink. Wax will encourage liquids to flow down the drain.

### DURABILITY & CAUTION

- ▶ Heat Resistance: feel free to place hot pans and other dishes in your sink without fear of damage.
- ▶ Do not use harsh abrasive or caustic cleaners containing ammonia or alkalis to clean sink surface.
- ▶ Stain Resistance: fireclay is virtually stain proof, simply wash down with water or wipe out with baking soda or a mild abrasive cleaning product and a damp sponge.
- ▶ Do not use materials such as scouring pads, steel wool, or heavy duty abrasive powder when cleaning the sink surface.
- ▶ Scratch Resistance: in the rare case that you see a scratch on your fireclay sink, it's likely residue from another item or material and not a true scratch in the sink itself.
- ▶ Do not use paint removers, oven cleaners or aggressive chemical solutions to clean sink surface.

Sometimes, silverware can leave lines or scratches in the sink surface, but it's the metal being left on the surface of the sink and not a true scratch in the sink. These can be easily cleaned off with a scrubber and a little elbow grease. If that doesn't work, try a little bit of metal polish – that will help to remove the metal from the surface of the sink and restore it to its scratch-free shine.

# LIMITED 1-YEAR WARRANTY



This product has been manufactured and tested to the highest quality standards by Cahaba. We offer our customers thoughtfully crafted fixtures & accessories, engineered for enduring performance over years of use.

## WHO IS COVERED BY THE WARRANTY

This warranty extends to the original purchaser only. This warranty is not transferable, between homes or owners and is only applicable to residential use.

## WHAT IS COVERED BY THE WARRANTY

Cahaba warranties this product against defects due to material or craftsmanship error during the warranty period: Cahaba will provide replacement parts at no charge, or at its option, replace any product or part of the product that is deemed defective, under normal installation, use, service and maintenance. If Cahaba is unable to provide a replacement and repair is not practical or cannot be made in timely fashion, Cahaba may elect to refund the purchase price in exchange for the return of the product.

## CONDITIONS AND EXCLUSIONS

Like other home fixtures, Cahaba products will require light maintenance to ensure proper function. We provide you with complete knowledge to perform this maintenance and can also recommend resources if you are unable to fulfill this service.

- A. Cahaba will not be responsible for product failures due to lack of maintenance or proper use. Please read your care and maintenance documentation to determine the limits of proper use.
- B. The original sales receipt, order number, and/or proof of purchase must be presented at the time of the warranty claim, without exception, for this warranty to be applied to all Cahaba products.
- C. Cahaba recommends installing all Cahaba products with a licensed, professional plumber. Cahaba will not be held responsible for any damage or product failure due to improper installation, misuse, or failure to use a licensed professional. Please read your care and maintenance documentation to determine the limits of proper use.
- D. Commercial use will automatically void this warranty.

## NON-APPLICABILITY OF THIS WARRANTY

By the purchase and use of our products, you agree that Cahaba is not liable for incidental, consequential or special damages associated with the return, replacement, installation or use of your product. This includes freight costs, cartridge replacement, labor, travel time, lost profit, home damages and other contingent liabilities and costs (including, without limitation, costs associated with experts, investigations, analyses, attorneys and other professionals and services).

The Cahaba warranty is a comprehensive and explicit limit of liability and all items outside of it are not addressable by or the responsibility of Cahaba. Certain states have variances regarding implied warranties and in those situations we remain fully compliant. Cahaba makes no implication that products comply with any or all local building or plumbing codes. It is the consumer's responsibility to determine local code compliance. This warranty extends to the original purchaser and first consumer.