

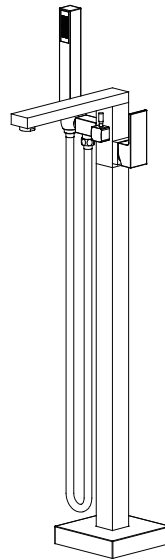
MODEL 7560- Contemporary Free Standing Tub Filler with Hand Shower

Before Your Installation

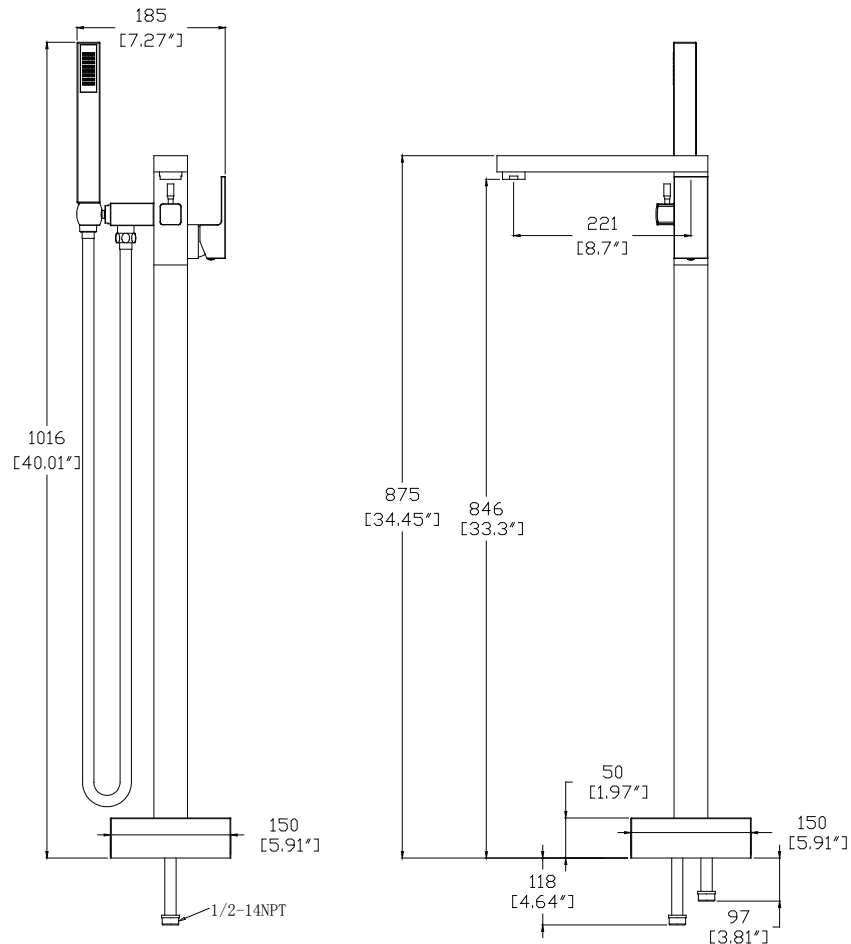
- Read all instructions carefully.
- Assemble all tools.
- Turn off main water supply before removing old faucet and fixtures.
- Clean surface before installing new faucet.
- Insert a cloth or stopper into drain to prevent small parts from getting lost.

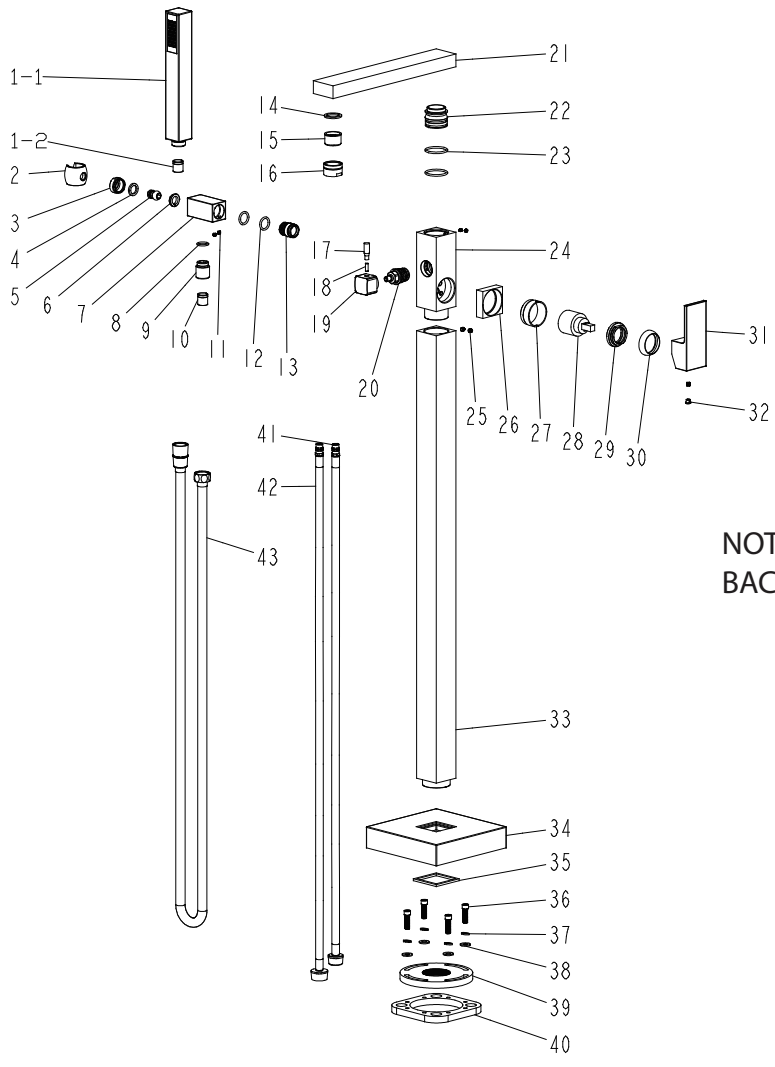
Tips for Successful Installations

- Use joint compound or Teflon® tape on all threaded connections to prevent leaks.
- Use a soft cloth to protect the faucets finish when using a wrench, pliers or other tools that could scratch the faucet.
- Tighten all hose connections by hand. Do not over tighten.
- Before turning main water supply back on, open several faucets around the house to prevent pressure from building up.
- Remove aerator from faucet before turning on water. Flush drain for several minutes before replacing aerator. DO NOT use joint compound or Teflon® tape to reconnect aerator.



Specification Sheet





NOTE: 1-2* and 10* - DUAL CHECK VALVES - BACKFLOW PREVENTION DEVICES

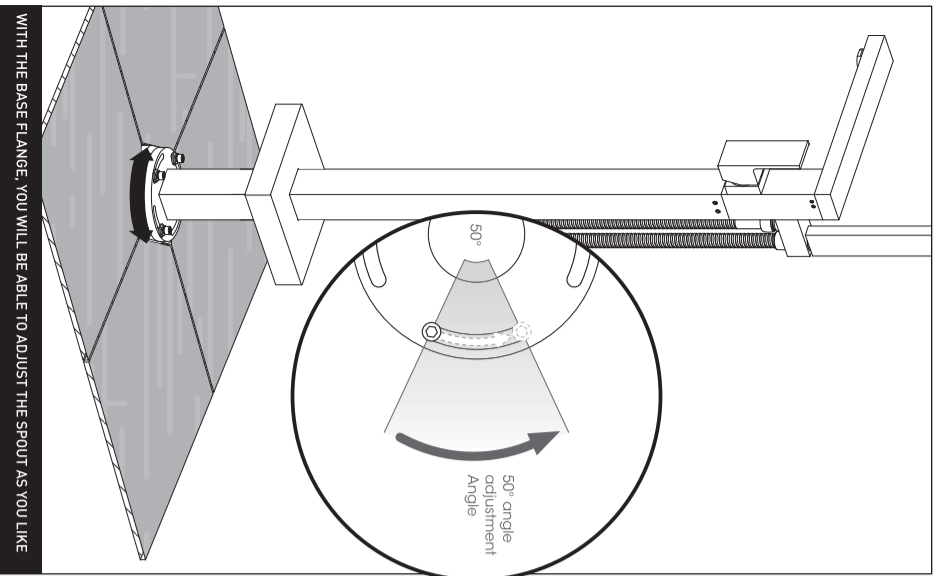
Component Parts List

#	PART NAME	QTY.
1-1	SHOWER	1
1-2*	CHECK VALVE	1
02	HOLDER	1
03	NUT	1
04	GASKET	1
05	ROD	1
06	GASKET	1
07	BASE	1
08	O-RING	1
09	CONNECTOR	1
10*	CHECK VALVE	1
11	SCREW	4
12	O-RING	2
13	CONNECTOR	1
14	WASHER	1
15	FLOW REGULATOR	1
16	HOUSING	1
17	LEVER	1
18	SCREW	1
19	HANDLE	1
20	DIVERTER	1
21	SPOUT	1
22	CONNECTOR	1

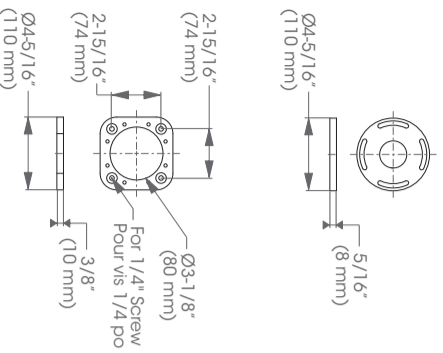
23	O-RING	2
24	BODY	1
25	SCREW	3
26	BUSHING	1
27	SLEEVE	1
28	CARTRIDGE	1
29	RETAINER	1
30	COVER	1
31	HANDLE	1
32	CAP	1
33	PIPE	1
34	ESCUTCHEON	1
35	SEAL	1
36	SCREW	4
37	GASKET	4
38	WASHER	4
39	BASE SEAT	1
40	BASE	1
41	HOSE	1
42	HOSE	1
43	SHOWER HOSE	1

Installation steps

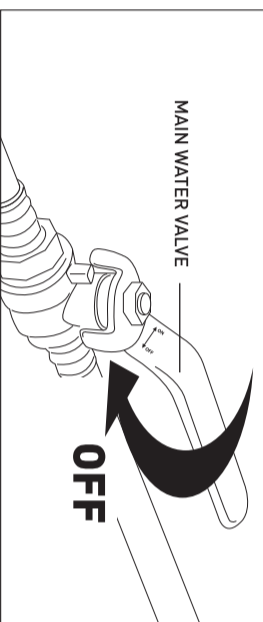
Spout angle adjustment



WITH THE BASE FLANGE, YOU WILL BE ABLE TO ADJUST THE SPOUT AS YOU LIKE

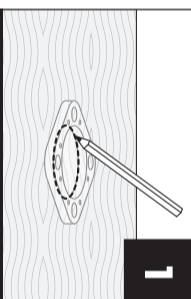


Before you begin



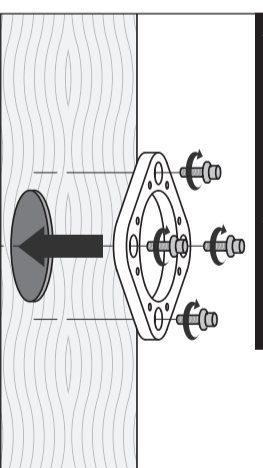
1

USE THE FLOOR FLANGE TO TRACE THE DIELINE ON THE FLOOR ABOVE THE ALREADY INSTALLED WATER SUPPLIES



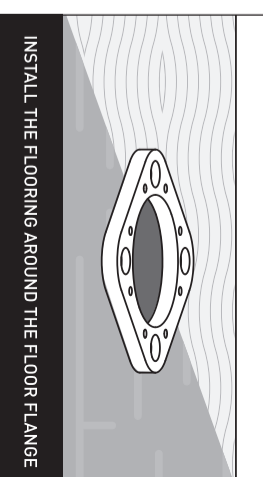
2

INSTALL THE FLOOR FLANGE ONCE THE FLOOR HAS BEEN CUT (SCREWS NOT INCLUDED)

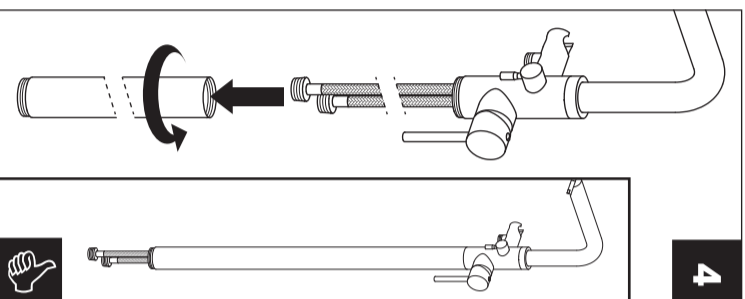


3

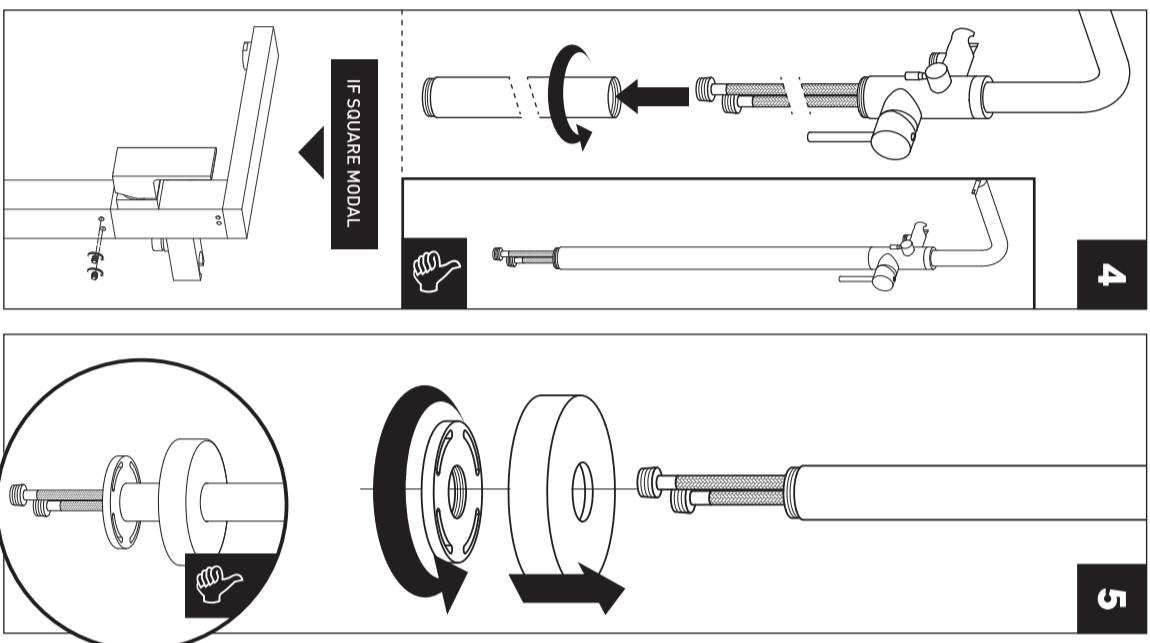
INSTALL THE FLOORING AROUND THE FLOOR FLANGE



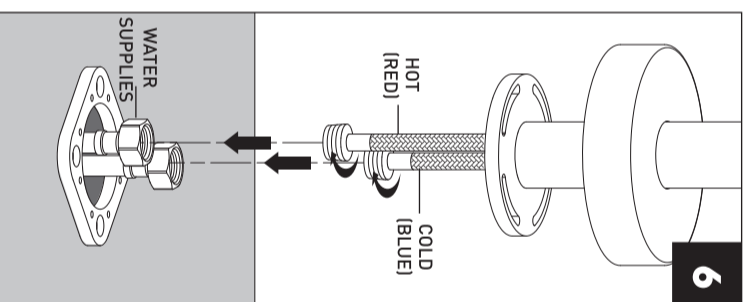
4



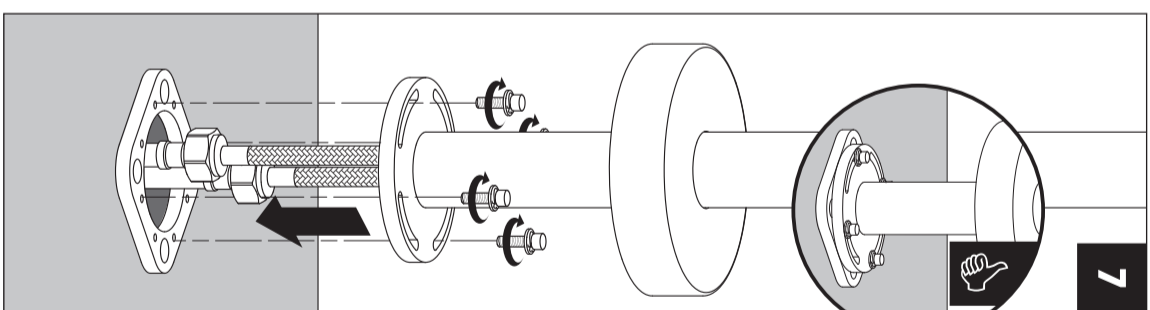
5



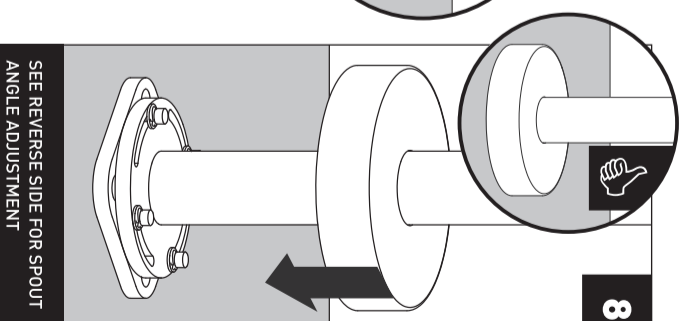
6



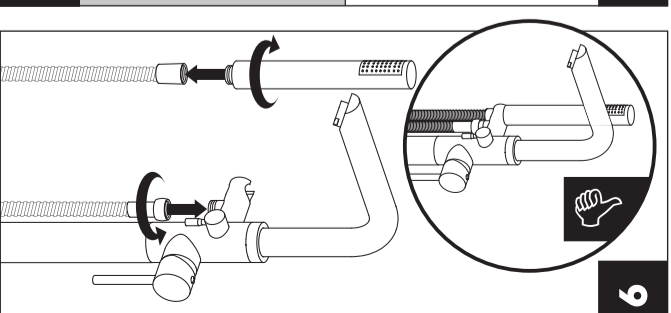
7



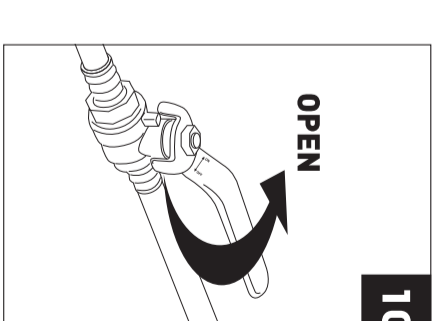
8



9



10



11

