

CRAFTMADE™

CADENCE 54661

PLEASE READ AND SAVE FOR FUTURE REFERENCE.

CAUTION

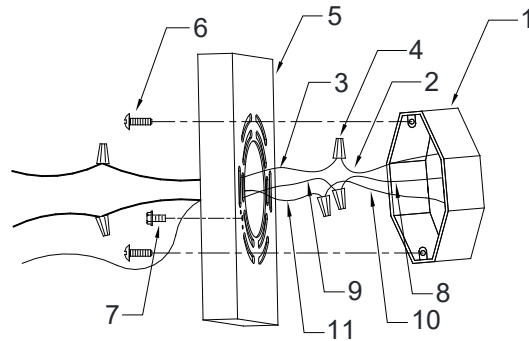
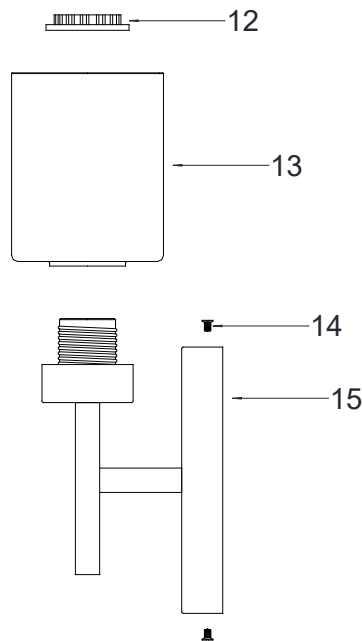
1. Turn off the main power at the circuit breaker before installing the fixture in order to prevent possible shock.
2. All electrical connections must be in accordance with local and National Electrical Code (N.E.C.) standards. If you are unfamiliar with proper electrical wiring connections, obtain the services of a qualified electrician.

GENERAL

Remove all parts and hardware from the box and make sure that none are missing by referencing the illustrations provided.

Bulb Required (not included): 1 -Medium Base 100 Watt Max.

1-LIGHT WALL SCONCE



1. OUTLET BOX (NOT INCLUDED)
2. SUPPLY GROUND WIRE(not included)
- 3.FIXTURE GROUND WIRE
4. WIRE CONNECTOR
5. MOUNTING PLATE
6. OUTLET BOX SCREWS
7. GROUND SCREW
8. WHITE SUPPLY WIRE
9. RIBBED(or WHITE) FIXTURE LEAD WIRE
- 10.BLACK SUPPLY WIRE

11. SMOOTH(or BLACK)FIXTURE LEAD WIRE
12. SOCKET RING
13. GLASS SHADE
14. FIXTURE SCREW
15. FIXTURE