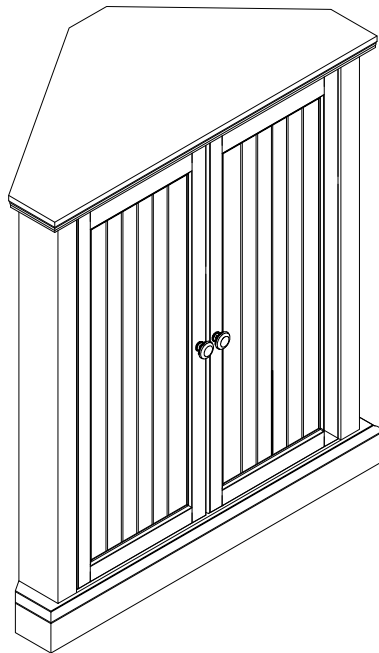
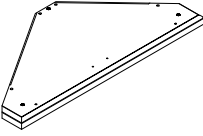
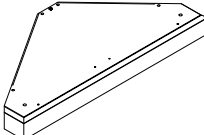
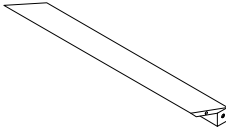
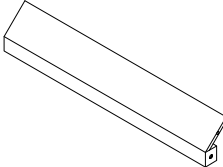
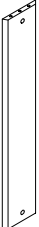

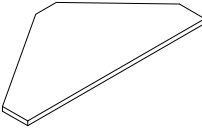
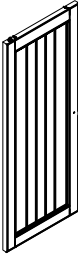




Stackable Corner Pantry
CF3118



PART LIST

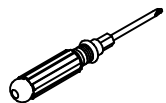
A 	B 	C 	D 	E 
Top Panel 1 PC	Bottom Panel 1 PC	Left Panel 1 PC	Right Panel 1 PC	Back Rail 1 PC
F 	G 	H 		
Back Panel 2 PCS	Adjustable Shelf 1 PC	Door Panel 2 PCS		

HARDWARE LIST

 Ø8*30mm		 7/8"*Ø5/32"		
Wood Dowel 8 PCS (Extra 1)	Knob 2 PCS	Long Round Head Bolt 2 PCS	Double Magnet 1 PC	Round Head Screw 2 PCS (Extra 1)
		 1-1/2"*Ø1/4"*D11mm		
Cam Bolt 4 PCS	Cam Lock 4 PCS (Extra 1)	Bolt 2 PCS	Screw 32 PCS (Extra 1)	Allen Wrench 1 PC
				
Shelf Holder 3 PCS	Connecting Bar 2 PCS	Short Screw 8 PCS	Safety Strap Kit 1 SET	

ADDITIONAL TOOLS (Not Provided)

Note: It is not recommended to use power tools during assembly.

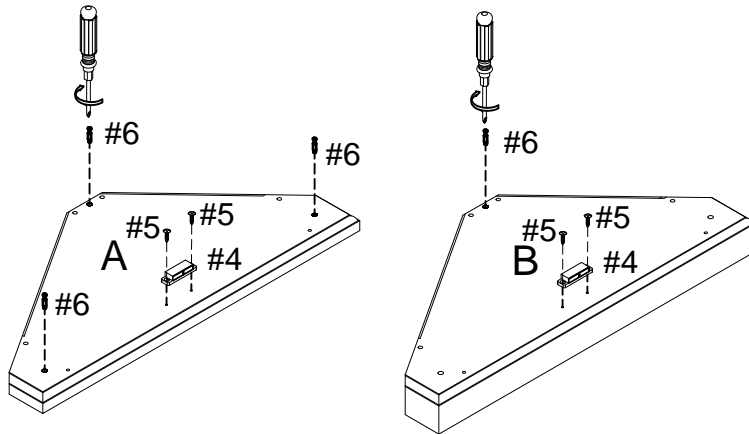





Phillips Head Screwdriver

Note: Wood dowels are intended for alignment. Additional clearance between wood dowel and pre-drilled hole is intentional for ease of assembly.

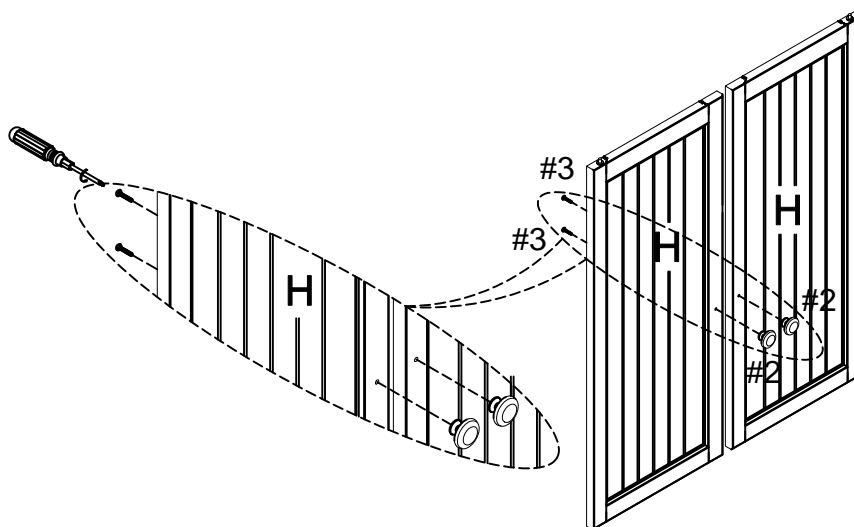
Step 1. There are two installation options for magnet (part #4) based on overlay of pantries. Attach magnet (part #4) to top panel (part A) or bottom panel (part B) using round head screws (part #5) and phillips head screwdriver. Attach cam bolts (part #6) to top panel (part A) and bottom panel (part B) using phillips head screwdriver.



NOTE: Do not overtighten cam bolts. Stop tightening once threads on cam bolt are no longer visible.



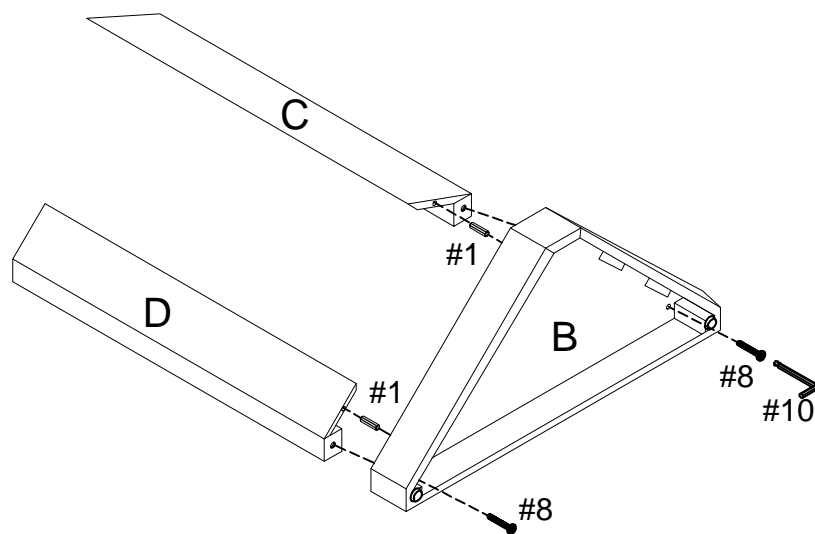
- #4  x 1
- #5  x 2
- #6  x 4



Step 2. Attach knobs (part #2) to door panels (part H) using long round head bolts (part #3) and phillips head screwdriver.



- #2  x 2
- #3  x 2

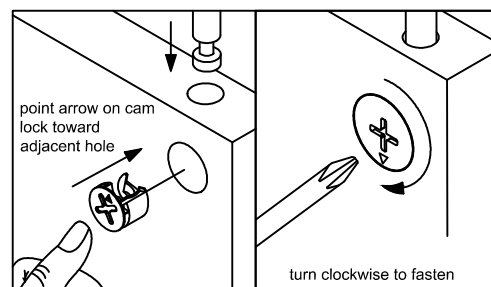
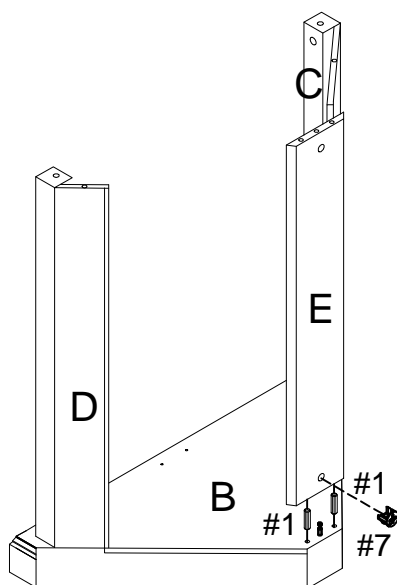
Step 3. Attach panels (parts C & D) to bottom panel (part B) using wood dowels (part #1), bolts (part #8) and allen wrench (part #10).





- #1  x 2
- #8  x 2
- #10  x 1

Step 4. Attach back rail (part E) to bottom panel (part B) using wood dowels (part #1), cam lock (part #7) and phillips head screwdriver.

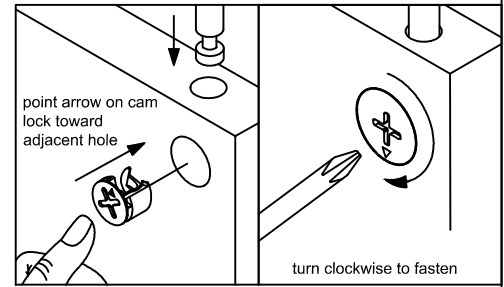
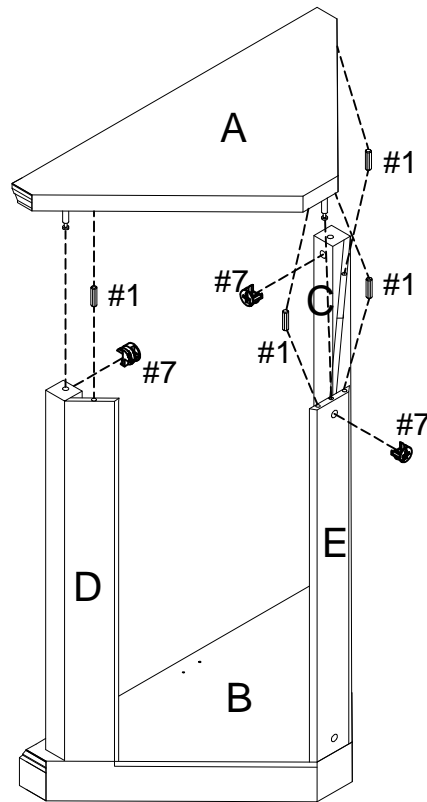
NOTE: Cam locks must rotate a full 180°. See pictured insert.





- #1  x 2
- #7  x 1

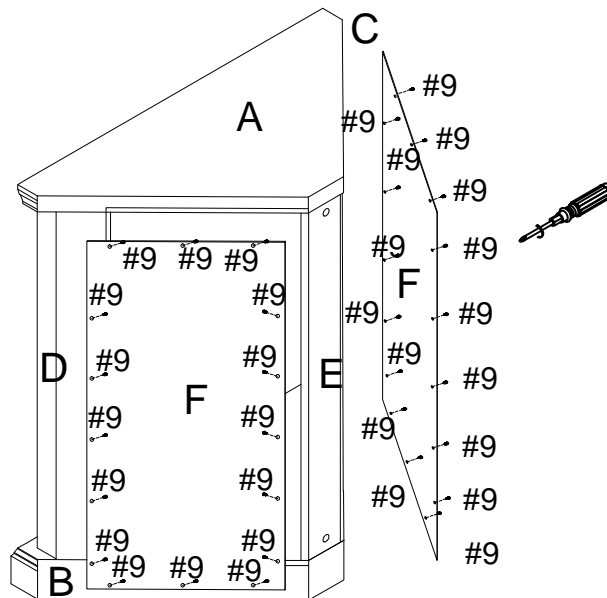
Step 5. Attach top panel (part A) to assembled unit (parts C, D & E) using wood dowels (part #1), cam locks (part #7) and phillips head screwdriver.

NOTE: Cam locks must rotate a full 180°. See pictured insert.



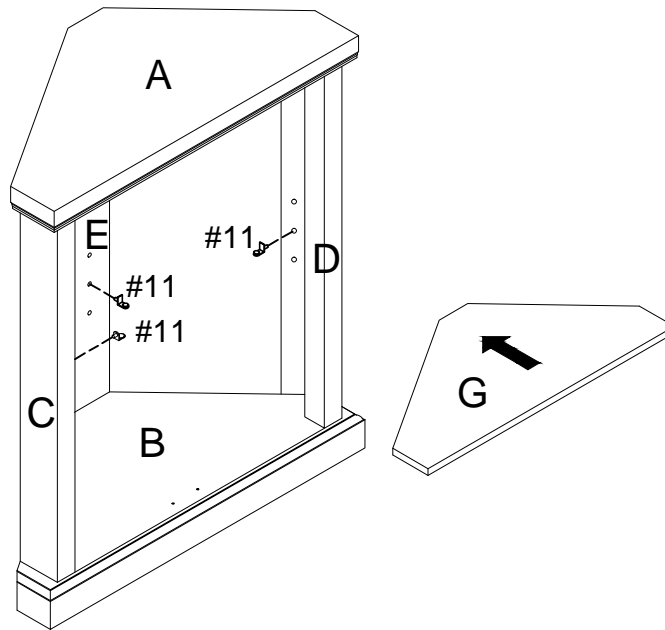
#1  x 4
 #7  x 3

Step 6. Attach back panels (part F) to assembled unit (parts A, B, C, D & E) using screws (part #9) and phillips head screwdriver.



#9  x 32

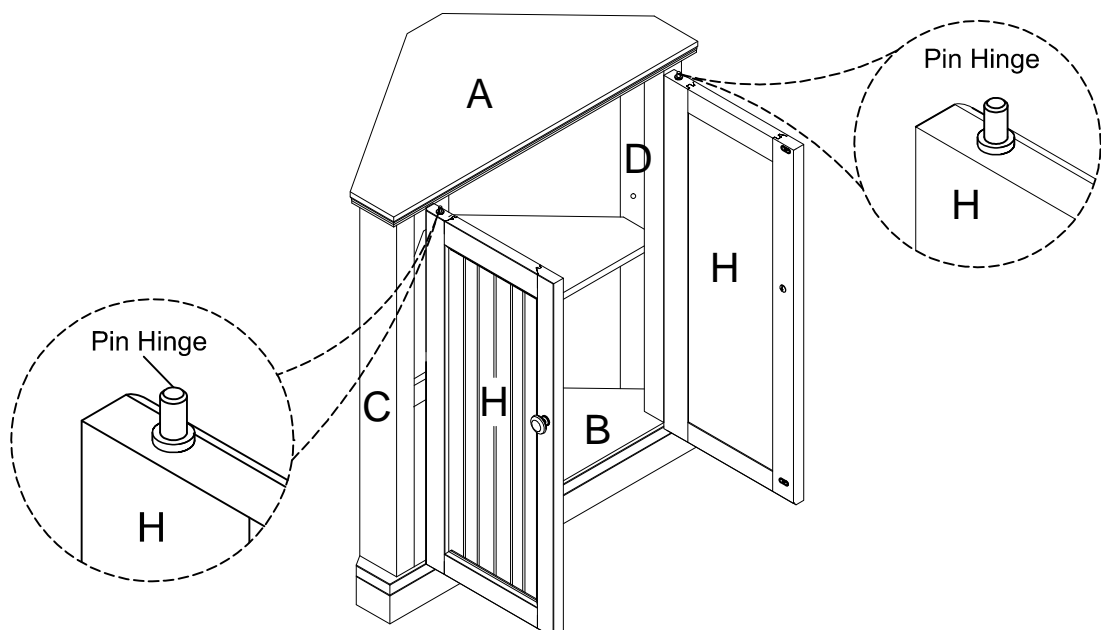
Step 7. Place shelf holders (part #11) into desired position and then slide adjustable shelf (part G) into place.



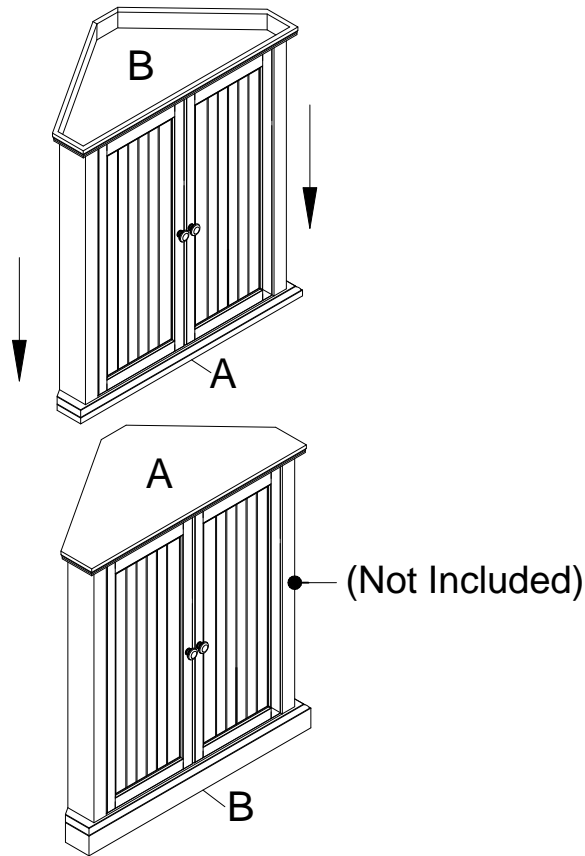
#11  x 3

Step 8. Attach door panels (part H) by placing bottom pin hinge (pre-installed in door) in the pre-drilled hole of bottom panel (part B). Then depress the top spring-loaded pin hinge so it can be placed in the pre-drilled hole of top panel (part A).

NOTE: Be sure top and bottom pin hinges are fully extended to secure doors in place.



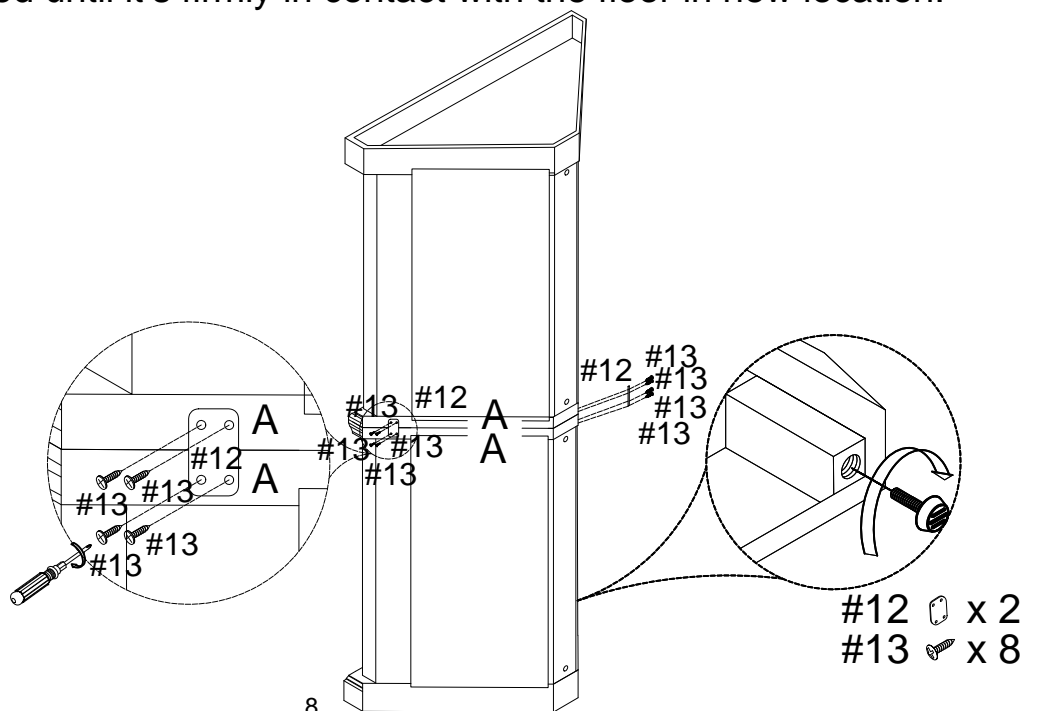
Step 9. Flip and overlay pantries together.


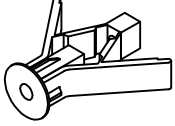



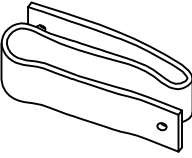


Step 10. Attach connecting bars (part #12) to top panels (part A) using short screws (part #13) and phillips head screwdriver.

Important: Safety strap kit (part #14) must be installed to prevent tipping, damage and/or injury.

NOTE: It is important to adjust levelers once fully assembled and upright. Extend adjustable leveler until it's firmly in contact with the floor. If relocating, adjust leveler as needed until it's firmly in contact with the floor in new location.



#14	A	B	C	D	E
			 D8*3/4"	 D8*1-1/2"	
Safety Strap Kit 1 SET	Wall Anchor 1 PC	Washer 2 PCS	Short Screw 1 PC	Long Screw 1 PC	Safety Wall Strap 1 PC

SAFETY WALL STRAP INSTALLATION

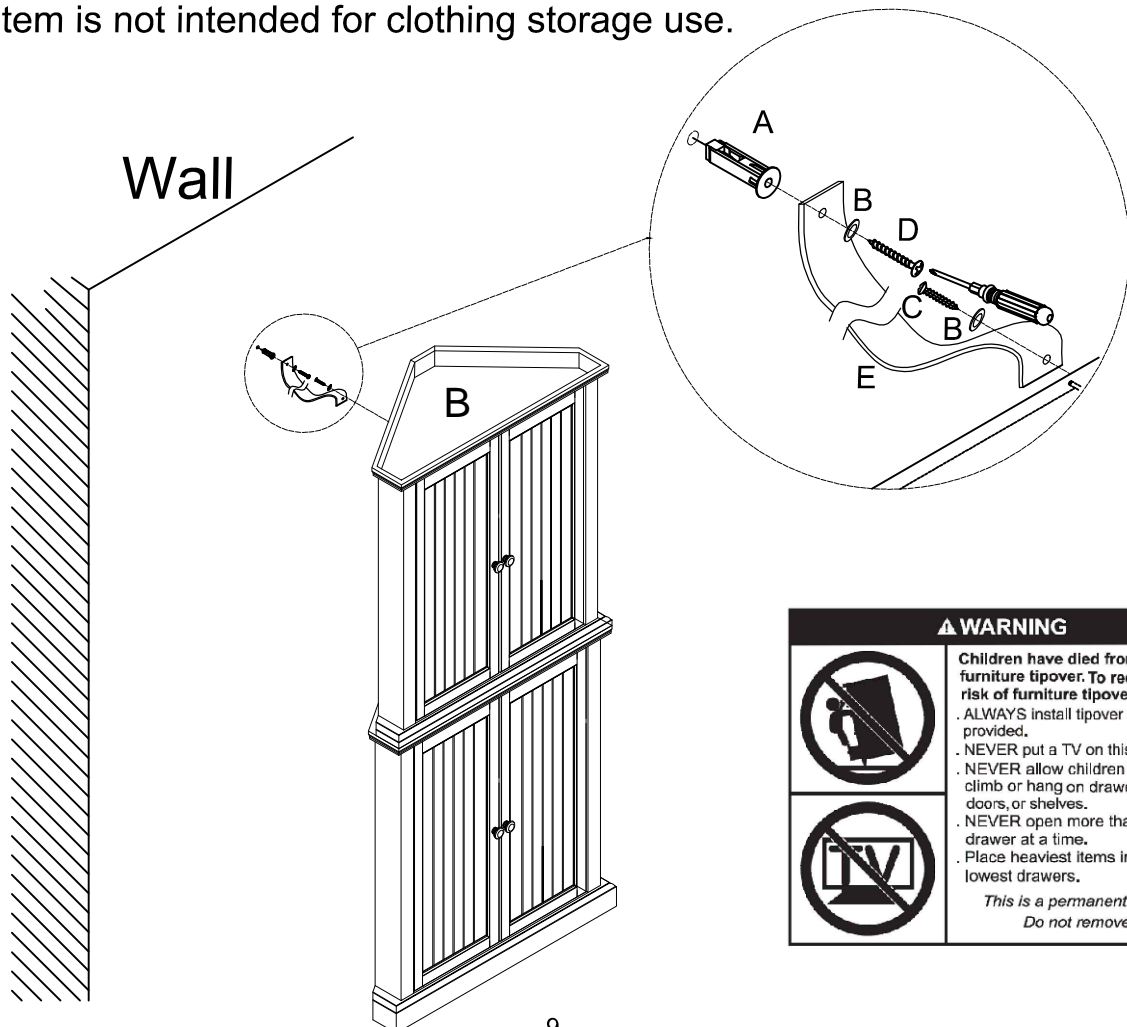
Note: It is highly recommended to install this safety strap kit to prevent tipping, damage and/or injury.

1. Insert short screw (C) through washer (B) and safety wall strap (E) and attach to bottom panel (part B) using phillips head screwdriver.

2. Drill a 1 1/32" hole where you want to secure the unit. The drilled hole will be at the same height as the hole in bottom panel (part B) where the safety wall strap (E) is attached. Tap wall anchor (A) into the hole.

3. Insert long screw (D) through washer (B) and safety wall strap (E) into wall anchor (A) using phillips head screwdriver.

Note: This item is not intended for clothing storage use.



▲ WARNING	
	Children have died from furniture tipover. To reduce the risk of furniture tipover:
	<ul style="list-style-type: none"> ALWAYS install tipover restraint provided. NEVER put a TV on this product. NEVER allow children to stand, climb or hang on drawers, doors, or shelves. NEVER open more than one drawer at a time. Place heaviest items in the lowest drawers.
<p><i>This is a permanent label. Do not remove!</i></p>	