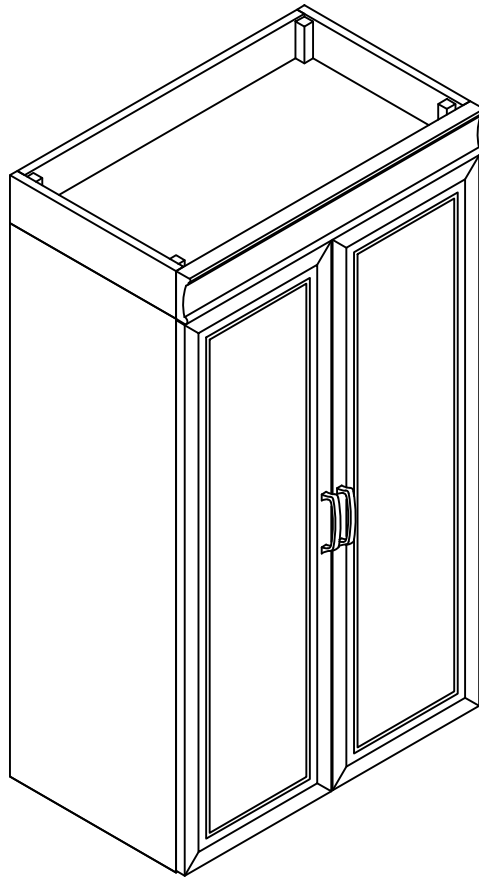


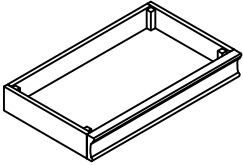

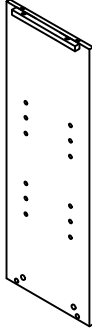
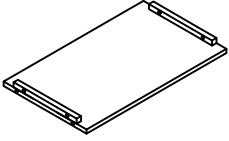
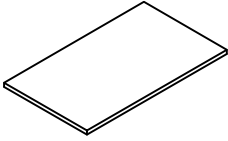
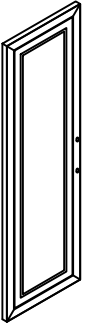
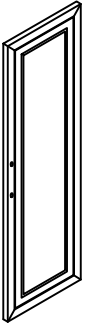
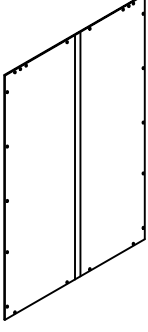
CROSLEY
FURNITURE

Pantry Hutch

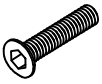


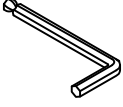
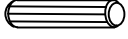
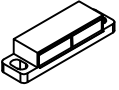

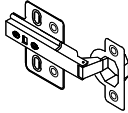





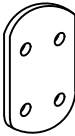
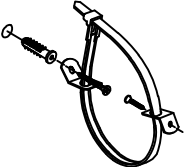
CF3120



PART LIST

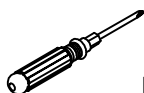
<p>A</p> 	<p>B</p> 	<p>C</p> 	<p>D</p> 	<p>E</p> 
<p>Top Panel 1 PC</p>	<p>Left Panel 1 PC</p>	<p>Right Panel 1 PC</p>	<p>Bottom Panel 1 PC</p>	<p>Adjustable Shelf 2 PCS</p>
<p>F</p> 	<p>G</p> 	<p>H</p> 		
<p>Left Door Panel 1 PC</p>	<p>Right Door Panel 1 PC</p>	<p>Back Panel 1 PC</p>		

HARDWARE LIST

#1  Ø1/4"*25mm Bolt 8 PCS (Extra 1)	#2  Ø1/4"*11mm Spring Washer 8 PCS (Extra 1)	#3  Ø1/4"*13mm Flat Washer 8 PCS (Extra 1)	#4  4mm*90 Allen Wrench 1 PC	#5  Ø8*30mm Wood Dowel 8 PCS (Extra 1)
#6  Magnet 1 PC	#7  6*3*15mm Round Head Screw 10 PCS (Extra 1)	#8  Door Hinge 4 PCS	#9  7*3.5*15mm Screw 24 PCS (Extra 1)	#10  Handle 2 PCS
#11  5/32"*19mm Round Head Bolt 4 PCS (Extra 1)	#12  Shelf Holder 8 PCS (Extra 1)	#13  8*3*15mm Short Screw 18 PCS (Extra 1)	#14  Connecting Bar 2 PCS	#15  Safety Strap Kit 1 SET

ADDITIONAL TOOLS (Not Provided)

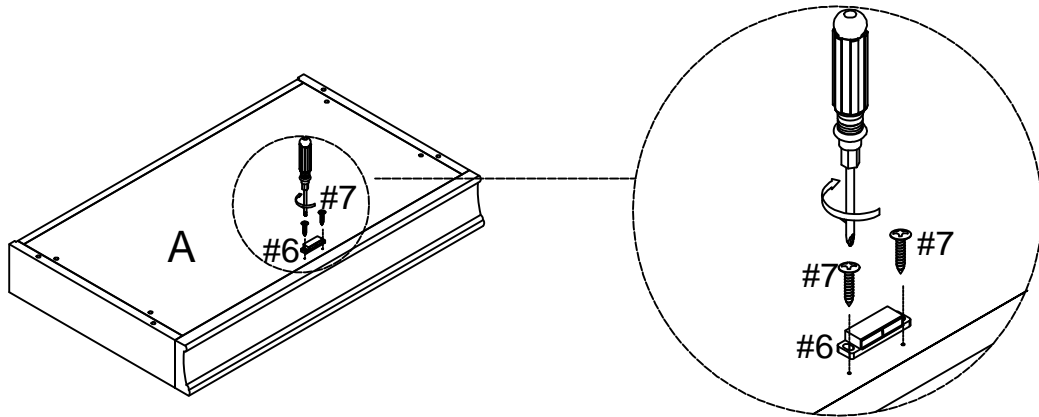
Note: It is not recommended to use power tools during assembly.





Phillips Head Screwdriver

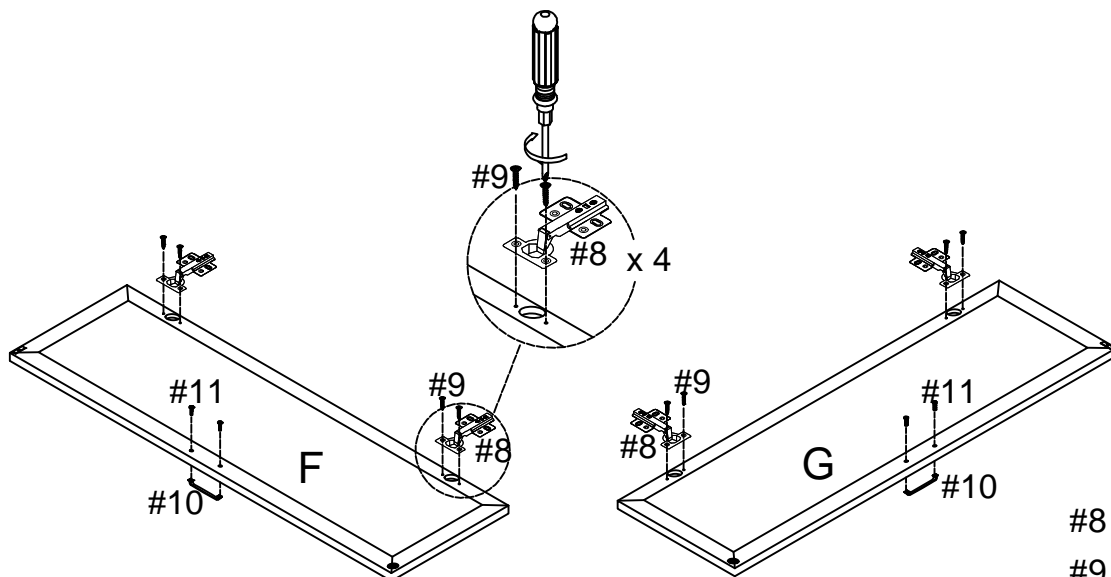
Note: Wood dowels are intended for alignment. Additional clearance between wood dowel and pre-drilled hole is intentional for ease of assembly.





Step 1. Attach magnet (part #6) to top panel (part A) using round head screws (part #7) and phillips head screwdriver.



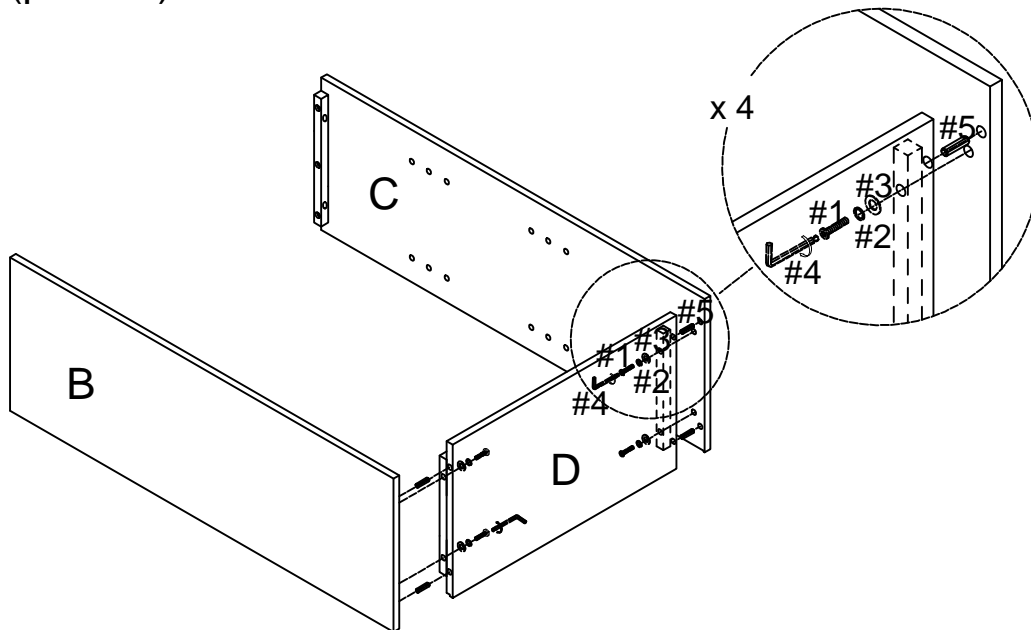
#6  x 1
 #7  x 2


Step 2. Attach door hinges (part #8) to left door panel (part F) and right door panel (part G) using screws (part #9) and phillips head screwdriver. Attach handles (part #10) to left door panel (part F) and right door panel (part G) using round head bolts (part #11) and phillips head screwdriver.



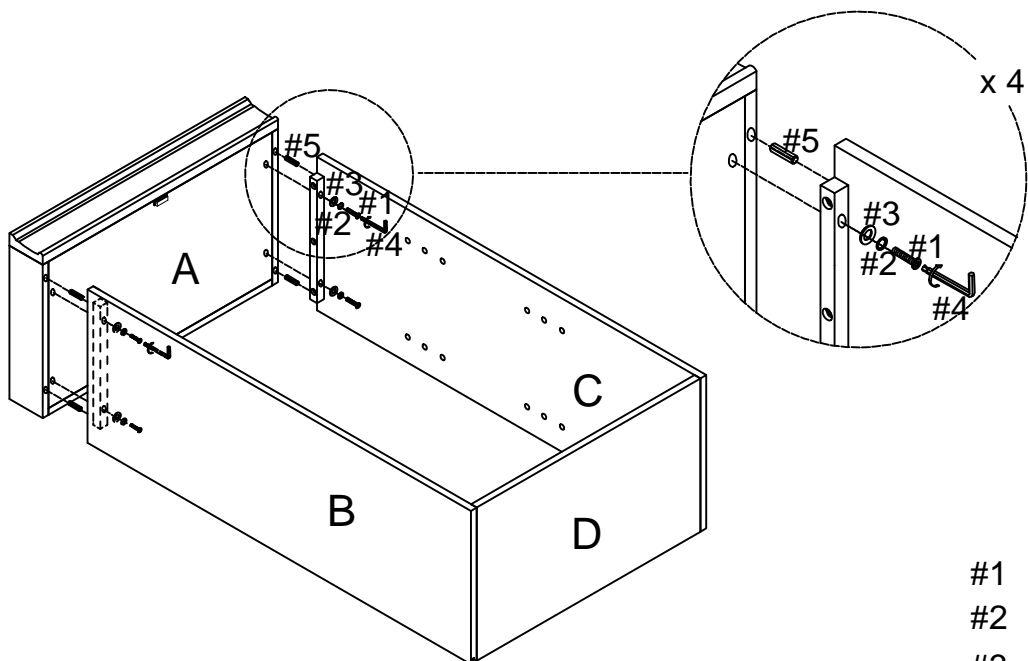
#8  x 4
 #9  x 8
 #10  x 2
 #11  x 4






Step 3. Attach bottom panel (part D) to left panel (part B) and right panel (part C) using wood dowels (part #5), bolts (part #1), spring washers (part #2), flat washers (part #3) and allen wrench (part #4).



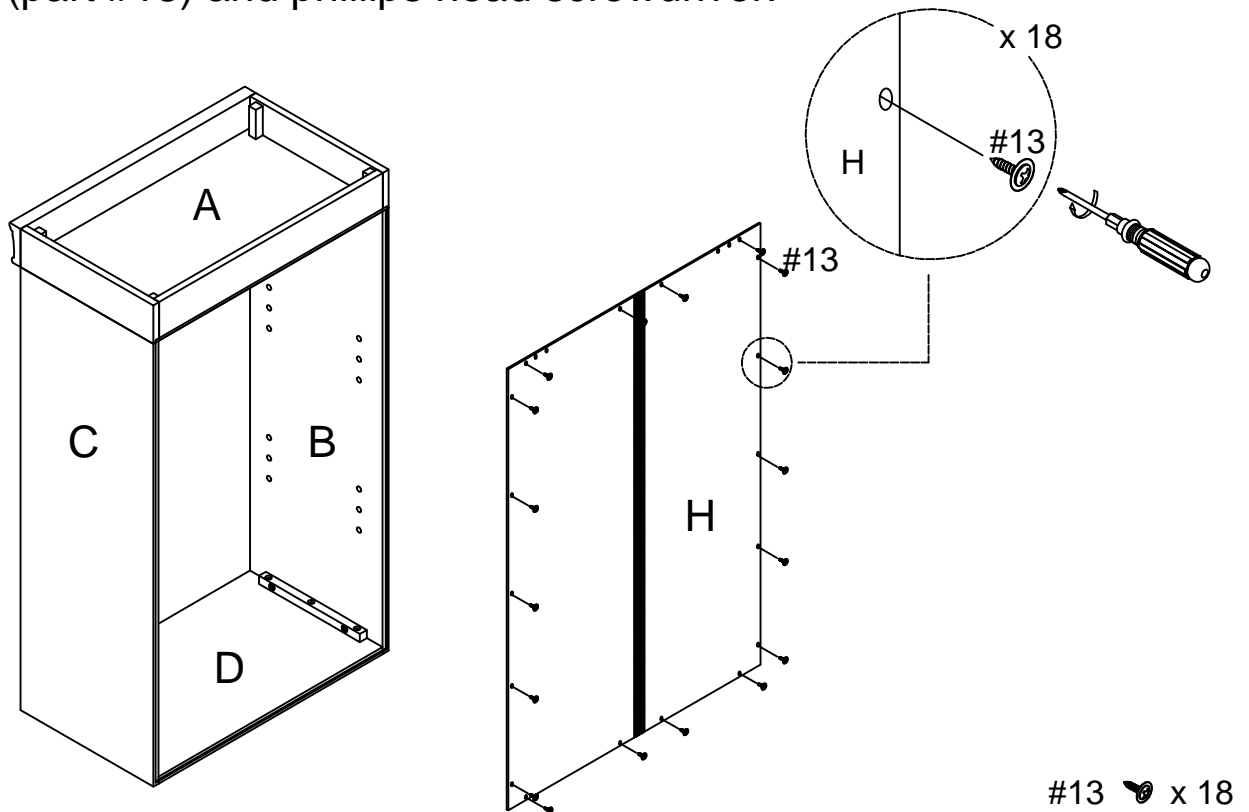
- #1  x 4
- #2  x 4
- #3  x 4
- #4  x 1
- #5  x 4

Step 4. Attach top panel (part A) to assembled unit (parts B, C, & D) using wood dowels (part #5), bolts (part #1), spring washers (part #2), flat washers (part #3) and allen wrench (part #4).

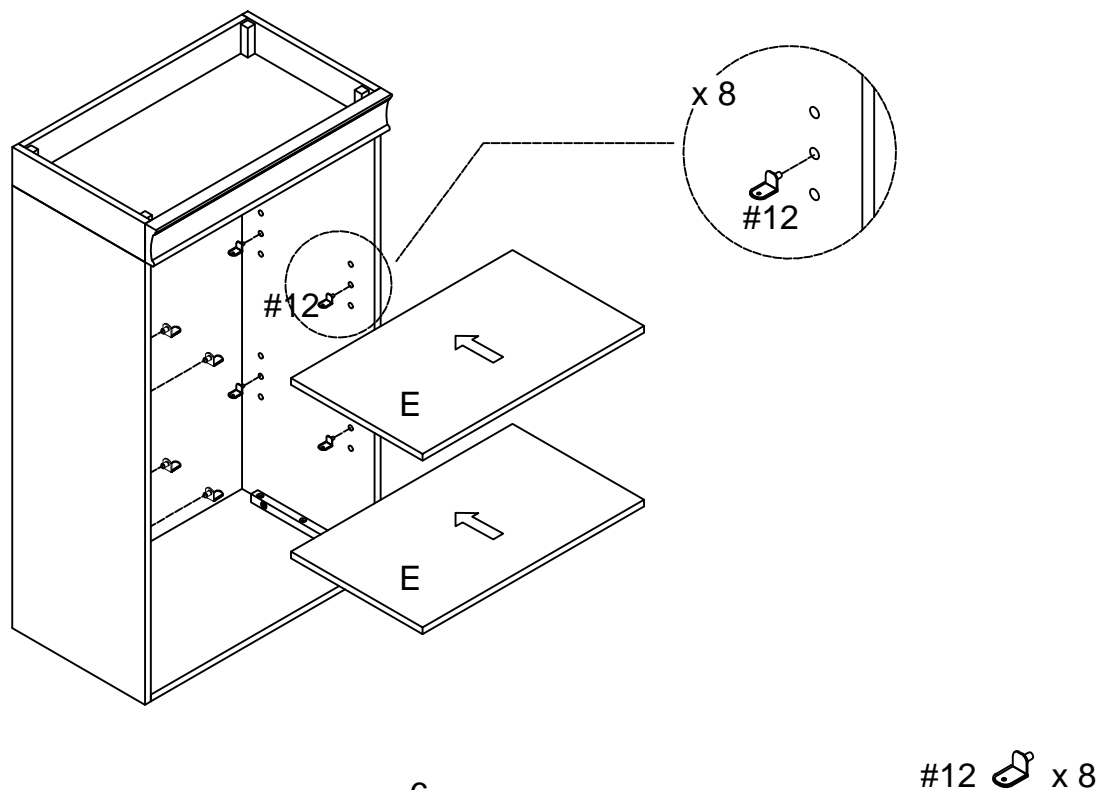


- #1  x 4
- #2  x 4
- #3  x 4
- #4  x 1
- #5  x 4

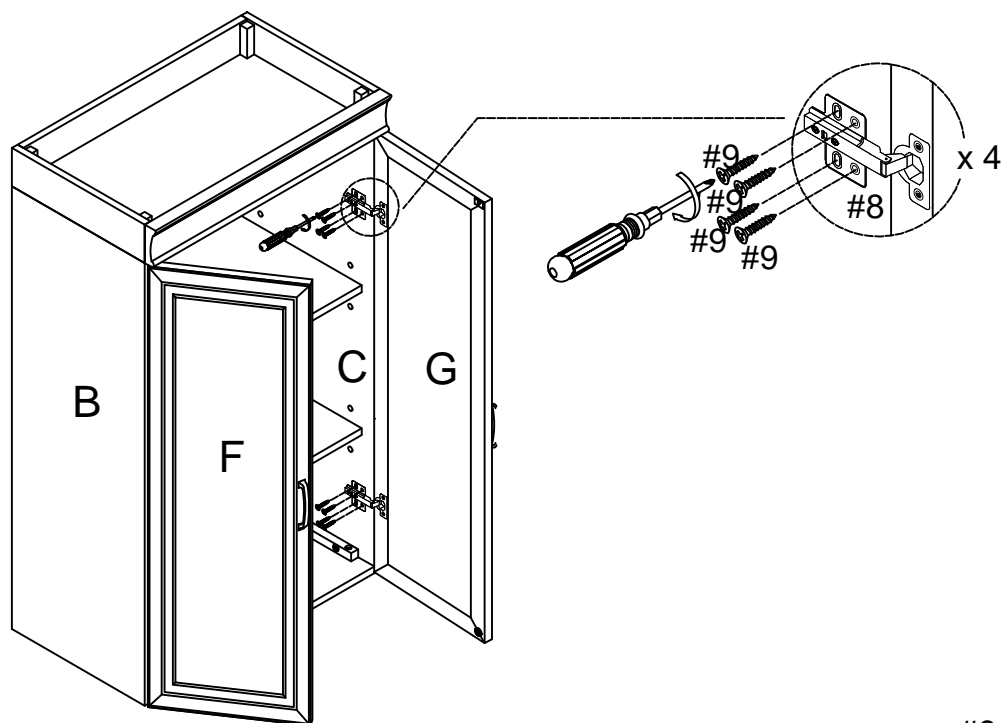
Step 5. Carefully turn unit upright. Attach back panel (part H) to assembled unit (parts A, B, C, & D) using short screws (part #13) and phillips head screwdriver.



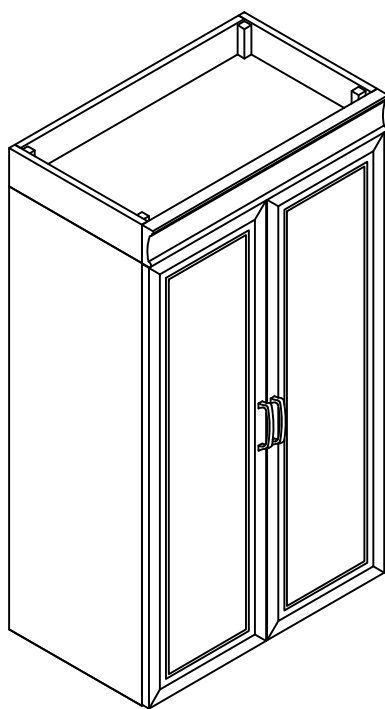
Step 6. Place shelf holders (part #12) into desired position and slide adjustable shelves (part E) into place.



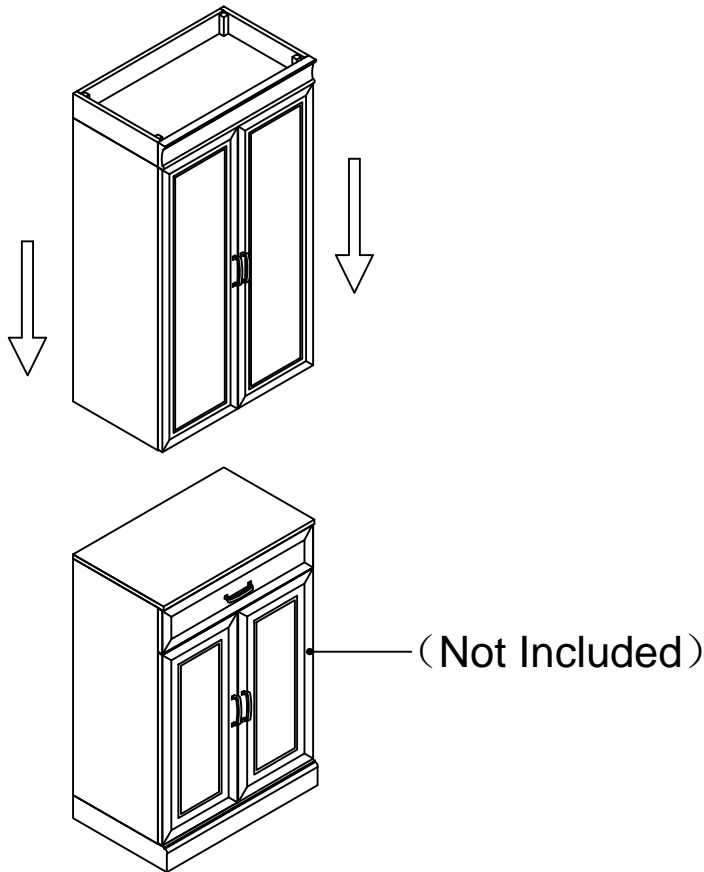
Step 7. Attach door panels (parts F & G) to panels (parts B & C) using screws (part #9) and phillips head screwdriver.



#9  x 16

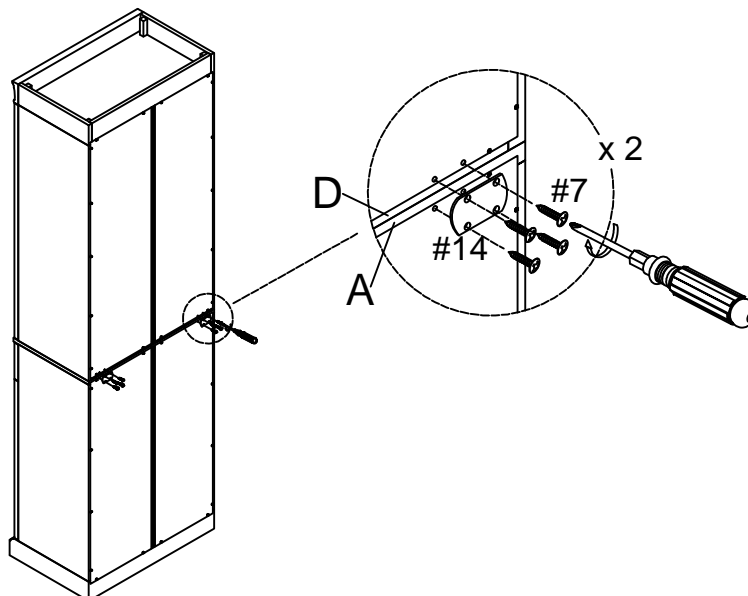



Step 8. Overlay the hutch to base together.

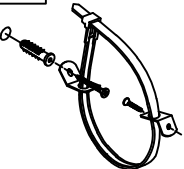







Step 9. Attach connecting bars (part #14) to top panel (part A) and bottom panel (part D) using round head screws (part #7) and phillips head screwdriver.

Important: Safety strap kit (part #15) must be installed to prevent tipping, damage and/or injury.



#7  x 8
#14  x 2

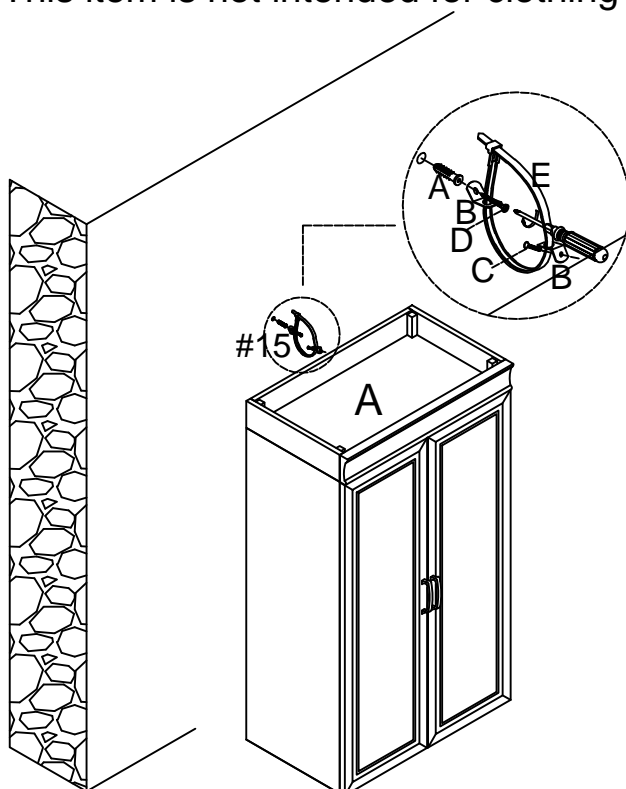
#15	A	B	C	D	E
					
Safety Strap Kit 1 SET	Wall Anchor 1 PC	Bracket 2 PCS	Short Screw 1 PC	Long Screw 1 PC	Safety Wall Strap 1 PC



SAFETY WALL STRAP INSTALLATION

Note: It is highly recommended to install this safety strap kit to prevent tipping, damage and/or injury.

1. Insert short screw (C) and safety wall strap (E) through bracket (B) and attach to top panel (part A) using phillips head screwdriver.
2. Drill a 11/32" hole where you want to secure the unit. The drilled hole will be at the same height as the hole in top panel (part A) where bracket (B) is attached. Tap wall anchor (A) into the hole.
3. Insert long screw (D) and safety wall strap (E) through bracket (B) into wall anchor (A) using phillips head screwdriver.

Note: This item is not intended for clothing storage use.

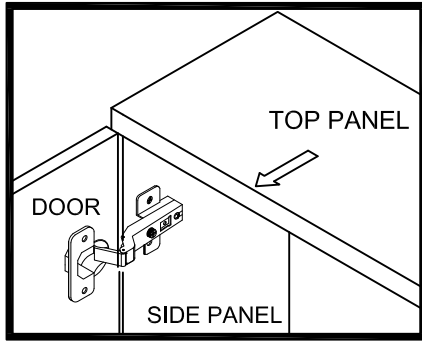


⚠ WARNING	
	Children have died from furniture tipover. To reduce the risk of furniture tipover:
	<ul style="list-style-type: none"> • ALWAYS install tipover restraint provided. • NEVER put a TV on this product. • NEVER allow children to stand, climb or hang on drawers, doors, or shelves. • NEVER open more than one drawer at a time. • Place heaviest items in the lowest drawers. <p><i>This is a permanent label. Do not remove!</i></p>

ADJUST YOUR DOORS TO MAKE THE GAPS MORE EVEN (OPTIONAL).

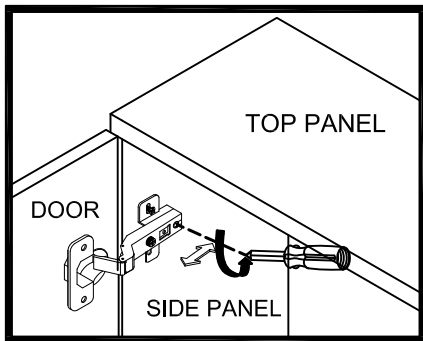
STEP 1

Open the door.



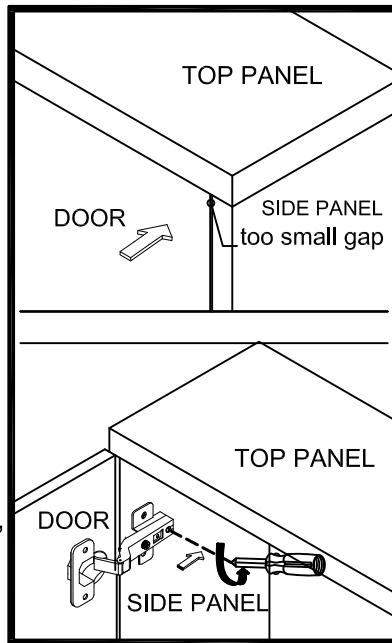
STEP 2

Adjust the gap between door panel and side panel



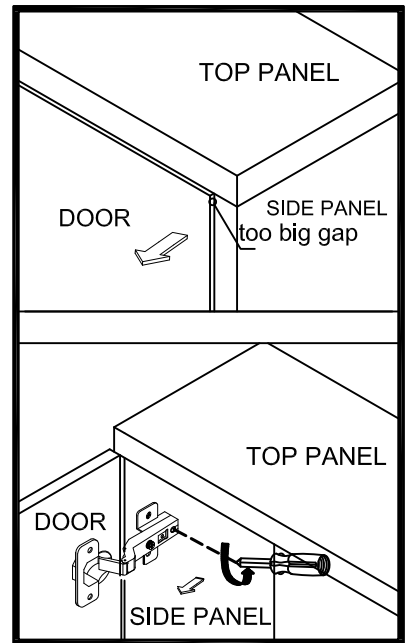
Loosen the screw indicated a little, adjust the hinge to right position (see step 2a & 2b), then tighten the screw.

STEP 2a MOVE DOOR IN



Push the hinge back a little.

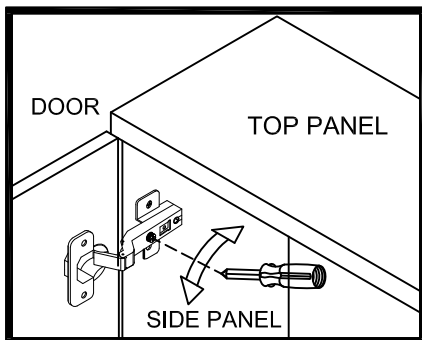
STEP 2b MOVE DOOR OUT



Pull the hinge forward a little.

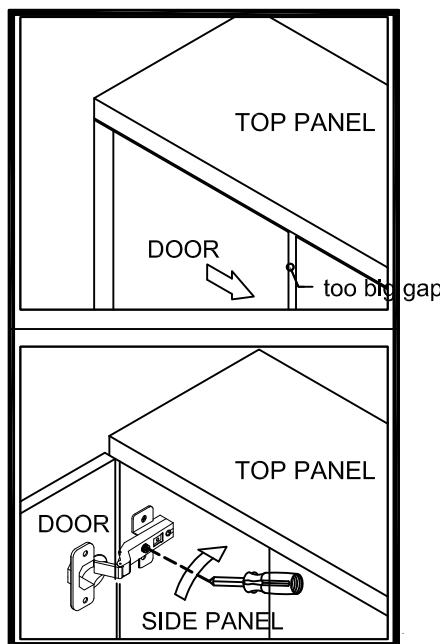
STEP 3

To adjust the gap between two door



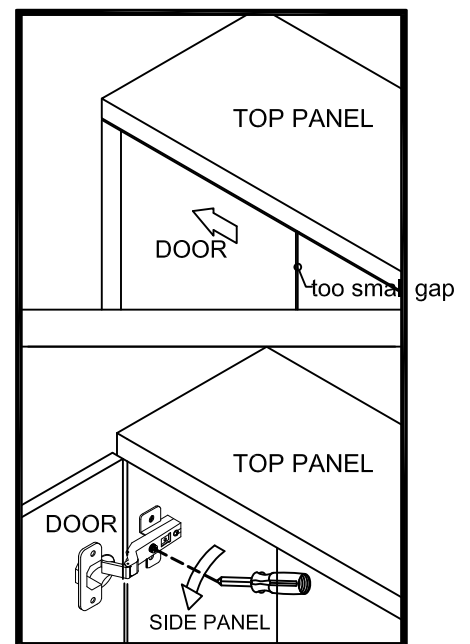
Loosen or tighten the screw indicated a little to adjust the gap between doors panels (see step 3a & step 3b)

STEP 3a MOVE DOOR RIGHT



Turn the screw clockwise a little as shown to make the gap small.

STEP 3b MOVE DOOR LEFT



Turn the screw counterclockwise a little as shown to make the gap big.