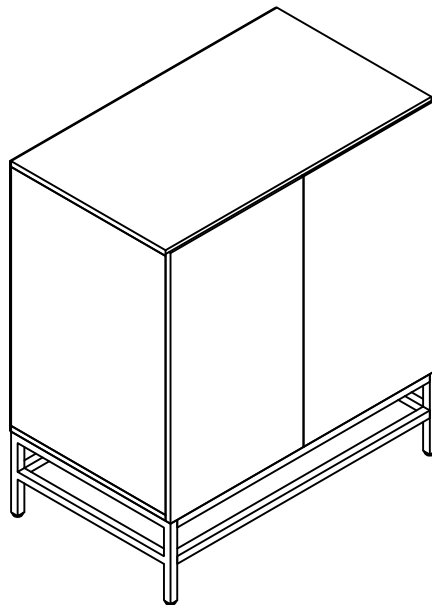
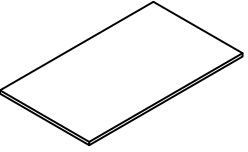
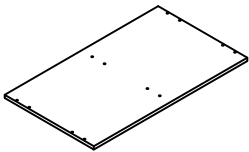
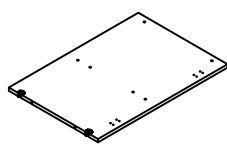
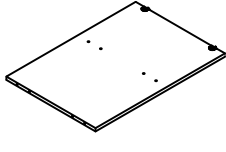
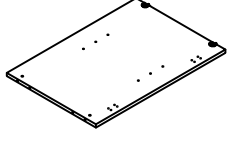
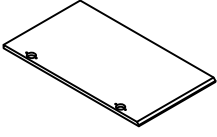
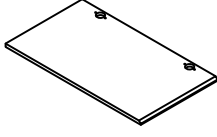
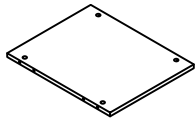
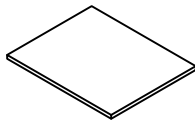
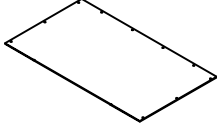
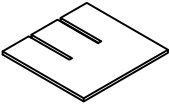
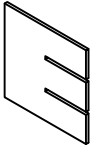
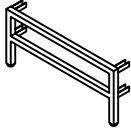
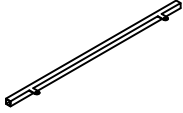

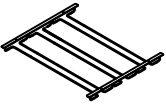


**CROSLEY**  
FURNITURE



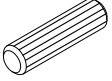
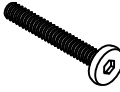


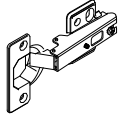





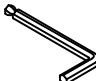

Bar Cabinet  
CF4011



# PART LIST

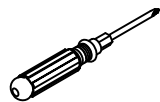
<p><b>A</b></p> 	<p><b>B</b></p> 	<p><b>C</b></p> 	<p><b>D</b></p> 	<p><b>E</b></p> 
<p>Top Panel 1 PC</p>	<p>Bottom Panel 1 PC</p>	<p>Left Panel 1 PC</p>	<p>Partition Panel 1 PC</p>	<p>Right Panel 1 PC</p>
<p><b>F</b></p> 	<p><b>G</b></p> 	<p><b>H</b></p> 	<p><b>I</b></p> 	<p><b>J</b></p> 
<p>Left Door Panel 1 PC</p>	<p>Right Door Panel 1 PC</p>	<p>Fixed Shelf 1 PC</p>	<p>Adjustable Shelf 1 PC</p>	<p>Back Panel 2 PCS</p>
<p><b>K</b></p> 	<p><b>L</b></p> 	<p><b>M</b></p> 	<p><b>N</b></p> 	<p><b>O</b></p> 
<p>Small Wine Rack 2 PCS</p>	<p>Large Wine Rack 2 PCS</p>	<p>Side Frame 2 PCS</p>	<p>Upper Rail 2 PCS</p>	<p>Bottom Rail 2 PCS</p>
<p><b>P</b></p>  <p>Bracket 1 PC</p>				

# HARDWARE LIST

<p><b>#1</b></p> 	<p><b>#2</b></p> 	<p><b>#3</b></p>  <p>Ø8*30mm</p>	<p><b>#4</b></p>  <p>2"*Ø1/4"*D11mm</p>	<p><b>#5</b></p>  <p>1/2"*Ø1/4"*D11mm</p>
<p>Cam Bolt 4 PCS (Extra 1)</p>	<p>Cam Lock 4 PCS (Extra 1)</p>	<p>Wood Dowel 16 PCS (Extra 1)</p>	<p>Long Bolt 6 PCS (Extra 1)</p>	<p>Short Bolt 20 PCS (Extra 1)</p>
<p><b>#6</b></p> 	<p><b>#7</b></p> 	<p><b>#8</b></p>  <p>Ø1/8"*13mm</p>	<p><b>#9</b></p>  <p>1/2"*Ø3.5*D8mm</p>	<p><b>#10</b></p>  <p>Ø12*7*D6mm</p>
<p>Barrel Nut 6 PCS</p>	<p>Door Hinge 4 PCS</p>	<p>Screw 24 PCS (Extra 1)</p>	<p>Flat Head Screw 4 PCS (Extra 1)</p>	<p>Round Head Screw 22 PCS (Extra 1)</p>
<p><b>#11</b></p> 	<p><b>#12</b></p> 	<p><b>#13</b></p> 	<p><b>#14</b></p> 	
<p>Shelf Holder 4 PCS</p>	<p>Flat Washer 4 PCS (Extra 1)</p>	<p>Allen Wrench 1 PC</p>	<p>Safety Strap Kit 1 PC</p>	

## ADDITIONAL TOOLS (Not Provided)

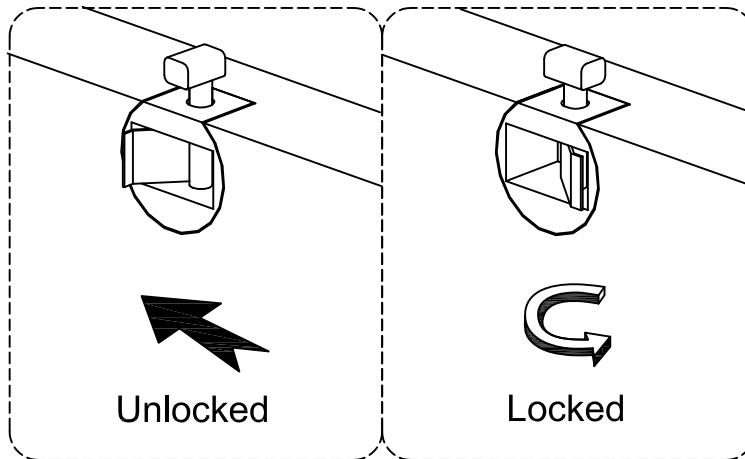
Note: It is not recommended to use power tools during assembly.



Phillips Head Screwdriver

Note: Wood dowels are intended for alignment. Additional clearance between wood dowel and pre-drilled hole is intentional for ease of assembly.

Please do not use tools to assemble this unit unless specifically indicated.

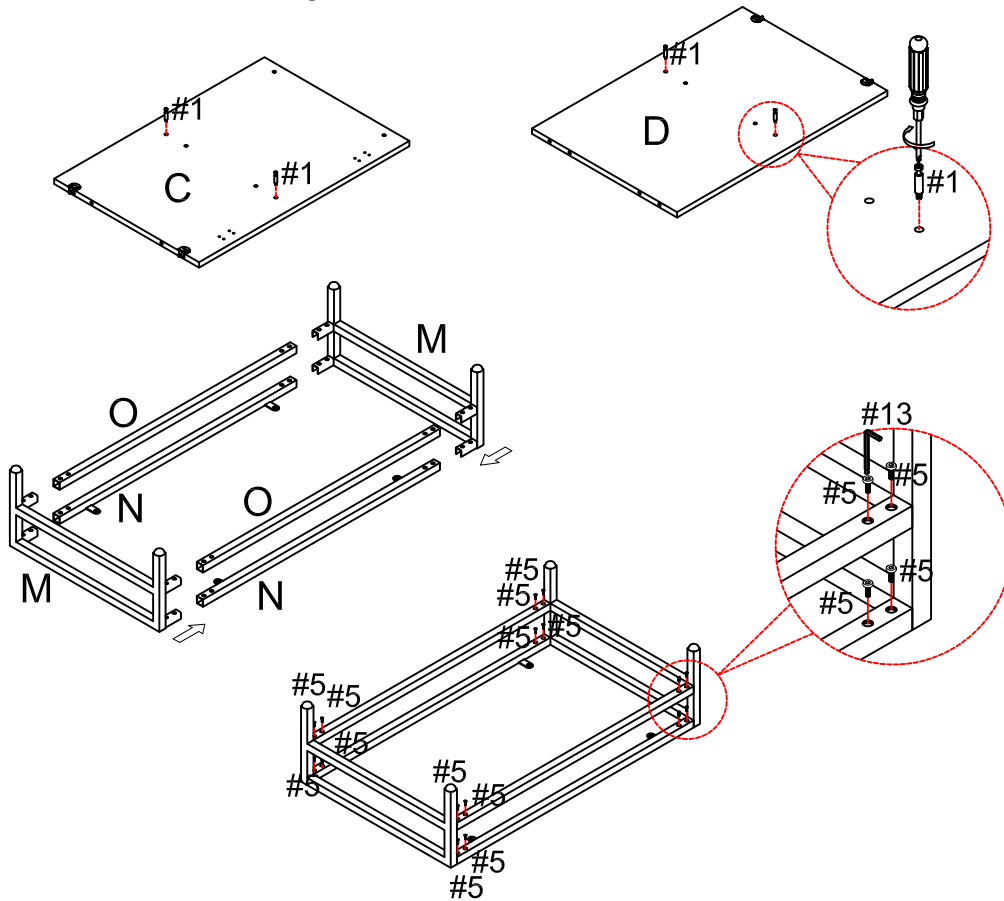





Reference the images above any time the instructions state "lock the hardware".

Note: Be sure to check all hardware is locked when completed.

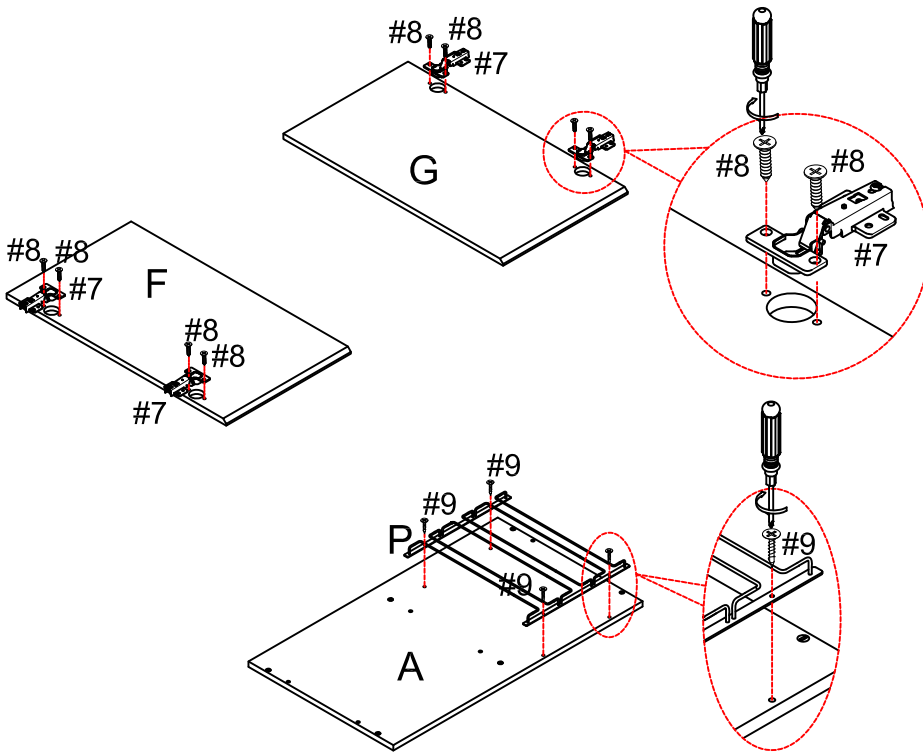
Step 1. Attach cam bolts (part #1) to panels (parts C & D) using phillips head screwdriver. Insert side frames (part M) into rails (parts N & O) using short bolts (part #5) and allen wrench (part #13).

NOTE: Do not overtighten cam bolts. Stop tightening once threads on cam bolt are no longer visible.



- #1  x 4
- #5  x 16
- #13  x 1

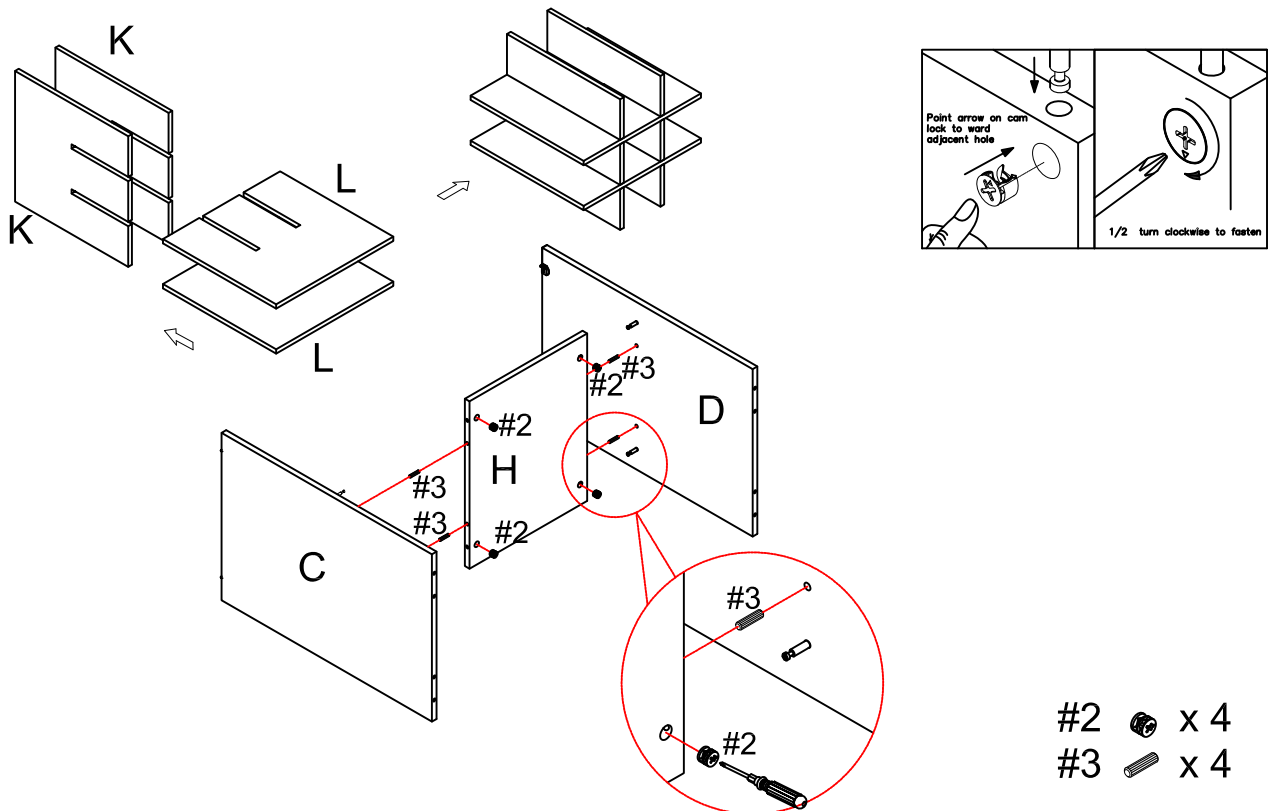
Step 2. Attach door hinges (part #7) to door panels (parts F & G) using screws (part #8) and phillips head screwdriver. Attach bracket (part P) to top panel (part A) using flat head screws (part #9) and phillips head screwdriver.




- #7  x 4
- #8  x 8
- #9  x 4

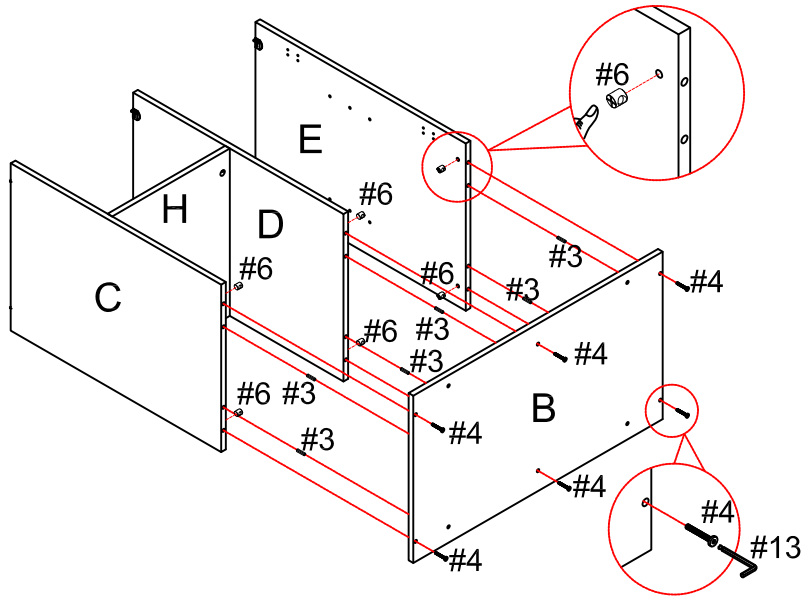
Step 3. Slide small wine racks (part K) to large wine racks (part L) as shown. Attach panels (parts C & D) to fixed shelf (part H) using wood dowels (part #3) and cam locks (part #2).





NOTE: Cam locks must rotate a full 180°. See pictured insert.



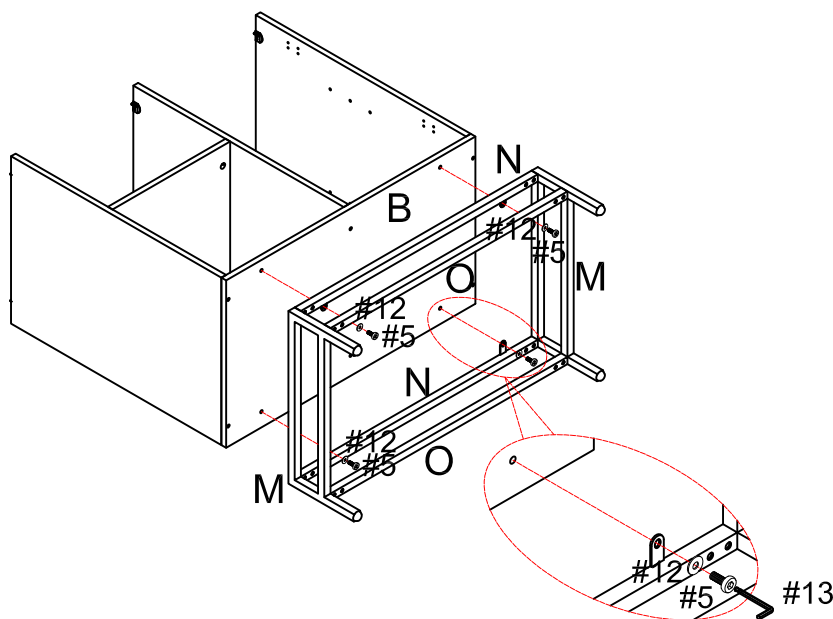
- #2  x 4
- #3  x 4




Step 4. Attach bottom panel (part B) to assembled unit (parts C & D) and then attach right panel (part E) to bottom panel (part B) using wood dowels (part #3), long bolts (part #4), barrel nuts (part #6) and allen wrench (part #13).



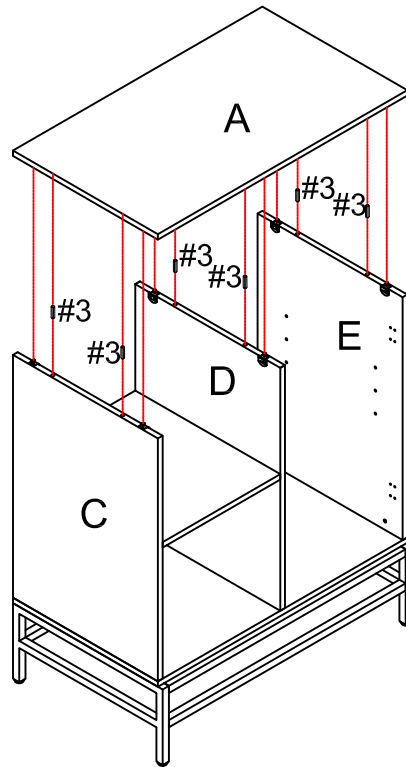
- #3  x 6
- #4  x 6
- #6  x 6
- #13  x 1

Step 5. Attach assembled unit (parts M, N & O) to bottom panel (part B) using short bolts (part #5), flat washers (part #12) and allen wrench (part #13).



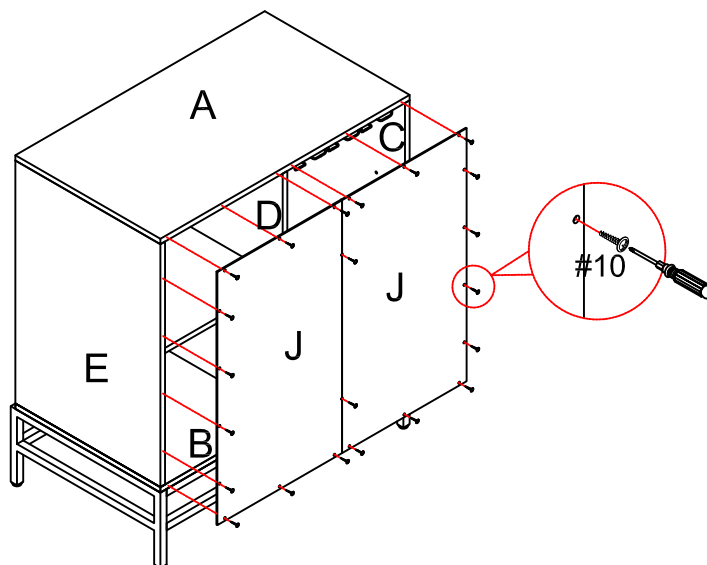
- #5  x 4
- #12  x 4
- #13  x 1

Step 6. Carefully turn unit upright. Attach top panel (part A) to assembled unit (parts C, D & E) using wood dowels (part #3) and lock the hardware.



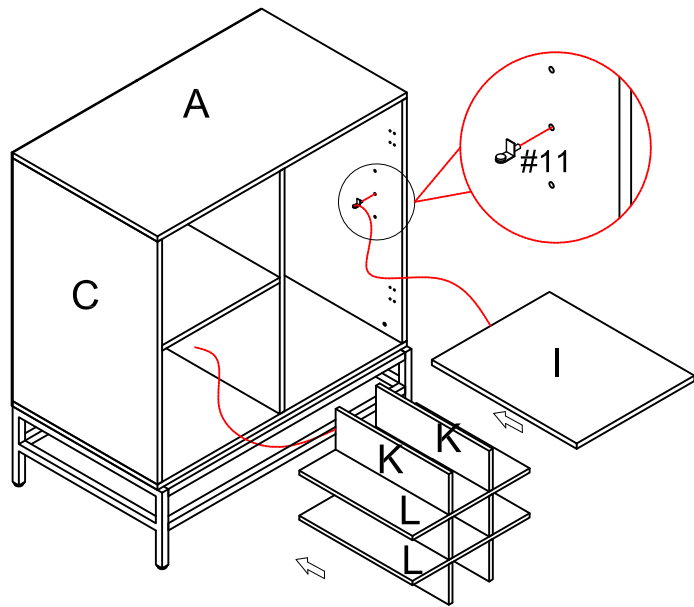
#3  x 6

Step 7. Attach back panels (part J) to assembled unit (parts A, B, C, D & E) using round head screws (part #10) and phillips head screwdriver.



#10  x 22

Step 8. Place shelf holders (part #11) into desired position and then slide adjustable shelf (part I) into place. Slide assembled unit (parts K & L) into place.

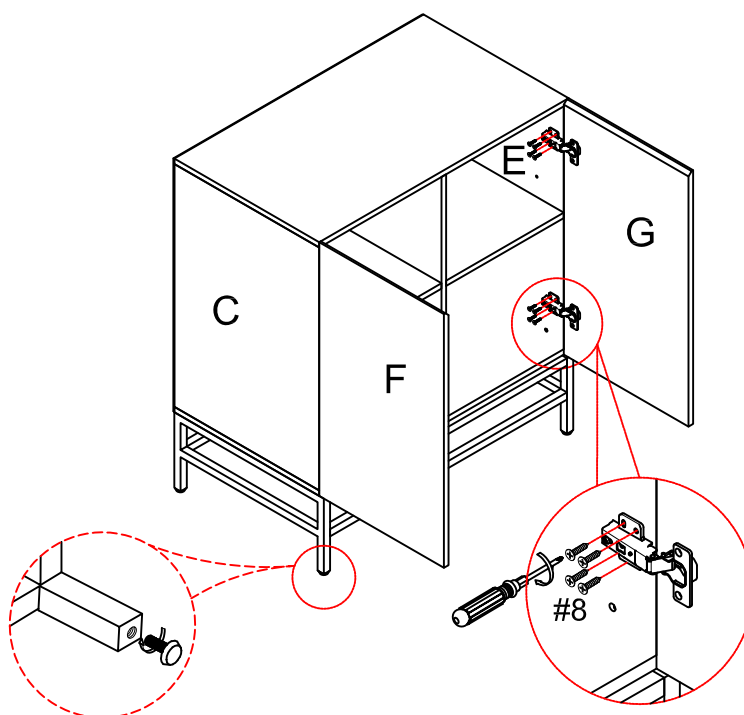


#11  x 4

Step 9. Attach door panels (parts F & G) to panels (parts C & E) with door hinges using screws (part #8) and phillips head screwdriver.


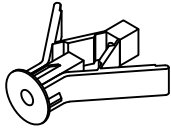



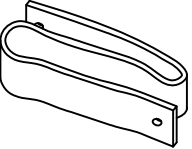
NOTE: It is important to adjust levelers once fully assembled and upright. Extend adjustable leveler until it's firmly in contact with the floor. If relocating, adjust leveler as needed until it's firmly in contact with the floor in new location.

Important: Safety strap kit (part #14) must be installed to prevent tipping, damage and/or injury.



#8  x 16



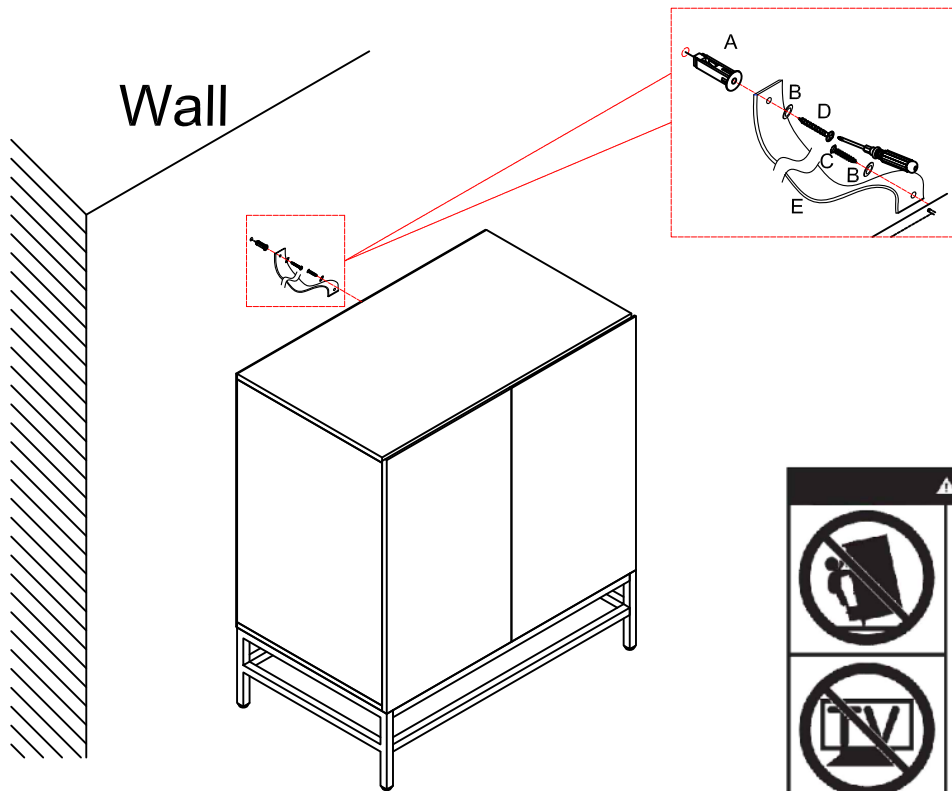
#14 	A 	B 	C  D8*3/4"	D  D8*1-1/2"	E 
Safety Strap Kit 1 PC	Wall Anchor 1 PC	Washer 2 PCS	Short Screw 1 PC	Long Screw 1 PC	Safety Wall Strap 1 PC

### SAFETY WALL STRAP INSTALLATION

Note: It is highly recommended to install this safety strap kit to prevent tipping, damage and/or injury.

1. Insert short screw (C) through washer (B) and safety wall strap (E) and attach to back panel (part J) using phillips head screwdriver.
2. Drill a 11/32" hole where you want to secure the unit. The drilled hole will be at the same height as the hole in back panel (part J) where the safety wall strap (E) is attached. Tap wall anchor (A) into the hole.
3. Insert long screw (D) through washer (B) and safety wall strap (E) into wall anchor (A) using phillips head screwdriver.

Note: This item is not intended for clothing storage use.



**⚠ WARNING**

Children have died from furniture tipover. To reduce the risk of furniture tipover:

- ALWAYS install tipover restraint provided.
- NEVER put a TV on this product.
- NEVER allow children to stand, climb or hang on drawers, doors, or shelves.
- NEVER open more than one drawer at a time.
- Place heaviest items in the lowest drawers.

*This is a permanent label. Do not remove!*