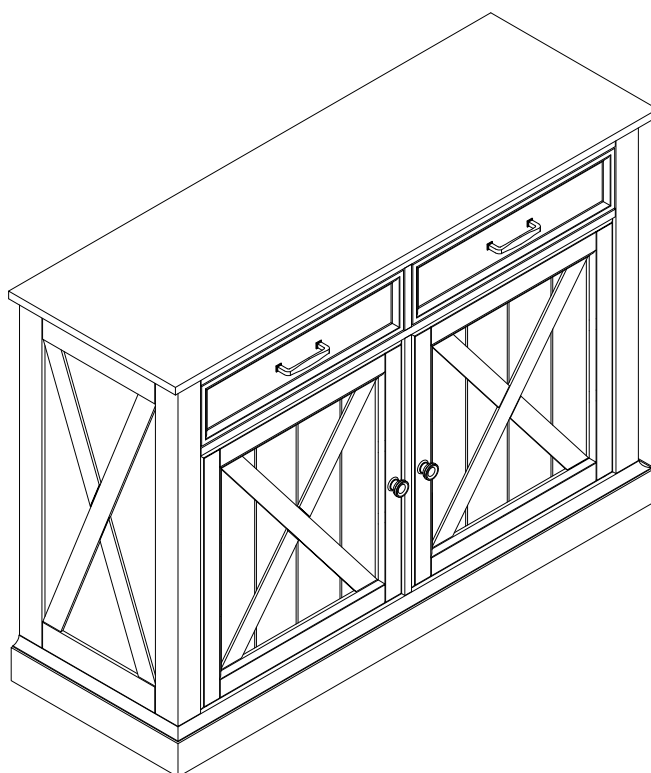
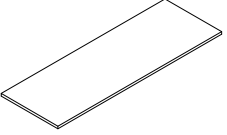
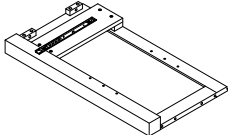
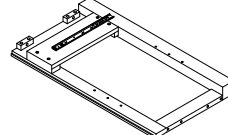
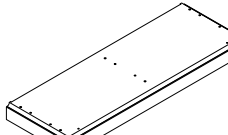
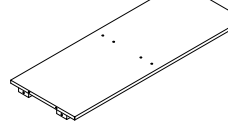
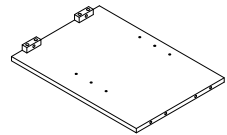
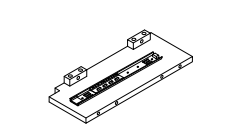
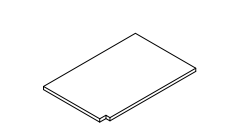
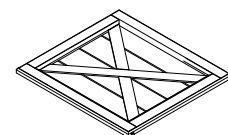
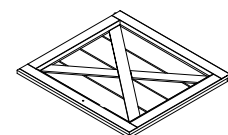
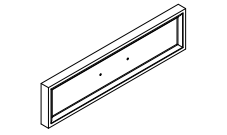
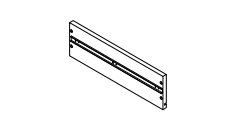
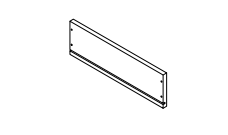
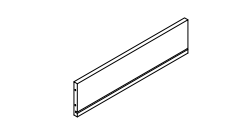
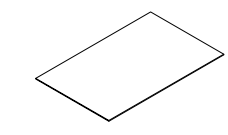
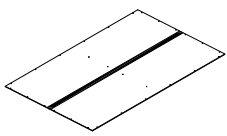








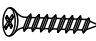









Sideboard
CF4210



PART LIST

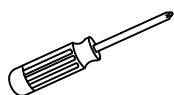
<p>A</p> 	<p>B</p> 	<p>C</p> 	<p>D</p> 	<p>E</p> 
<p>Top Panel 1 PC</p>	<p>Left Panel 1 PC</p>	<p>Right Panel 1 PC</p>	<p>Bottom Panel 1 PC</p>	<p>Shelf Panel 1 PC</p>
<p>F</p> 	<p>G</p> 	<p>H</p> 	<p>I</p> 	<p>J</p> 
<p>Middle Panel 1 PC</p>	<p>Upper Middle Panel 1 PC</p>	<p>Adjustable Shelf 2 PCS</p>	<p>Left Door Panel 1 PC</p>	<p>Right Door Panel 1 PC</p>
<p>K</p> 	<p>L</p> 	<p>M</p> 	<p>N</p> 	<p>O</p> 
<p>Drawer Front Panel 2 PCS</p>	<p>Drawer Left Panel 2 PCS</p>	<p>Drawer Right Panel 2 PCS</p>	<p>Drawer Back Panel 2 PCS</p>	<p>Drawer Bottom Panel 2 PCS</p>
<p>P</p>  <p>Back Panel 1 PC</p>				

HARDWARE LIST

 $\phi 1/4" \times 1-1/4"$	 $\phi 1/4"$	 $\phi 1/4" \times 16\text{mm}$	 $\phi 8 \times 30\text{mm}$	 $\phi 8 \times 1"$
Bolt 20 PCS (Extra 1)	Spring Washer 18 PCS (Extra 1)	Flat Washer 18 PCS (Extra 1)	Wood Dowel 20 PCS (Extra 1)	Long Screw 16 PCS (Extra 1)
 Magnet 2 PCS	 $\phi 3 \times 14\text{mm}$ Round Head Screw 4 PCS	 Shelf Holder 8 PCS (Extra 1)	 $\phi 3 \times 14\text{mm}$ Screw 28 PCS (Extra 1)	 Handle 2 PCS
 Knob 2 PCS	 $\phi 5/32 \times 22\text{mm}$ Round Head Bolt 6 PCS	 Allen Wrench 1 PC	 Safety Strap Kit 1 SET	

ADDITIONAL TOOLS (Not Provided)

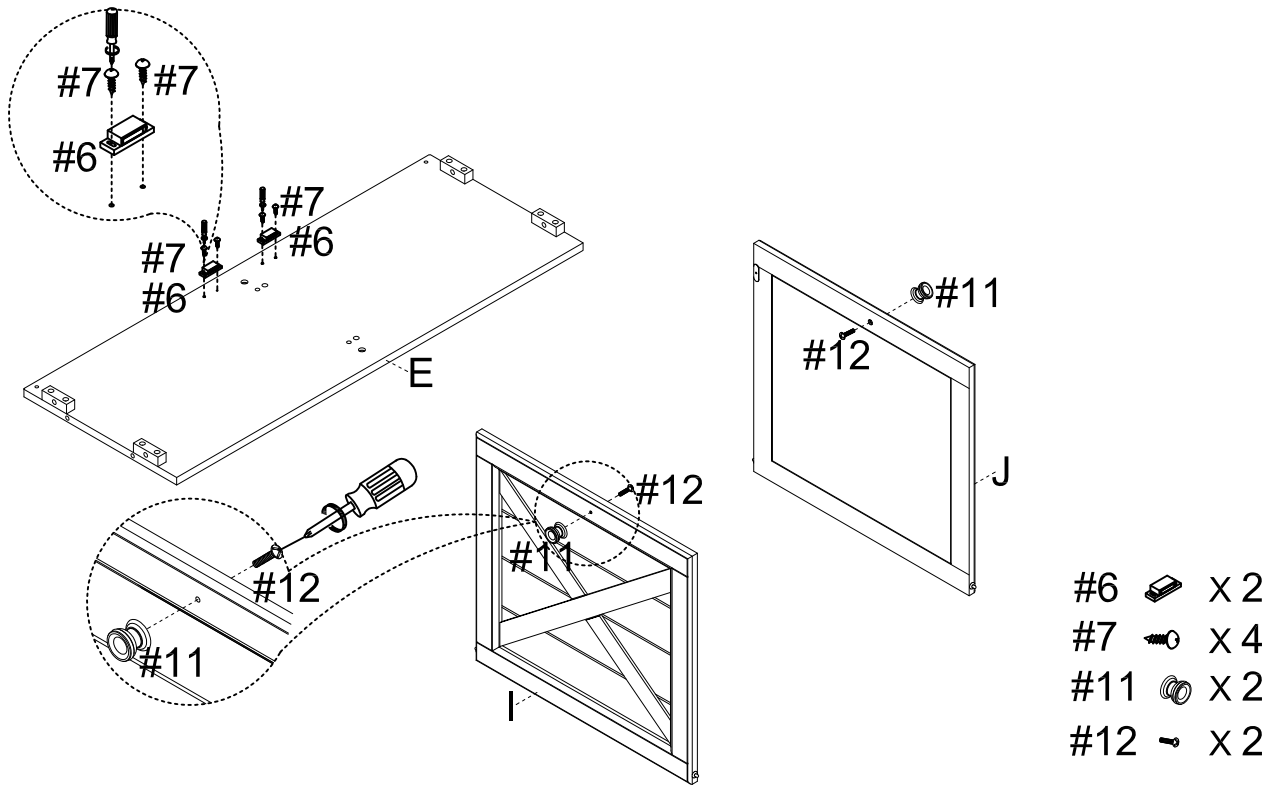
Note: It is not recommended to use power tools during assembly.



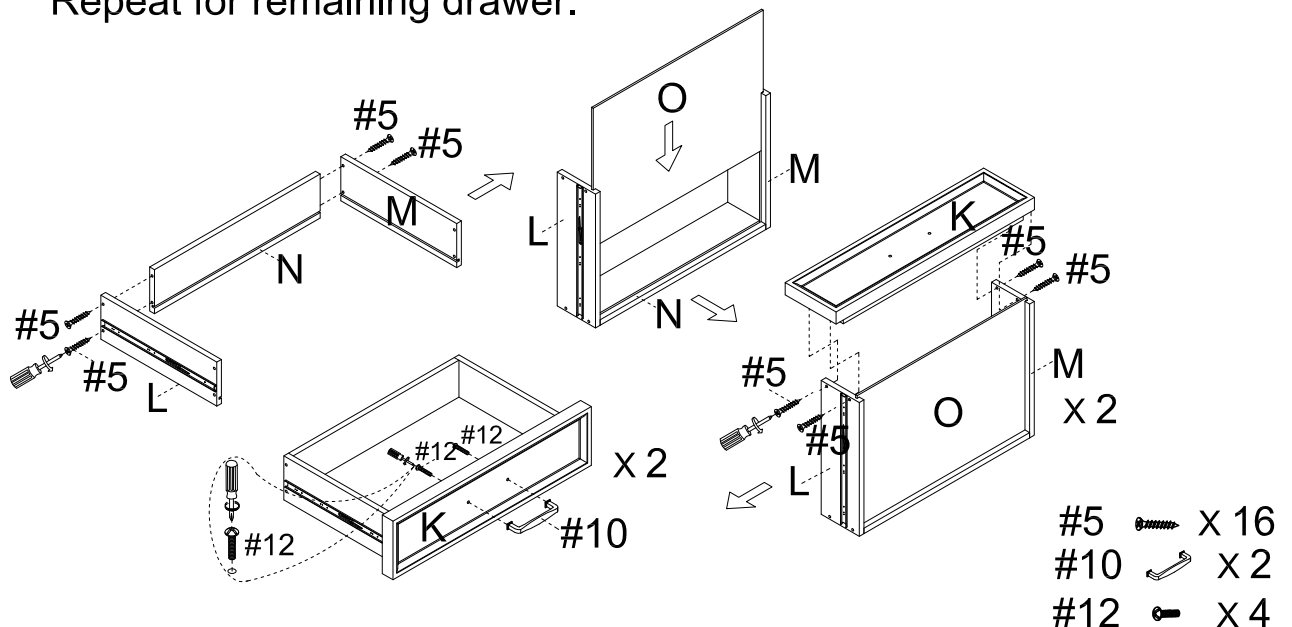
Phillips Head Screwdriver

Note: Wood dowels are intended for alignment. Additional clearance between wood dowel and pre-drilled hole is intentional for ease of assembly.

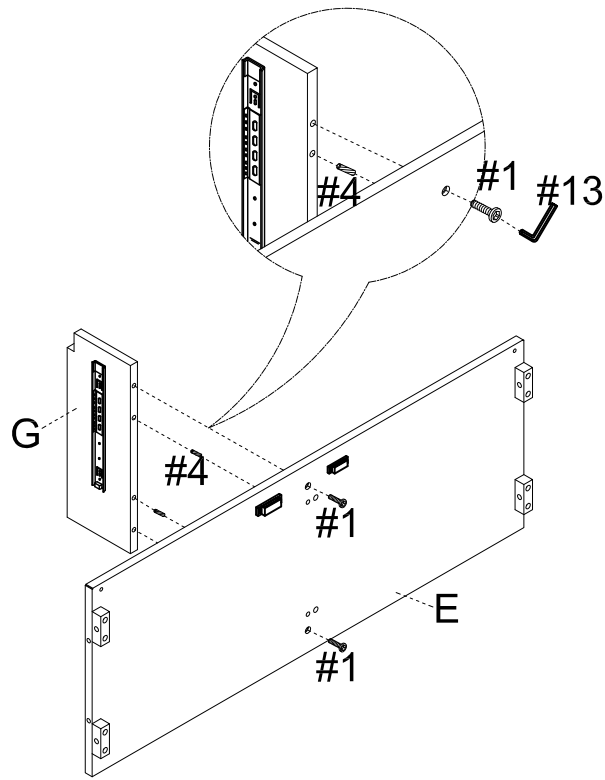
Step 1. Attach knobs (part #11) to door panels (parts I & J) using round head bolts (part #12) and phillips head screwdriver. Attach magnets (part #6) to shelf panel (part E) using round head screws (part #7) and phillips head screwdriver.






Step 2. Attach drawer panels (parts L & M) to drawer back panel (part N) using long screws (part #5) and phillips head screwdriver. Slide drawer bottom panel (part O) into the grooves of assembled unit (parts L, M & N). Attach drawer front panel (part K) to assembled unit (parts L, M & O) using long screws (part #5) and phillips head screwdriver. Attach handle (part #10) to drawer front panel (part K) using round head bolts (part #12) and phillips head screwdriver. Repeat for remaining drawer.

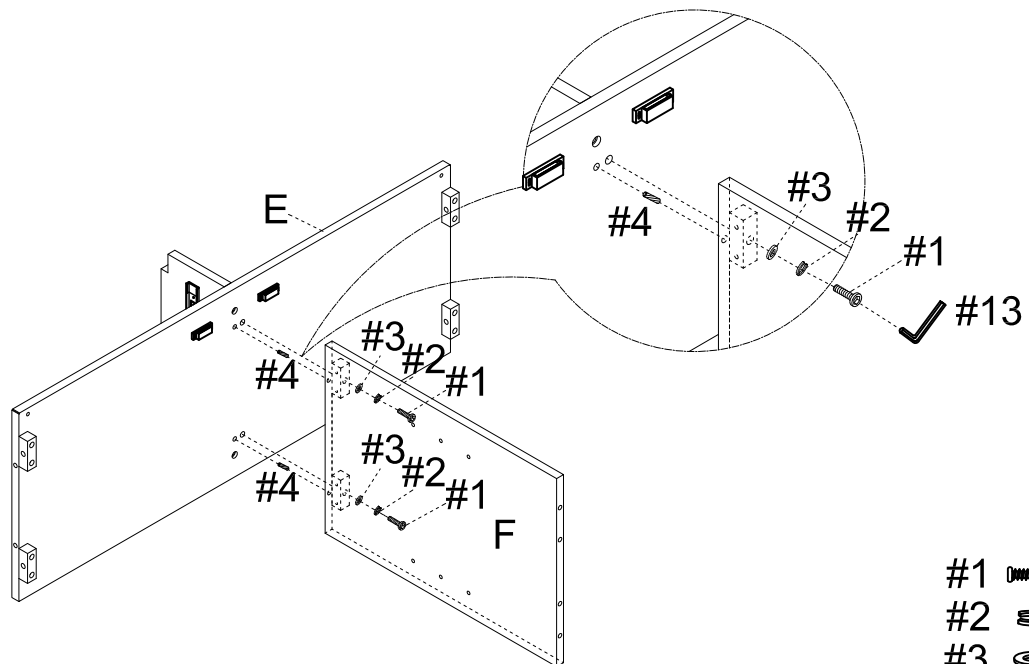







Step 3. Attach upper middle panel (part G) to shelf panel (part E) using wood dowels (part #4), bolts (part #1) and allen wrench (part #13).



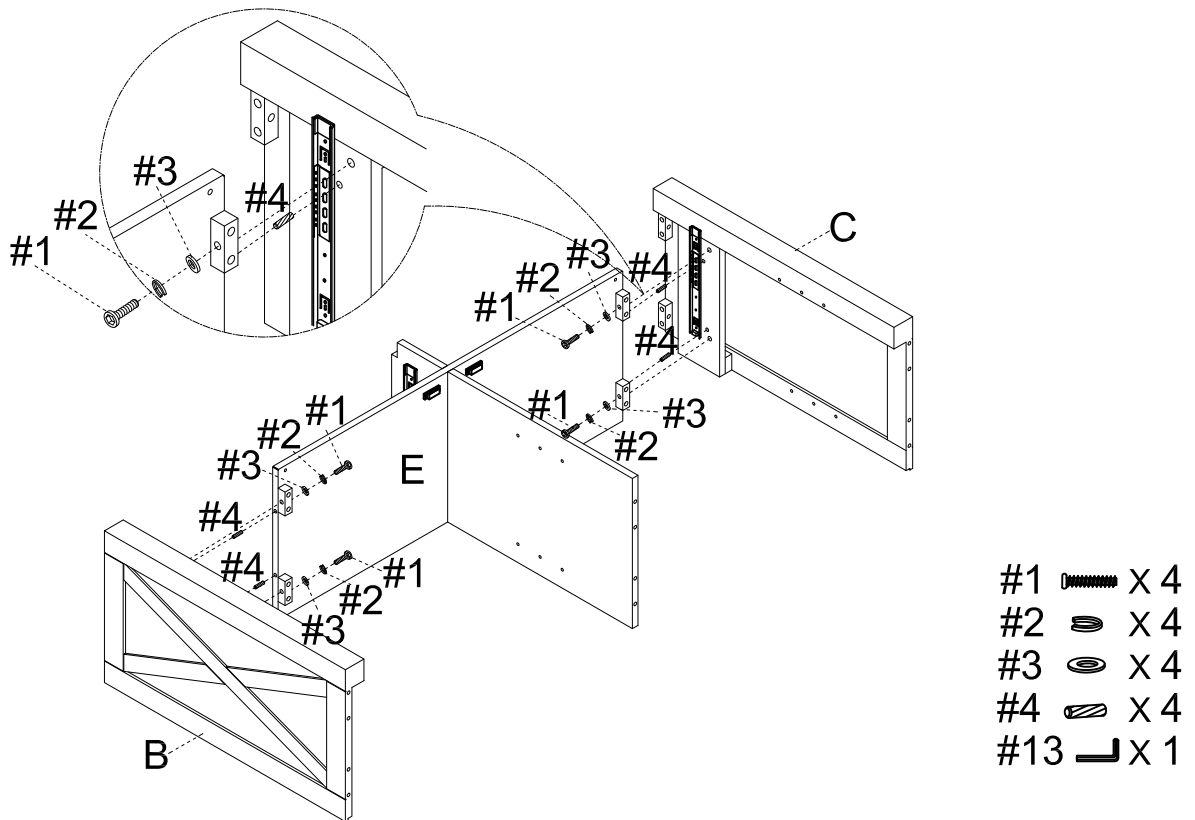
- #1  X 2
- #4  X 2
- #13  X 1

Step 4. Attach middle panel (part F) to shelf panel (part E) using wood dowels (part #4), bolts (part #1), spring washers (part #2), flat washers (part #3) and allen wrench (part #13).

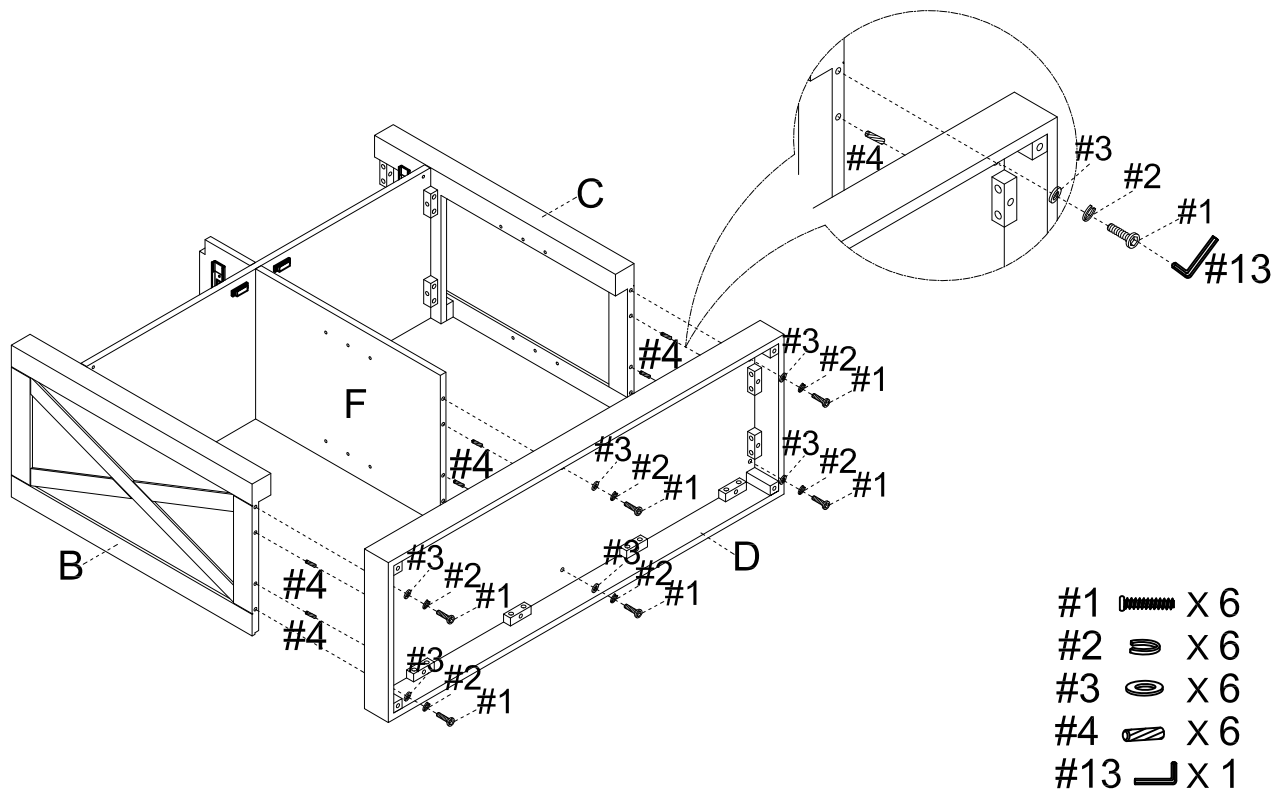


- #1  X 2
- #2  X 2
- #3  X 2
- #4  X 2
- #13  X 1

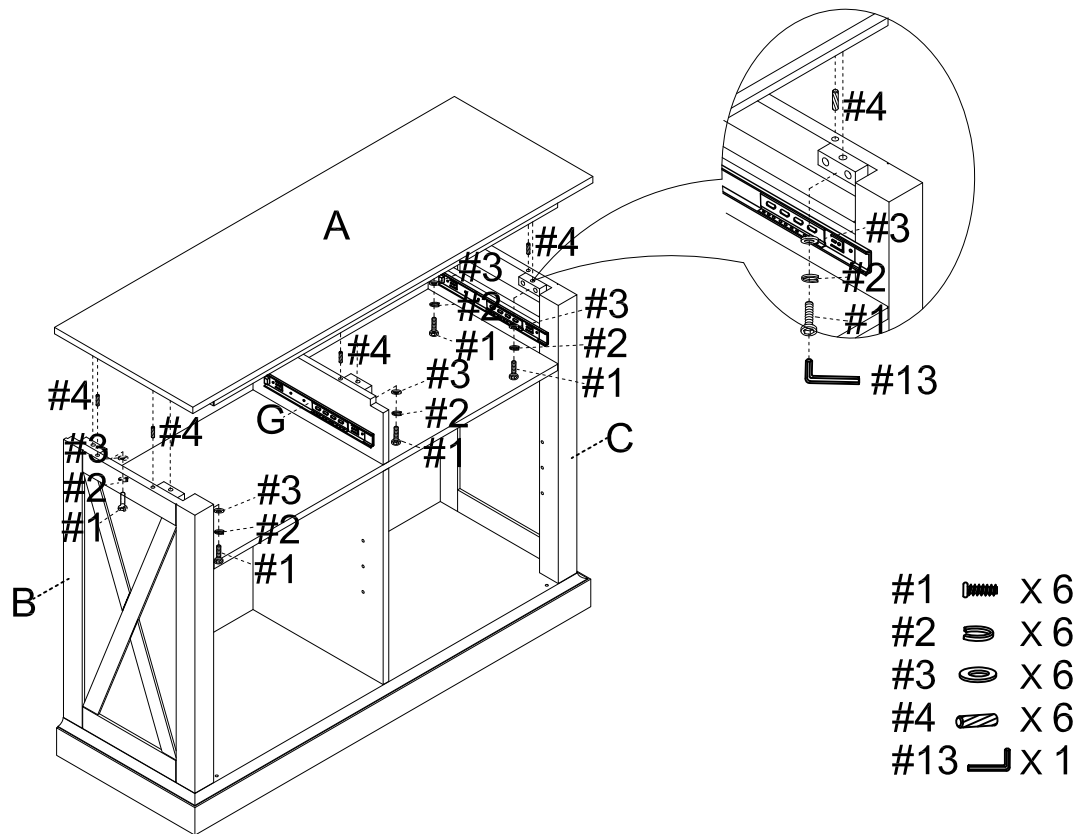
Step 5. Attach panels (parts B & C) to shelf panel (part E) using wood dowels (part #4), bolts (part #1), spring washers (part #2), flat washers (part #3) and allen wrench (part #13).



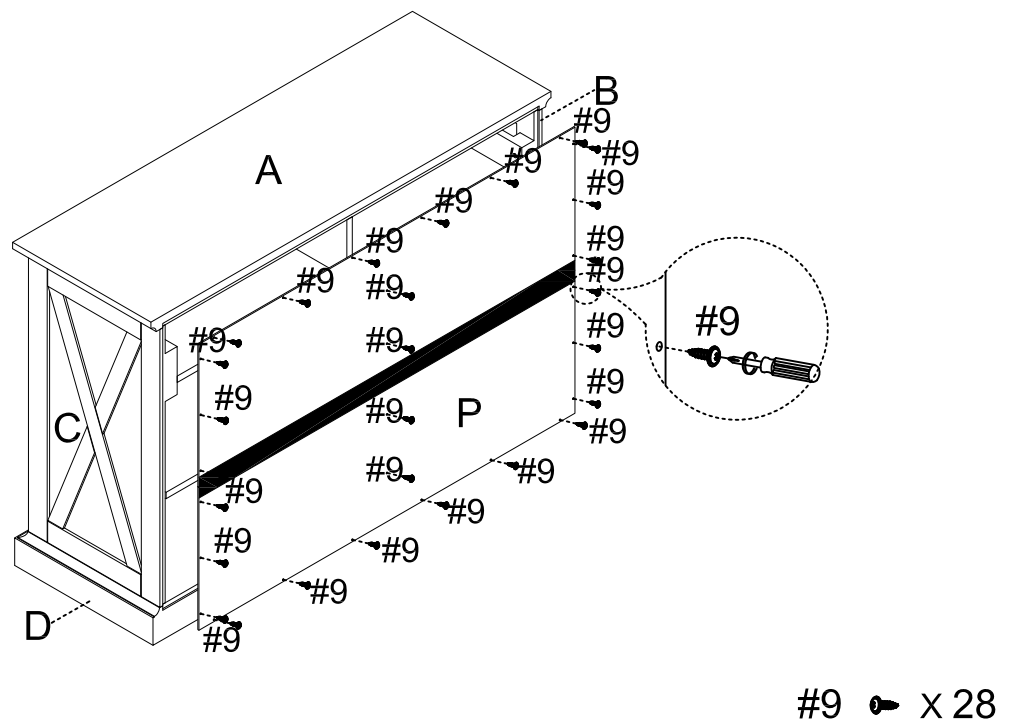
Step 6. Attach bottom panel (part D) to assembled unit (parts B, C & F) using wood dowels (part #4), bolts (part #1), spring washers (part #2), flat washers (part #3) and allen wrench (part #13).



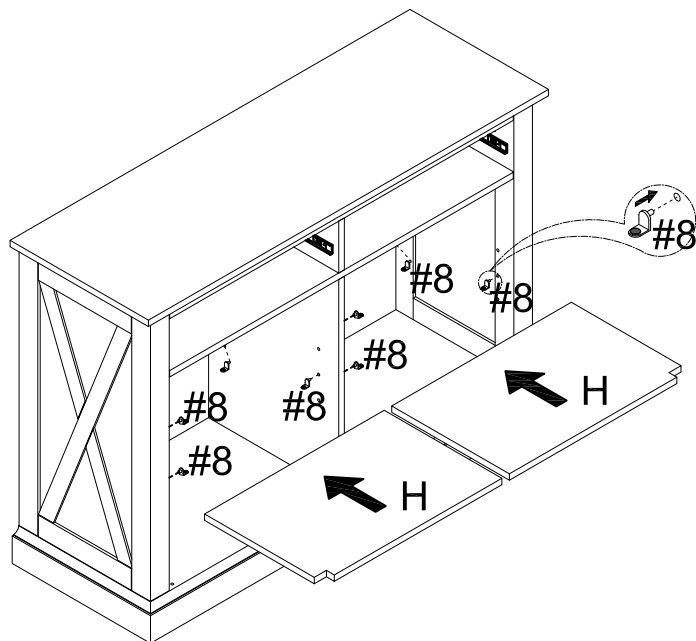
Step 7. Carefully turn unit upright. Attach top panel (part A) to assembled unit (parts B, C & G) using wood dowels (part #4), bolts (part #1), spring washers (part #2), flat washers (part #3) and allen wrench (part #13).



Step 8. Attach back panel (part P) to assembled unit (parts A, B, C & D) using screws (part #9) and phillips head screwdriver.

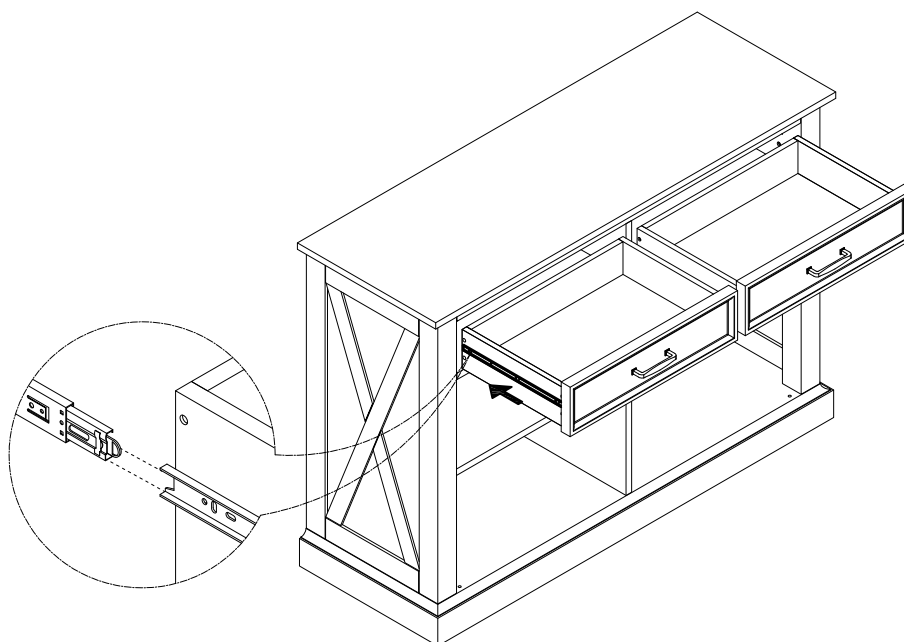


Step 9. Place shelf holders (part #8) into desired position and slide adjustable shelves (part H) into place.



#8  x 8

Step 10. Slide assembled drawers into place.

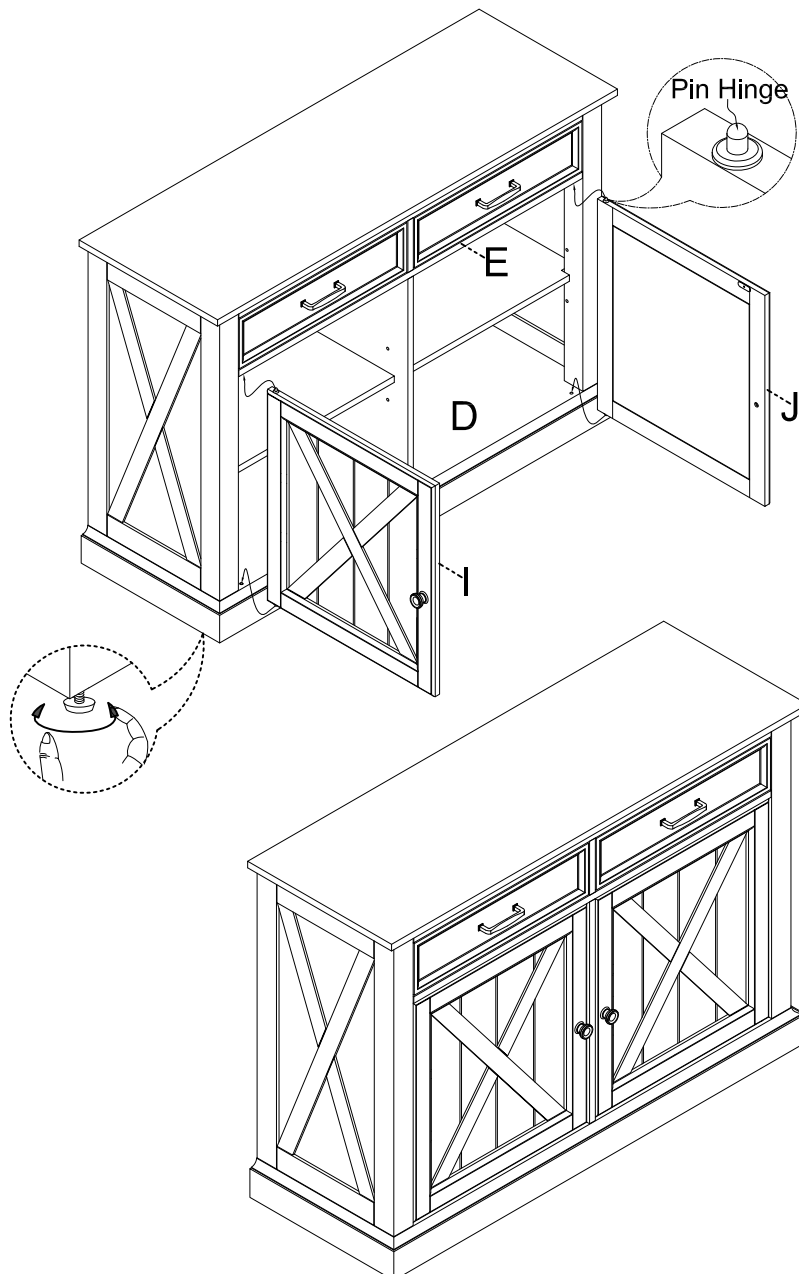








Step 11. Attach door panels (parts I & J) by placing bottom pin hinge (pre-installed in door) in the pre-drilled hole of bottom panel (part D). Then depress the top spring-loaded pin hinge so it can be placed in the pre-drilled hole of shelf panel (part E).

Note: Be sure top and bottom pin hinges are fully extended to secure doors in place.

Note: It is important to adjust levelers once fully assembled and upright. Extend adjustable leveler until it's firmly in contact with the floor. If relocating, adjust leveler as needed until it's firmly in contact with the floor in new location.

Important: Safety strap kit (part #14) must be installed to prevent tipping, damage and/or injury.



#14	A	B	C	D	E
					
Safety Strap Kit 1 SET	Wall Anchor 1 PC	Bracket 2 PCS	5/8"x φ3xD8 Short Screw 1 PC	1-1/2"x φ4xD8 Long Screw 1 PC	Safety Wall Strap 1 PC

SAFETY WALL STRAP INSTALLATION

Note: It is highly recommended to install this safety strap kit to prevent tipping, damage and/or injury.

1. Insert short screw (C) and safety wall strap (E) through bracket (B) and attach to top panel (part A) using phillips head screwdriver.
2. Drill a 1 1/32" hole where you want to secure the unit. The drilled hole will be at the same height as the hole in top panel (part A) where bracket (B) is attached. Tap wall anchor (A) into the hole.
3. Insert long screw (D) and safety wall strap (E) through bracket (B) into wall anchor (A) using phillips head screwdriver.

Note: This item is not intended for clothing storage use.

