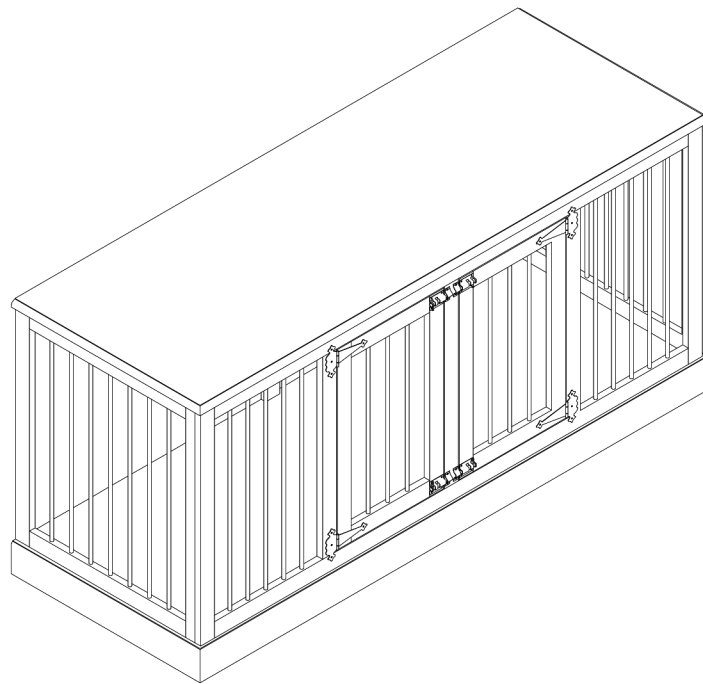
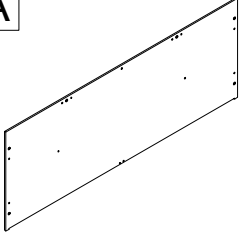
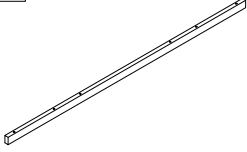
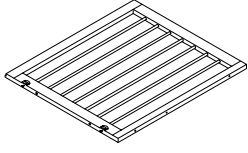
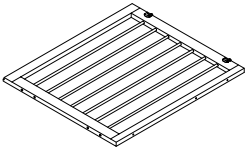
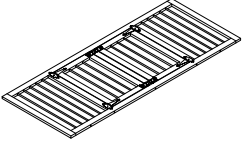
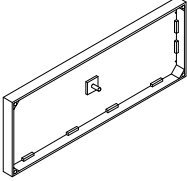
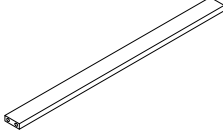
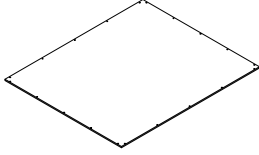


CROSLEY
FURNITURE

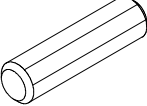
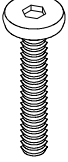




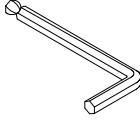

Medium Credenza Pet Crate
CF4501



PART LIST

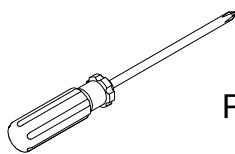
				
<p>Top Panel 1 PC</p>	<p>Support Bar 1 PC</p>	<p>Left Frame 1 PC</p>	<p>Right Frame 1 PC</p>	<p>Door Frame 1 PC</p>
				
<p>Bottom Panel 1 PC</p>	<p>Back Rail 1 PC</p>	<p>Back Panel 2 PCS</p>		

HARDWARE LIST

 <p>Ø8 x 30mm</p>	 <p>Ø1/4" x 38mm</p>			
<p>Wood Dowel 24 PCS (Extra 2)</p>	<p>Bolt 10 PCS (Extra 1)</p>	<p>Spring Washer 10 PCS (Extra 1)</p>	<p>Flat Washer 10 PCS (Extra 1)</p>	<p>Screw 39 PCS (Extra 1)</p>
 <p>1" x Ø3.5 x D8mm</p>				
<p>Flat Head Screw 4 PCS</p>	<p>Allen Wrench 1 PC</p>	<p>Safety Strap Kit 1 SET</p>		

ADDITIONAL TOOLS (Not Provided)

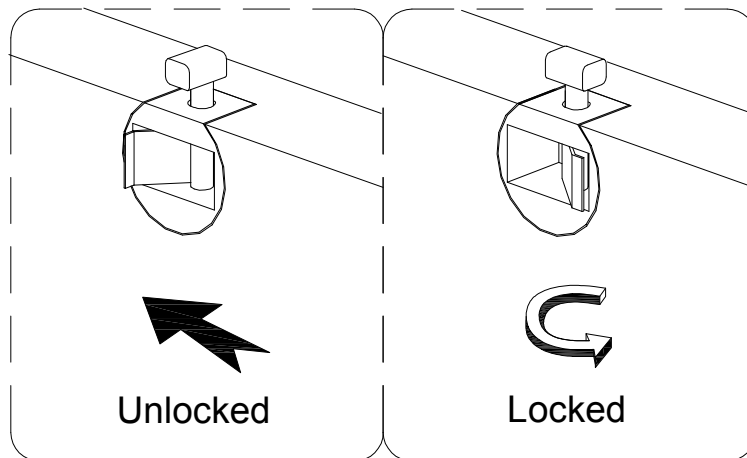
Note: It is not recommended to use power tools during assembly.



Phillips Head Screwdriver

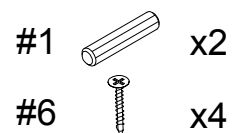
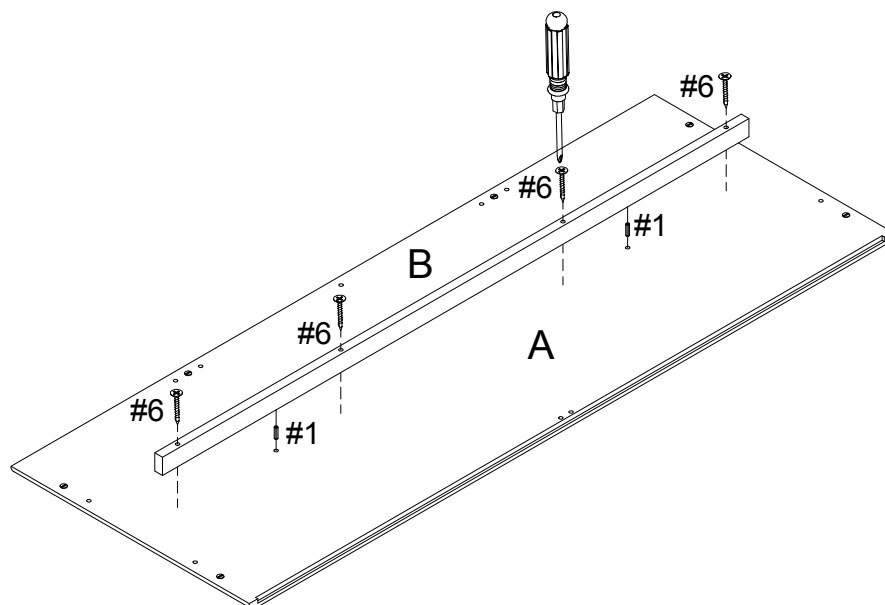
Note: Wood dowels are intended for alignment. Additional clearance between wood dowel and pre-drilled hole is intentional for ease of assembly.

Please do not use tools to assemble this unit unless specifically indicated.

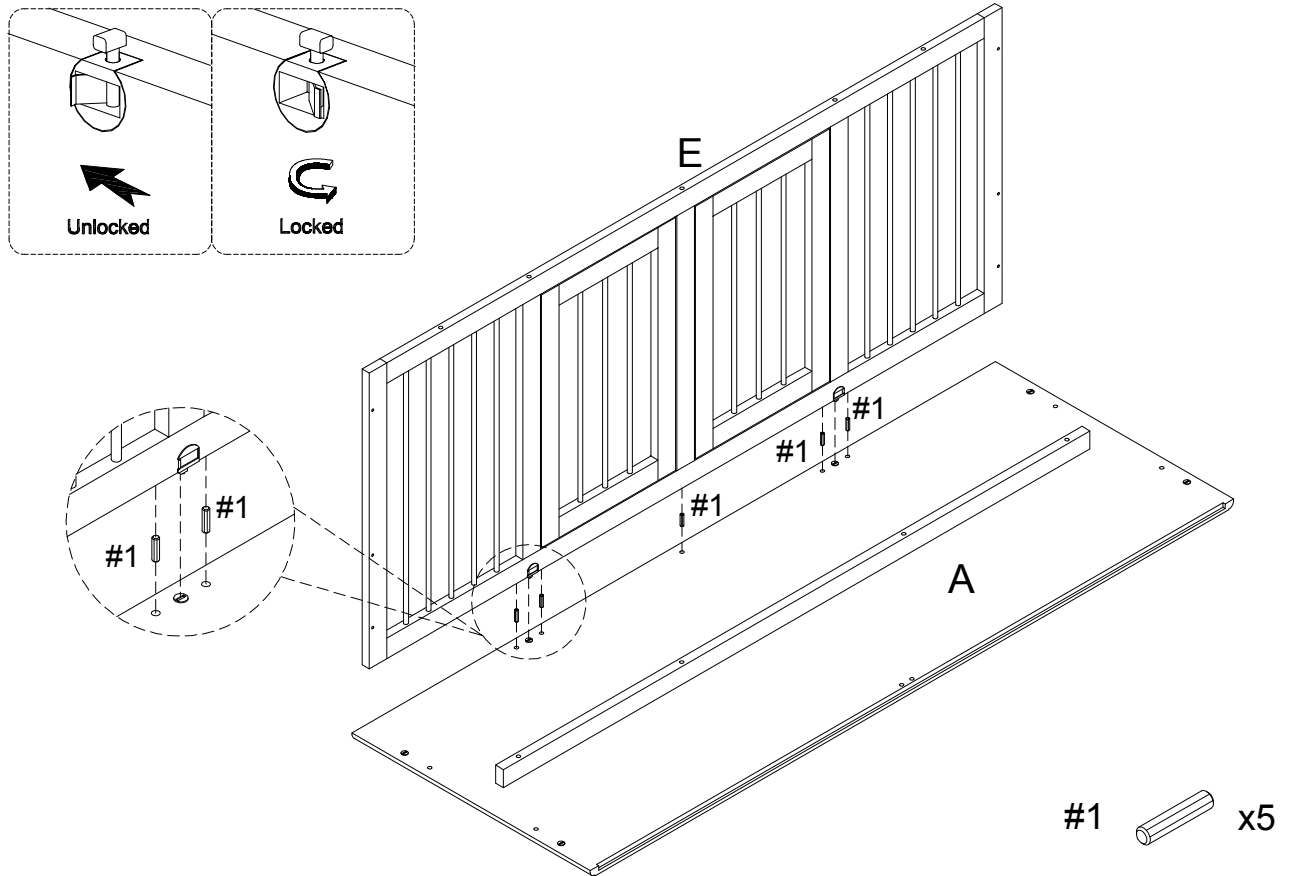


Reference the images above any time the instructions state "lock the hardware".
Note: Be sure to check all hardware is locked when completed.

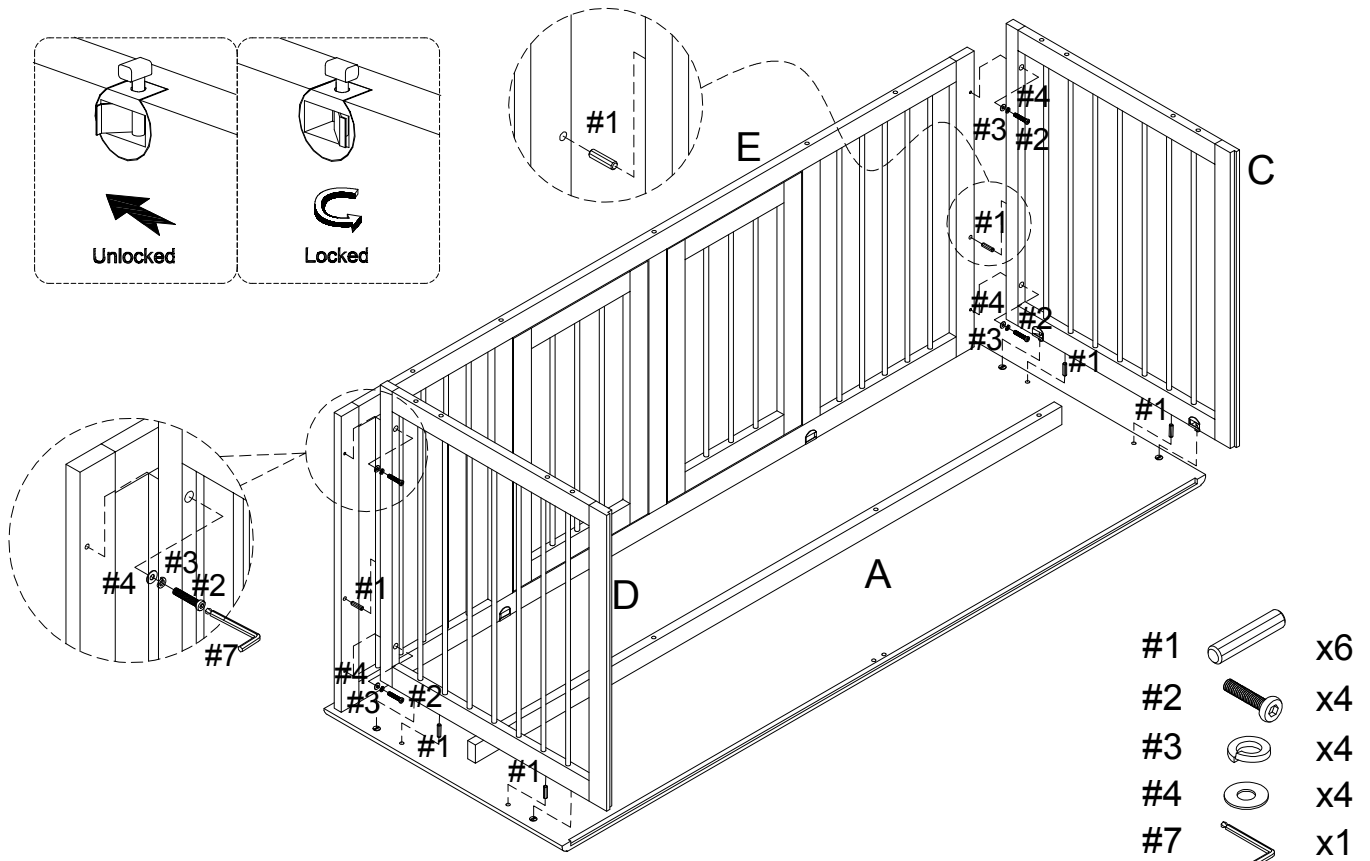
Step 1. Lay top panel (part A) upside down on a flat, soft surface, such as carpet.
Attach support bar (part B) to top panel (part A) using wood dowels (part #1),
flat head screws (part #6) and phillips head screwdriver.



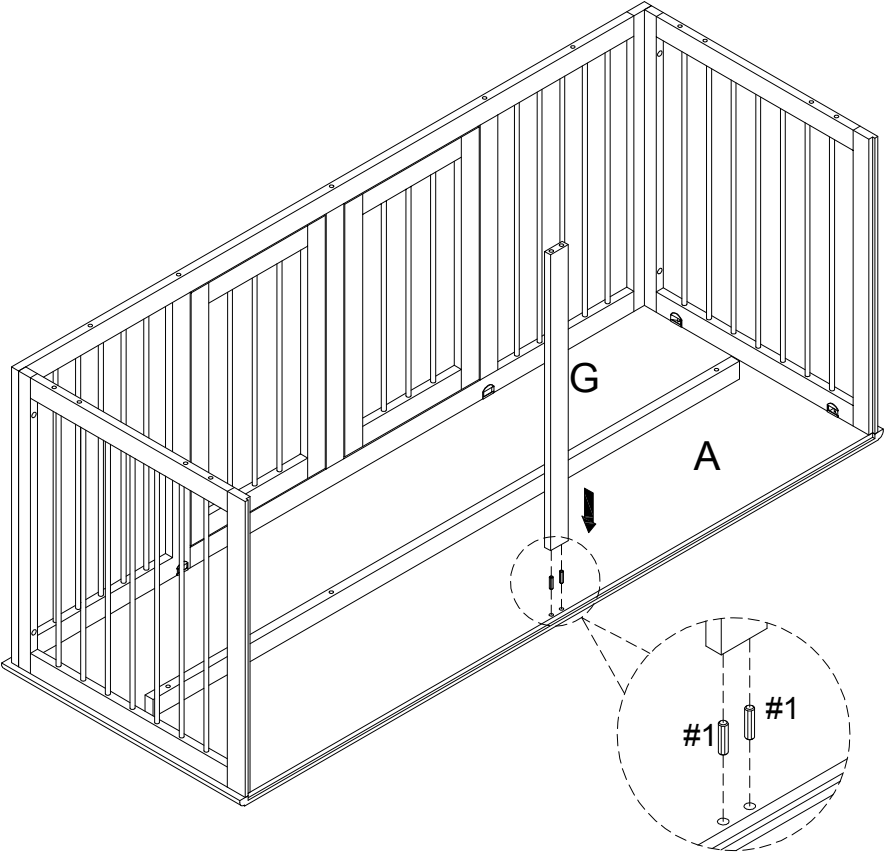
Step 2. Attach door frame (part E) to top panel (part A) using wood dowels (part #1) and lock the hardware.

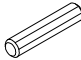


Step 3. Attach frames (parts C & D) to assembled unit (parts A & E) using wood dowels (part #1), spring washers (part #3), flat washers (part #4), bolts (part #2) and allen wrench (part #7).



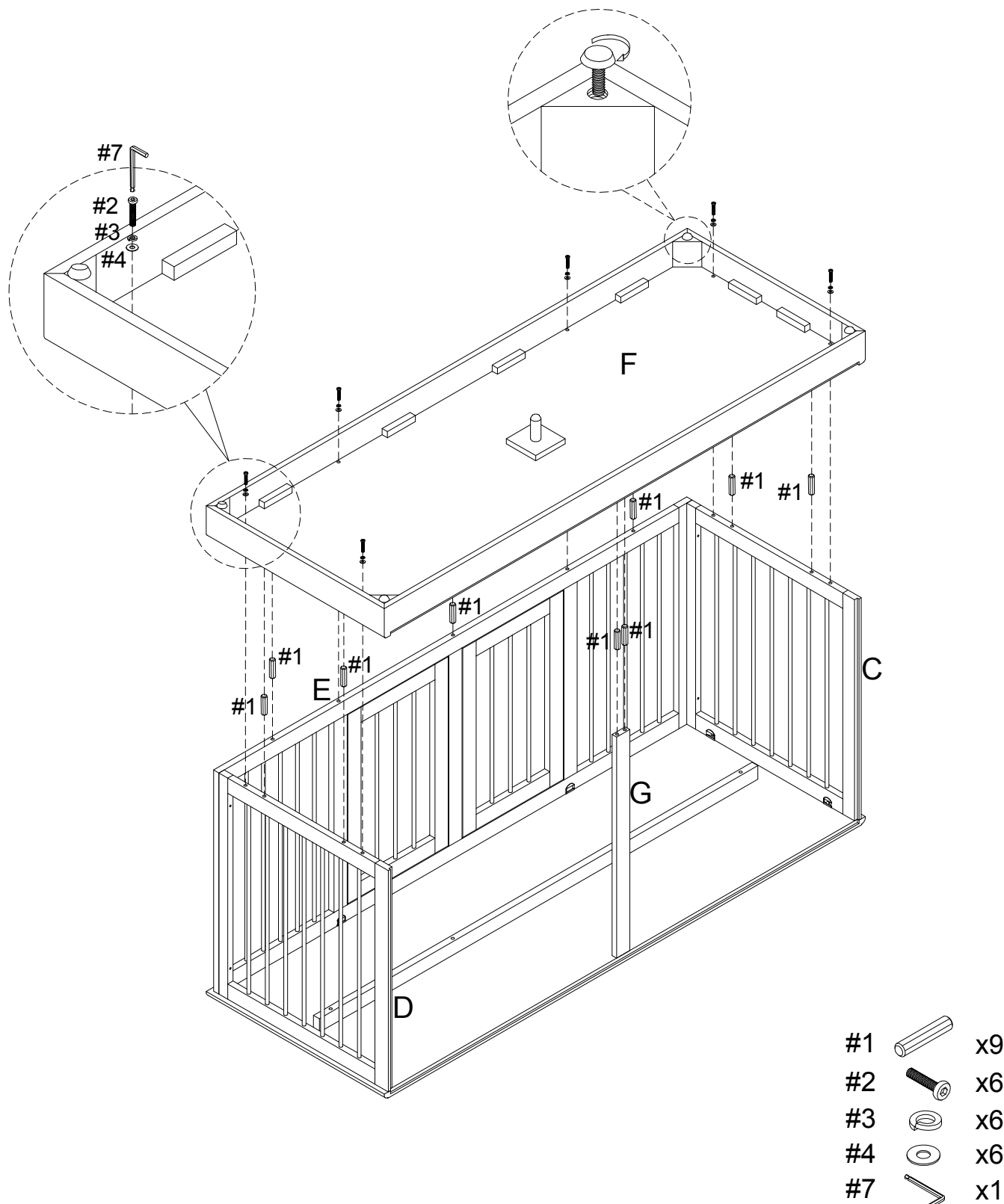
Step 4. Attach back rail (part G) to top panel (part A) using wood dowels (part #1).



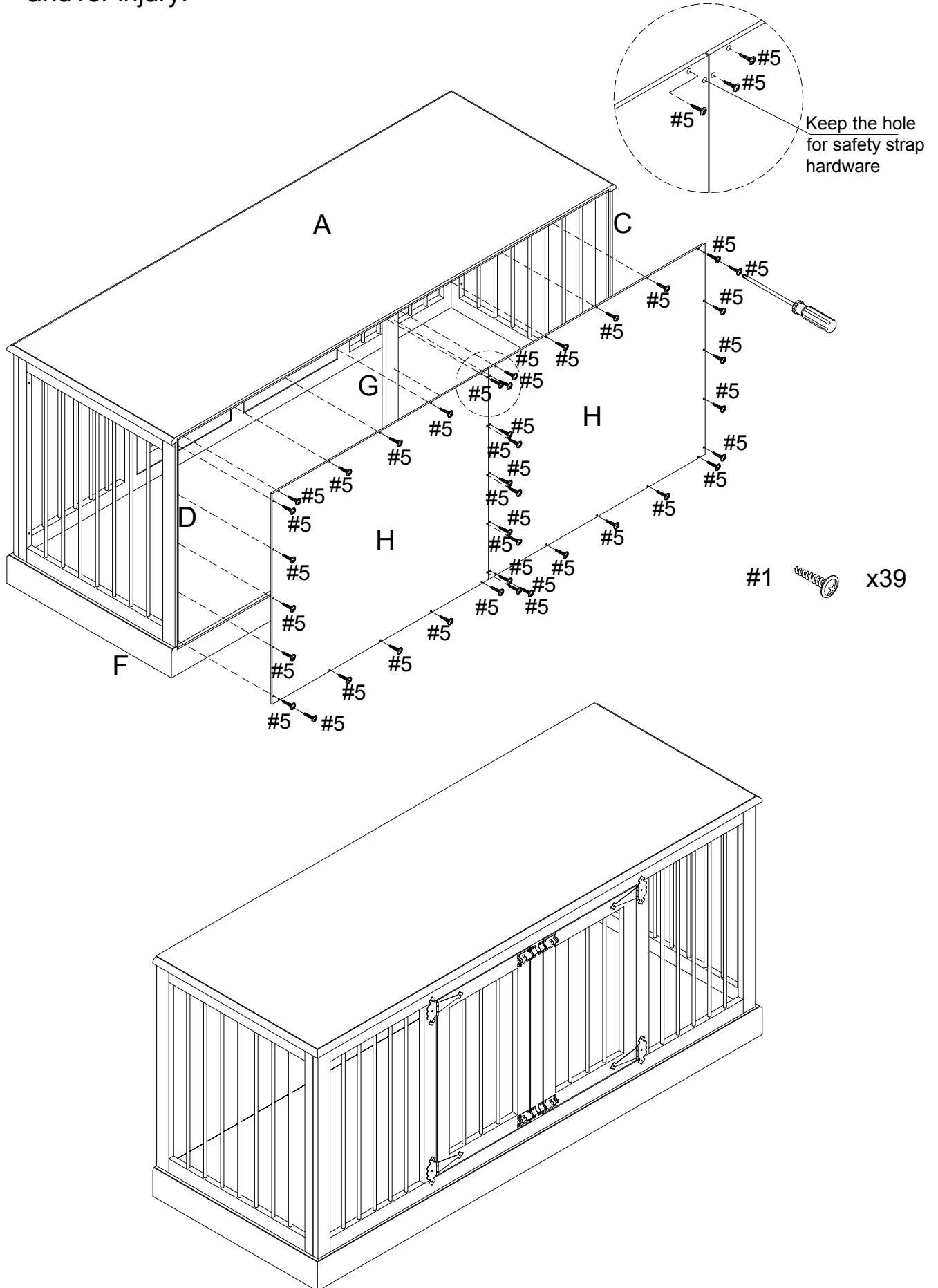
#1  x2


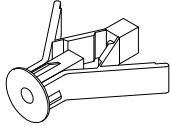


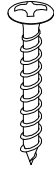
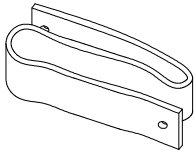
Step 5. Attach bottom panel (part F) to assembled unit (parts C, D, E & G) using wood dowels (part #1), spring washers (part #3), flat washers (part #4), bolts (part #2) and allen wrench (part #7).

Note: It is important to adjust levelers once fully assembled and upright. Extend adjustable leveler until it's firmly in contact with the floor. If relocating, adjust leveler as needed until it's firmly in contact with the floor in new location.



Step 6. Carefully turn unit upright. Attach back panels (part H) to assembled unit (parts A, C, D, F & G) using screws (part #5) and phillips head screwdriver. Important: Safety strap kit (part #8) must be installed to preventing tipping, damage and /or injury.



#8	A	B	C	D	E
			 D8*3/4"	 D8*1-1/2"	
Safety Strap Kit 1 SET	Wall Anchor 1 PC	Washer 2 PCS	Short Screw 1 PC	Long Screw 1 PC	Safety Wall Strap 1 PC

SAFETY WALL STRAP INSTALLATION

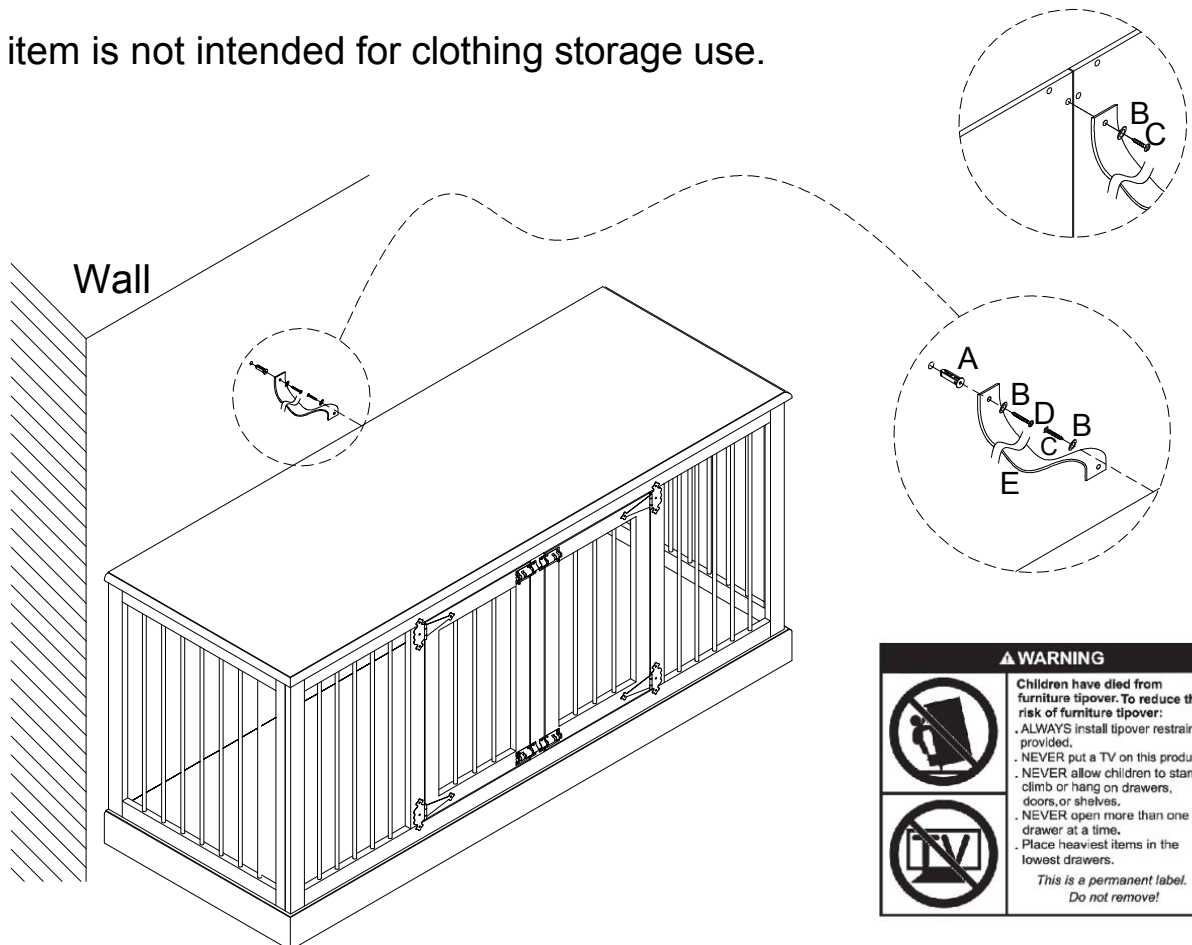
Note: It is highly recommended to install this safety strap kit to prevent tipping, damage and/or injury.

1. Insert short screw (C) through washer (B) and safety wall strap (E) and attach to back rail (part G) using phillips head screwdriver.

2. Drill a 11/32" hole where you want to secure the unit. The drilled hole will be at the same height as the hole in back rail (part G) where the safety wall strap (E) is attached. Tap wall anchor (A) into the hole.

3. Insert long screw (D) through washer (B) and safety wall strap (E) into wall anchor (A) using phillips head screwdriver.

Note: This item is not intended for clothing storage use.



⚠ WARNING	
	Children have died from furniture tipover. To reduce the risk of furniture tipover:
	• ALWAYS install tipover restraint provided.
	• NEVER put a TV on this product.
	• NEVER allow children to stand, climb or hang on drawers, doors, or shelves.
	• NEVER open more than one drawer at a time.
	• Place heaviest items in the lowest drawers.
	<i>This is a permanent label. Do not remove!</i>