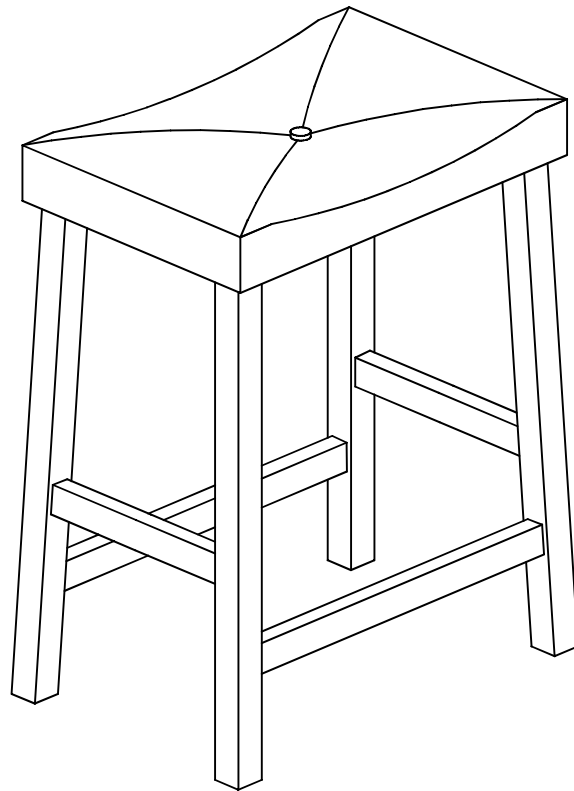


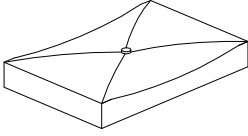
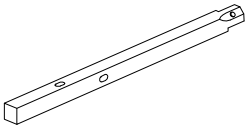
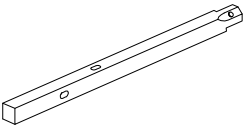
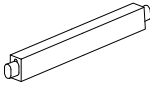
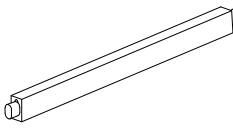


## Upholstered Saddle Seat Bar Stool


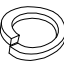
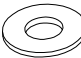


CF500224/CF500229



## PART LIST

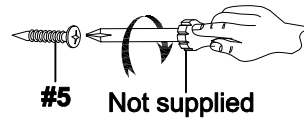
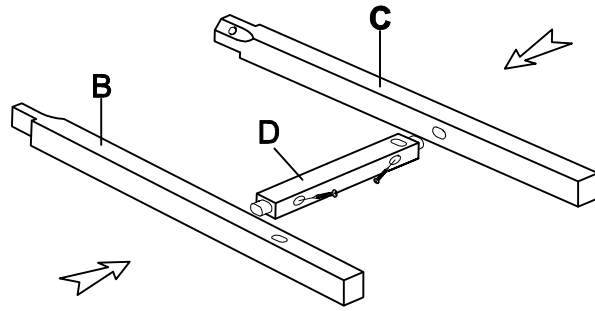
| A   | B   | C   | D  | E   |
|---|---|---|--|---|
|  |  |  |  |  |
| <p>Seat Frame<br/>2 PC</p>  | <p>Left Leg<br/>4 PCS</p>   | <p>Right Leg<br/>4 PCS</p>  | <p>Short Side<br/>Stretcher<br/>4 PCS</p>  | <p>Long Front<br/>Stretcher<br/>4 PCS</p>   |

## HARDWARE LIST

| #1  | #2  | #3  | #4   | #5  |
|---|---|---|--|---|
|  |  |  |  |  |
| <p>Bolt 1/4" x 45mm<br/>8 PCS (Extra 1)</p>                                       | <p>Spring Washer<br/>8 PCS (Extra 1)</p>  | <p>Flat Washer<br/>8 PCS (Extra 1)</p>  | <p>Allen Wrench<br/>1 PC</p>   | <p>Screw Ø4 x 38mm<br/>16 PCS (Extra 1)</p>   |

## STEP 1. CHAIR LEGS ASSEMBLY

- 1A. Insert short side Stretcher (D) aligned on the upper hole on the side of legs (B).
- 1B. Align another leg (C) to the stretcher.
- 1C. Insert wood screws (#5) into predrilled holes at both ends of the stretcher.
- 1D. Tighten wood screws (#5) with Phillips head screwdriver (not supplied).
- 1E. Repeat same step for the other side of legs.

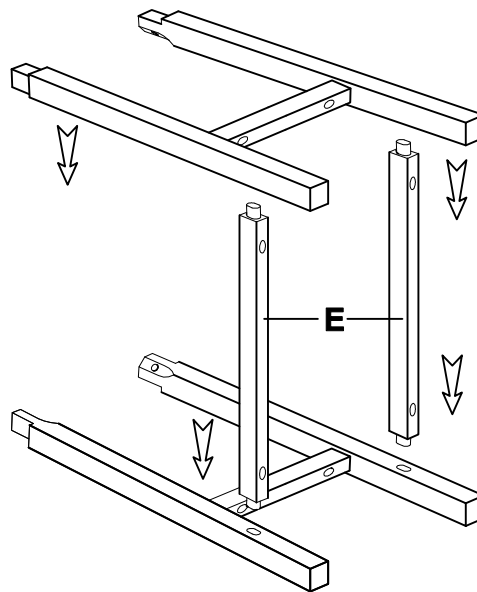


#5 X4

#5 Not supplied

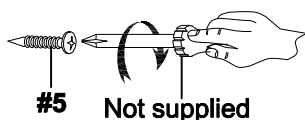
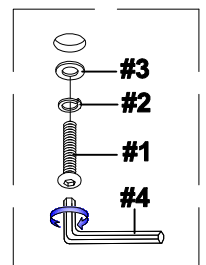
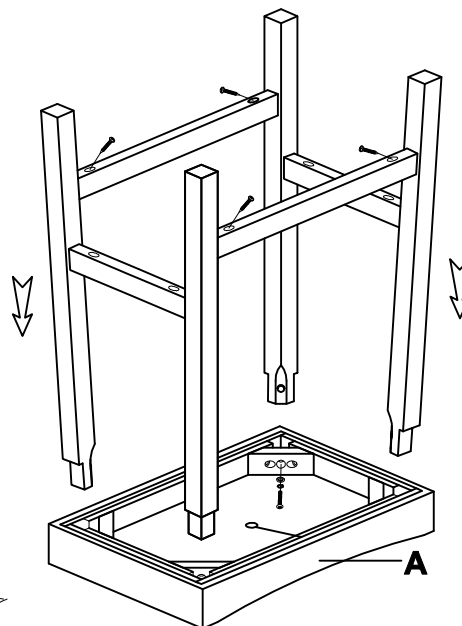
## STEP 2. FRONT STRETCHER ASSEMBLY

- 2A. Insert long front stretcher (E) dowels with the lower holes into one of the completed sides.
- 2B. Align another leg to the stretcher.
- 2C. Attach remaining side to the other end of the long front stretchers (E) aligned with the lower holes.



## STEP 3. CUSHION SEAT ASSEMBLY

- 3A. Place seat cushion (A) upside down on a clean cloth.
- 3B. Slowly insert legs into the bottom frame of seat cushion.
- 3C. Insert bolt (#1) with spring washer (#2) and flat washer (#3) through seat frame into legs.
- 3D. Turn bolts clockwise with allen wrench (#4) until tight.
- 3E. Insert wood screws (#5) into both ends of long front stretchers (E) and tighten with Phillips head screwdriver (not supplied).



#5 Not supplied

#1 X4  
#2 X4  
#3 X4  
#4 X1  
#5 X4

**STEP 4. Repeat step 1-3 to assemble remaining stool**

