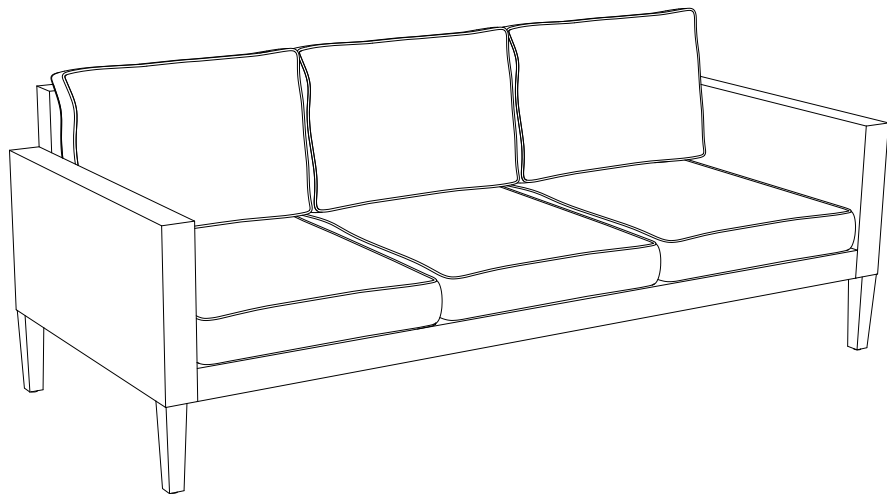
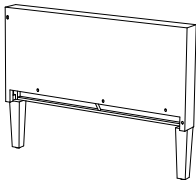
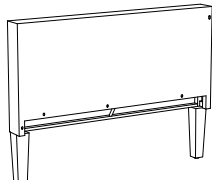




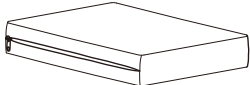





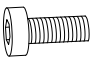


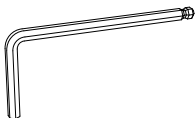
Outdoor Wicker Sofa  
CO6220



# PART LIST

				
<p>Right Arm Panel 1 PC</p>	<p>Left Arm Panel 1 PC</p>	<p>Back Panel 1 PC</p>	<p>Seat Panel 1 PC</p>	<p>Seat Cushion Cover * 3 PCS</p>
			<p>*Please note cushion covers will ship separately.</p>	
<p>Seat Cushion Core 3 PCS</p>	<p>Back Cushion Cover * 3 PCS</p>	<p>Back Cushion Core 3 PCS</p>		

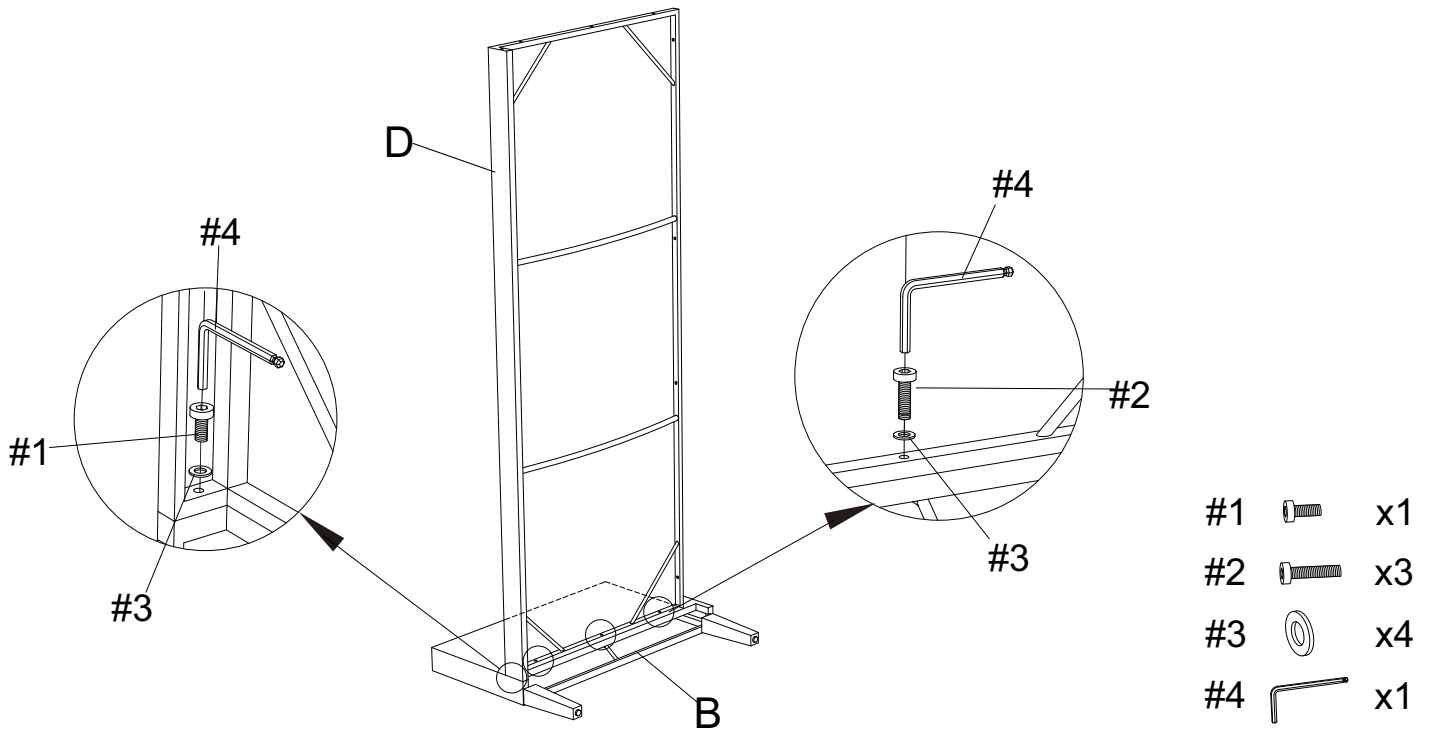
# HARDWARE LIST

			
<p>M6*25mm  Short Bolt 2 PCS (Extra 1)</p>	<p>M6*40mm  Long Bolt 10 PCS (Extra 1)</p>	<p>M6mm  Flat Washer 12 PCS (Extra 1)</p>	<p>M6mm  Allen Wrench 1 PC</p>

Step 1. Lay left arm panel (part B) down on a soft flat surface, such as carpet, as shown below.

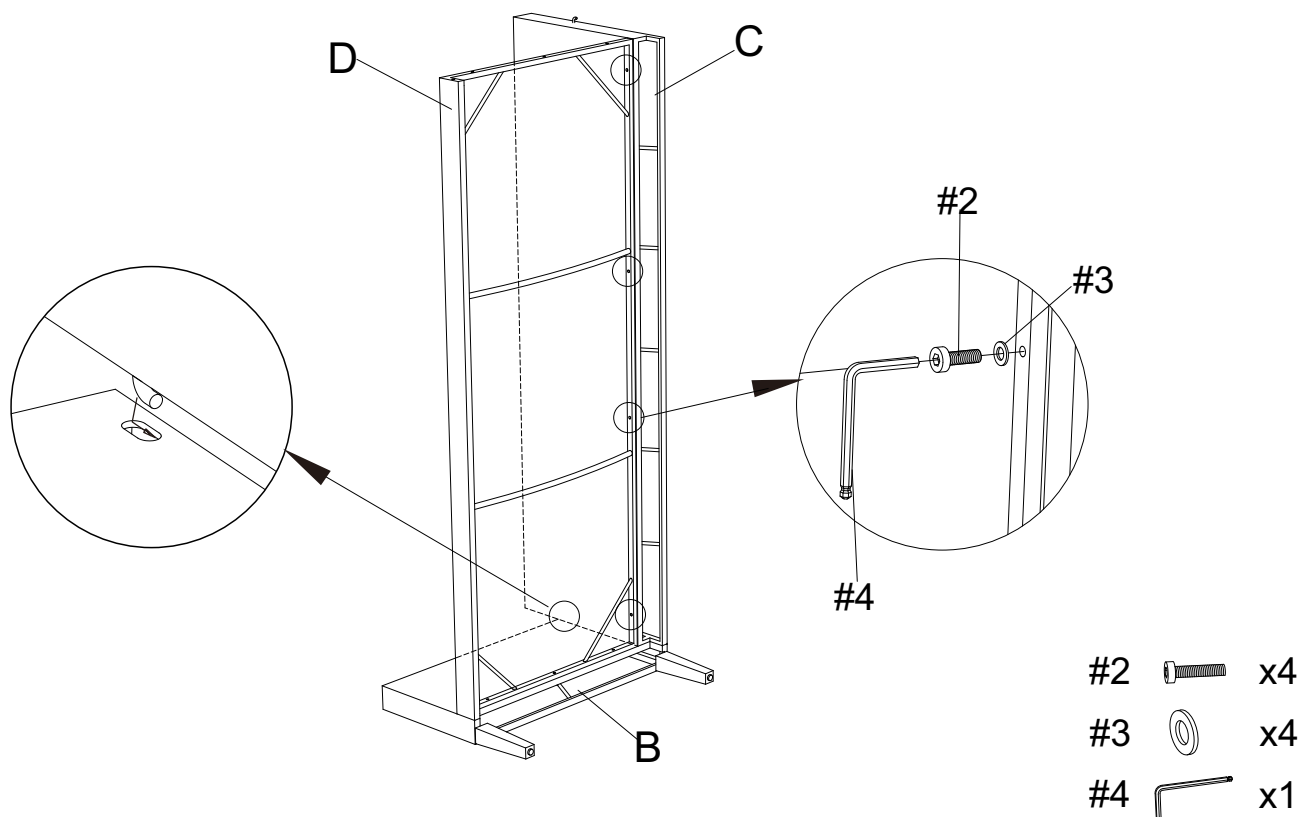
Attach seat panel (part D) to left arm panel (part B) using short bolt (part #1), long bolts (part #2), flat washers (part #3) and allen wrench (part #4).

NOTE: Please do not fully tighten bolts until unit is fully assembled.



Step 2. Attach back panel (part C) to left arm panel (part B) and seat panel (part D) using long bolts (part #2), flat washers (part #3) and allen wrench (part #4).

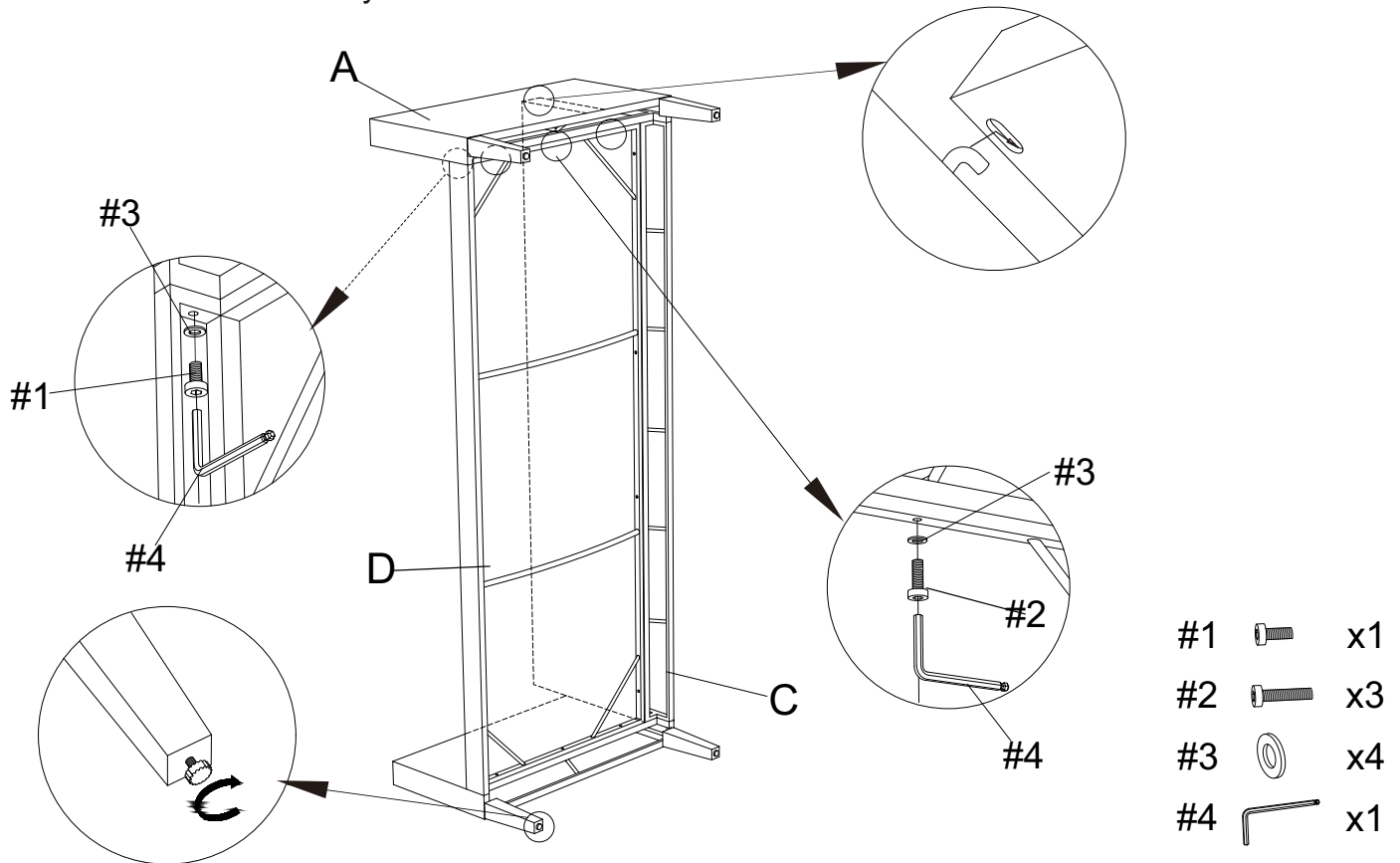
NOTE: Please do not fully tighten bolts until unit is fully assembled.



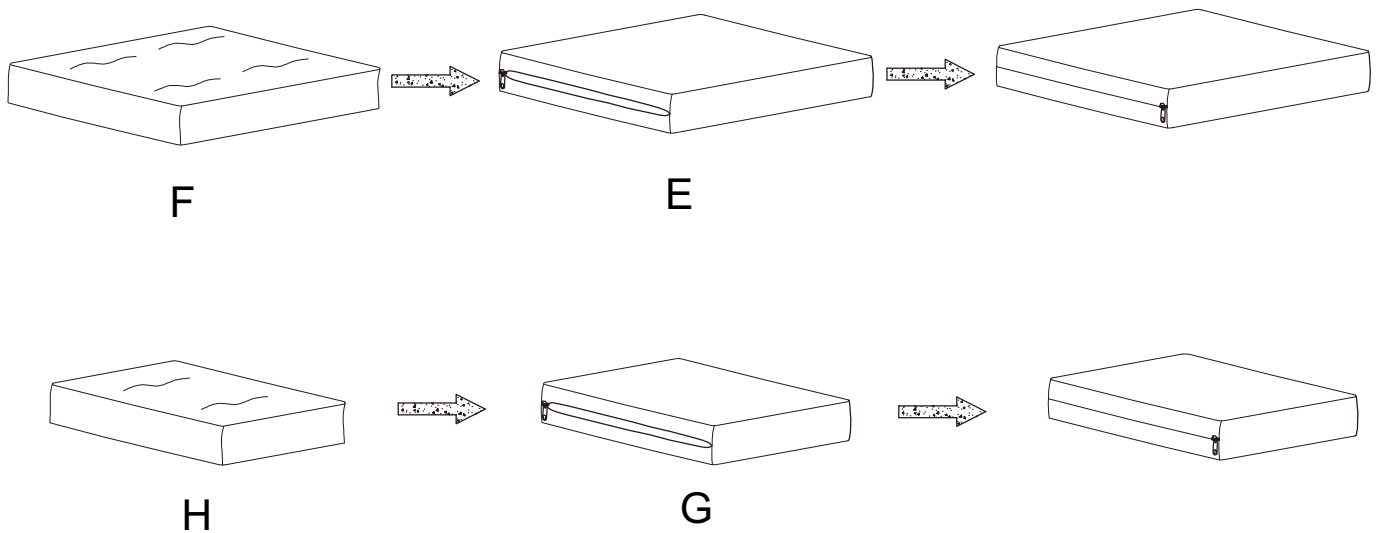
Step 3. Attach right arm panel (part A) to seat panel (part D) and back panel (part C) using short bolt (part #1), long bolts (part #2), flat washers (part #3) and allen wrench (part #4).

NOTE: Please fully tighten all bolts at this time.

It is important to adjust levelers once fully assembled and upright. Extend adjustable leveler until it's firmly in contact with the floor. If relocating, adjust leveler as needed until it's firmly in contact with the floor in new location.



Step 4. Insert seat cushion cores (part F) into seat cushion covers (part E).  
Insert back cushion cores (part H) into back cushion covers (part G).



Step 5. Carefully turn unit upright. Place seat cushions and back cushions as shown below.

