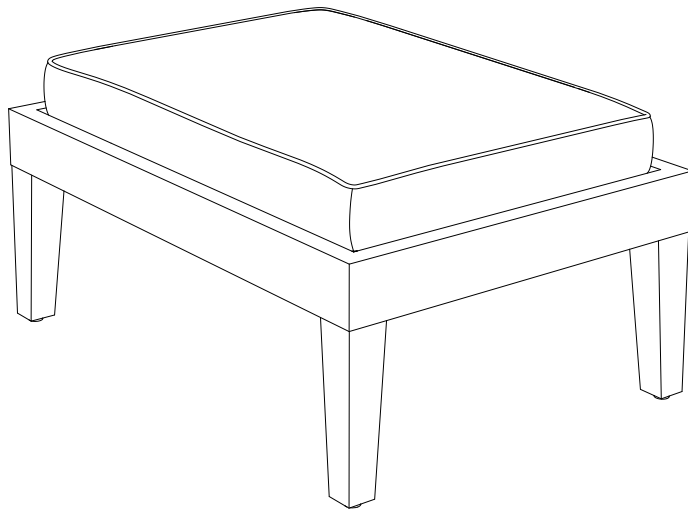
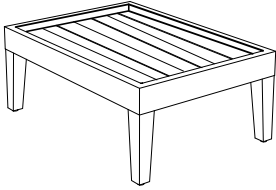
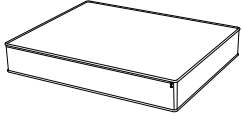





Outdoor Wicker Ottoman  
CO6224

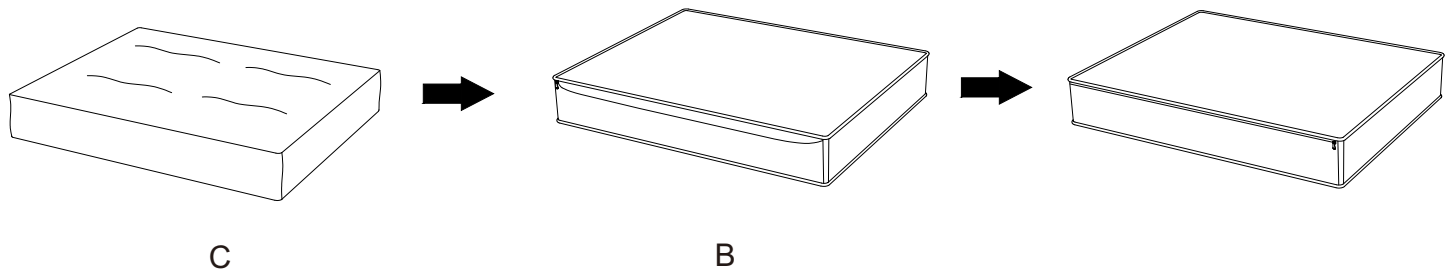


# PART LIST

<b>A</b> 	<b>B</b> 	<b>C</b> 
Ottoman Base 1 PC	Seat Cushion Cover * 1 PC	Seat Cushion Core 1 PC

\*Please note cushion covers will ship separately.

Step 1. Insert seat cushion core (part C) into seat cushion cover (part B).



Step 2. Place seat cushion as shown below.

NOTE: It is important to adjust levelers once fully assembled and upright. Extend adjustable leveler until it's firmly in contact with the floor. If relocating, adjust leveler as needed until it's firmly in contact with the floor in new location.

