



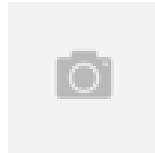
Bathtub -
 Wall mounted two-way diverter -
 Article number: 35 202 970-90 0010
 Date of manufacture from 4/1/2022

NO IMAGE

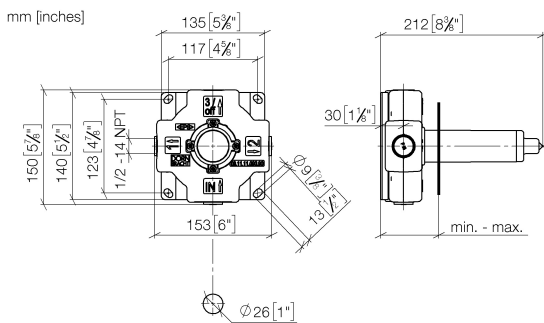


AVAILABLE

- brass, lead free
- 1x 1/2" male thread connection
- 2x outlet 1/2"
- Shaft and sleeve can be cut to length
- Mud guard
- Water protection
- Sound insulation
- NOTE: Important for certain series! Due to minimum rough-in requirements, a framing of 2x6 studs may be needed.



Dimensional drawing



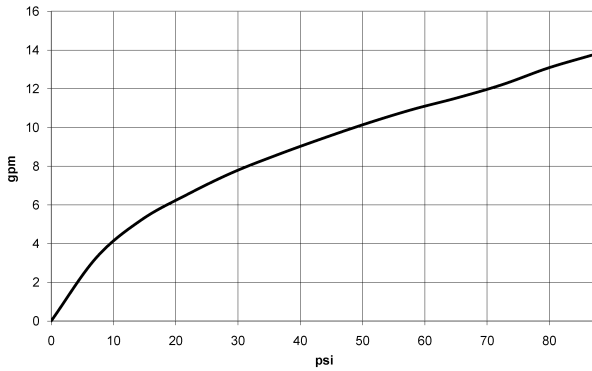
		min.	max.
36xxx361/371-FF	Madison / Madison Flair	85	110
36xxx710-FF	LULU	85	110
36xxx809/819-FF	Vaia	85	110
36xxx882/892-FF	Tara	95	160
36xxx740-FF	Meta/ CL.1/ CYO	95	116
36xxx980/985-FF	Symetrics	95	160
36xxx661-FF	Meta	115	155
36xxx705/715-FF	CL.1	115	155
36xxx782-FF	MEM	115	155

All dimensions in mm / inch = mm x 0,0394



Bathtub -
Wall mounted two-way diverter -
Article number: 35 202 970-90 0010
Date of manufacture from 4/1/2022

Flow rate chart



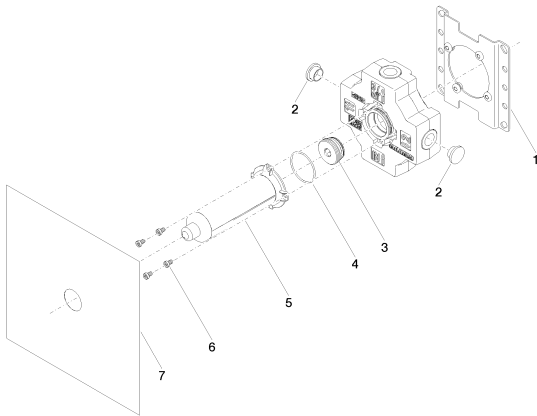
Other surface finishes

More custom finish options are available via special production (xTra Service). Please see our finish matrix for availability and pricing or contact a Dornbracht representative.



Bathtub -
Wall mounted two-way diverter -
Article number: 35 202 970-90 0010
Date of manufacture from 4/1/2022

Spare parts list



Number	Item Number	Designation	Number of units
1	04 17 20 252 00 90	base	1
2	09 31 20 092 90	plug	4
3	90 31 20 131 00 90	plug	1
4	09 14 10 210 90	seal	1
5	04 21 02 180 10 90	cap	1
6	09 30 30 112 90	screw	4
7	04 14 03 116 00 90	gasket kit	1