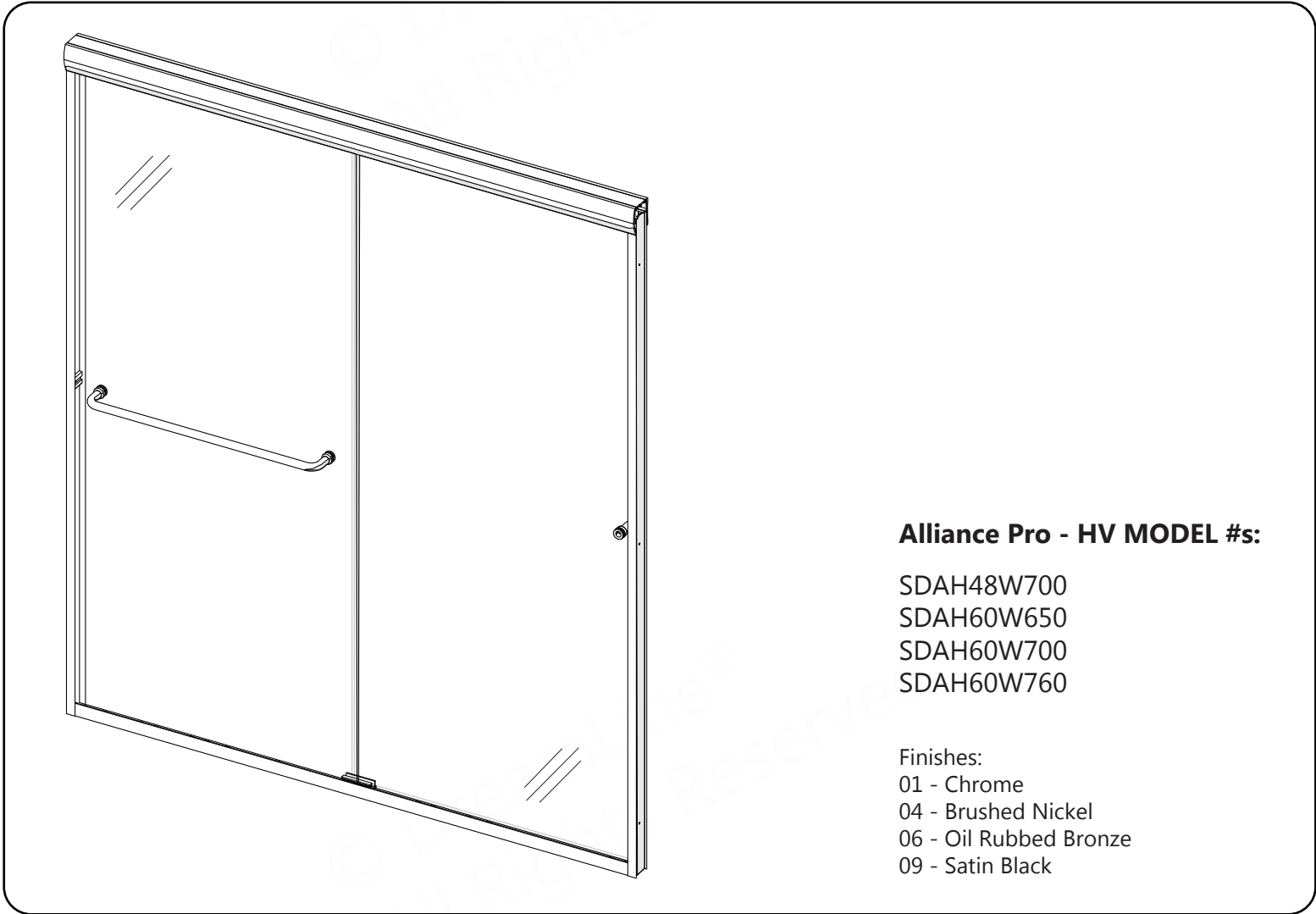




# ALLIANCE PRO - HV

## SHOWER DOOR INSTALLATION INSTRUCTIONS

PLEASE REVIEW THIS ENTIRE MANUAL PRIOR TO INSTALLATION



**Alliance Pro - HV MODEL #s:**

- SDAH48W700
- SDAH60W650
- SDAH60W700
- SDAH60W760

**Finishes:**

- 01 - Chrome
- 04 - Brushed Nickel
- 06 - Oil Rubbed Bronze
- 09 - Satin Black

**IMPORTANT!**

DreamLine® reserves the right to alter, modify or redesign products at any time without prior notice for the purpose of product improvement and customer experience. Please refer to the model's web page on **DreamLine.com** for the latest technical drawings, installation manuals, warranty information or additional product details.

**Do Not Return Product to the Store. Contact DreamLine® with any questions**



**Questions?**

Please Call **DreamLine Customer Support: 1-866-731-2244**  
Hours of Operation M-F 8AM - 6PM EST

**Support@DreamLine.com**





### Alliance Pro - HV SKUs

- SDAH48W700VTX01
- SDAH48W700VXX01
- SDAH48W700VTX04
- SDAH48W700VXX04
- SDAH48W700VTX06
- SDAH48W700VXX06
- SDAH60W650VXX01
- SDAH60W650VXX04
- SDAH60W650VXX06
- SDAH60W650VXX09
- SDAH60W700VTX01
- SDAH60W700VXX01
- SDAH60W700VTX04
- SDAH60W700VXX04
- SDAH60W700VTX06
- SDAH60W700VXX06
- SDAH60W700VTX09
- SDAH60W700VXX09
- SDAH60W760VTX01
- SDAH60W760VXX01
- SDAH60W760VTX04
- SDAH60W760VXX04
- SDAH60W760VTX06
- SDAH60W760VXX06
- SDAH60W760VTX09
- SDAH60W760VXX09

**01** - Chrome      **04** - Brushed Nickel      **06** - Oil Rubbed Bronze      **09** - Satin Black

Record the following purchase information for your records or in the event you need to contact DreamLine®:

Purchase Order  
Number \_\_\_\_\_

Store/Vendor  
Purchased From \_\_\_\_\_

Installation Date \_\_\_\_\_

OD Number  
(optional) \_\_\_\_\_  
\*found on the shipping box or label  
if available.

Installed By: \_\_\_\_\_

SKU Number \_\_\_\_\_

# Table of Contents

Section Title	Page (s)
ClearMax™ Coating Information	—
Warnings and General Preparation	2
Model Specific Preparation	3
Tools	4
Detailed Diagram of Shower Door Components	5
Parts List	6-7
Installation Steps	8-21
Wall Profile Installation	9-10
Bottom Profile Installation	11
Top Guide Rail Installation	12
Roller Wheel Installation	13
Door Glass Installation	14-16
Roller Wheel Adjustment Procedure	17
Center Guide Installation	18
Towel Bar and Knob Handle Installation	19
Anti-Jump Inserts Installation	20
Product Maintenance	22
Troubleshooting	23

## Symbol Legend



**TIP** - for ease of installation.



**CORRECT** - recommended.



**NOTE** - take note of special feature; additional information.

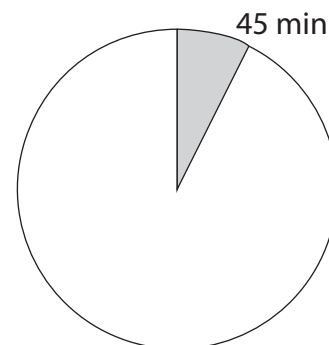


**INCORRECT** - not recommended.



**REQUIRED** - requires special attention; signifies a warning.

Average Installation Time





**IMPORTANT**

- DreamLine® reserves the right to alter, modify or redesign products any time without prior notice for product improvement and customer experience. Please refer to the model's web page on [DreamLine.com](http://DreamLine.com) for the latest technical drawings, installation manuals, warranty information or additional product details.
- This product should be installed by someone familiar with the construction requirements for this type of project and the care necessary for the safe installation and operation of the product.
- The safety of any installation is the responsibility of the installer.
- Professional installation recommended. (*All Models*)
- Professional installation required. (*Enigma Series*)
- To prevent damage or serious injury: Do Not lean against the installed panel/door/glass.
- To prevent damage or serious injury: Do Not attempt to lift or move a heavy lite of glass alone. Use an assistant and/or a professional grade glass suction cup.
- The installation of some models may require drilling down into the threshold. Contact the manufacturer of the base, tub, or threshold material with any questions regarding the drilling of holes into their product.
- All drawings in this installation manual are for illustrative purposes only and are not drawn to scale.

**TEMPERED GLASS WARNING**

- Your Shower Door Glass Could Shatter Without Warning if Improperly Installed or Mishandled
- Do Not install or operate a shower door if the glass has chipped corners, slivered edges or is otherwise damaged and/or has been dropped or banged into a hard surface such as tile, marble or glass.
- **The main causes of tempered glass breakage are:**
  - Improper handling, storage or installation
  - Misuse/abuse
  - Lack of maintenance
  - Failure to replace damaged glass
  - **Improper handling during storage, unpacking and installation:**
  - Corners and edges are the most susceptible area to damage on a lite of tempered glass and should be protected and handled with care during storage, unpacking, installation and operation. A concentrated point of pressure or impact with a surface harder than itself may cause the tempered glass to shatter. The tempered glass may release immediately, within several hours or even days later.
  - **Incorrect installation of door hardware, rollers, hinges, channels, stopper or glass:**
  - Improper installation may include: loose hardware and/or lack of proper gaskets between the hardware and glass. Additionally, improper alignment of guide rails, wall profiles or other hardware during installation or operation may place stress on the glass edges and cause it to break.
  - This product must be installed by a professional and experienced installer familiar with the safe handling of tempered glass.
  - **Improper use of this product:**
    - Aggressively opening or closing the door may cause trauma to the glass, which can lead to breakage. This may occur immediately or hours or even days later.
    - **The shower door hardware and glass should be inspected periodically:**
      - Instruct the homeowner how to perform a periodic inspection of the shower hardware and glass - some minor adjustments may be necessary based upon the use (or misuse) of the shower door. Ensure that the hardware remains tight and that the door alignment and operation are correct. Any adjustments should be made upon discovery to prevent damage to the product.
      - Additional considerations should be given to the installation of frameless tempered glass products in households with young children or an elderly person due to an increased chance of improper handling. In such cases, alternatives such as shower curtains or grab bars should be considered.

**GENERAL PREPARATION**

- After opening all boxes and packages, read this introduction carefully. Check that all the items are included in the package by marking off the components on the “**Detailed Diagram of Product Components**” page. Examine all boxes and packages for shipping damage. If the unit has been damaged, has a finishing defect, or is missing parts; please contact our Customer Support department within 3 business days of the delivery date. **Please note that DreamLine® will not replace any damaged products or missing parts free of charge after 3 business days or if the product has been installed.** Please contact DreamLine® if you have any questions.
- **Please note that you should refer to your local building codes with questions on installation compliance standards. Building and plumbing codes may vary by location, and DreamLine® is not responsible for code compliance standards for your project and will not accept any returns.**
- If this unit is going to be installed in a new construction, install all the required plumbing and drainage before installing the shower. **Use a competent and licensed (if required by local code) plumber for all plumbing installation.**
- Make sure that prior to beginning the installation, the surfaces are leveled and solid and will be able to support the total weight of the unit. Also make sure the walls are at right angles. Irregular installation surface level, radius corners or improper angle of side walls will result in serious problems for your installation. Please note that some adjustments and drilling will be necessary during the installation process.
- Protect all primary surfaces of the product during installation. Never set your glass down directly onto a tile floor. Leave corner protectors in place until it is necessary to remove them. Always use a piece of wood or cardboard to protect the bottom edge and corners of the glass prior to and during installation.
- This unit must be installed upon a finished threshold and against finished walls.
- *DreamLine® shower doors are not designed to be installed into a fiberglass surround due to the radius corners and lack of a solid surface to mount the hardware.*

**WARNING: TO AVOID THE RISK OF DAMAGE OR INJURY:**

- **Follow all recommendations and requirements as shown in the installation instructions.**
- Perform a thorough inspection of the glass and all parts for any damage prior to installation. Any damage to tempered glass can cause breakage. **Do Not install damaged glass!**
- Do Not install or operate a shower or tub door if the glass has chipped corners, slivered edges or is otherwise damaged. Do Not install or operate a shower or tub door that has been dropped or banged into a hard surface such as tile, marble or glass.
- **CAUTION:** Contact with any hard surface can damage tempered glass and cause it to shatter.
- This product uses tempered glass. Glass cannot be cut after it has been tempered. **Do Not attempt to cut tempered glass.**
- DreamLine® Glass Shower doors, Tub doors, Inline panels, and Return panels can shatter due to improper handling or lack of maintenance. Conduct periodic inspections of glass and all parts for possible damage, missing or loose parts.
- Always wear proper safety equipment such as: safety goggles, work gloves and appropriate footwear during the installation process.
- **WARNING. Risk of leakage and/or damage.** Follow all instructions regarding the application of silicone sealant or caulk. Allow 24 hours for the sealant to cure before the initial use of the shower or tub product. Follow the silicone manufacturer's recommendations regarding the use of their product.
- **Thoroughly read these instructions before installing or using this product.**
- **Leave this manual for the end-user of the product.**



This product should be installed by someone familiar with the construction requirements for this type of project and the care necessary for the safe installation and operation of the product.

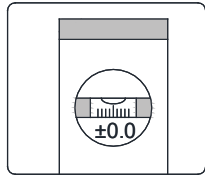


# Model Specific Preparation

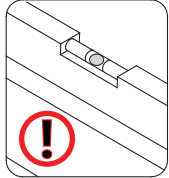


## REQUIRED:

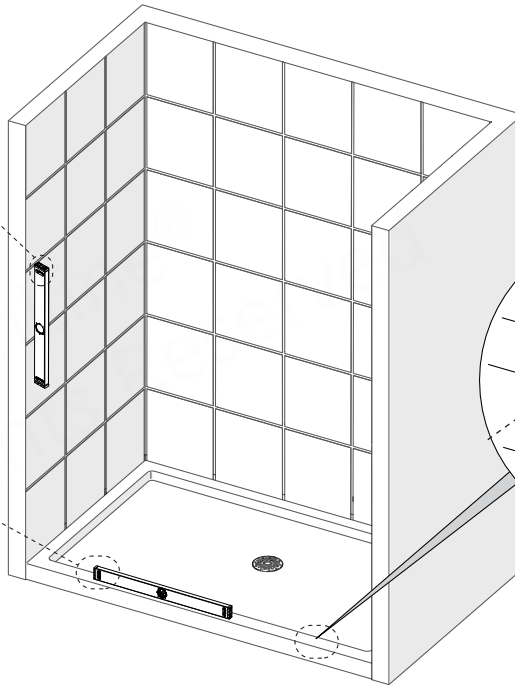
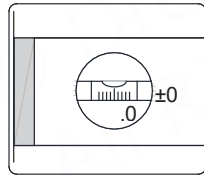
**1/4" (6.3mm)  
Out-of-Plumb  
Adjustment; Verify  
threshold and walls  
with a level**



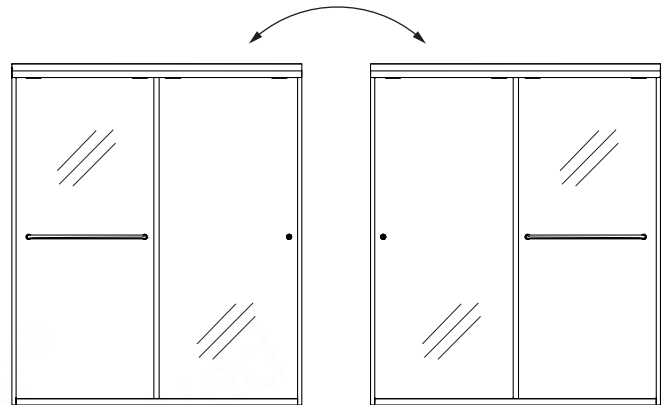
**Threshold must be  
level**



**Threshold must be level**



**1-3/4" (44 mm)  
minimum  
flat threshold**



This door is reversible. The inside door glass can be installed on either side of the shower, and should always be installed on the shower head side of the shower to avoid leaking between the doors.

**DO NOT attach the handle to the door glass until instructed.  
DO NOT attempt to use the handle to lift the door glass during installation.**



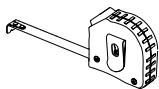
**This may result in damage to the glass and/or serious injury. Always use a professional grade glass suction cup and an assistant.**



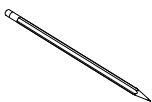
## Tools



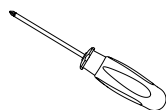
4-Foot Level



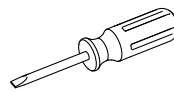
Tape Measure



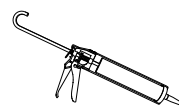
Pencil



Phillips  
Screwdriver



Flat-head  
Screwdriver



Caulk gun with  
clear, mold-resistant  
Silicone



Screw Gun  
or Impact Driver  
w/ #2 Phillips bit



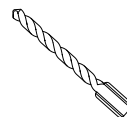
Power  
Drill



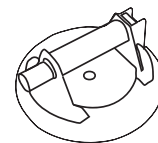
Drill Bit  
Ø1/8"  
(3mm)



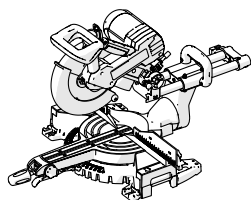
Drill Bit  
Ø9/64"  
(3.5mm)



Drill Bit  
Ø3/16"  
(4mm)



Professional-grade  
Glass suction cup



Compound Miter Saw  
with Blade for Metal



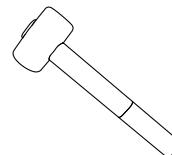
Razor Knife



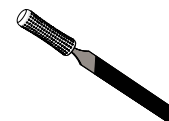
Safety Glasses



Work Gloves



Rubber Mallet



Metal File



Verify that the correct model size has been ordered; measure the finished opening **before** proceeding with the installation.

Confirm that the finished walls are plumb and the threshold is level and pitched into the shower area.

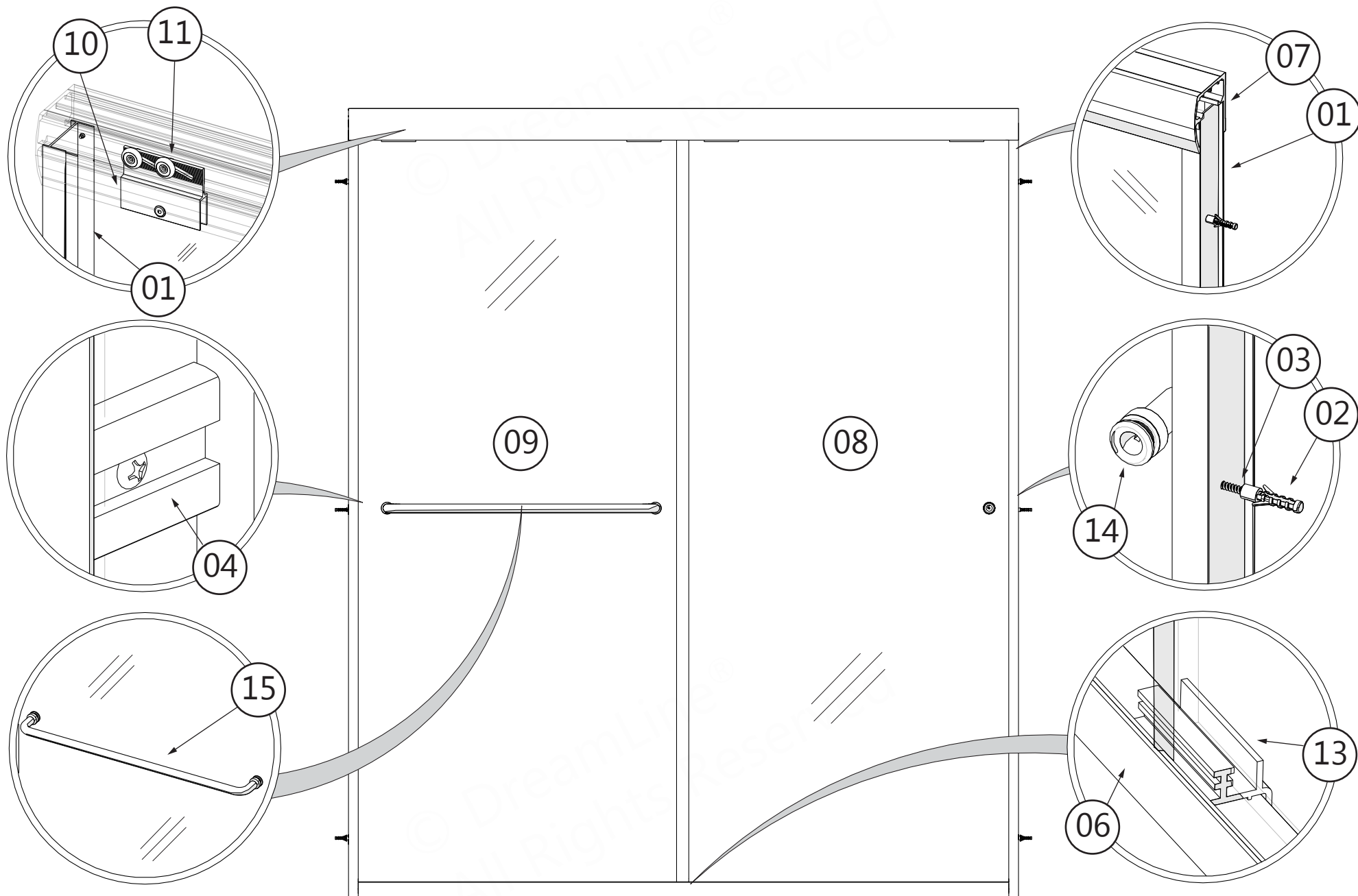
**Use a good quality waterproof, mildew-resistant 100% silicone caulk.**

Cover the shower/tub drain with tape prior to installation to prevent the loss of screws or small parts.



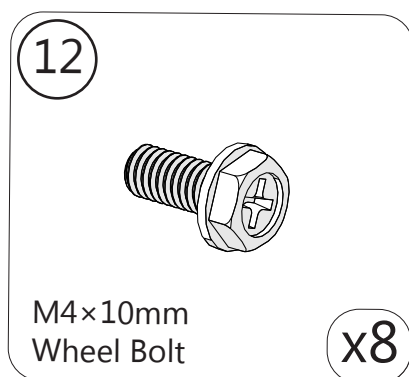
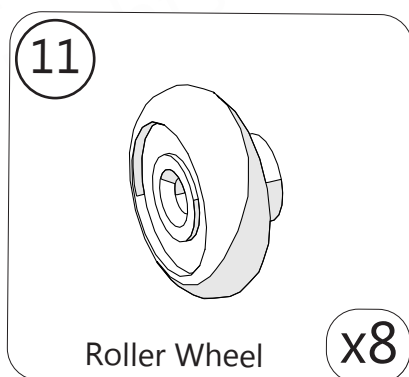
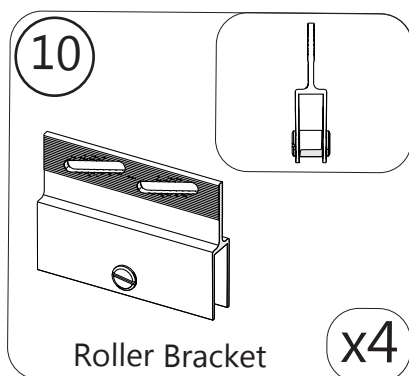
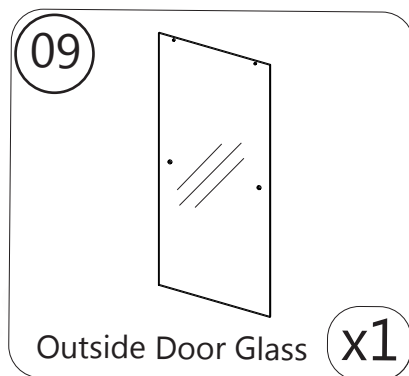
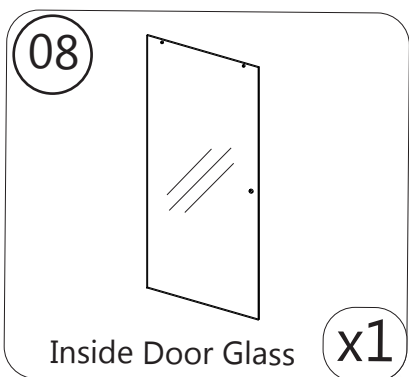
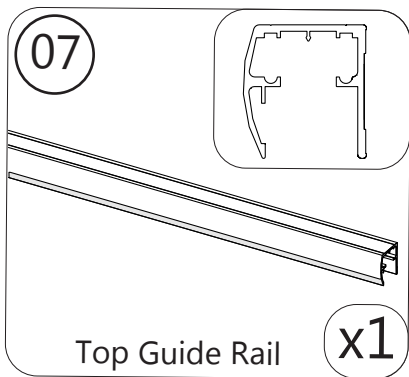
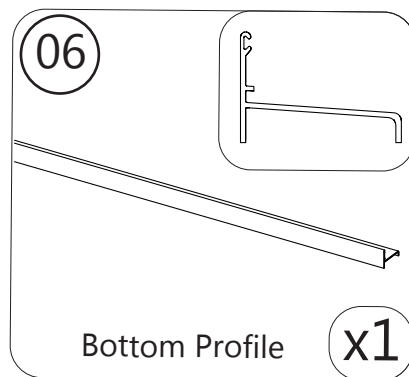
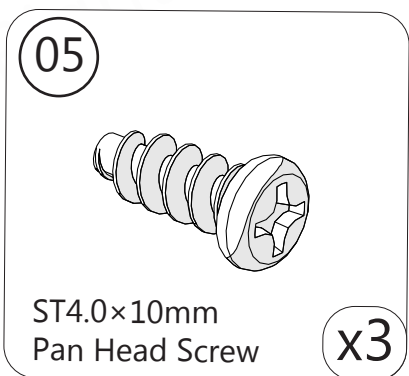
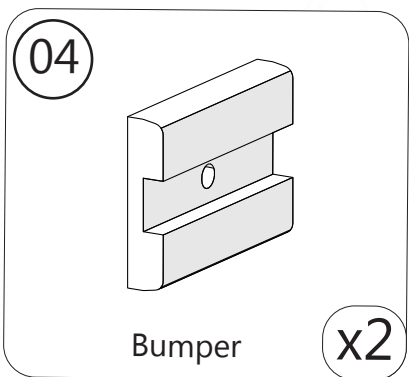
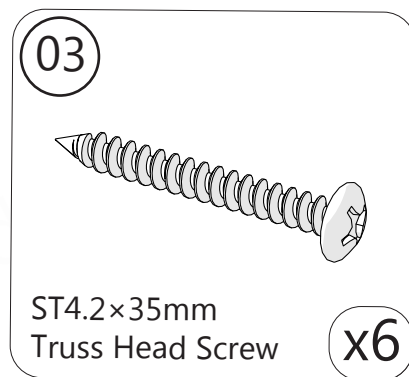
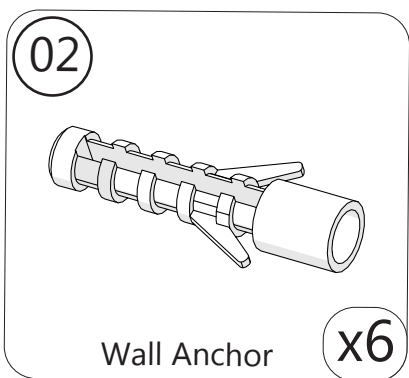
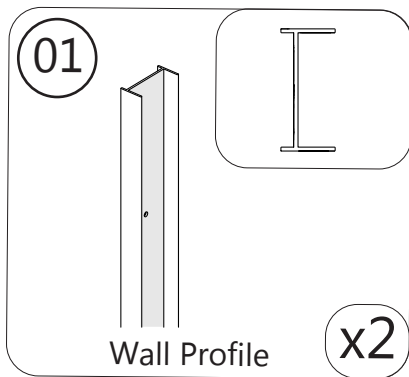
Unpack your unit carefully and inspect it. Lay it out and identify all parts using the **Detailed Diagram** on page 5; and packing list in this manual as a reference. Before discarding the carton, check for small hardware bags that may have fallen to the bottom of the box. If any parts are damaged or missing, please contact DreamLine® for replacement. The shipping boxes may contain extra parts not used in your model configuration. Retain these installation instructions for future reference.

# Detailed Diagram of Shower Door Components



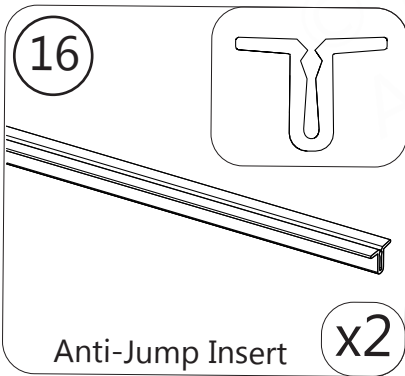
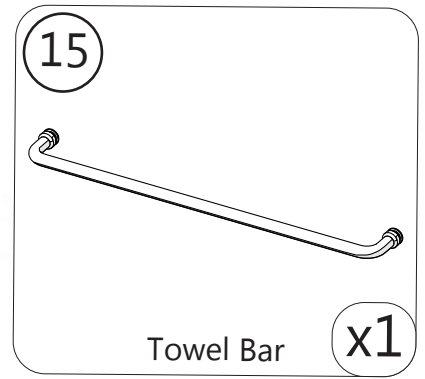
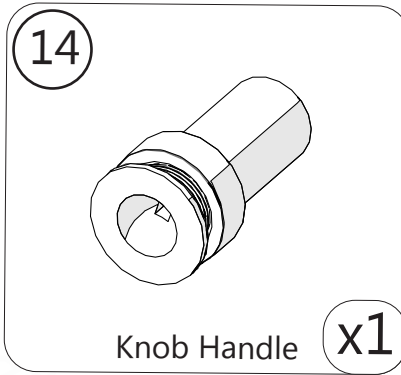
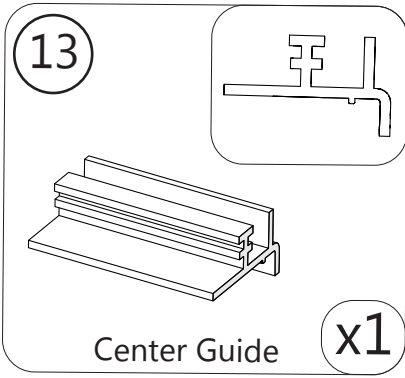


# Parts List



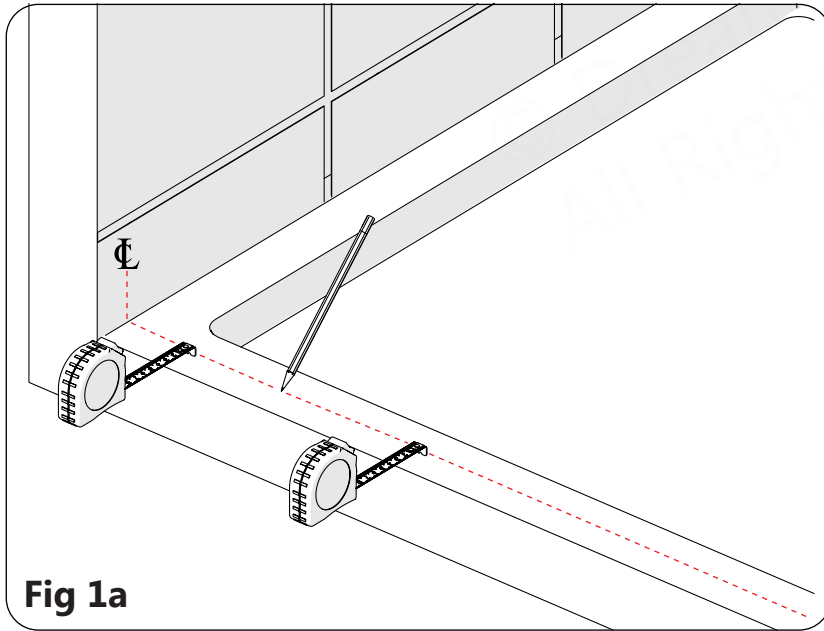


# Parts List

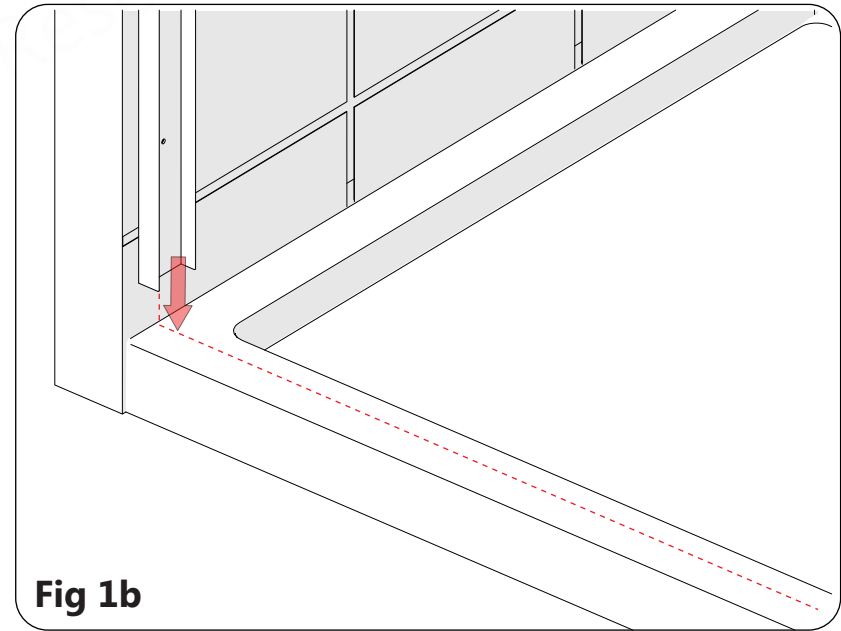


# Installation Steps

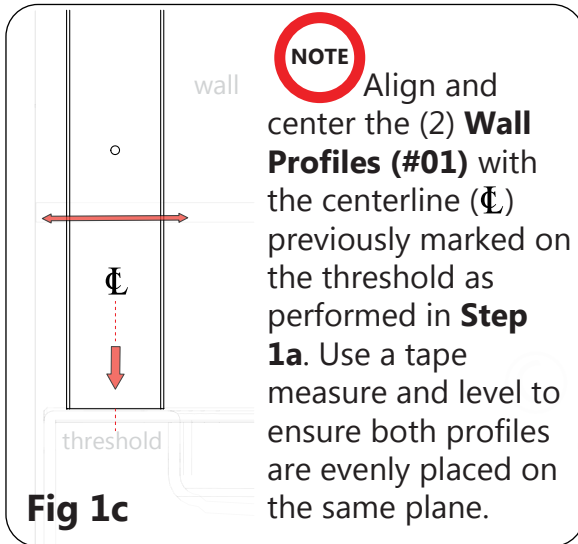
**1**



**Fig 1a**



**Fig 1b**



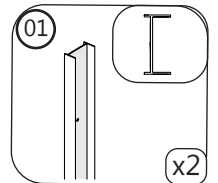
**Fig 1c**

**NOTE** Align and center the (2) **Wall Profiles (#01)** with the centerline (⌀) previously marked on the threshold as performed in **Step 1a**. Use a tape measure and level to ensure both profiles are evenly placed on the same plane.

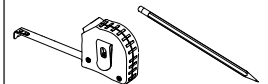
**NOTE**

Locate and mark a center line on the threshold or tub deck. **Fig 1a** Extend the mark across to both walls. Center the bottoms of both Wall Profiles on the center line. **Fig 1b**

**Parts Needed**



**Tools Needed**



2

# Wall Profile Installation

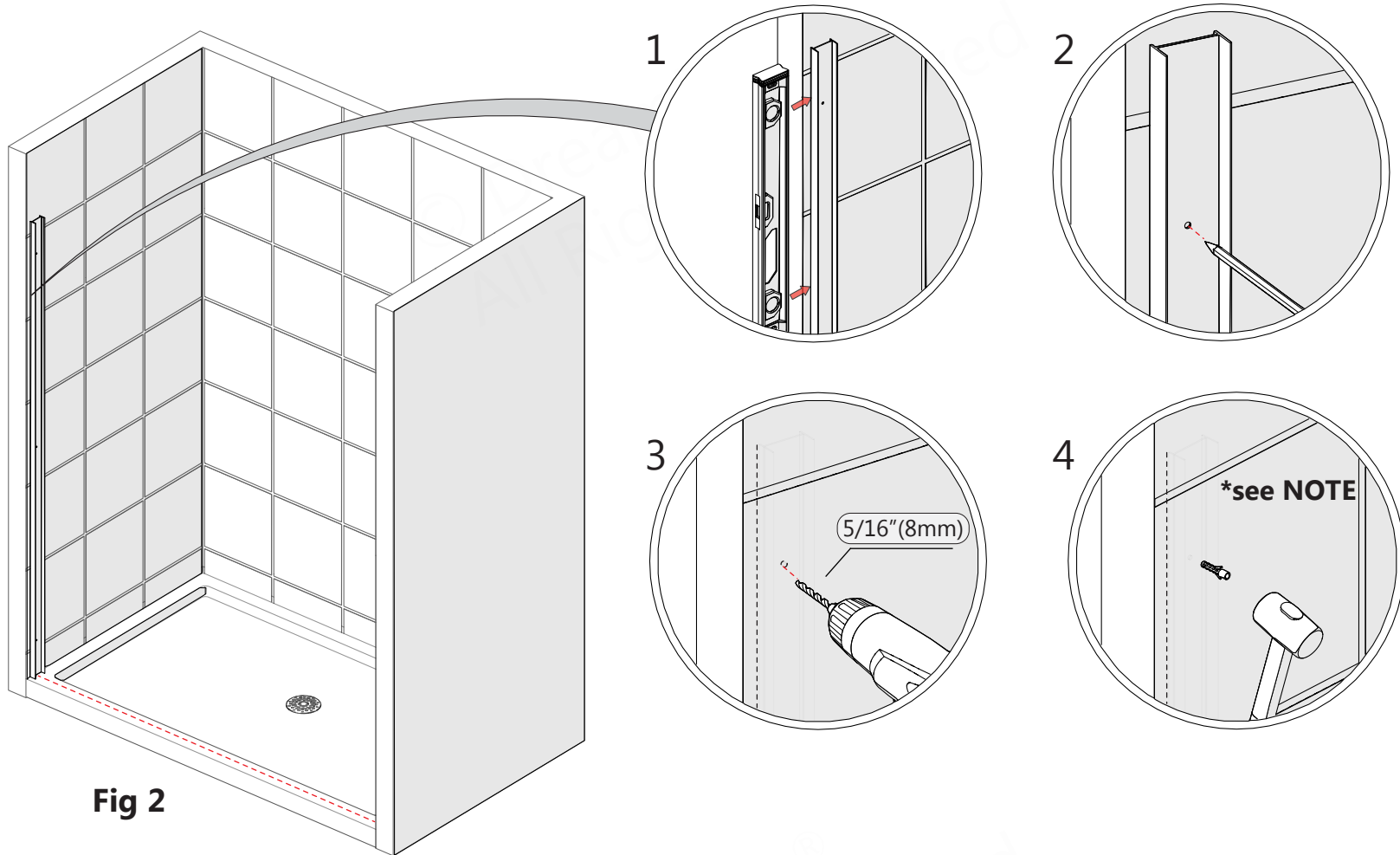


Fig 2

**NOTE**

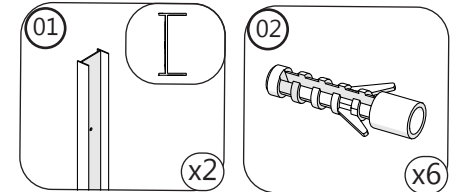
Level (plumb) both **Wall Profiles (#01)** and mark the holes for drilling. Drill three **Ø5/16" (8mm)** holes on each side wall and insert the **Wall Anchors (#02)**. **Fig 2**

**If a stud is present behind the wall:** Drill a **Ø9/64" (4mm)** hole up to the stud, then drill a **Ø1/8" (3mm)** pilot hole in the wood.

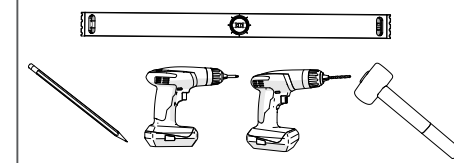
**TIP**

Be sure all pilot holes are the correct size. Always use low torque and steady pressure when securing stainless steel screws to avoid stripping or breaking off the screw heads.

**Parts Needed**



**Tools Needed**



3

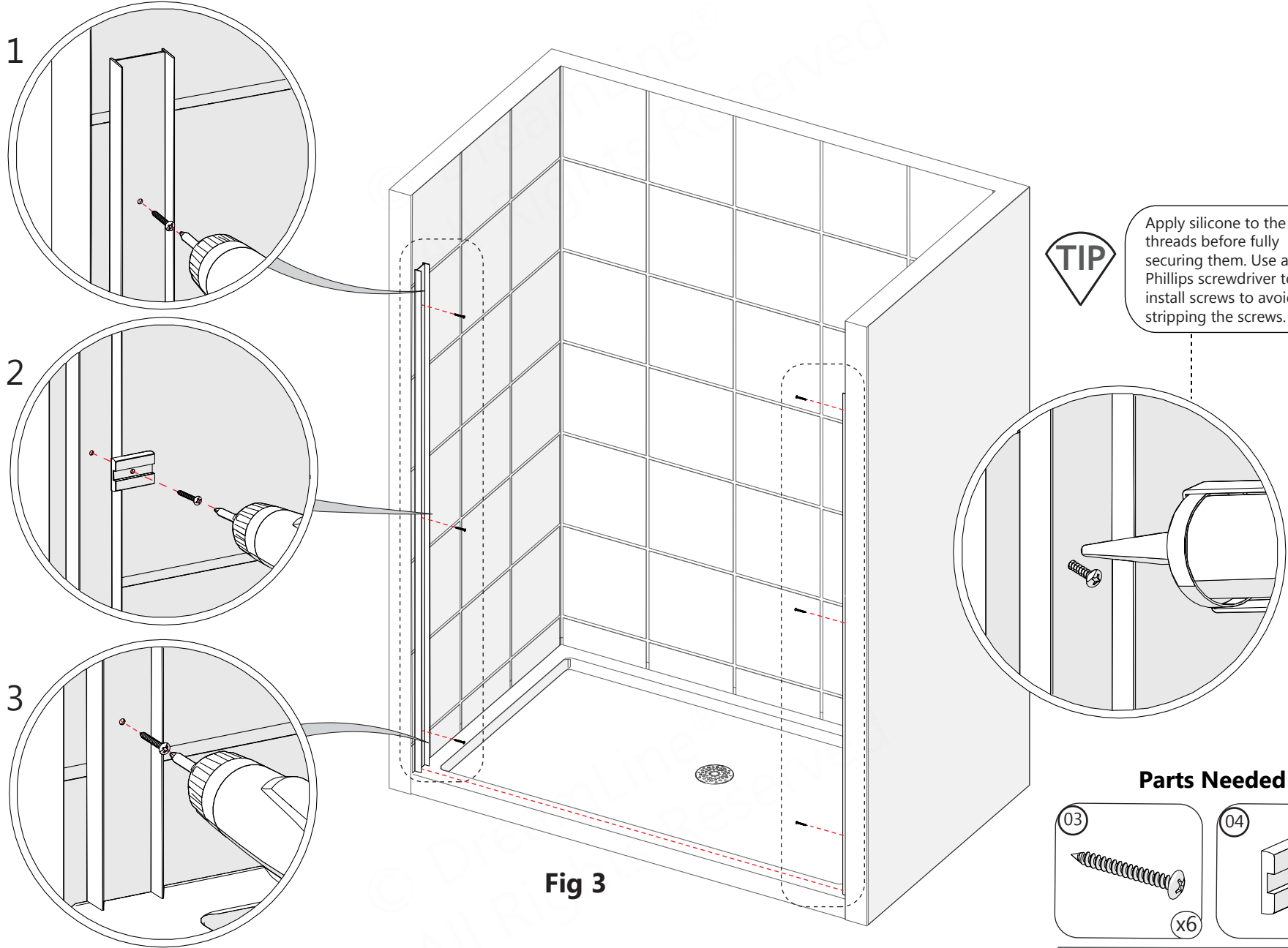
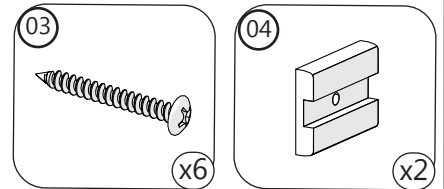


Fig 3

Parts Needed

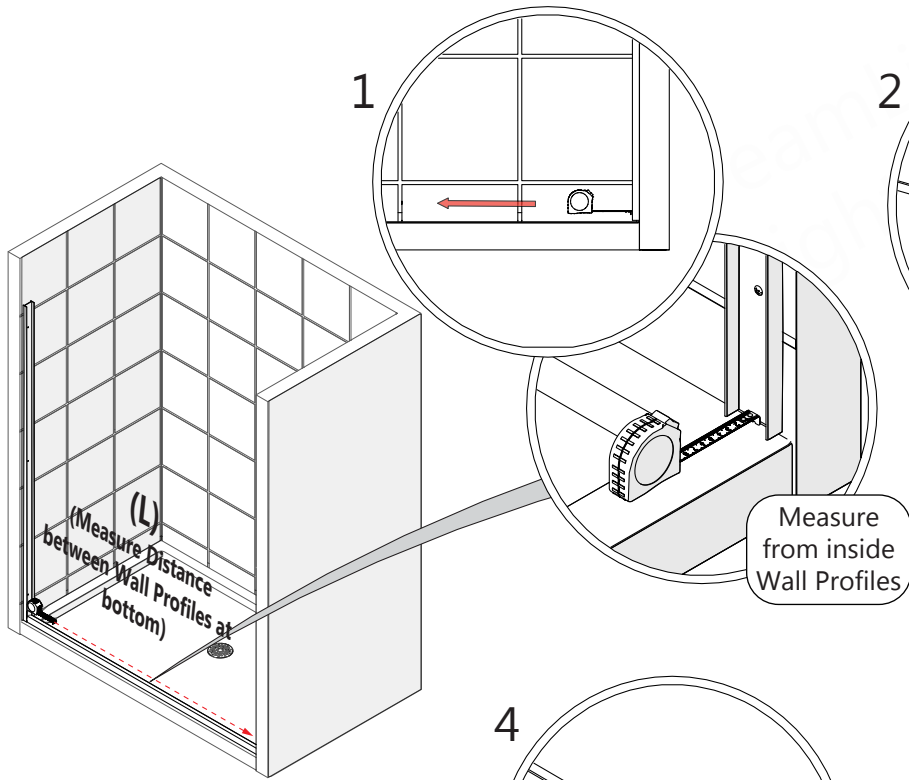


Tools Needed

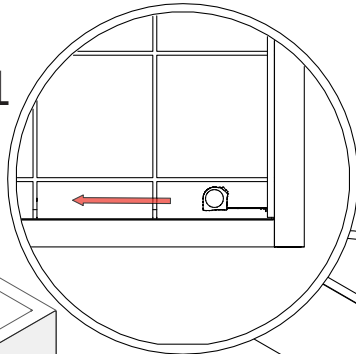


4

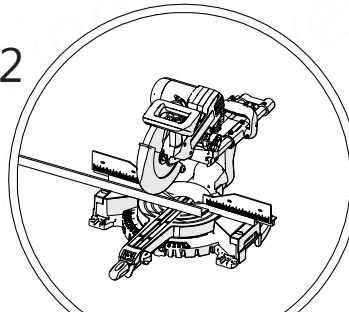
# Bottom Guide Rail Installation



1

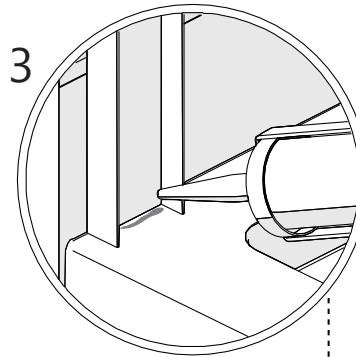


2



**Cut Formula for Bottom Profile (#06):**  
(L) - 1/16" (1.5mm)

3

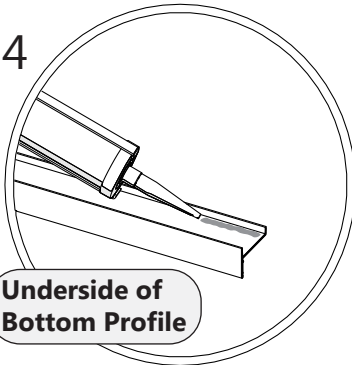


Apply a bead of silicone to the bottom of the **Wall Profile (#01)** where it meets the threshold.

Measure from inside Wall Profiles

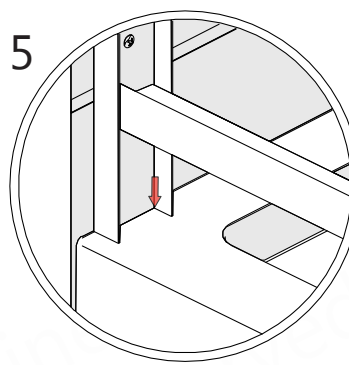
Fig 4

4

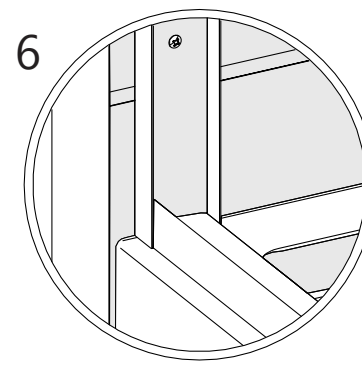


Underside of Bottom Profile

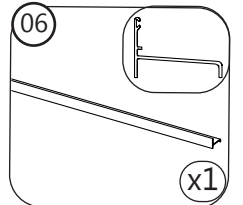
5



6

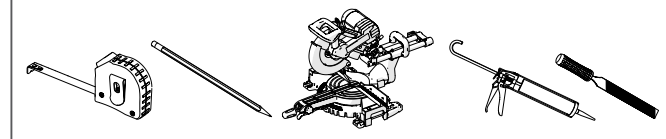


**Parts Needed**



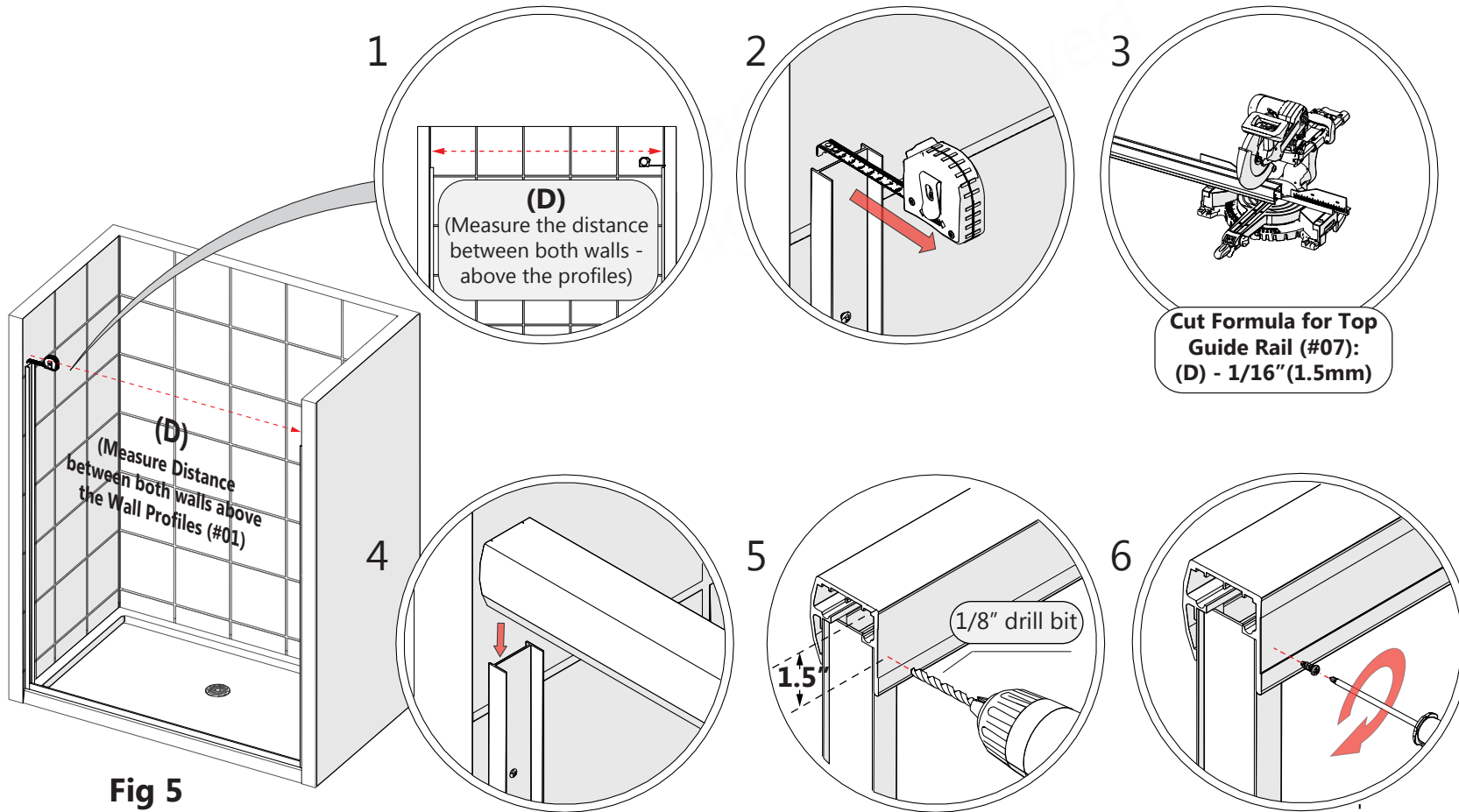
Use a metal file to remove any burrs from the **Bottom Profile (#06)** after cutting.

**Tools Needed**



**5**

# Top Guide Rail Installation



**Fig 5**

**Cut Formula for Top Guide Rail (#07):**  
 $(D) - 1/16'' (1.5\text{mm})$

**NOTE** Secure both sides with **ST4.0x10mm Screws (#05)**.

**Parts Needed**

- 07** **x1**
- 05** **x2**



Use a metal file to remove any burrs from the **Top Guide Rail (#07)** after cutting.

**Tools Needed**



6

# Roller Wheel Installation

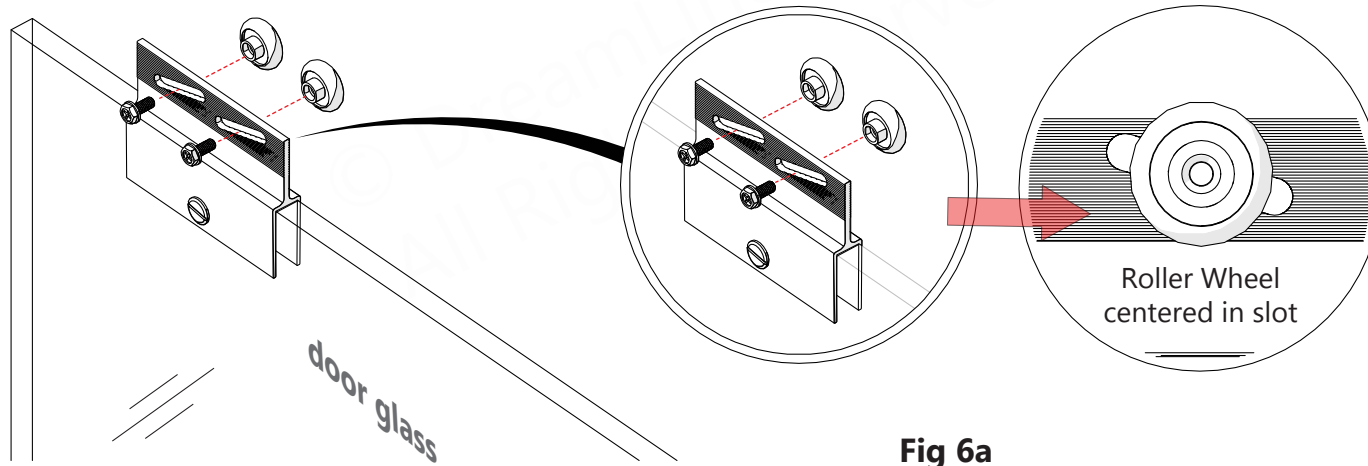


Fig 6a



Install all four **Roller Wheels (#11)** at the center of the angled slots on top of both lites of **Door Glass (#08 and #09)** to enable adjustment (if needed). Use the **M4×10mm Wheel Bolts (#12)** to secure the **Roller Wheels (#11)**. **Fig 6a** Note the reverse direction of the **Roller Wheels (#11)** on the Inside and Outside Door Glass. **Fig 6b**

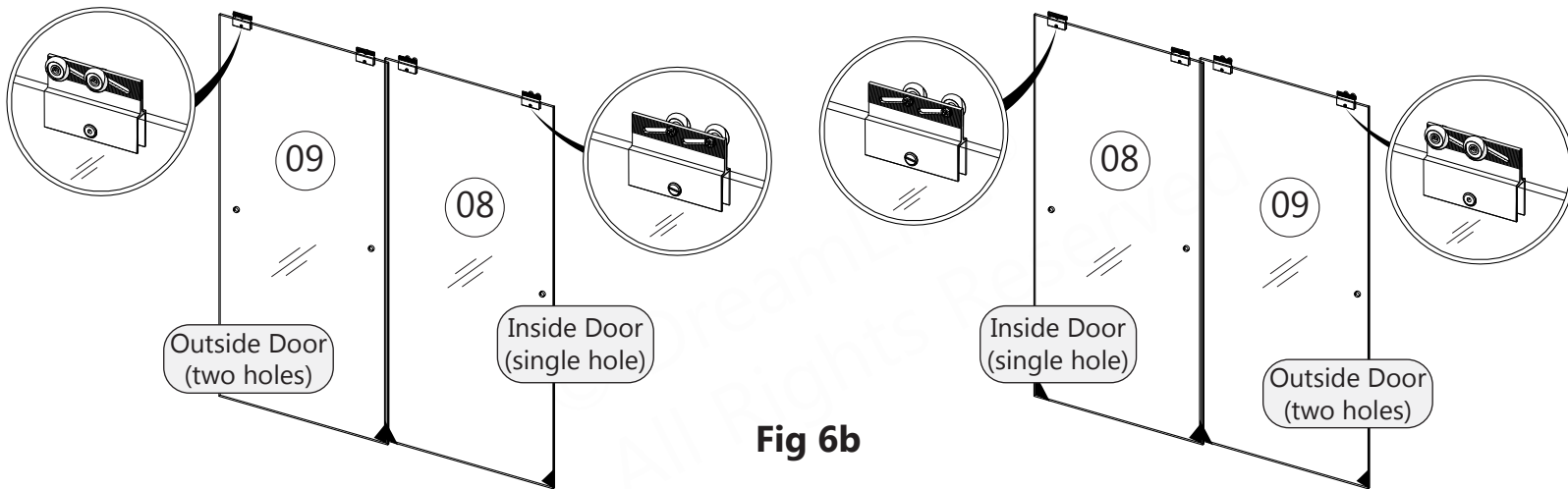
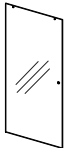
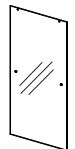
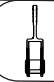




Fig 6b

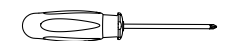
Right-side shower head installation shown as example

Left-side shower head installation shown as example

## Parts Needed

- 08  x1
- 09  x1
- 10  x4
- 11  x8
- 12  x8

## Tools Needed



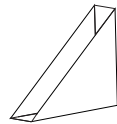
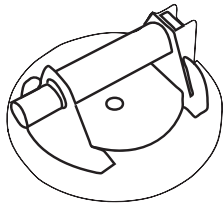


7

# Door Glass Installation



Be extremely careful of the glass edges when handling or moving the door glass. Do not set the glass down on any hard surfaces. Use a glass suction cup when moving glass and leave the corner protectors on the glass until necessary to remove them.



Corner Protector



**Important:** Place both glass doors in the rear of the shower opening, **Inside Door Glass (#08)** first, followed by the **Outside Door Glass (#09)**. **Be careful to protect the edges of the glass.** Cushion the underside of the glass and between the two glass doors. Be sure that both glass doors and **Roller Wheels (#11)** are oriented in the correct position for installation. **Fig 7**

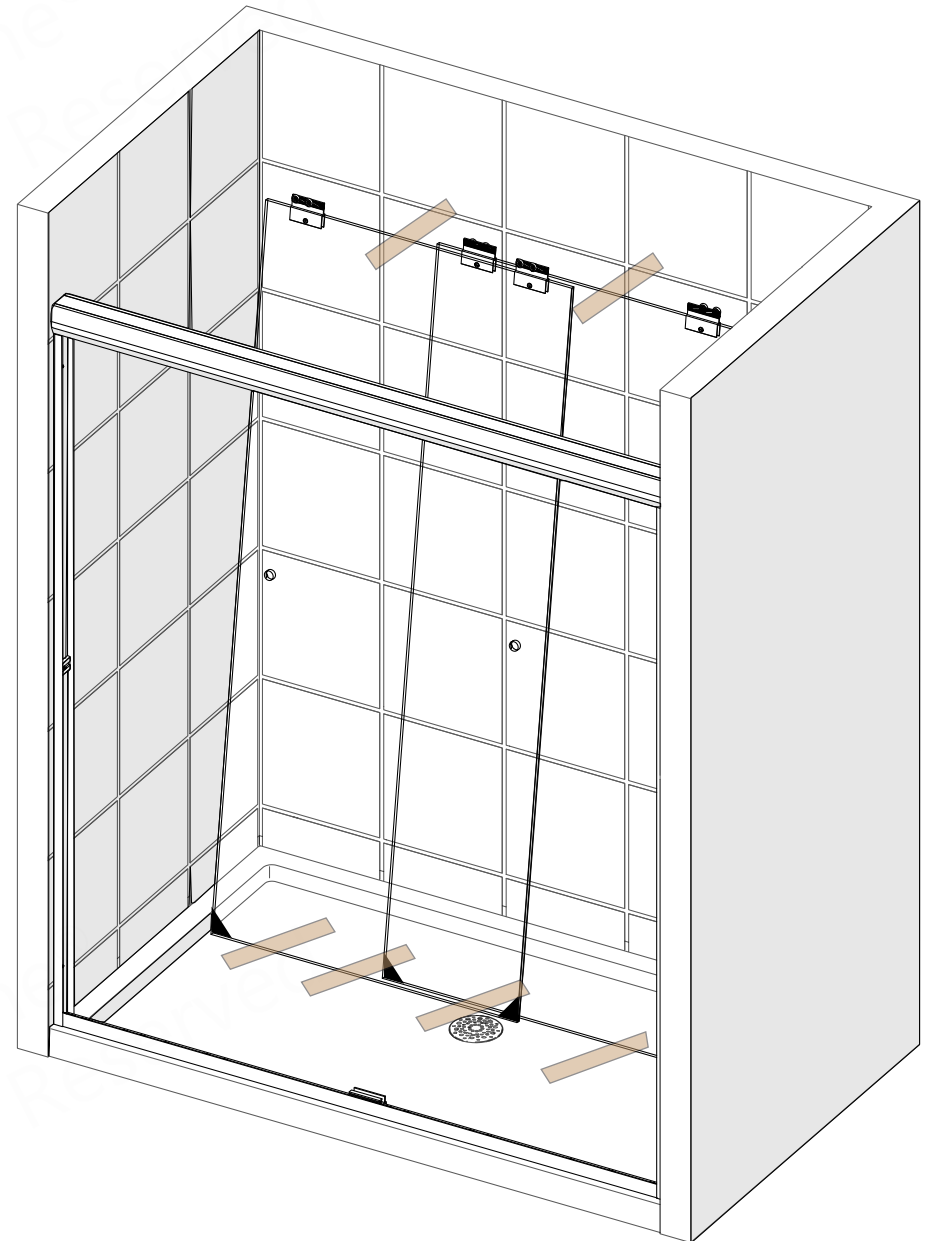
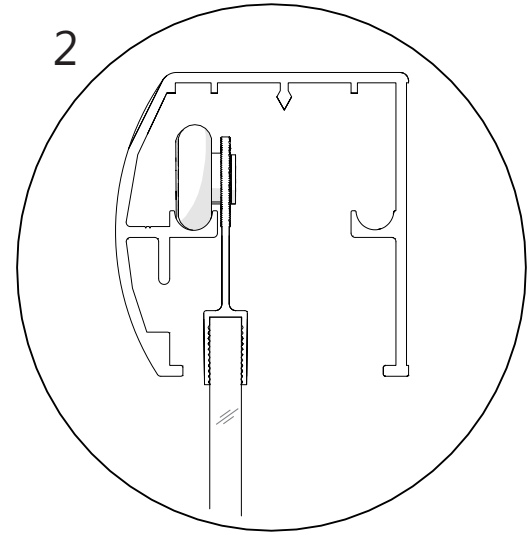
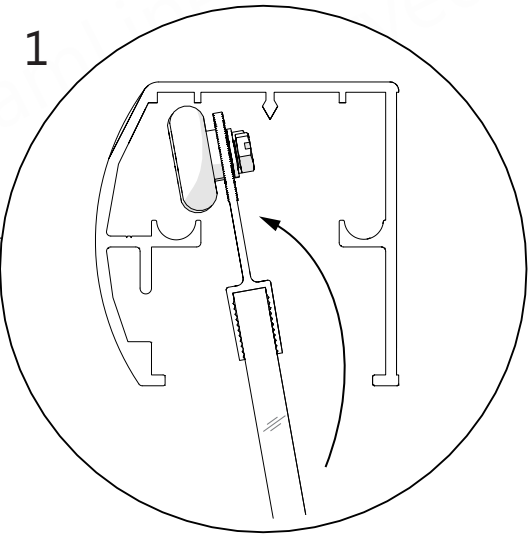
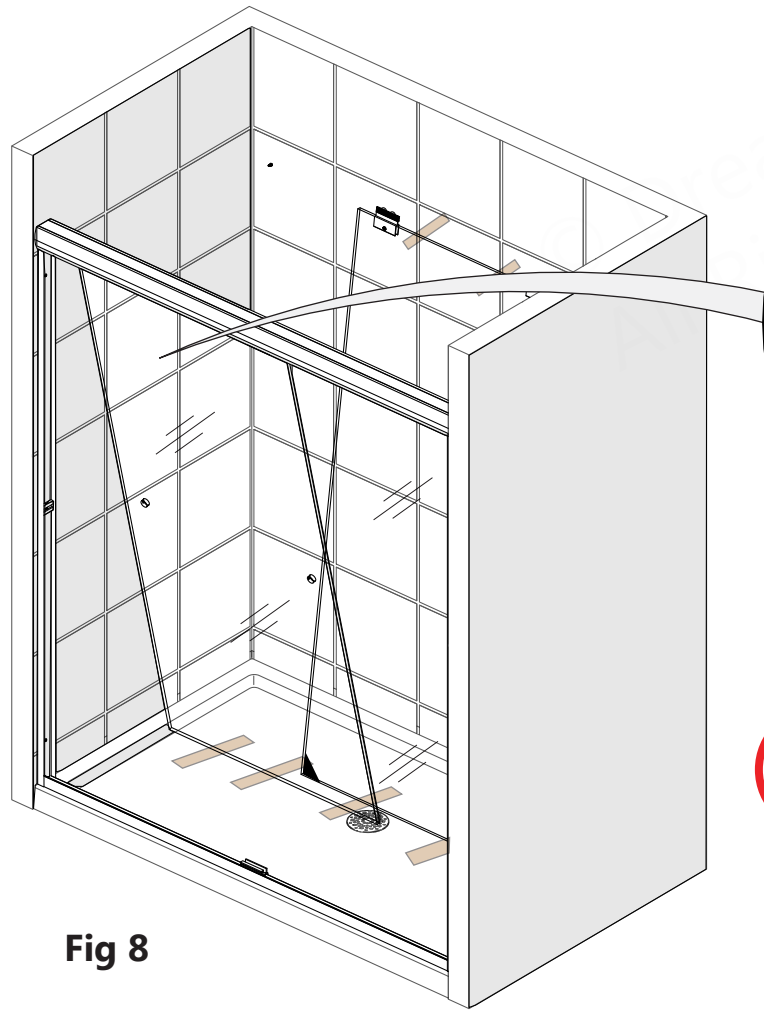


Fig 7

8



**NOTE**

Install the **Outside Door Glass (#09)** first, from outside the shower. Face the **Roller Wheels (#11)** toward the outside of the shower and lift the Door Glass into the track in the **Guide Rail (#07)**. Once the Roller Wheels are securely in the track, allow the Door Glass to hang plumb. **Fig 8**

**Fig 8**

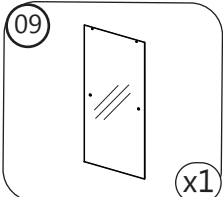


Be extremely careful of the glass edges when handling or moving door glass. Do not set the glass down on any hard surfaces. Use a glass suction cup when moving glass and leave the corner protectors on the glass until necessary to remove them.

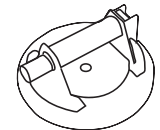


**Corner Protector**

**Parts Needed**



**Tools Needed**



9

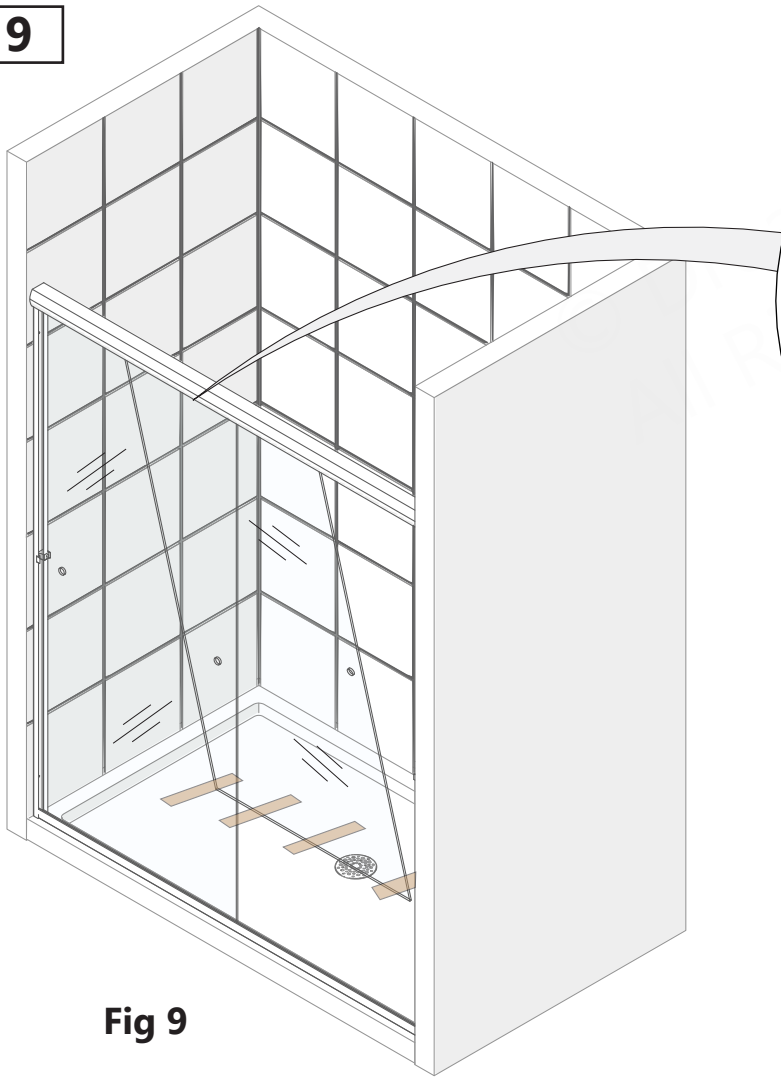
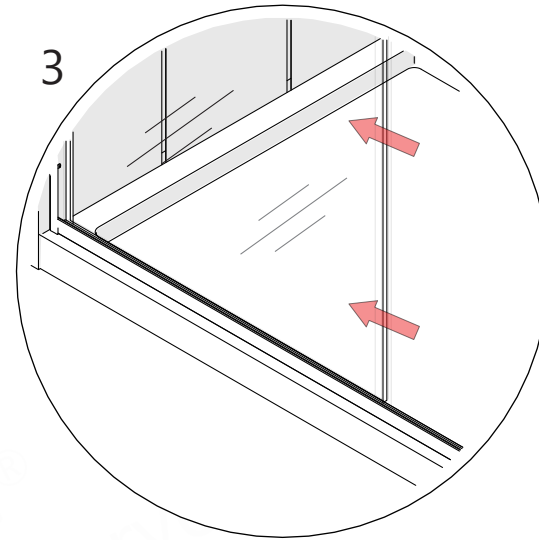
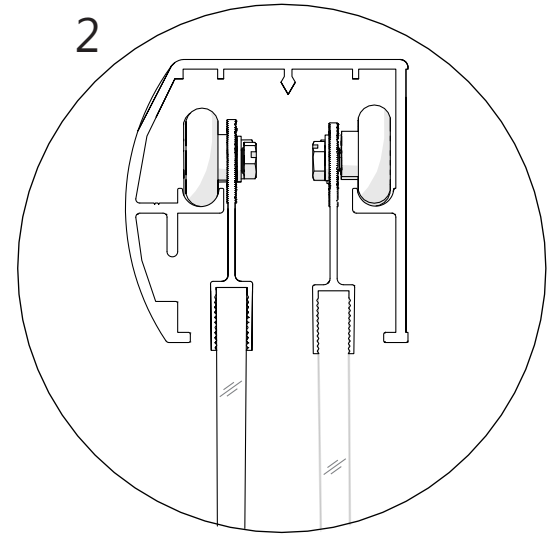
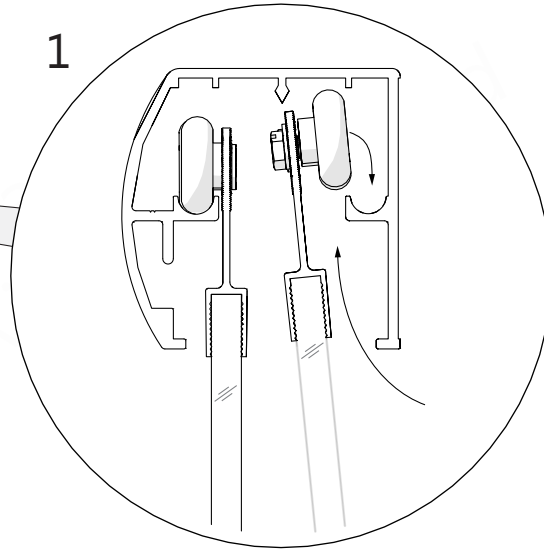


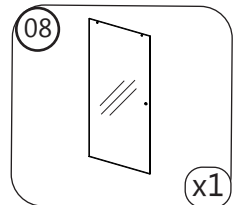
Fig 9



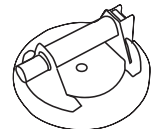
**NOTE**

From inside the shower, lift the **Inside Door Glass (#08)** (with the Roller Wheels facing the rear of the shower) up into the **Top Guide Rail (#08)** at an inward angle and place the **Roller Wheels (#11)** into the inside track in the **Top Guide Rail (#08)**. Allow both doors to hang freely and slide them both to one side of the shower. **Fig 9**

**Parts Needed**



**Tools Needed**



10

# Roller Wheel Adjustment

**NOTE**

The **Roller Wheels** can be adjusted to better align the vertical edges of the **Door Glass** with the **Wall Profiles** if needed, to prevent leaks. In order to adjust either side of either door up or down, remove that door from the **Top Guide Rail (#07)**. Use a helper and be careful to protect the glass edges. Adjusting a Roller Wheel **up (higher in the slot)** will **lower** the door glass, and adjusting a Roller Wheel **down (lower in the slot)** will **raise** the door glass. **Fig 10**

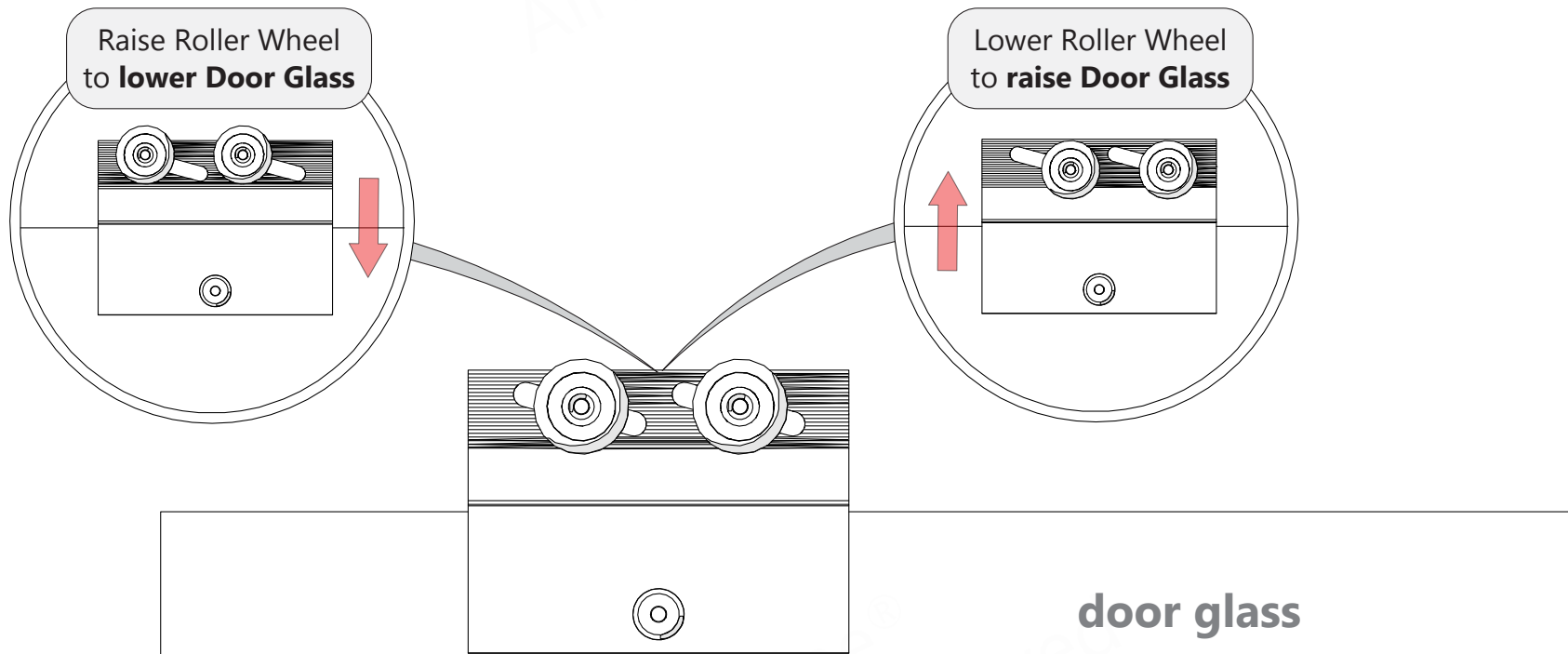


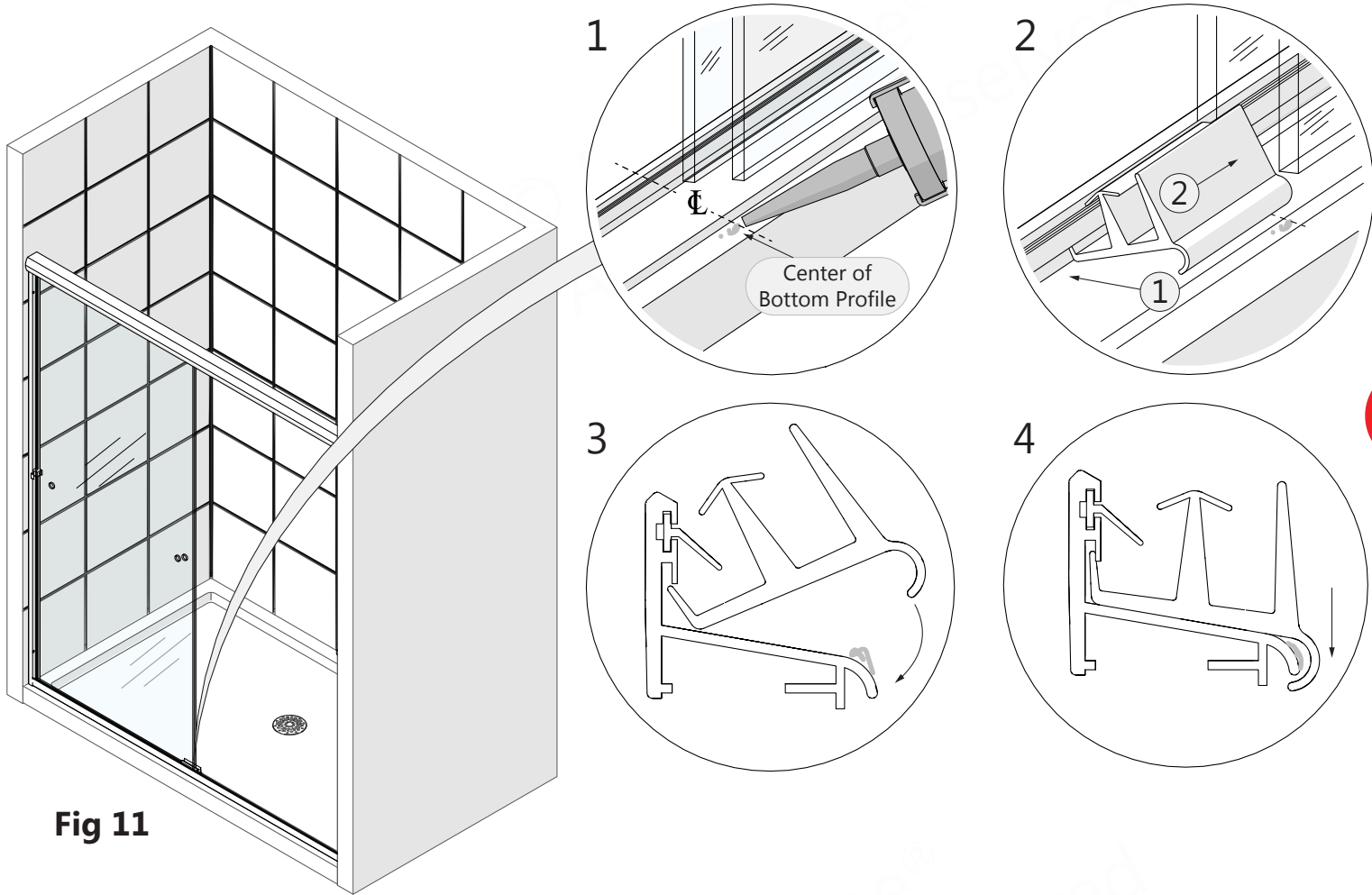
Fig 10

**Tools Needed**



**11**

**Center Guide Installation**



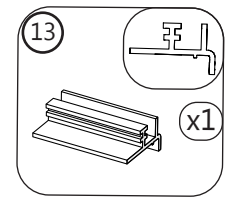
**Fig 11**

**NOTE**  
 Insert front lip into Bottom Profile, slide to center (over silicone) and snap down.

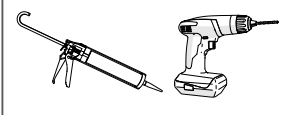
**NOTE**

Place the **Center Guide (#13)** on the **Bottom Profile (#06)** as shown, to one side of both doors. Insert the front lip of the **Center Guide** into the slot on the inside of the **Bottom Profile** and snap the **Center Guide** down over the inside of the **Bottom Profile**. Move the installed **Center Guide** to the center of the **Bottom Profile**, halfway beneath the door glass. As an option, drill a  $\text{Ø } 1/8''$  hole through the **Center Guide** and into the **Bottom Profile**. Install a **ST4.0x10mm Pan Head Screw (#05)**. **Fig 11**

**Parts Needed**



**Tools Needed**



12

# Towel Bar and Knob Handle Installation

**NOTE**

Install the **Towel Bar (#15)** through the two holes in the **Outside Door Glass (#09)**, using gaskets on both sides of the glass. The provided Allen wrench can be inserted into the holes in the bolt heads for tightening. **Fig 12a**

**NOTE**

If the model being installed contains two **Towel Bars (#15)**, install both of them now.

**NOTE**

If the model being installed contains one **Towel Bar (#15)** and one **Knob Handle (#14)** install the **Knob Handle** in the single hole in the **Inside Door Glass (#08)** with the knob facing the inside of the shower. The gaskets install on both sides of the glass. The provided Allen wrench can be inserted into the hole in the bolt head to help tighten the knob. **Fig 12b**

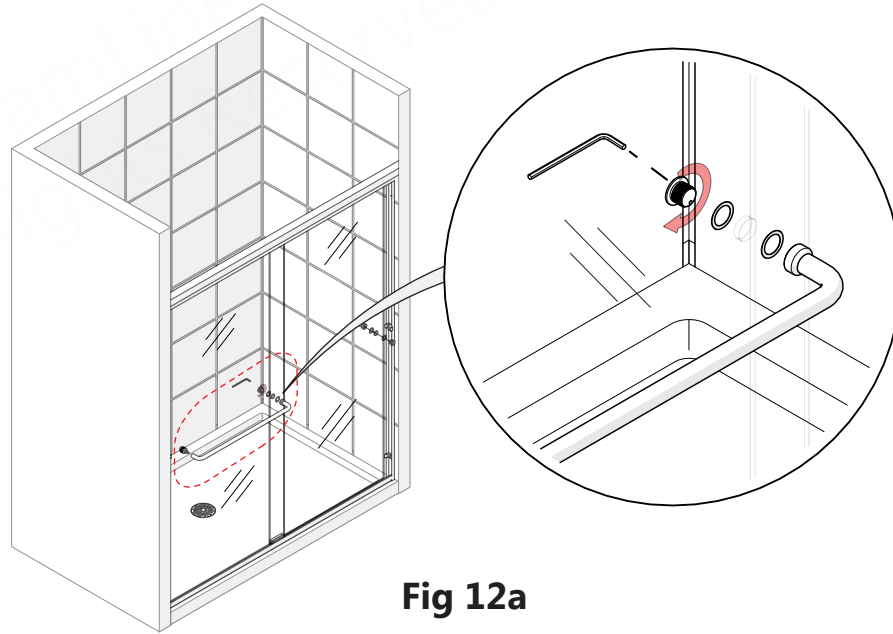


Fig 12a

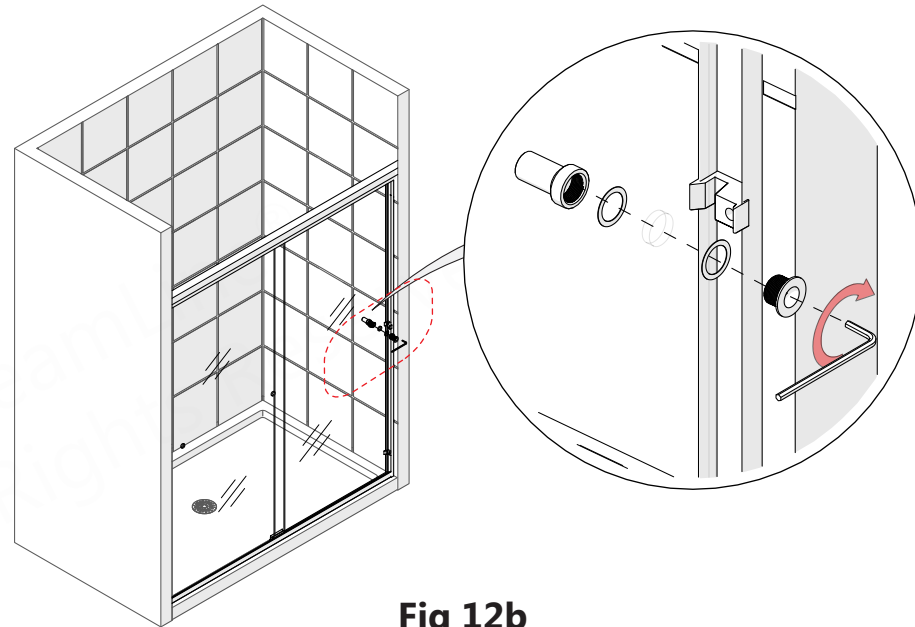
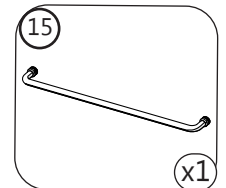
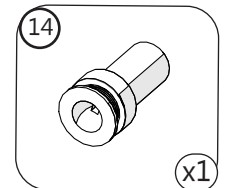


Fig 12b

**Parts Needed**



**Tools Needed**



13

# Anti-Jump Insert Installation

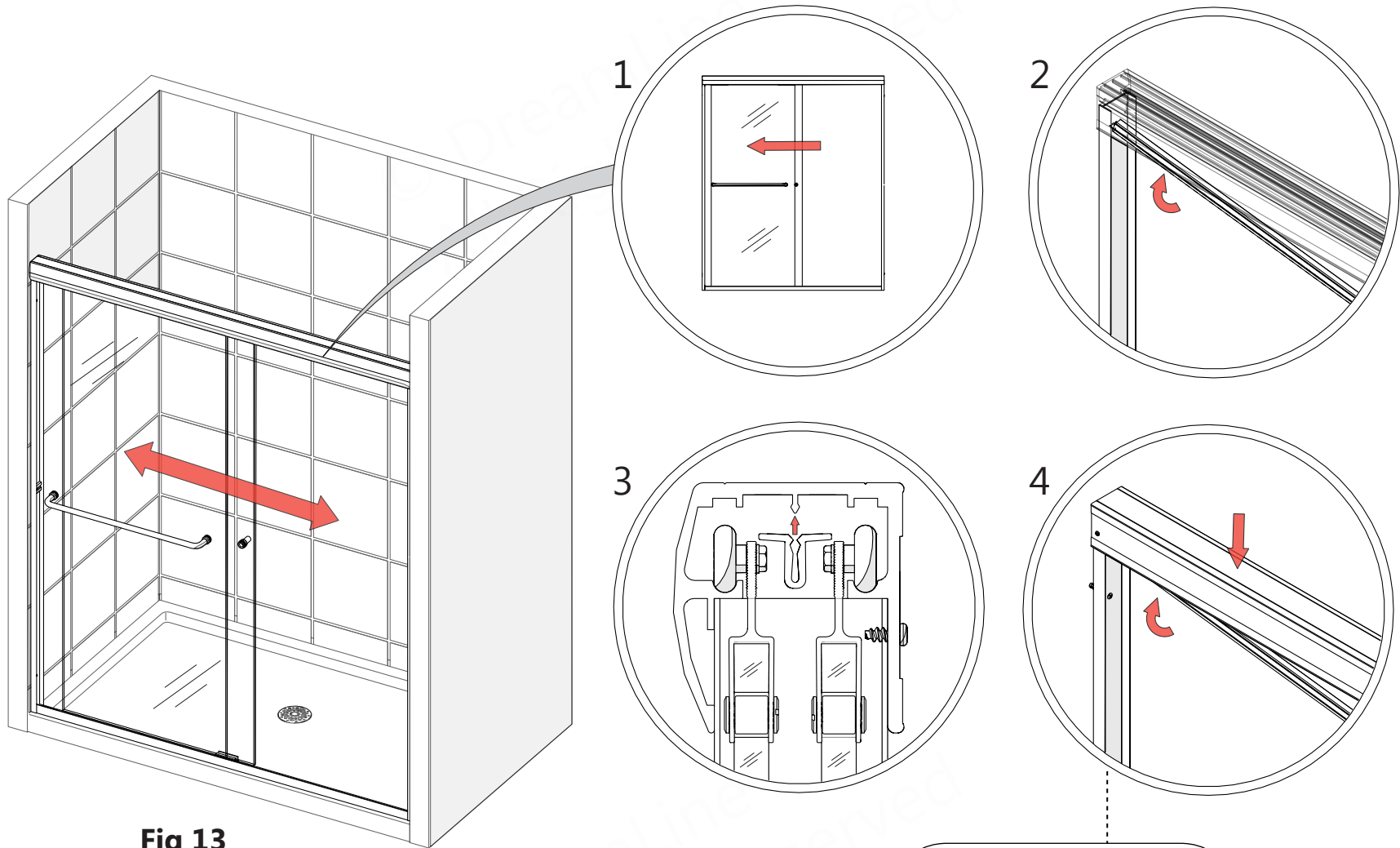


Fig 13

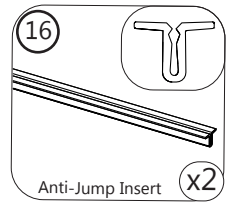


Apply pressure from the top of **Top Guide Rail (#07)** while attempting to snap the **Anti-Jump Inserts (#16)** into position.



First, move both panels of **Door Glass (#08/09)** to one side. Next, insert and snap the first Anti-Jump Insert (#16) into position; sliding it to the end of the **Top Guide Rail (#07)**. Lastly, move both panels of **Door Glass (#08/09)** to the opposite side to allow clearance for the installation of the second Anti-Jump Insert (#16).

**Parts Needed**





14



The surfaces need to be clean and free of debris before applying silicone.

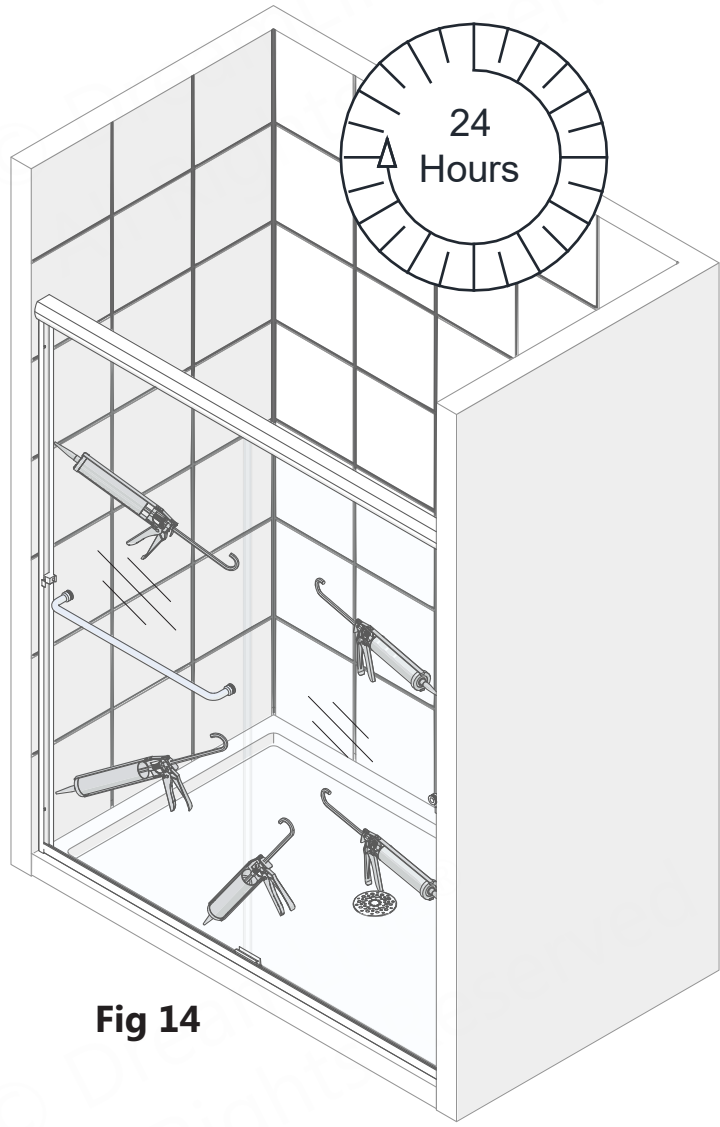


Fig 14



Allow 24 hours for the silicone to cure before using shower.



## Product Maintenance

**BASES and BACKWALLS:** To ensure long lasting life for your acrylic back walls: wipe them off after each use with a soft cloth. To clean the acrylic back walls use non-abrasive sprays or cream based cleaners. Avoid the use of aerosol spray cleaners. Never use abrasive cleansers, metal brushes or scrapers that could permanently scratch or dull the surface.

**GLASS:** To ensure long lasting life for your glass shower products: wipe them off after each use with a soft cloth. Rinse and wipe off the glass using either a soft cloth or a squeegee to prevent soap buildup and water spots (Hard water can etch the surface of the glass over time if left to dry). To prevent scratching the surface: never use abrasive cleaners or cleaning products that contain scouring agents. Never use bristle brushes or abrasive sponges that may scratch the surface of the glass.

**HARDWARE:** To ensure a long lasting finish: wipe off all metal parts after each use with a soft cloth. Do not use abrasive cleaners or cleaning products containing ammonia, bleach or acid. If accidentally used, rinse the surface as soon as possible to prevent damage to the finish (peeling or corrosion). After cleaning the polished finishes, rinse thoroughly and wipe dry with a soft clean-cloth.

Clean stainless steel surfaces at least once a week. When applying stainless steel cleaner or polish to stainless steel hardware, work with the grain (not across the grain). Never use an abrasive sponge or cloth, steel wool or wired brush as these may permanently scratch the surfaces.



**To maximize the life of your door, it is important to regularly inspect the glass and other hardware for misalignment, proper attachment, and/or damage. Contact DreamLine® with any questions or concerns.**

### **ALLIANCE PRO - HV Maintenance Checklist**

- Check that the unit is stable, operates smoothly and that installation is secure.
- Confirm that all screws/bolts are tight.
- Confirm that all vinyl seals are intact (replace if missing or damaged to prevent water leakage.)
- Inspect exposed and concealed glass edges for damage **(damaged glass must be replaced!)**
- Inspect silicone caulk for gaps. Replace silicone as necessary to prevent water leakage.

# Troubleshooting

Problem/Symptom	Suggested Solution	Page(s)
Missing Parts	<ul style="list-style-type: none"> <li>•Check all shipping/packaging material for missing parts/components.</li> <li>•If not found, contact DreamLine Customer Support [1-866-731-2244] to order factory part replacement.</li> </ul>	—
Water Leakage	<ul style="list-style-type: none"> <li>•Check that the Inside Door Glass closes against the shower head side of the shower.</li> <li>•Confirm the vinyl insert is installed properly in the Bottom Rail. (<b>NOTE:</b> The vinyl insert is pre-installed into the <b>Bottom Profile (#06).</b>)</li> <li>•Direct the shower head/water flow away from the area.</li> <li>•Check that a good quality, mold-resistant silicone has been used around the entire interior perimeter of the shower door.</li> </ul>	3; 14-16
<b>Door Glass (#11)</b> rubbing on threshold	<ul style="list-style-type: none"> <li>•Check that the threshold is level.</li> <li>•Check that the Roller Wheels are tight and secure. Carefully remove the Door Glass and adjust the Roller Wheels, if necessary.</li> </ul>	9-10; 19
<b>Door Glass (#11)</b> is not closing evenly with the <b>Wall Profiles (#01)</b>	<ul style="list-style-type: none"> <li>•Carefully remove the Door Glass with a helper and adjust one or both Roller Wheels to align the edge of the Door Glass with the Wall Profile (#).</li> </ul>	16
<b>Door Glass (#11)</b> not tracking smoothly through the <b>Center Guide (#13)</b>	<ul style="list-style-type: none"> <li>•Confirm the <b>Center Guide (#13)</b> is installed correctly. If the Center Guide is moving, see instructions to secure the Center Guide to the Bottom Rail with a screw.</li> </ul>	18
<b>Door Glass (#11)</b> not meeting bumpers correctly	<ul style="list-style-type: none"> <li>•Verify that all Bumpers are installed in the correct orientation and are installed on the correct sides of the shower opening</li> </ul>	10
<b>Door Glass (#11)</b> binds against Vinyl Insert in the Bottom Rail	<ul style="list-style-type: none"> <li>•Check the distance between front of either Door Glass and the Bottom Rail, then move the Door Glass to the other side of the shower and check the same measurement. If different, the <b>Wall Profiles (#01)</b> may need to be adjusted or reinstalled.</li> </ul>	10



Prior to contacting DreamLine® Customer Service, please have the following information readily available:

- Purchase Order Information
  - Name, PO Number, Dealer/Vendor Name, etc.
- SKU/Model Number

**NOTES**

© DreamLine®  
All Rights Reserved

© DreamLine®  
All Rights Reserved

# NOTES

© DreamLine®  
All Rights Reserved

© DreamLine®  
All Rights Reserved



---

---

TEL: 866-731-2244  
FAX: 866-857-3638  
DREAMLINE.COM



For more information on DreamLine® Shower Doors and Enclosures please visit **DreamLine.com**