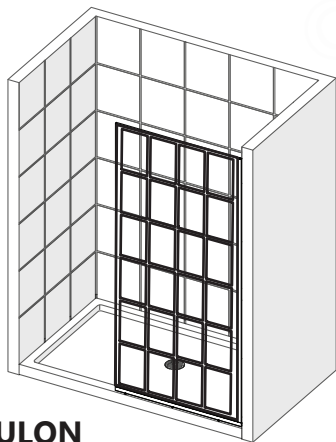


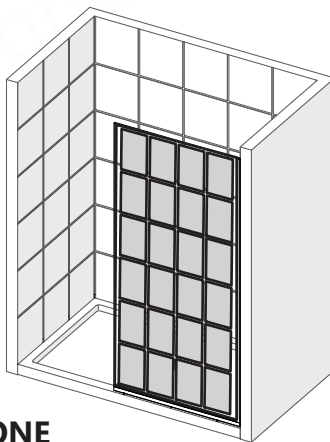
# FRENCH LINEA

## SHOWER PANEL INSTALLATION INSTRUCTIONS

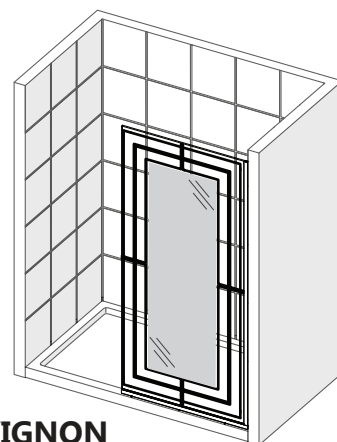
PLEASE REVIEW THIS ENTIRE MANUAL PRIOR TO INSTALLATION



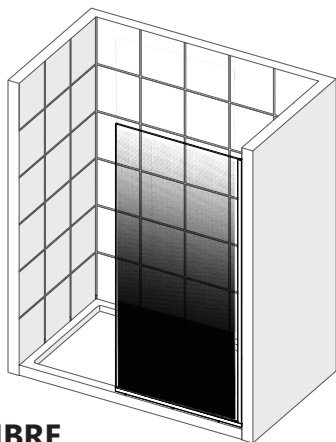
**TOULON**  
SHDR-3234721-89



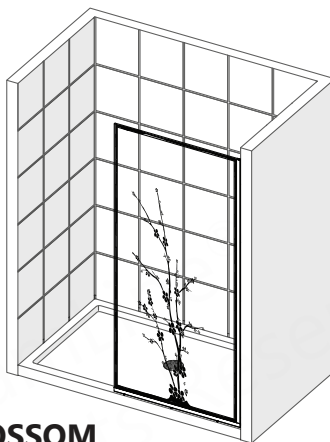
**RHONE**  
SHDR-3234721-87



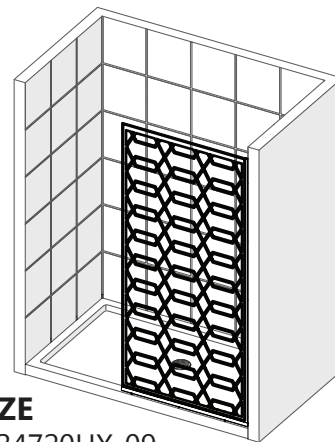
**AVIGNON**  
SHDR-3234721-86



**OMBRE**  
D3234720PXB-01 (chrome)  
D3234720PXB-09 (satin black)



**BLOSSOM**  
D3234720ZNB-09  
right wall installation shown



**MAZE**  
D3234720HX-09

**IMPORTANT!**

DreamLine<sup>®</sup> reserves the right to alter, modify or redesign products at any time without prior notice for the purpose of product improvement and customer experience. Please refer to the model's web page on **DreamLine.com** for the latest technical drawings, installation manuals, warranty information or additional product details.

**Do Not Return Product to the Store. Contact DreamLine<sup>®</sup> with any questions**



**Questions?**

Please Call **DreamLine** Customer Support: **1-866-731-2244**  
Hours of Operation M-F 8AM - 6PM EST

**Support@DreamLine.com**





**This model is treated with DreamLine’s exclusive ClearMax™ Glass technology. This is a specially formulated coating that prevents the build up of soap and water spots.**

**Install the surface with the ClearMax™ label towards the inside of the shower. Please note that depending on the model, the glass may be coated on either one or both surfaces.**

**For best results, squeegee the glass after each use and dry with a soft cloth.**

Record the following purchase information for your records or in the event you need to contact DreamLine®:

Purchase Order Number \_\_\_\_\_

Store/Vendor Purchased From \_\_\_\_\_

Installation Date \_\_\_\_\_

OD Number (optional) \_\_\_\_\_  
located on the shipping box or label if available.







Installed By: \_\_\_\_\_

SKU Number \_\_\_\_\_

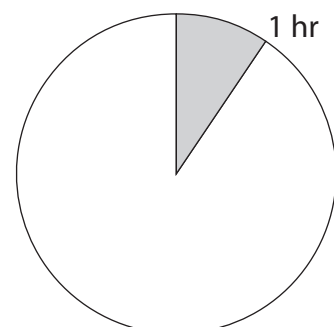
# Table of Contents

Section Title	Page #
ClearMax™ Coating Information	—
Warnings and General Preparation	2
Model Specific Preparation	3
Tools	4
Detailed Diagram of Shower Panel Glass Components	5
Parts List	6
Model Diagram	7
Installation Steps	8-22
180° Strike Vinyl Installation	15,16
Product Maintenance	23
Troubleshooting	24
Factory Parts Information	25-26

## Symbol Legend

	<b>TIP</b> - for ease of installation.		<b>CORRECT</b> - recommended.
	<b>NOTE</b> - take note of special feature; additional information.		<b>INCORRECT</b> - not recommended.
	<b>REQUIRED</b> - requires special attention; signifies a warning.		<b>INLINE PANEL MODEL ONLY</b> - denotes special instruction for the inline panel installation only.

Average Installation Time





**IMPORTANT**

- DreamLine® reserves the right to alter, modify or redesign products any time without prior notice for product improvement and customer experience. Please refer to the model's web page on [DreamLine.com](http://DreamLine.com) for the latest technical drawings, installation manuals, warranty information or additional product details.
- This product should be installed by someone familiar with the construction requirements for this type of project and the care necessary for the safe installation and operation of the product.
- The safety of any installation is the responsibility of the installer.
- Professional installation recommended. *(All Models)*
- Professional installation required. *(Enigma Series)*
- To prevent damage or serious injury, Do Not lean against the installed panel/door/glass.
- To prevent damage or serious injury: Do Not attempt to lift or move a heavy lite of glass alone. Use an assistant and/or a professional grade glass suction cup.
- The installation of some models may require drilling down into the threshold. Contact the manufacturer of the base, tub, or threshold material with any questions regarding the drilling of holes into their product.
- All drawings in this installation manual are for illustrative purposes only and are not drawn to scale.

**TEMPERED GLASS WARNING**

- Your Shower Door Glass Could Shatter Without Warning if Improperly Installed or Mishandled
- Do Not install or operate a shower door if the glass has chipped corners, slivered edges or is otherwise damaged and/or has been dropped or banged into a hard surface such as tile, marble or glass.
- **The main causes of tempered glass breakage are:**
  - Improper handling, storage or installation
  - Misuse/abuse
  - Lack of maintenance
  - Failure to replace damaged glass
  - **Improper handling during storage, unpacking and installation:**
  - Corners and edges are the most susceptible area to damage on a lite of tempered glass and should be protected and handled with care during storage, unpacking, installation and operation. A concentrated point of pressure or impact with a surface harder than itself may cause the tempered glass to shatter. The tempered glass may release immediately, within several hours or even days later.
  - **Incorrect installation of door hardware, rollers, hinges, channels, stopper or glass:**
  - Improper installation may include: loose hardware and/or lack of proper gaskets between the hardware and glass. Additionally, improper alignment of guide rails, wall profiles or other hardware during installation or operation may place stress on the glass edges and cause it to break.
  - This product must be installed by a professional and experienced installer familiar with the safe handling of tempered glass.
  - **Improper use of this product:**
    - Aggressively opening or closing the door may cause trauma to the glass, which can lead to breakage. This may occur immediately or hours or even days later.
    - **The shower door hardware and glass should be inspected periodically:**
      - Instruct the homeowner how to perform a periodic inspection of the shower hardware and glass - some minor adjustments may be necessary based upon the use (or misuse) of the shower door. Ensure that the hardware remains tight and that the door alignment and operation are correct. Any adjustments should be made upon discovery to prevent damage to the product.
      - Additional considerations should be given to the installation of frameless tempered glass products in households with young children or an elderly person due to an increased chance of improper handling. In such cases, alternatives such as shower curtains or grab bars should be considered.

**GENERAL PREPARATION**

- After opening all boxes and packages, read this introduction carefully. Check that all the items are included in the package by marking off the components on the **"Detailed Diagram of Product Components"** page. Examine all boxes and packages for shipping damage. If the unit has been damaged, has a finishing defect, or is missing parts; please contact our Customer Support department within 3 business days of the delivery date. **Please note that DreamLine® will not replace any damaged products or missing parts free of charge after 3 business days or if the product has been installed.** Please contact DreamLine® if you have any questions.
- **Please note that you should refer to your local building codes with questions on installation compliance standards. Building and plumbing codes may vary by location, and DreamLine® is not responsible for code compliance standards for your project and will not accept any returns.**
- If this unit is going to be installed in a new construction, install all the required plumbing and drainage before installing the shower. **Use a competent and licensed (if required by local code) plumber for all plumbing installation.**
- Make sure that prior to beginning the installation, the surfaces are leveled and solid and will be able to support the total weight of the unit. Also make sure the walls are at right angles. Irregular installation surface level, radius corners or improper angle of side walls will result in serious problems for your installation. Please note that some adjustments and drilling will be necessary during the installation process.
- Protect all primary surfaces of the product during installation. Never set your glass down directly onto a tile floor. Leave corner protectors in place until it is necessary to remove them. Always use a piece of wood or cardboard to protect the bottom edge and corners of the glass prior to and during installation.
- This unit must be installed upon a finished threshold and against finished walls.
- *DreamLine® shower doors are not designed to be installed into a fiberglass surround due to the radius corners and lack of a solid surface to mount the hardware.*

**WARNING: TO AVOID THE RISK OF DAMAGE OR INJURY:**

- **Follow all recommendations and requirements as shown in the installation instructions.**
- Perform a thorough inspection of the glass and all parts for any damage prior to installation. Any damage to tempered glass can cause breakage. **Do Not install damaged glass!**
- Do Not install or operate a shower or tub door if the glass has chipped corners, slivered edges or is otherwise damaged. Do Not install or operate a shower or tub door that has been dropped or banged into a hard surface such as tile, marble or glass.
- **CAUTION:** Contact with any hard surface can damage tempered glass and cause it to shatter.
- This product uses tempered glass. Glass cannot be cut after it has been tempered. **Do Not attempt to cut tempered glass.**
- DreamLine® Glass Shower doors, Tub doors, Inline panels, and Return panels can shatter due to improper handling or lack of maintenance. Conduct periodic inspections of glass and all parts for possible damage, missing or loose parts.
- Always wear proper safety equipment such as: safety goggles, work gloves and appropriate footwear during the installation process.
- **WARNING. Risk of leakage and/or damage.** Follow all instructions regarding the application of silicone sealant or caulk. Allow 24 hours for the sealant to cure before the initial use of the shower or tub product. Follow the silicone manufacturer's recommendations regarding the use of their product.
- **Thoroughly read these instructions before installing or using this product.**
- **Leave this manual for the end-user of the product.**



This product should be installed by someone familiar with the construction requirements for this type of project and the care necessary for the safe installation and operation of the product.



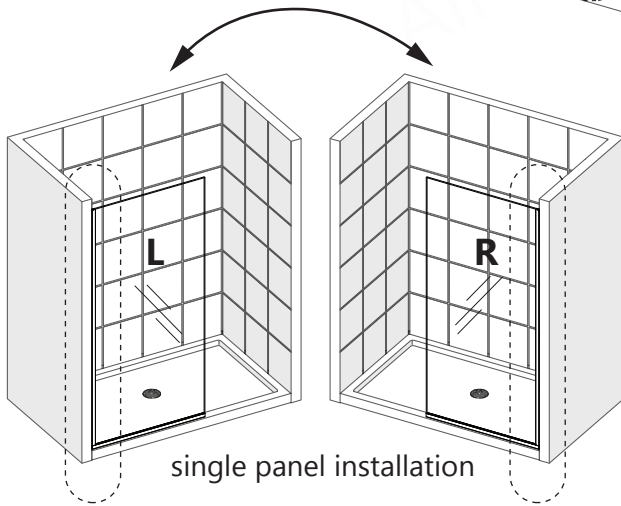
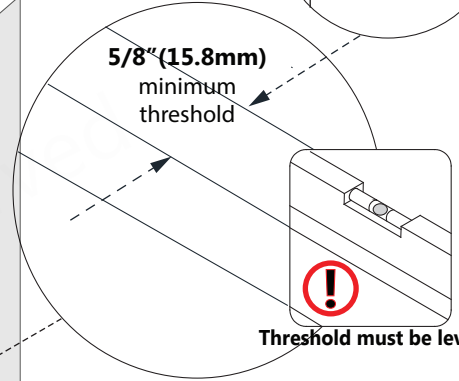
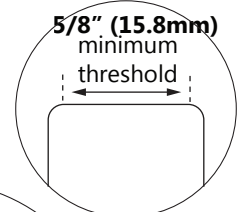
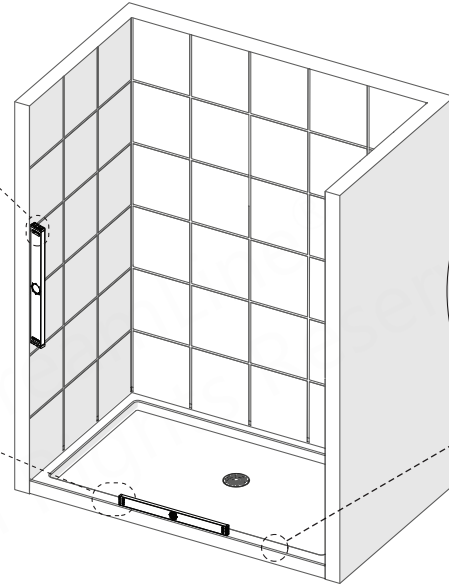
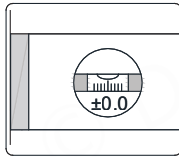
# Model Specific Preparation



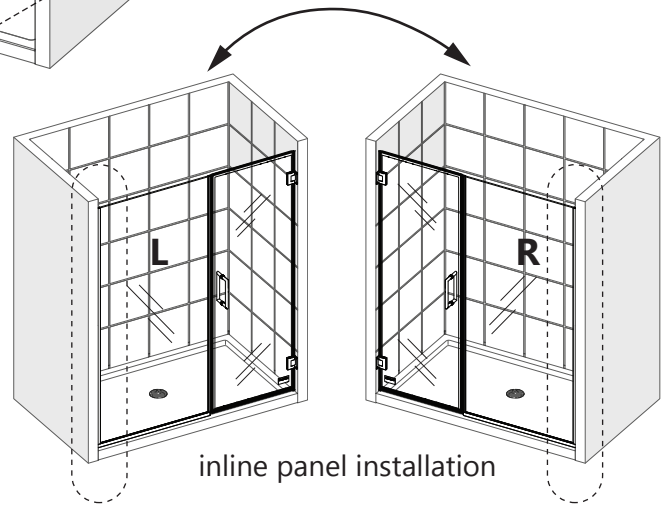
## REQUIRED:

**1/2" (12.7mm) Out-of-Plumb Adjustment on the Vertical U-Channel Only; Verify threshold and walls with a level**

**Threshold must be level**



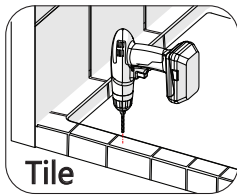
single panel installation



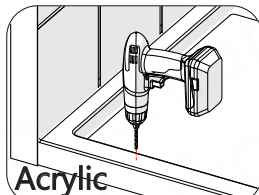
inline panel installation



**This model is reversible for right or left-hand panel installation. The right-hand panel installation is shown as an example throughout this manual. For the left-hand panel installation, simply begin on the opposite wall and reverse the orientation of the steps shown.**



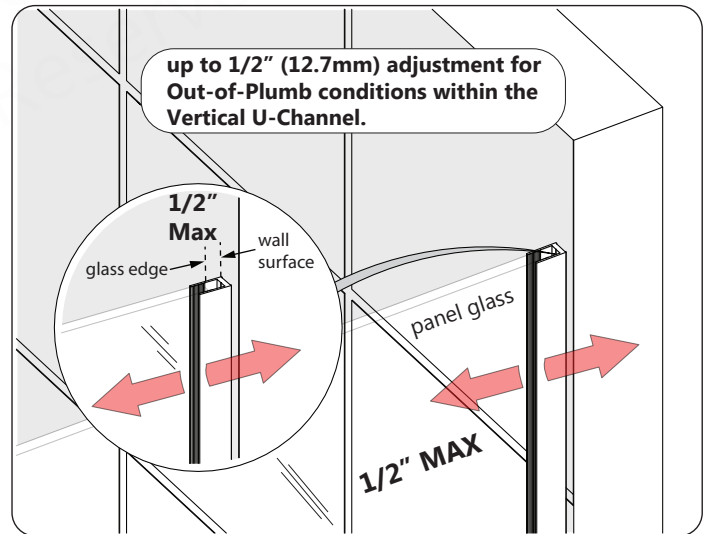
Tile



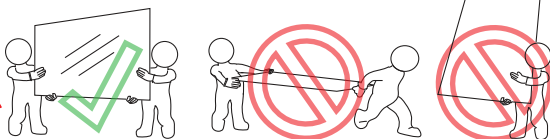
Acrylic



**Contact the manufacturer of the base or threshold material with any questions regarding the drilling of holes into their product.**



right-hand panel glass installation shown

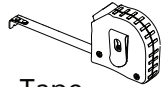


**Professional installation by two installers is recommended for this product.**

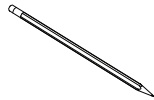
# Tools



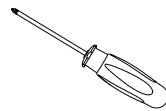
Level



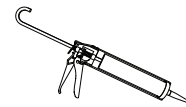
Tape Measure



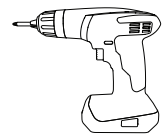
Pencil



#2 Phillips Screwdriver



Silicone



Power Drill



Drill Bit  
Ø1/8"  
(3mm)



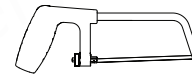
Drill Bit  
Ø5/16"  
(8mm)



#2 Phillips Driver Bit

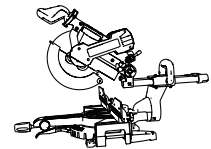


Extender Driver Bit

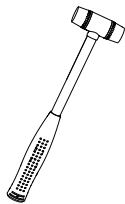


Hacksaw

OR



Miter Saw



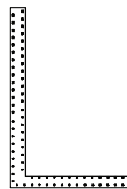
Soft Head Hammer



Safety Glasses



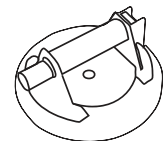
Work Gloves



Carpenter's Square



Razor Knife



Professional-Grade Glass Suction Cup (optional but recommended)



Verify that the correct model size has been ordered; measure the finished opening **before** proceeding with the installation.

Confirm that the finished walls are plumb and the threshold is level and pitched into the shower area.

**Use a good quality waterproof, mildew-resistant 100% silicone.**

Cover the shower/tub drain with tape prior to installation to prevent the loss of screws or small parts.

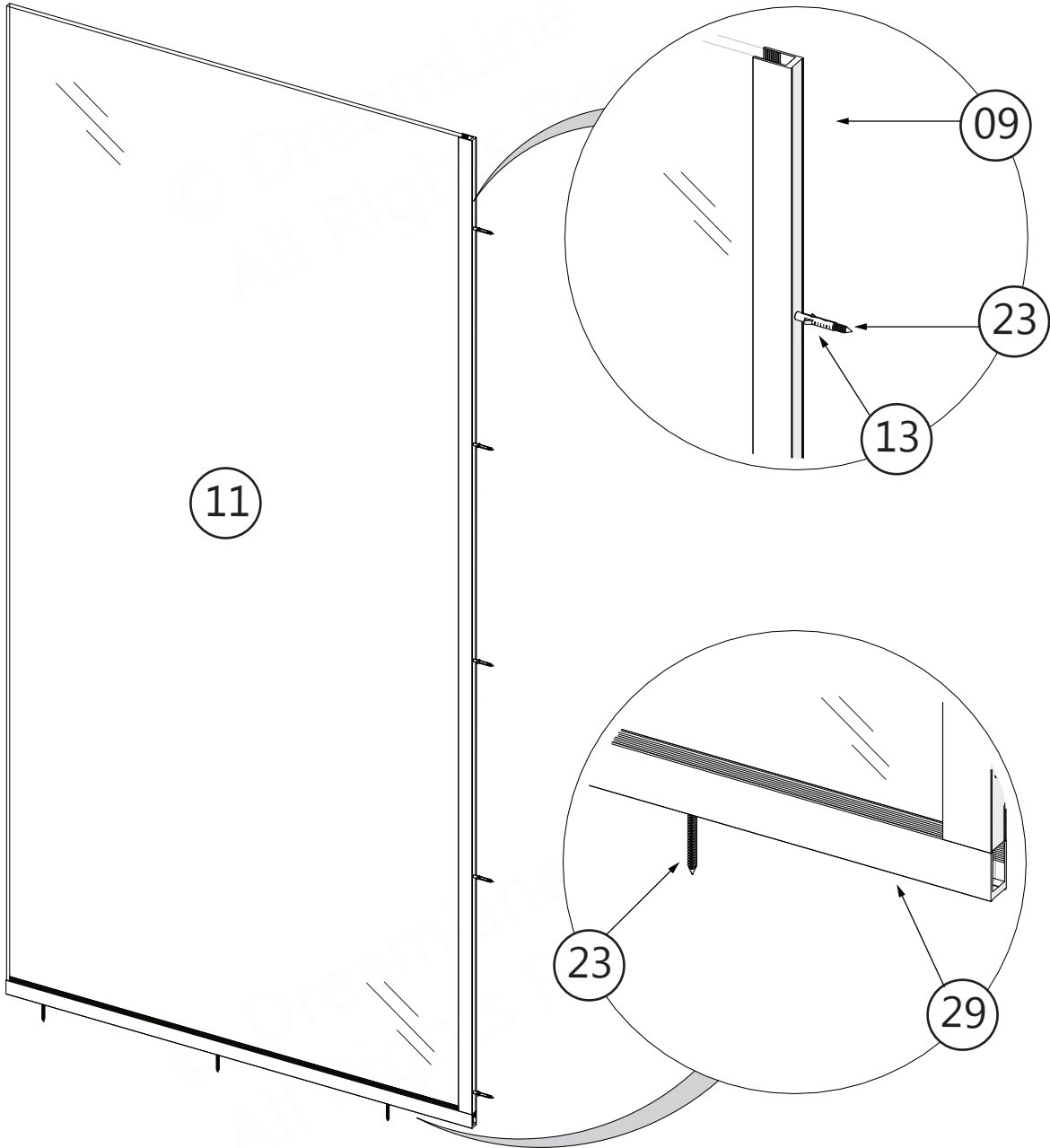
To prevent stripping the screw heads, set the screw gun clutch to a low setting when installing screws and bolts.

Use a type of drill bit that is appropriate for drilling into the finished surface material.



Unpack your unit carefully and inspect it. Lay it out and identify all parts using the **Detailed Diagram** on page 5; and packing list in this manual as a reference. Before discarding the carton, check for small hardware bags that may have fallen to the bottom of the box. If any parts are damaged or missing, please contact DreamLine® for replacement. The shipping boxes may contain extra parts not used in your model configuration. Retain these installation instructions for future reference.

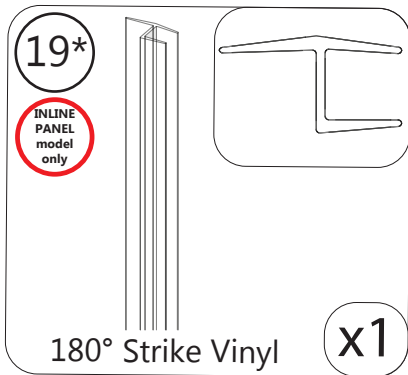
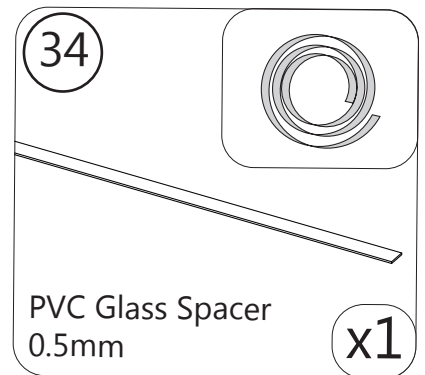
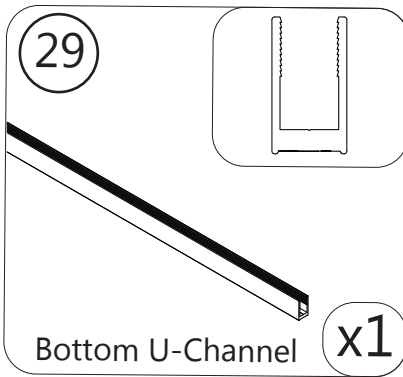
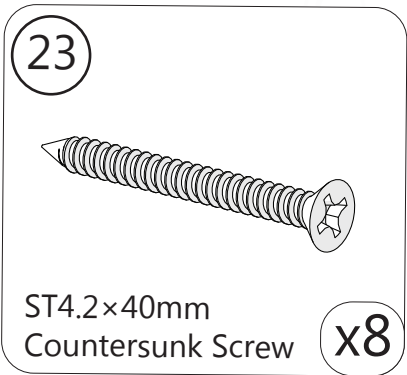
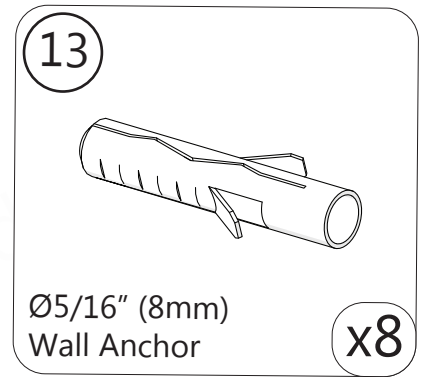
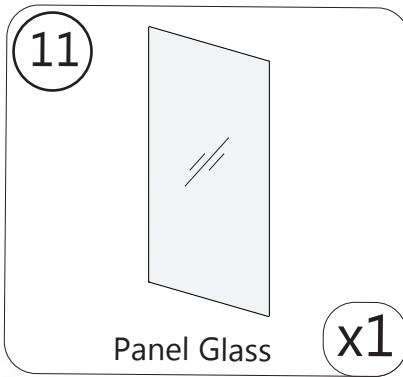
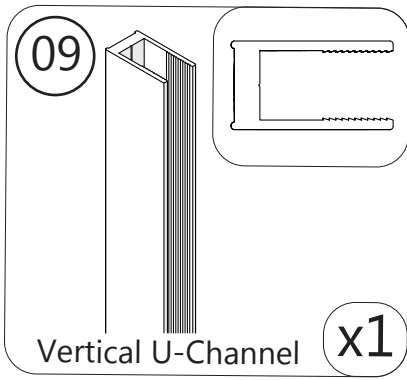
# Detailed Diagram of Shower Panel Glass Components



right wall panel installation shown



# Parts List

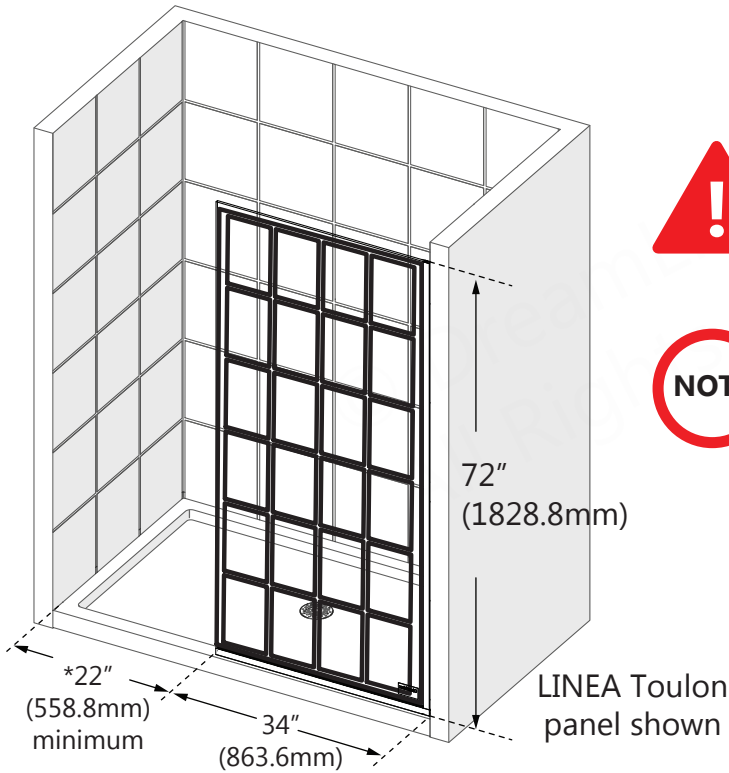


**\*180° Strike Vinyl (#19)** is currently only packaged with the Unidoor Edge door glass and is used with door and inline panel glass configuration only; 180° Strike Vinyl is not used with the single panel installation.



# Model Diagram

## 34" (863.6mm) Single Panel Installation



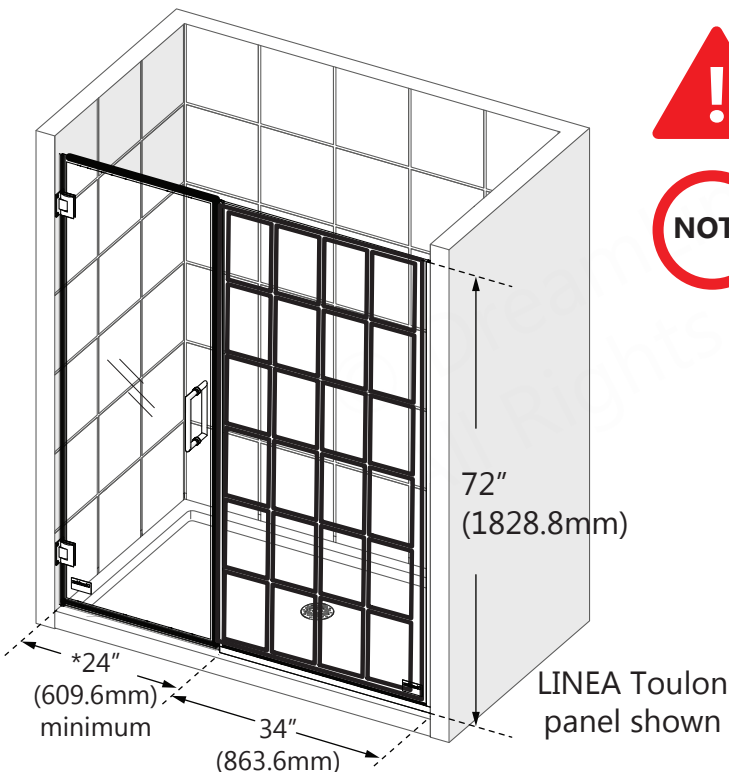
**\*22" (558.8mm) minimum access space recommended when installed as a Single Panel**



It is recommended to install this 34" x 72" (863.6 x 1828.8mm) single panel into a finished opening (no less than 56" (1422.4mm)) that will allow for at least 22" (558.8mm) of unobstructed access into the shower area.

## 34" (863.6mm) Inline Panel Installation

**Install the door first**



**\*24" (609.6mm) minimum space is required for the door when installed as an Inline Panel (58" overall finished opening)**



**When installing the French Linea as an Inline Panel, install the shower door first, then follow the steps that are designated with the symbol for "Inline Panel model only"**

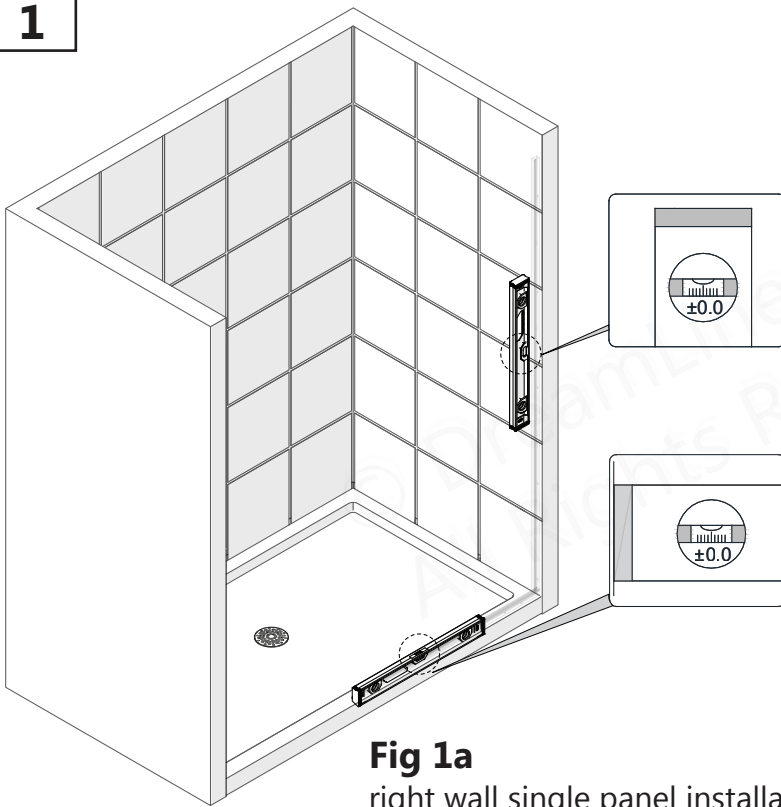
**INLINE PANEL model only**

Refer to the Single Shower Door installation manual included in the door packaging for complete shower door installation instructions and then follow this Manual for proper alignment and installation of the Inline Panel.

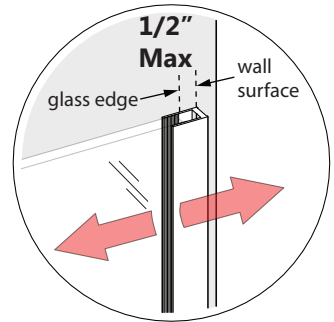
Recheck the finished opening size before beginning the installation. Specific model size information can be found on **DreamLine.com**.

# Installation Steps

1

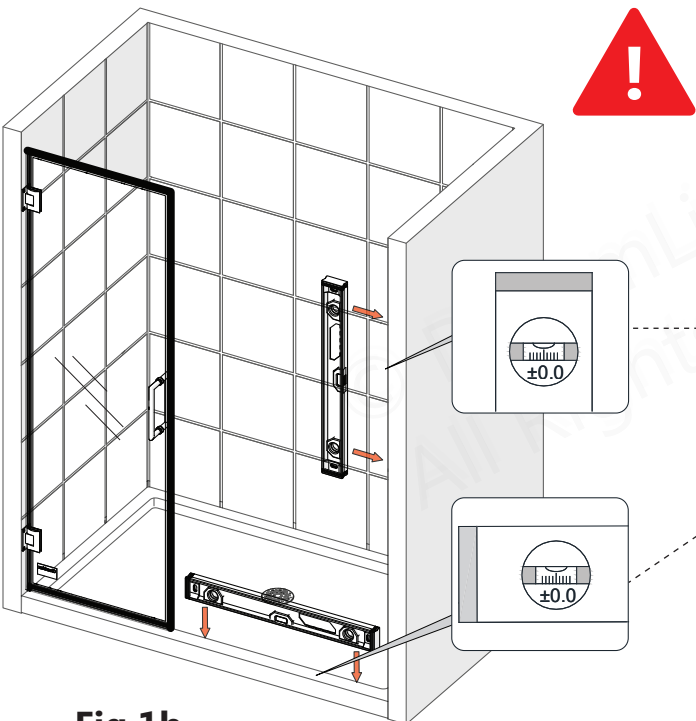


The **Vertical U-Channel (#09)** allows for up to 1/2" (12.7mm) of out-of-plumb adjustment; verify the walls and threshold with a level before proceeding with the installation.



**Fig 1a**  
right wall single panel installation shown

**INLINE  
PANEL  
model  
only**      **Install the  
door first**



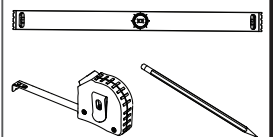
For proper alignment, the UNIDOOR EDGE Shower Door must be installed prior to proceeding with the following Inline Panel Glass installation instructions.

Please see the Single Shower Door Installation Manual packaged with the door glass for complete shower door installation instructions.

Before you begin the installation, recheck the finished opening size, the walls for plumb and the threshold for level. Specific model size information can be found on DreamLine.com.

**Fig 1b**  
UNIDOOR EDGE door shown

## Tools Needed



2

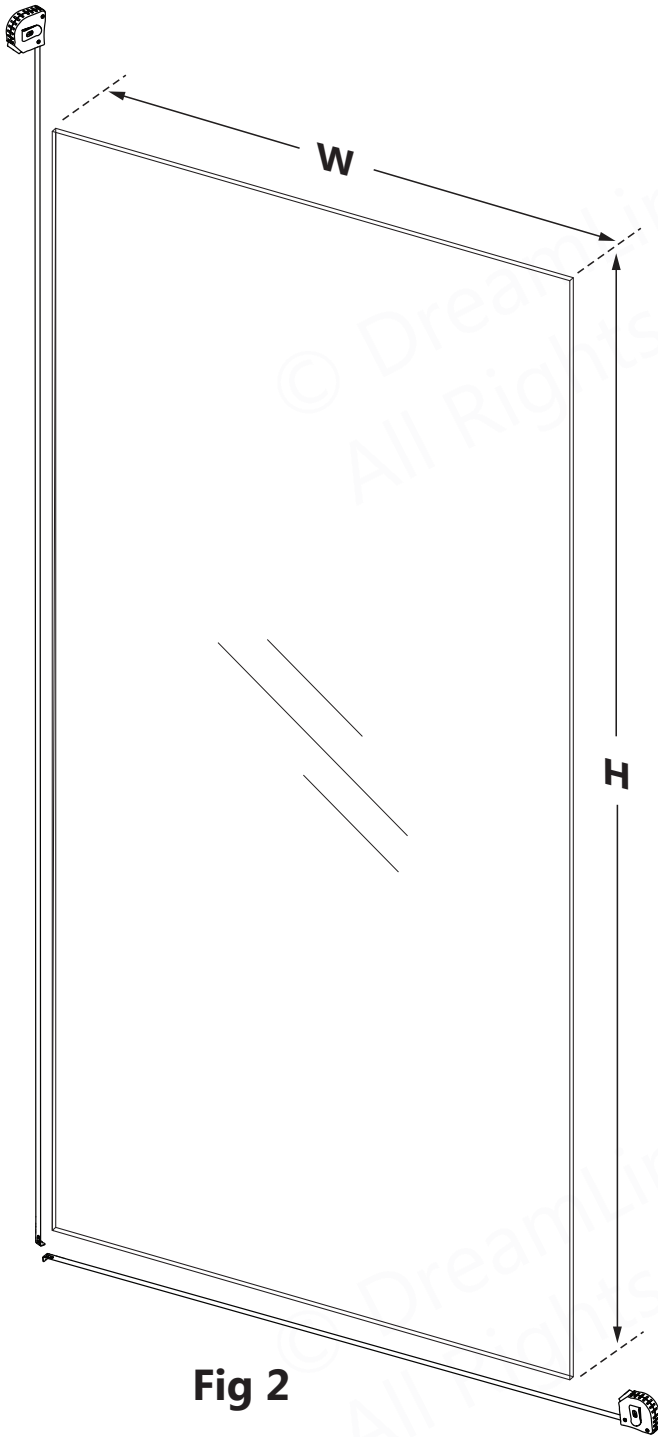
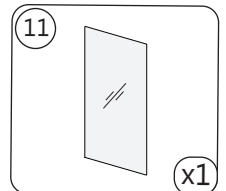


Fig 2

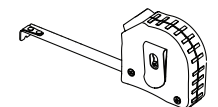
Glass Width (W)

Glass Height (H)

**Parts Needed**



**Tools Needed**



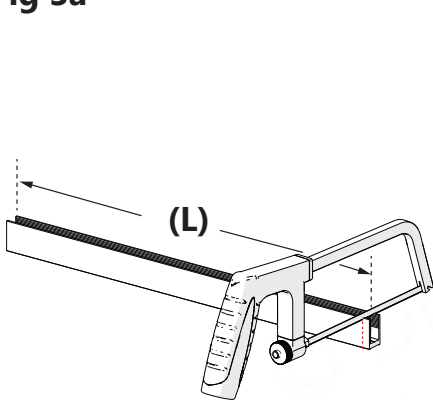
When applicable, patterned glass is designed to be installed with the wider border at the bottom.

3

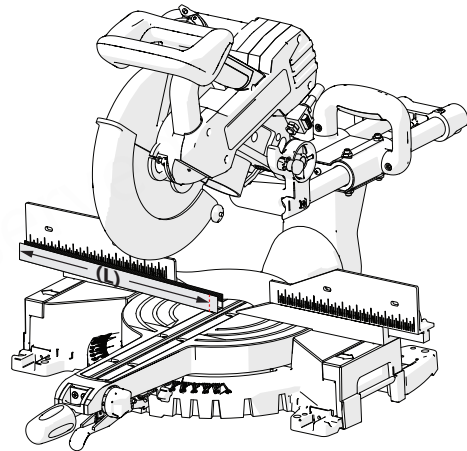
**Cut the Bottom U-Channel to:**

**Glass Width (W) (+) 3/16" = 34" (863.6mm) = (L)\*\*** (see EXCEPTION below)

Fig 3a



OR



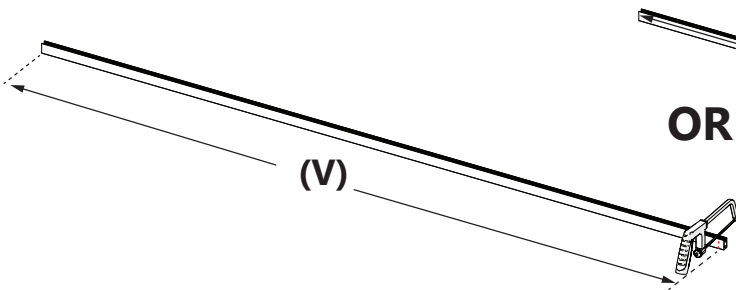
**Cut the Vertical U-Channel to:**

**Glass Height (H) (-) 13/16" = (V)** (for 72" model height, V= 71" (1803.6mm))

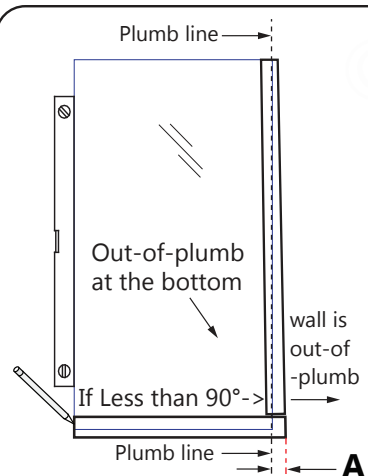
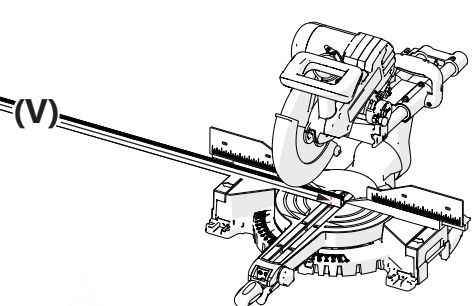
Fig 3b



Cut the Vertical U-Channel to 71" (1803.4mm) for the standard 72" (1828.8mm) model height



OR

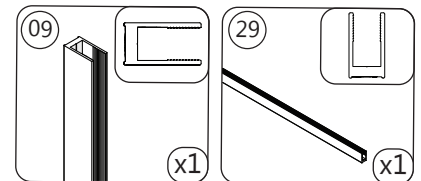


**\*\*EXCEPTION:**

If the wall is out-of-plumb at the bottom, measure that dimension as (A) and add (A) to the finished cut length of the U-channel: (+1/2" (12.7mm) max):

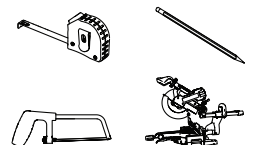
**Glass Width + 3/16" (4.7mm) + (A) = Finished Cut Length (L) for Bottom U-Channel**

**Parts Needed**

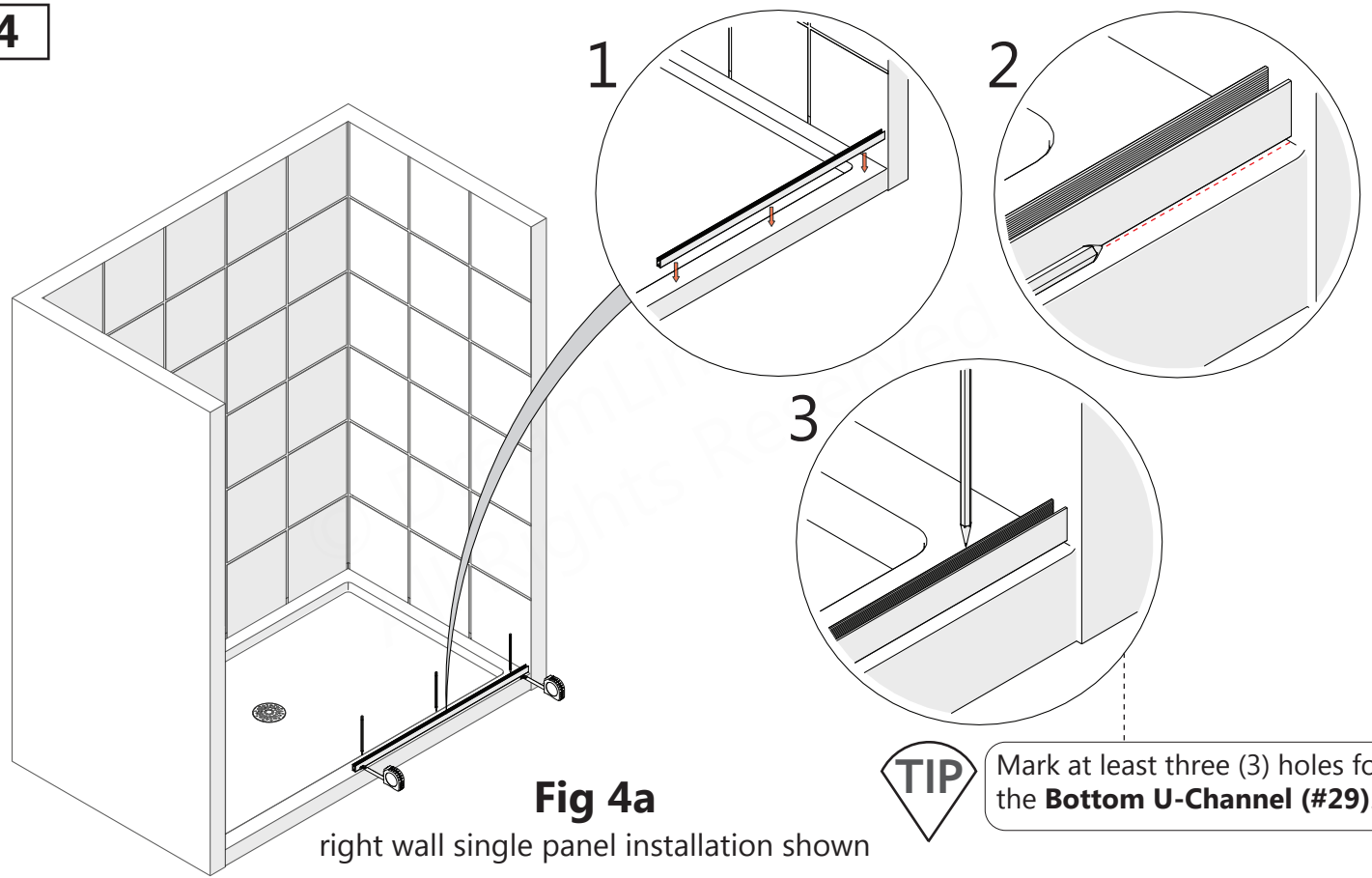


Use a metal file to deburr the cut end

**Tools Needed**

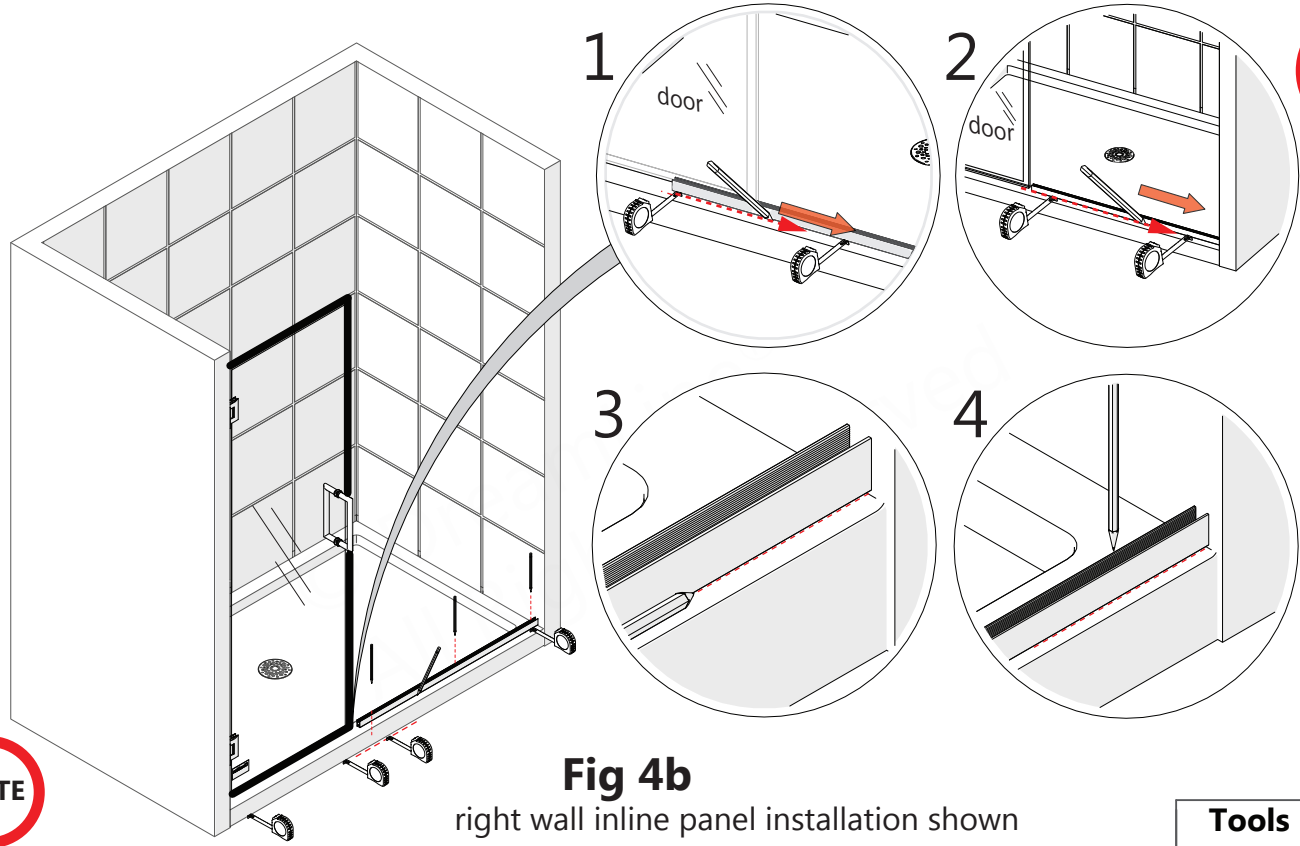


4



**Fig 4a**  
right wall single panel installation shown

**TIP** Mark at least three (3) holes for the **Bottom U-Channel (#29)**.

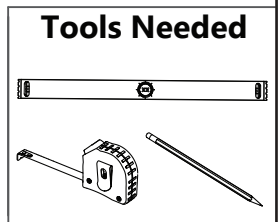


**Fig 4b**  
right wall inline panel installation shown

**INLINE  
PANEL  
model  
only**

**NOTE**

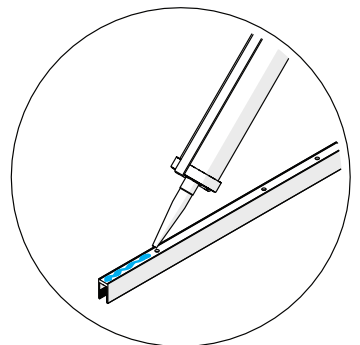
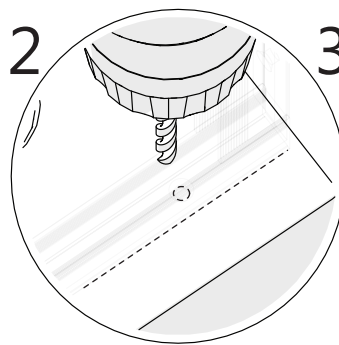
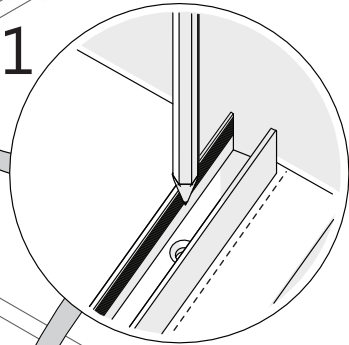
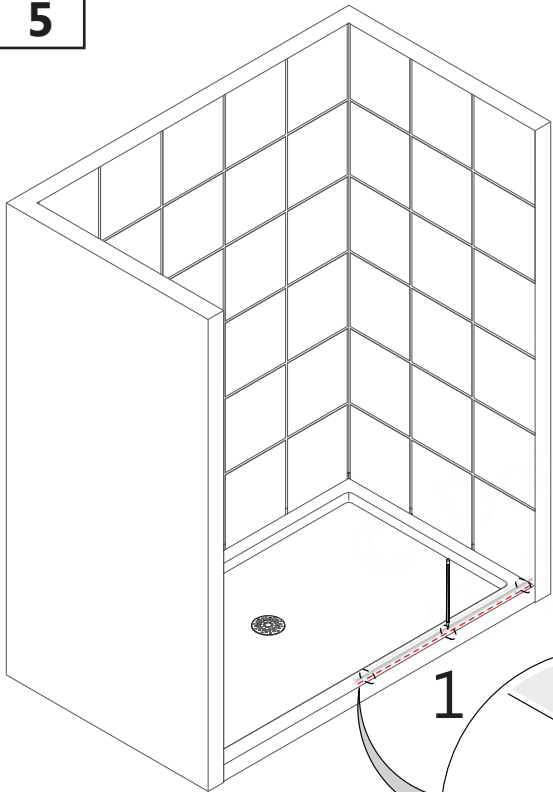
To align the inline panel glass with an installed door: Hold the door glass parallel with the outside of the threshold; place the u-channel onto the bottom of the door glass and slide it towards the panel-side wall. Mark the threshold while maintaining the u-channel alignment with the door glass. (see Fig 4b.1-2)



5

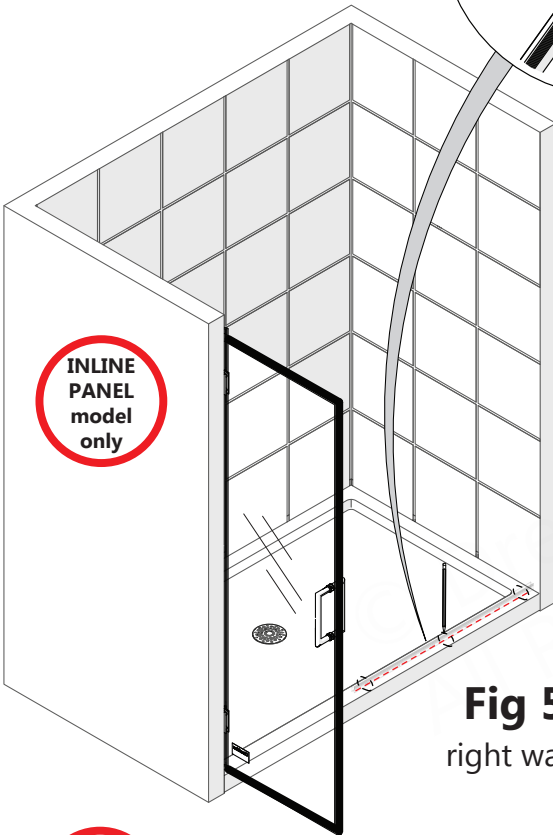
**NOTE**

- For installation into an **Acrylic Threshold**: drill an **Ø1/8" (3mm)** hole and use the **ST4.2 x 40mm Countersunk Screw (#23)**
- OR**
- For installation into a **Tile Threshold**: drill a **Ø3/16" (4.76mm)** hole up to the stud, drill an **Ø1/8" (3mm)** pilot hole into the stud and use the **ST4.2 x 40mm Countersunk Screw (#23)**



**TIP**

For drilling into wall/threshold surfaces, use the appropriate drill bit for the type of surface material



**INLINE PANEL model only**

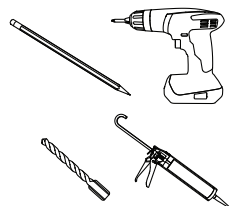
**Fig 5**

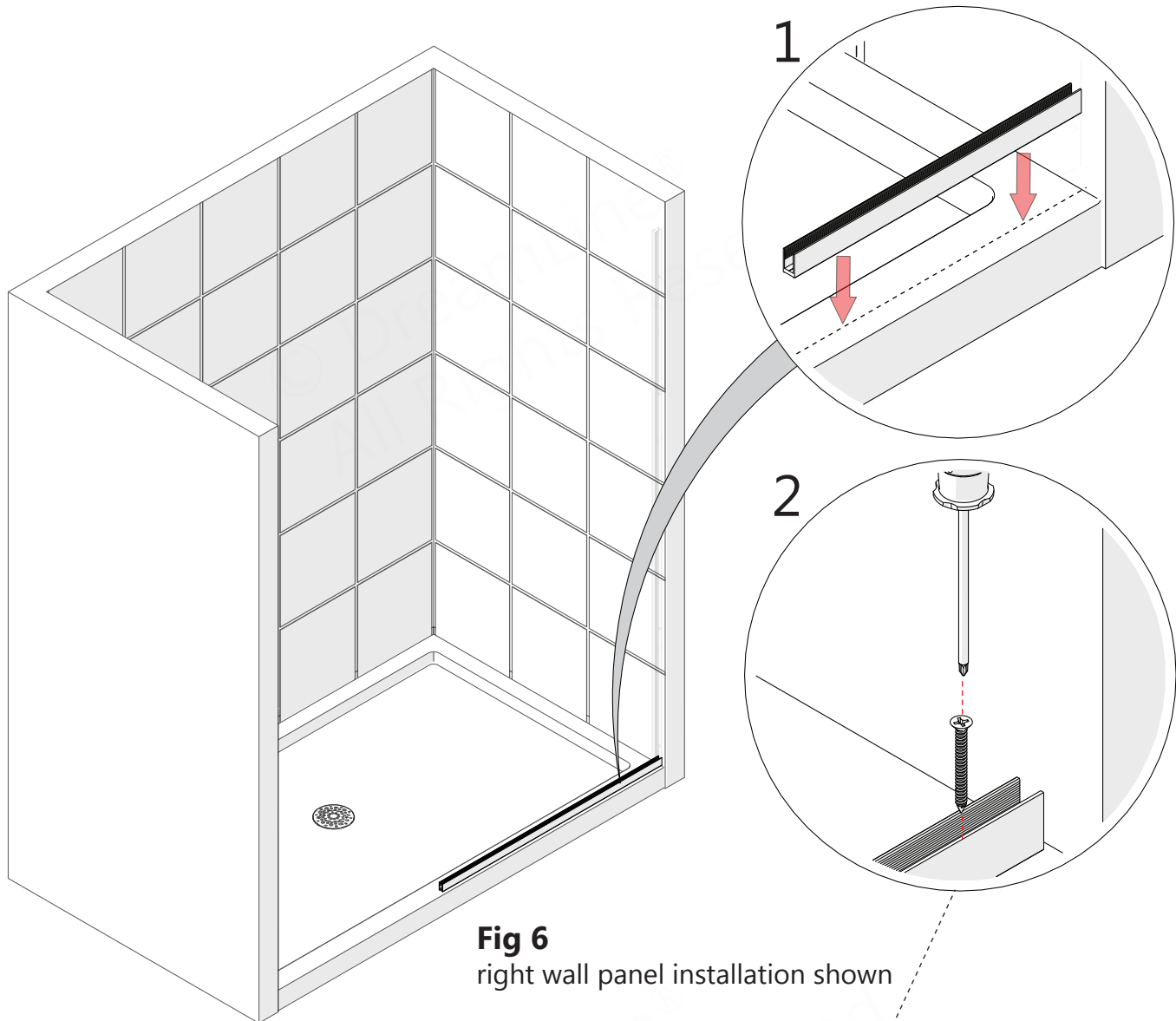
right wall single or inline panel installation shown

**NOTE**

**The surfaces need to be clean and free of debris before applying silicone.**

**Tools Needed**



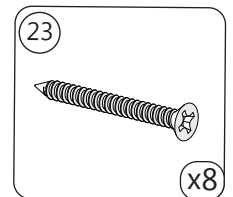


**Fig 6**  
right wall panel installation shown



**To prevent damage to the glass:**  
Fully countersink the screws so the  
screw heads do not stick up above the  
surface of the u-channel.

#### Parts Needed



#### Tools Needed

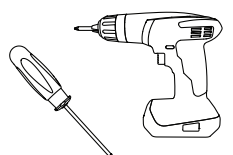




Fig 7a

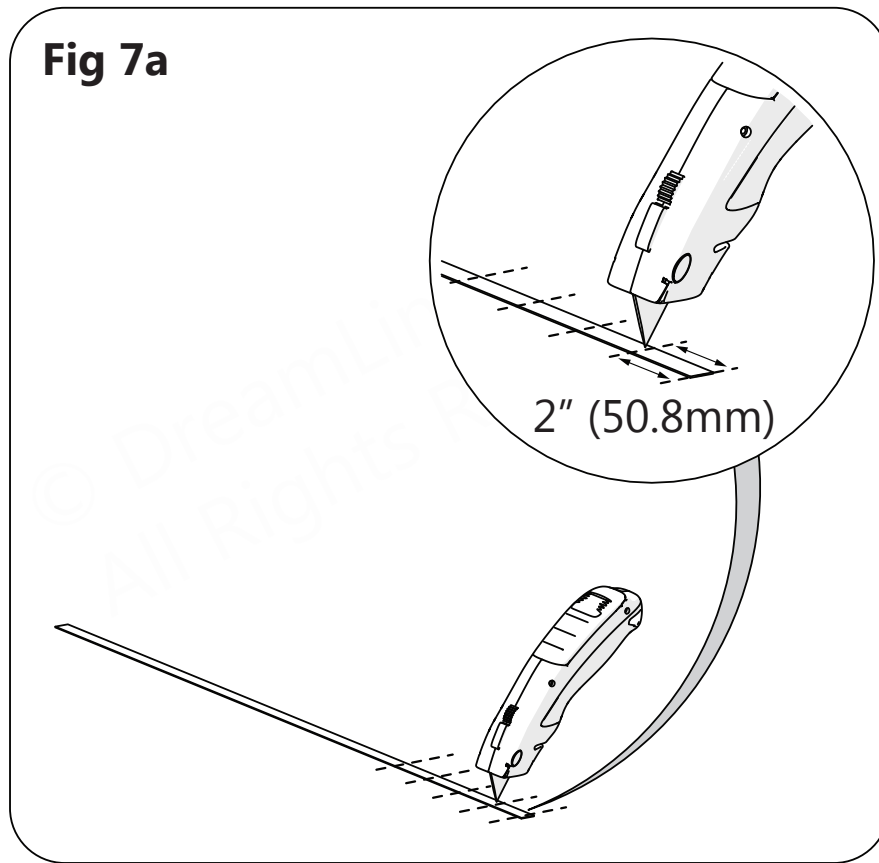
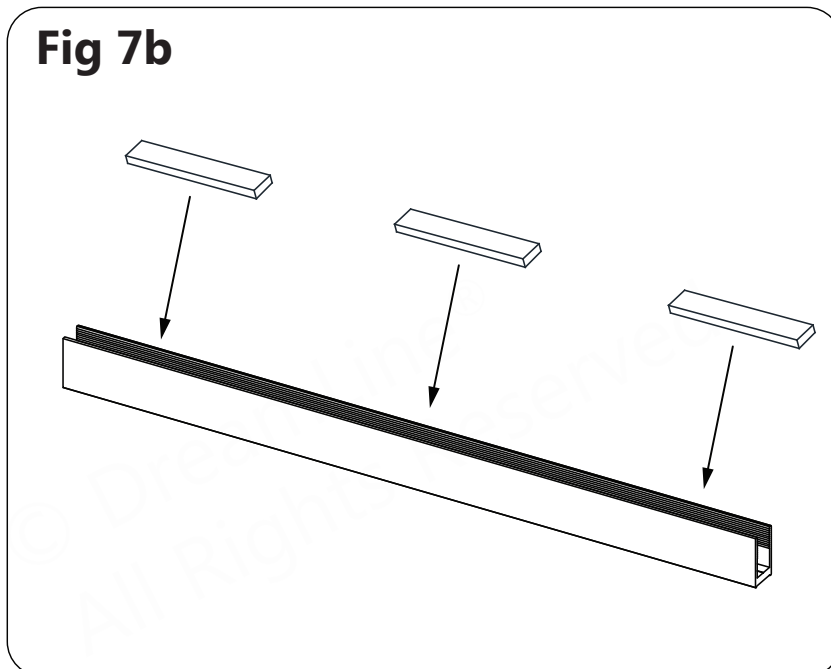
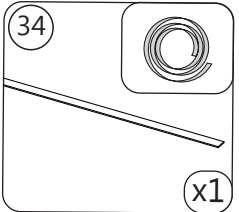


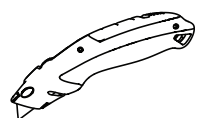
Fig 7b



## Parts Needed



## Tools Needed

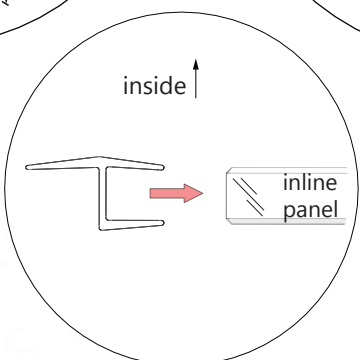
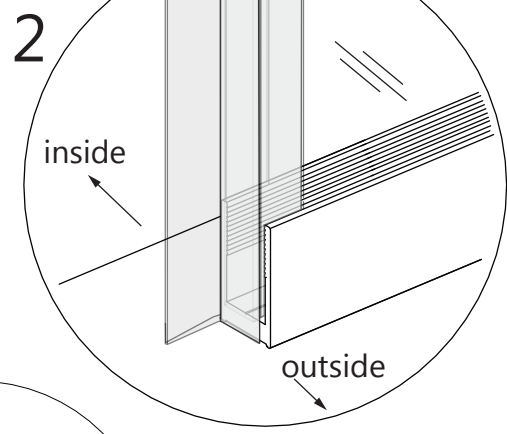
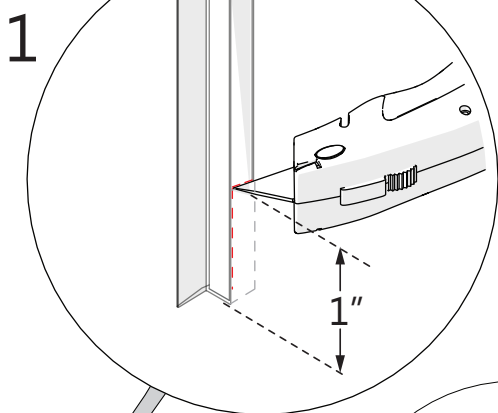
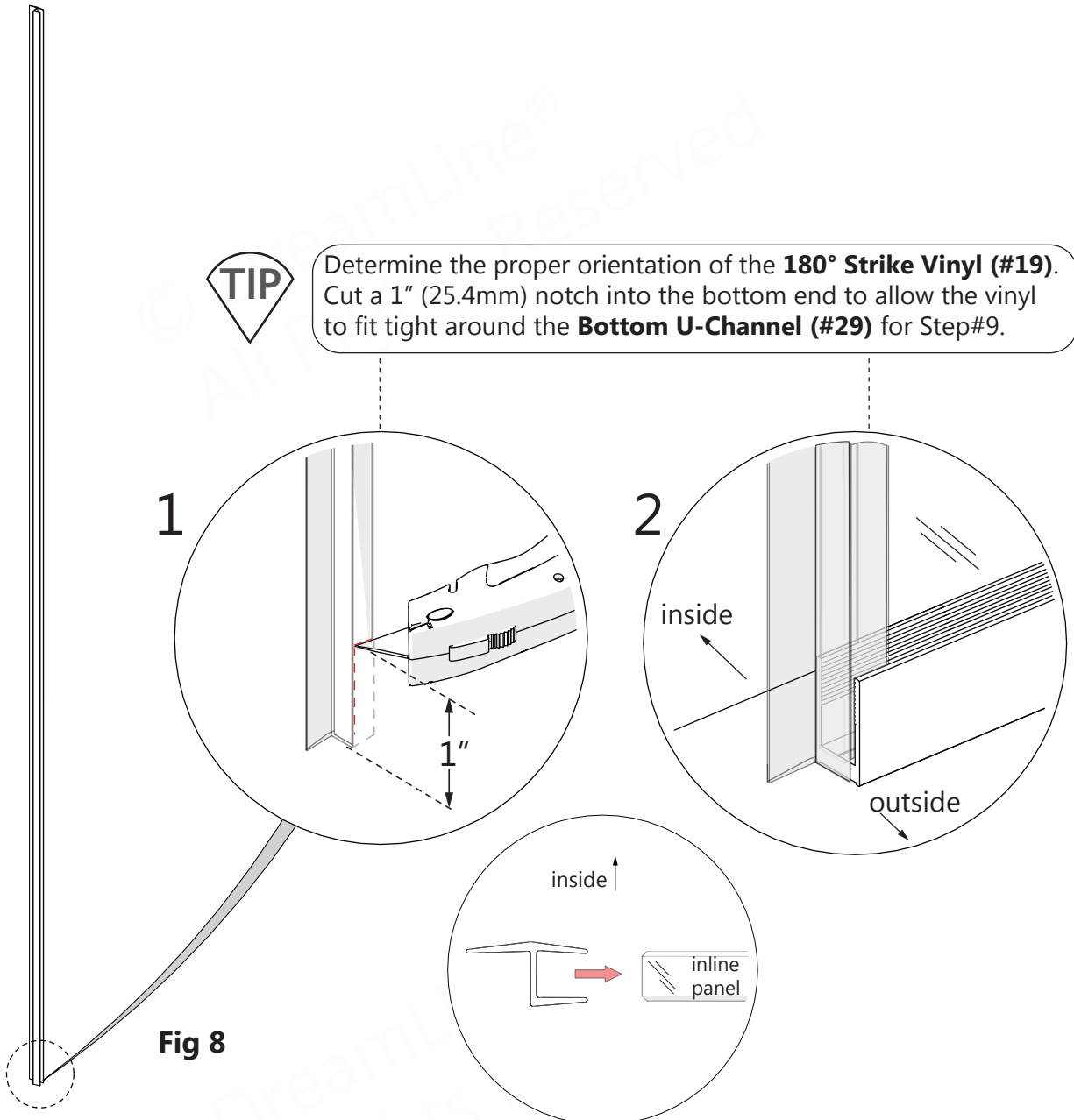


**Cut several 2" - 3" (50.4mm-76.2mm) pieces of the PVC Glass Spacer 0.5mm (#28). DO NOT install one long continuous piece into the Bottom (#29) U-Channel!**

**INLINE  
PANEL  
model  
only**



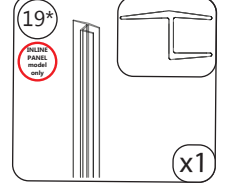
Determine the proper orientation of the **180° Strike Vinyl (#19)**. Cut a 1" (25.4mm) notch into the bottom end to allow the vinyl to fit tight around the **Bottom U-Channel (#29)** for Step#9.



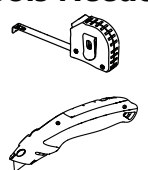
**Fig 8**

right wall inline panel installation shown

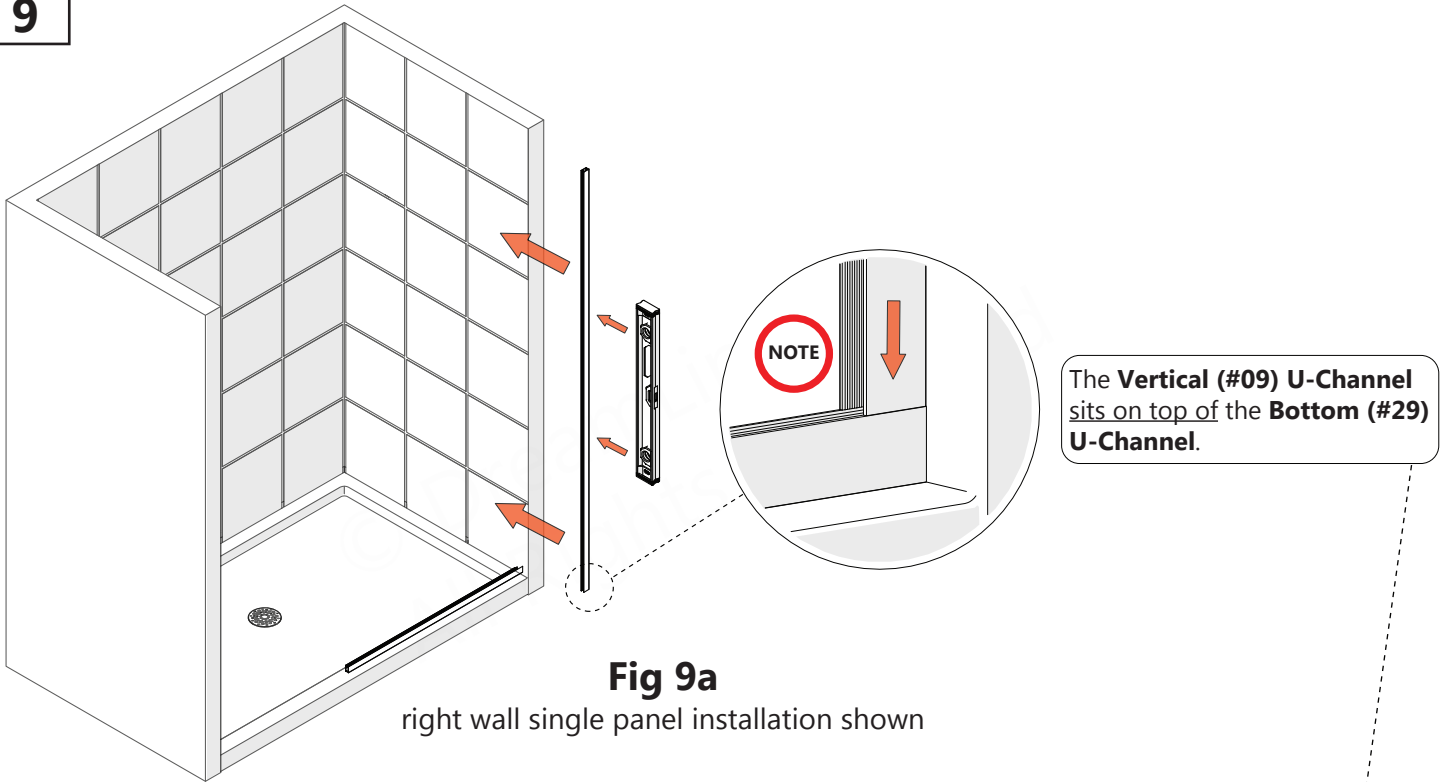
**Parts Needed**



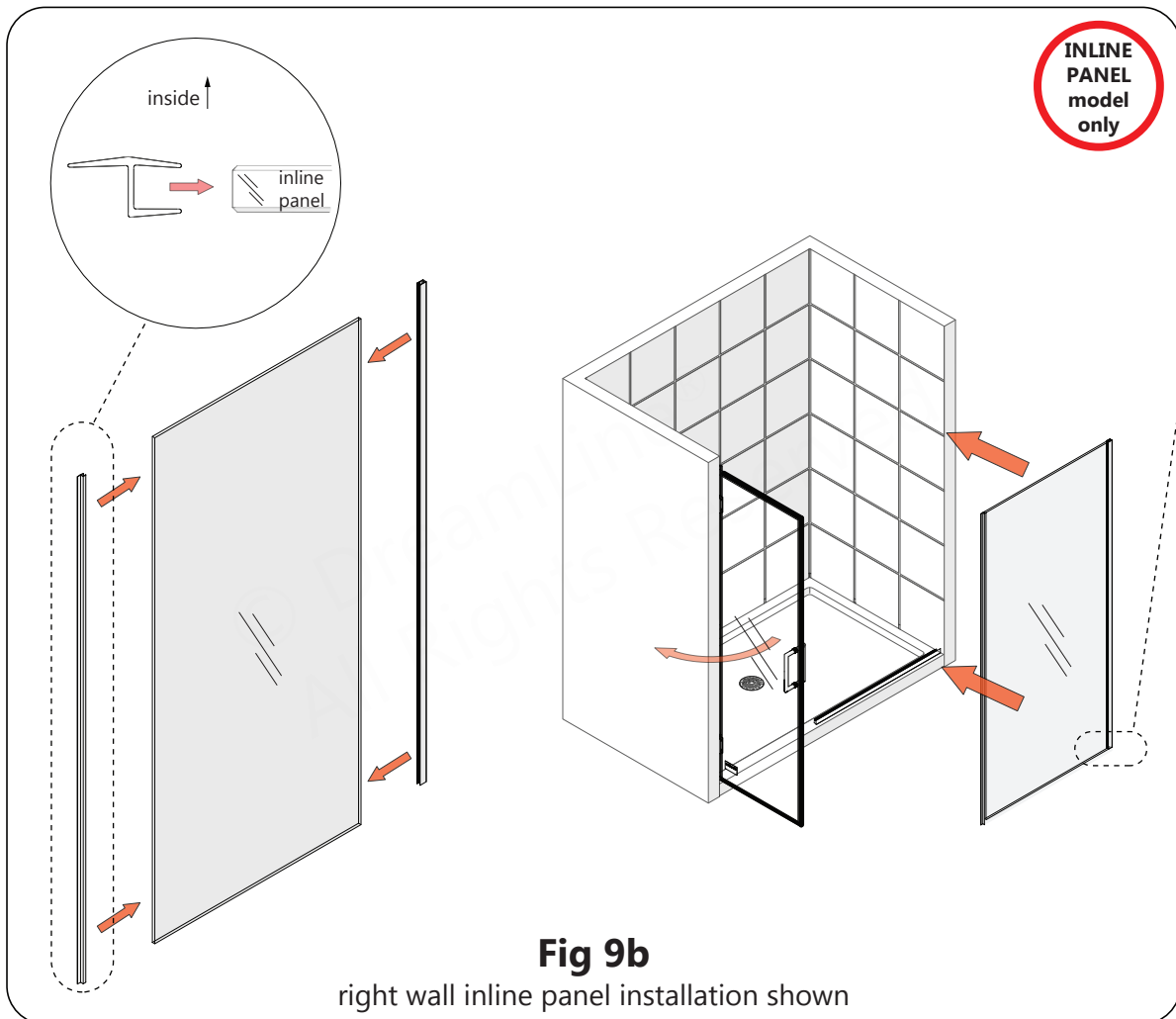
**Tools Needed**



9

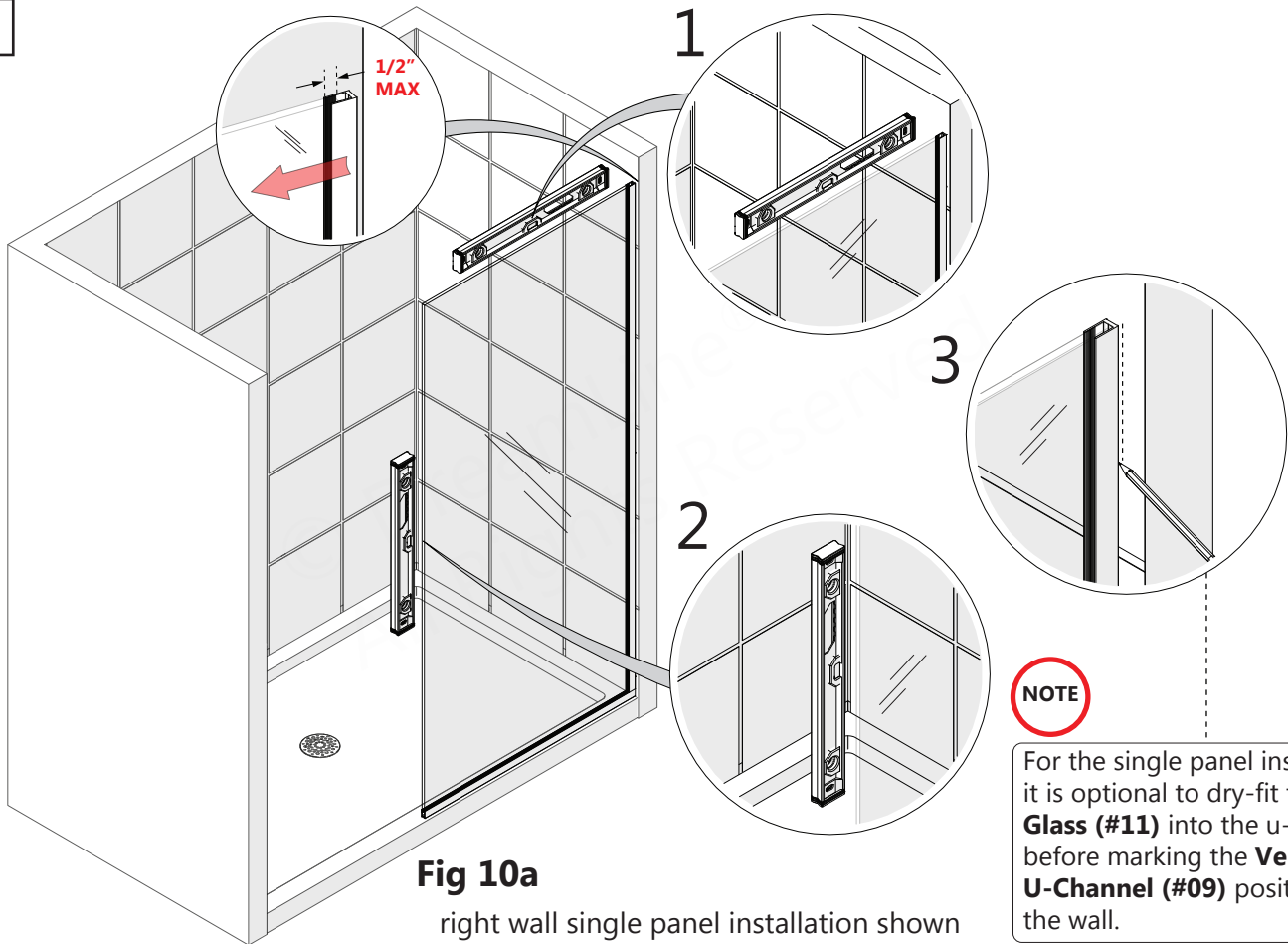


**Fig 9a**  
right wall single panel installation shown



**Fig 9b**  
right wall inline panel installation shown

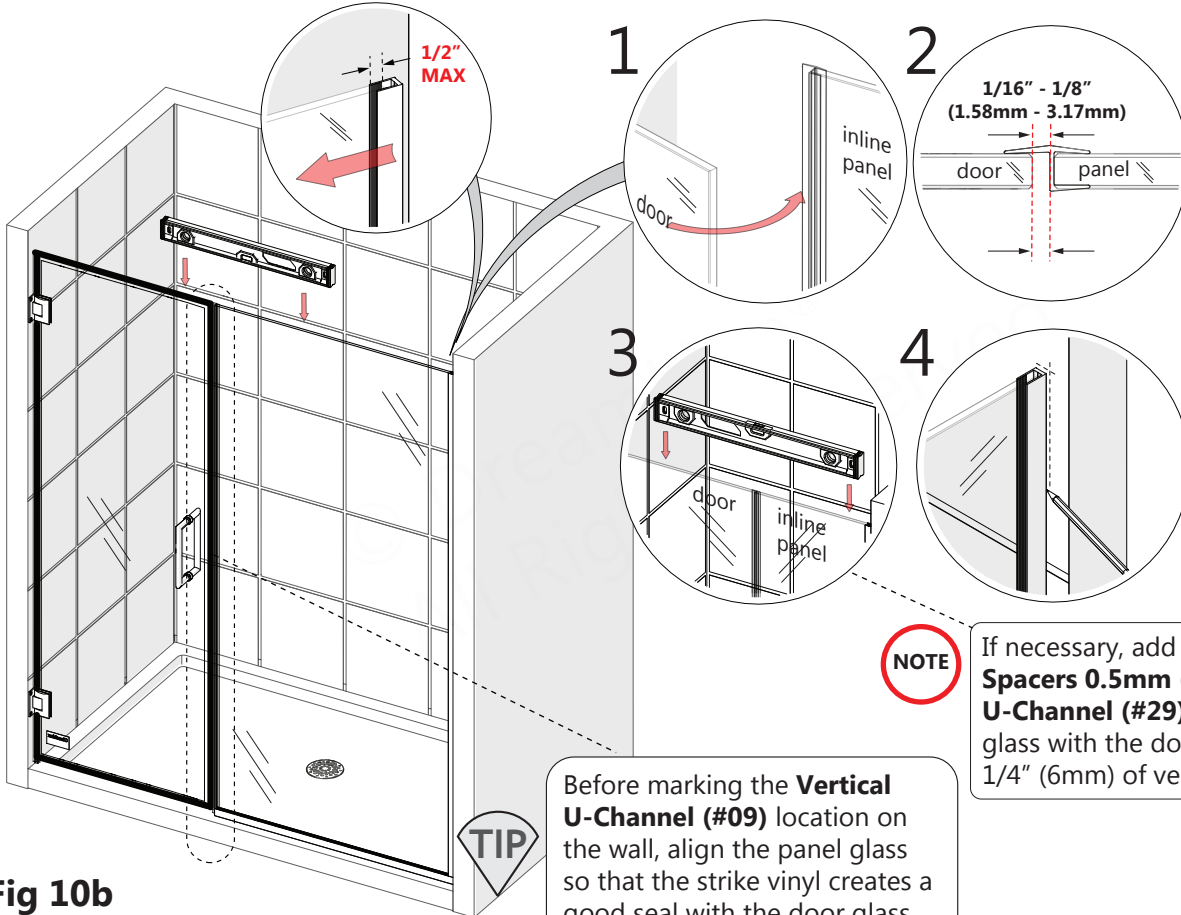
10



**Fig 10a**  
right wall single panel installation shown

**NOTE**

For the single panel installation, it is optional to dry-fit the **Panel Glass (#11)** into the u-channels before marking the **Vertical U-Channel (#09)** position on the wall.



**Fig 10b**  
right wall inline panel installation shown

**INLINE  
PANEL  
model  
only**

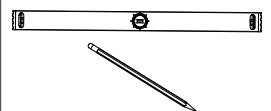
**NOTE**

If necessary, add additional **PVC Glass Spacers 0.5mm (#28)** into the **Bottom U-Channel (#29)** to level the panel glass with the door. Do Not Exceed 1/4" (6mm) of vertical adjustment.

**TIP**

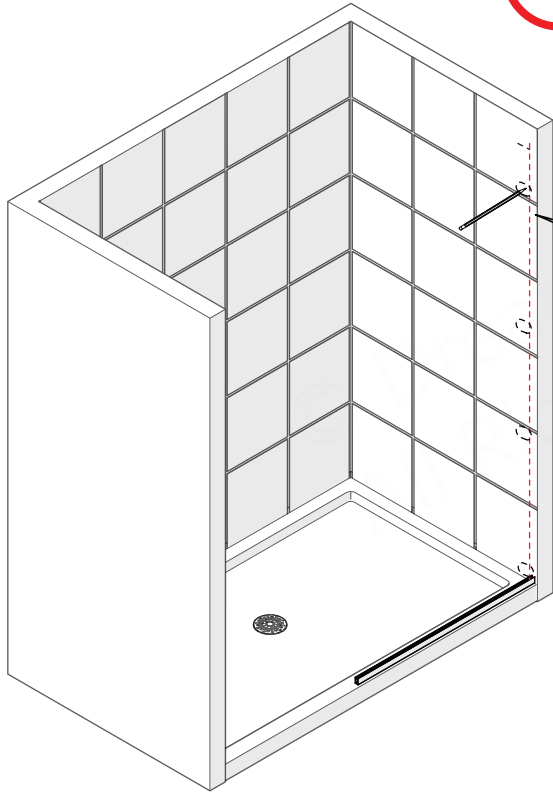
Before marking the **Vertical U-Channel (#09)** location on the wall, align the panel glass so that the strike vinyl creates a good seal with the door glass.

**Tools Needed**

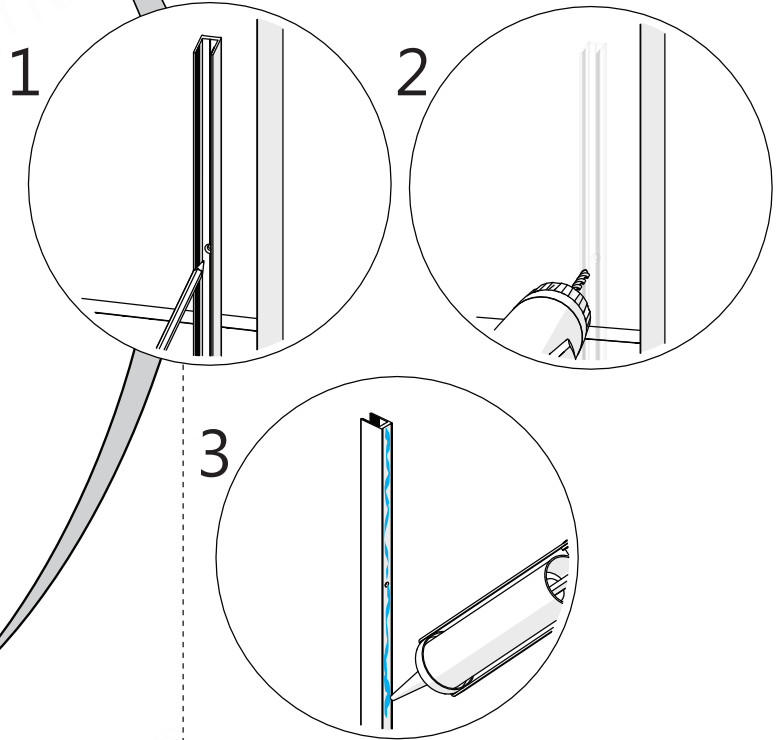


**NOTE**

- **If a stud is present behind the wall:**  
drill a  $\text{Ø}3/16''$  (4.76mm) hole up to the stud, drill an  $\text{Ø}1/8''$  (3mm) pilot hole into the stud and use the **ST4.2 x 40mm Countersunk Screws (#23)**
- OR
- **If no stud is present behind the wall:**  
drill a  $\text{Ø}5/16''$  (8mm) hole and insert the **Wall Anchors (#13)** and use the **ST4.2 x 40mm Countersunk Screws (#23)**.

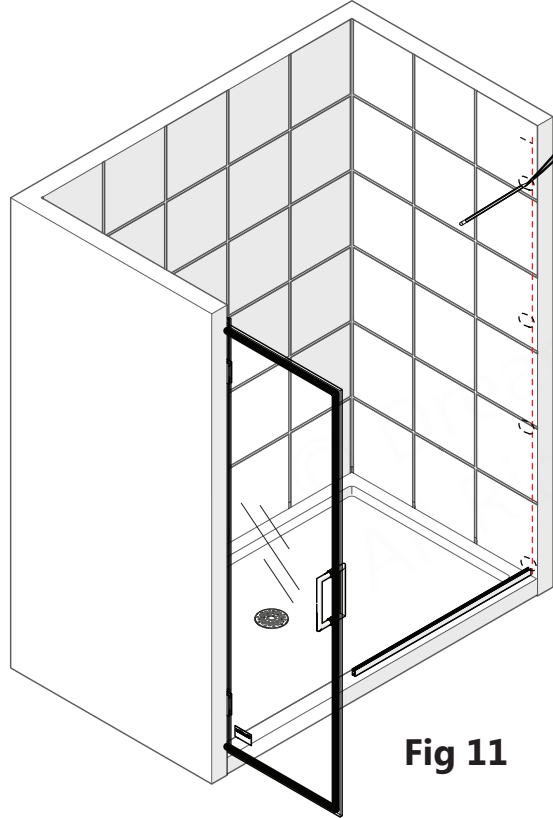


right wall installation shown for single or inline panel



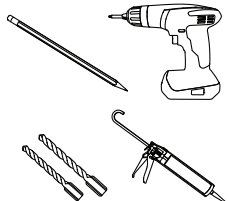
**TIP**

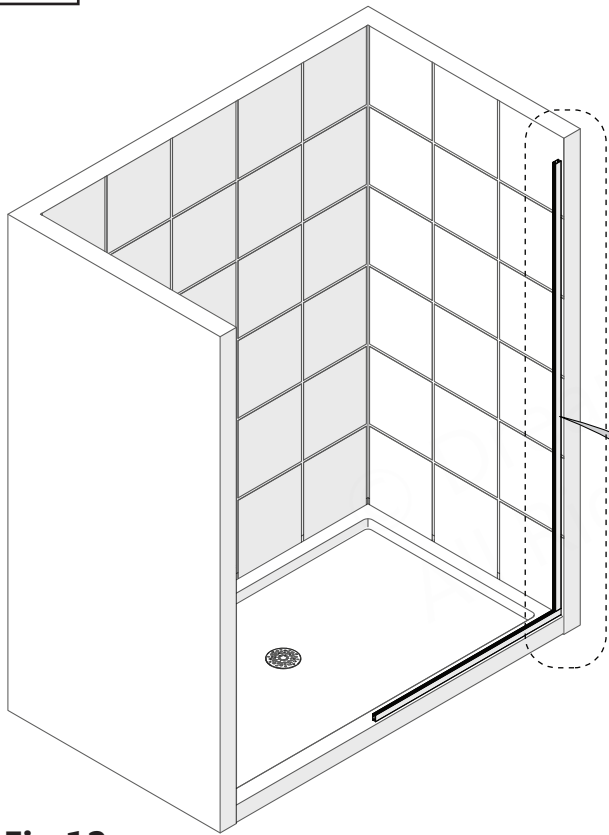
Mark at least four (4) holes for the **Vertical U-Channel (#09)**.



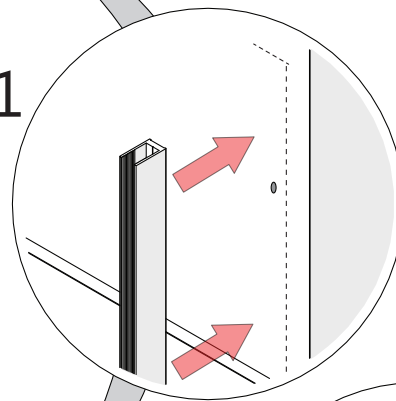
**Fig 11**

**Tools Needed**

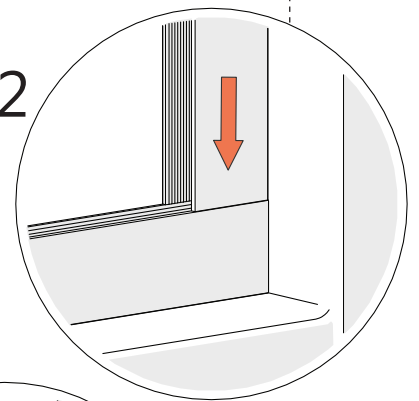




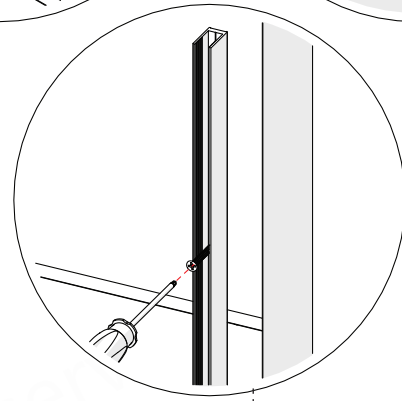
1



2

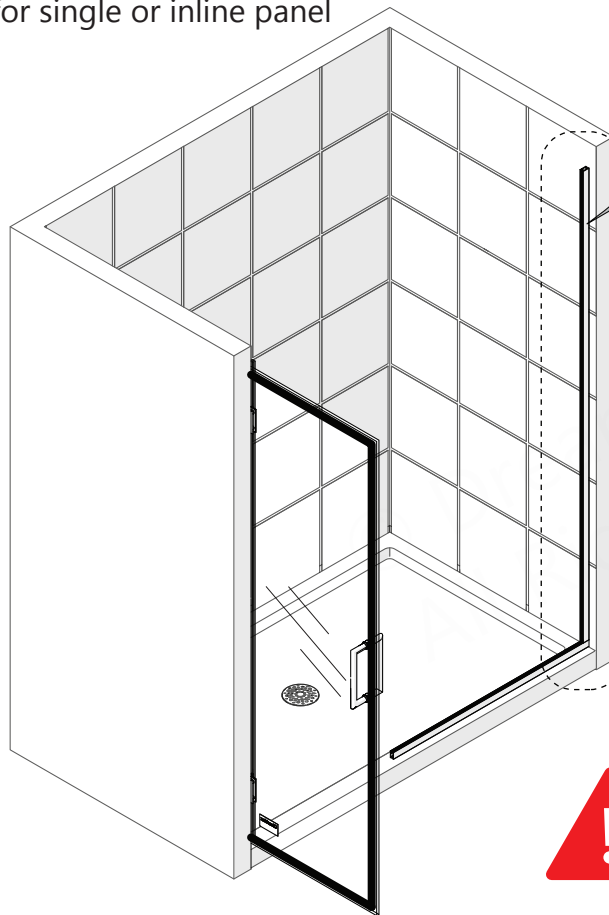


3



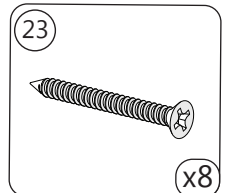
The **Vertical (#09) U-Channel** sits on top of the **Bottom (#29) U-Channel**.

**Fig 12**  
right wall installation shown for single or inline panel

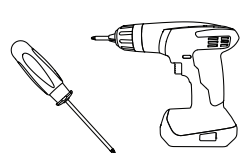


**To prevent damage to the glass:**  
Fully countersink the screws so the screw heads do not stick out from the surface of the u-channel.

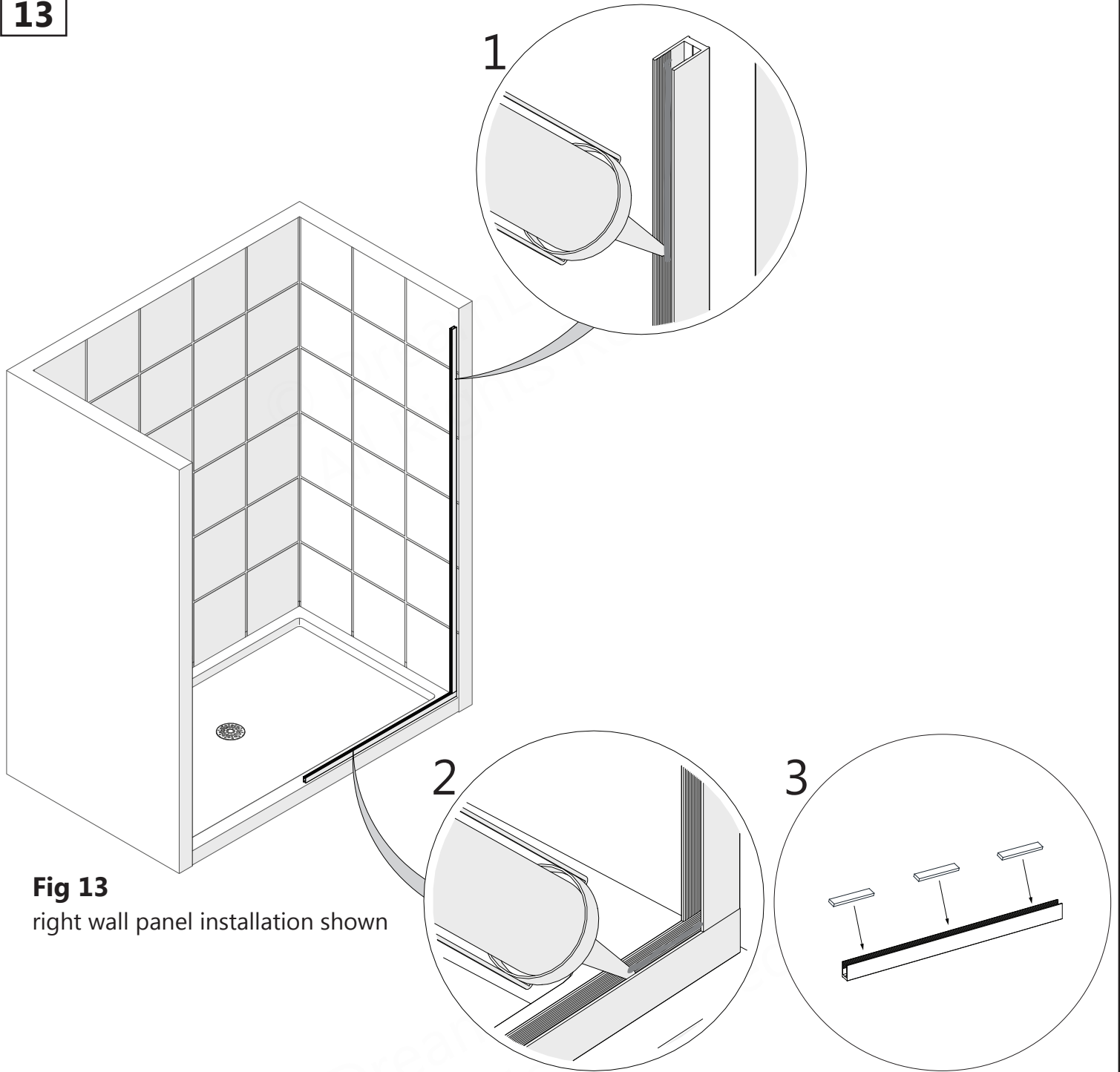
**Parts Needed**



**Tools Needed**



13

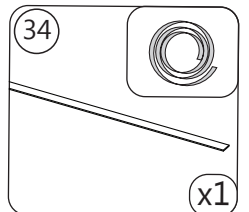


**Fig 13**  
right wall panel installation shown

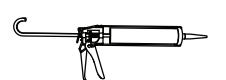


**NOTE** After applying silicone into the Bottom U-Channel, install several 2" - 3" pieces of the PVC Glass Spacer 0.5mm (#28) into the Bottom U-Channel (#29) to protect the bottom edge of the glass. (Fig 11.3)

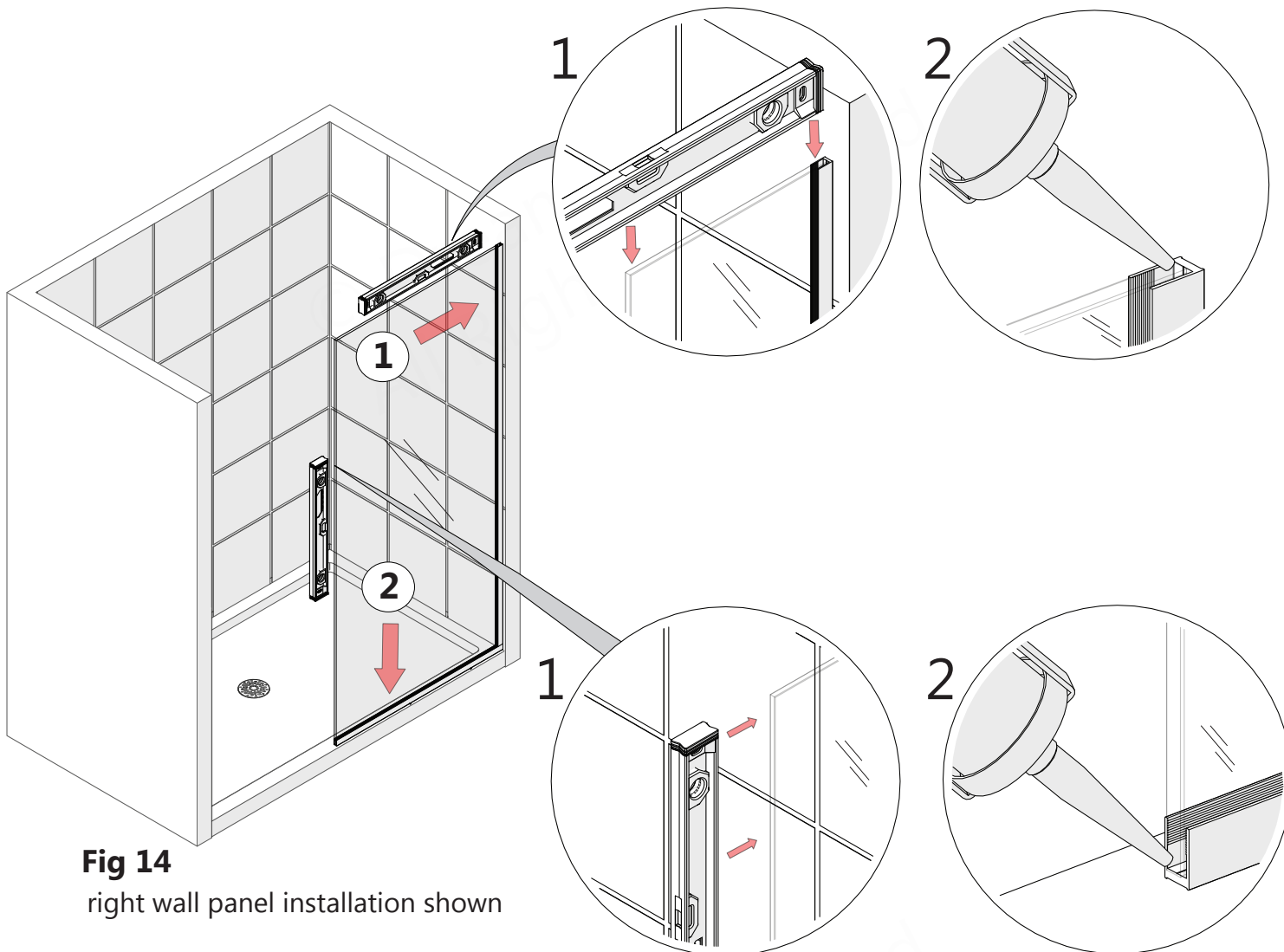
**Parts Needed**



**Tools Needed**







**Fig 14**  
right wall panel installation shown

**NOTE**

Slide the panel glass into the vertical u-channel first and then slide it down into the bottom u-channel.

**Tools Needed**

The tools needed for this step are a level and a screwdriver.



The surfaces need to be clean and free of debris before applying silicone

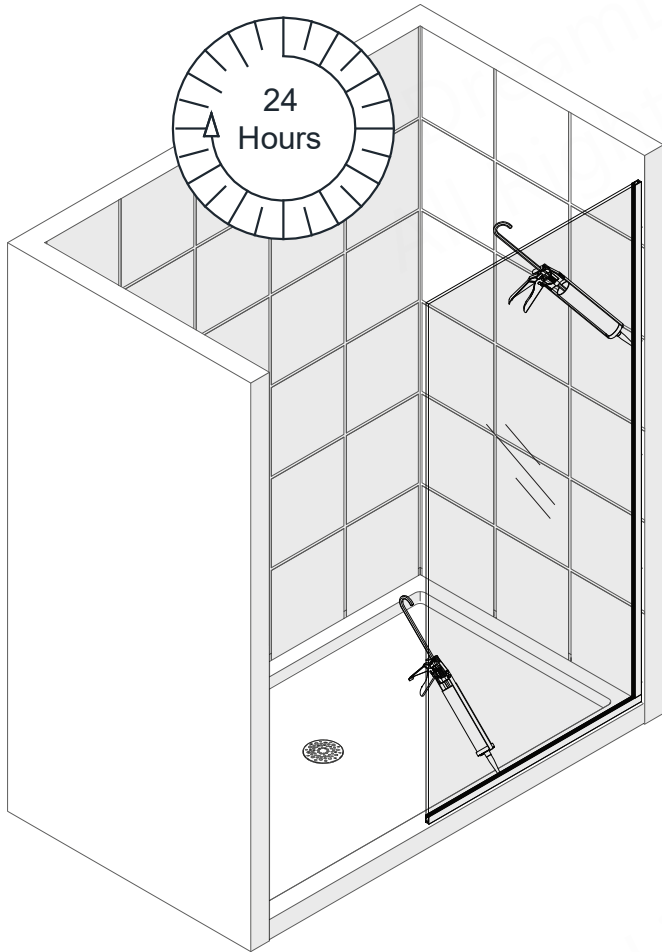


Fig 15a right wall single panel installation shown

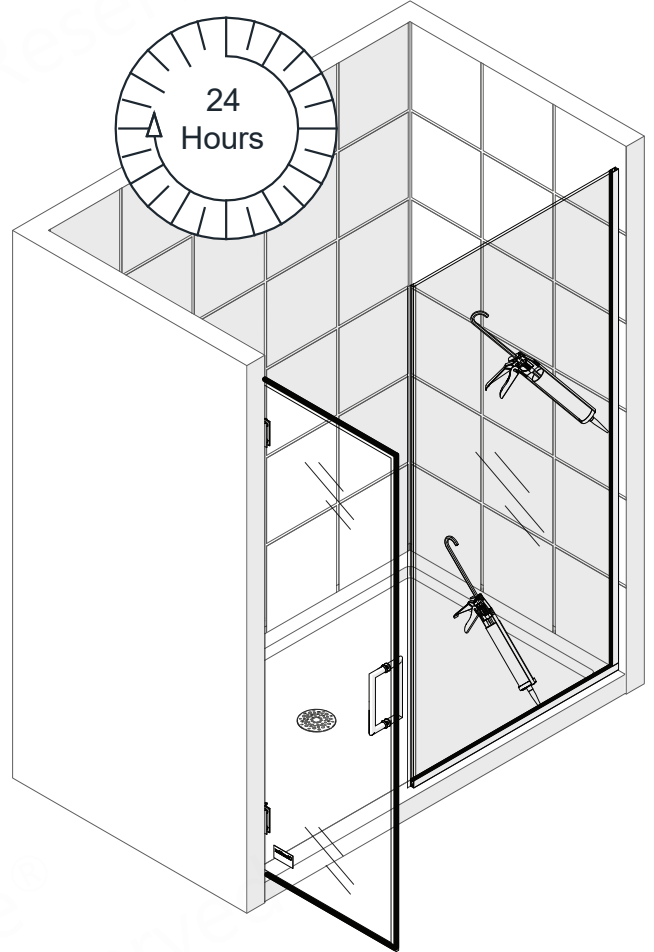


Fig 15b right wall inline panel installation shown



Allow 24 hours for the silicone to cure before using the shower

Tools Needed



## Product Maintenance

**BASES and BACKWALLS:** To ensure long lasting life for your acrylic back walls: wipe them off after each use with a soft cloth. To clean the acrylic back walls use non-abrasive sprays or cream based cleaners. Avoid the use of aerosol spray cleaners. Never use abrasive cleansers, metal brushes or scrapers that could permanently scratch or dull the surface.

**GLASS:** To ensure long lasting life for your glass shower products: wipe them off after each use with a soft cloth. Rinse and wipe off the glass using either a soft cloth or a squeegee to prevent soap buildup and water spots (Hard water can etch the surface of the glass over time if left to dry). To prevent scratching the surface: never use abrasive cleaners or cleaning products that contain scouring agents. Never use bristle brushes or abrasive sponges that may scratch the surface of the glass.

**HARDWARE:** To ensure a long lasting finish: wipe off all metal parts after each use with a soft cloth. Do not use abrasive cleaners or cleaning products containing ammonia, bleach or acid. If accidentally used, rinse the surface as soon as possible to prevent damage to the finish (peeling or corrosion). After cleaning the polished finishes, rinse thoroughly and wipe dry with a soft clean-cloth.

Clean stainless steel surfaces at least once a week. When applying stainless steel cleaner or polish to stainless steel hardware, work with the grain (not across the grain). Never use an abrasive sponge or cloth, steel wool or wired brush as these may permanently scratch the surfaces.



**To maximize the life of your door, it is important to regularly inspect the glass and other hardware for misalignment, proper attachment, and/or damage. Contact DreamLine® with any questions or concerns.**

### **FRENCH LINEA Maintenance Checklist**

- Check that the unit is stable, operates smoothly and that the installation is secure.
- Confirm that all u-channels are tight.
- Confirm that all vinyl seals are intact (replace if missing or damaged to prevent water leakage.)
- Inspect exposed and concealed glass edges for damage **(damaged glass must be replaced!)**
- Inspect silicone for gaps. Replace silicone as necessary to prevent leakage.

# Troubleshooting

Problem/Symptom	Suggested Solution	Page(s)
Missing Parts	<ul style="list-style-type: none"> <li>•Check all shipping/packaging material for missing parts/components.</li> <li>•If not found, contact DreamLine Customer Support [1-866-731-2244] to order factory part replacement.</li> </ul>	—
Door Glass does not close flush with the <b>180° Strike Vinyl (#19)</b> and <b>Panel Glass (#11)</b>	<ul style="list-style-type: none"> <li>•Inspect the <b>180° Degree Strike Vinyl (#19)</b> and ensure the orientation of the vinyl is correct.</li> <li>•Check that the <b>180° Degree Strike Vinyl (#19)</b> is installed correctly so the Door Glass closes flush with the vinyl.</li> <li>•Check that the reveal between the door and the strike vinyl is consistent/even. Use a level and adjust the assembly as necessary.</li> </ul>	27;34
Top of the <b>Inline Panel Glass (#11)</b> is not flush with the top of the Door Glass	<ul style="list-style-type: none"> <li>• Measure that the height of the Door and Inline Panel Glass is at 72 inches.</li> <li>• Refer to the Door Manual for proper installation of the door.</li> </ul>	—
Leakage: beneath the <b>Bottom U-Channel (#29)</b> and <b>Panel (#11)</b>	<ul style="list-style-type: none"> <li>•Confirm that all screws are tightly secured to the threshold</li> <li>•Inspect the silicone and ensure that a complete application of silicone has been applied. Allow 24 hours to cure the silicone before attempting to use the shower.</li> </ul>	—



Prior to contacting DreamLine® Customer Service, please have the following information readily available:

- Purchase Order Information
  - Name, PO Number, Dealer/Vendor Name, etc.
- SKU/Model Number (see Pages 25-26)
- Factory Part Information (see Pages 25-26)

## Factory Parts Information

LINEA PANEL - HARDWARE		FACTORY PARTS INFORMATION	
ITEM #	FACTORY PART NUMBER	ITEM DESCRIPTION	QTY
09	041540 <b>11</b> -1930 / 041540 <b>91</b> -1930	U-Channel 1" Aluminum for 10mm (3/8in.) Glass	1 pc
13	07552148	Wall Anchor 8mm (5/16in)	18 pcs
19	063010100-1829	180 Degree Strike Vinyl for 10mm (3/8in.) Glass	1 pc
23	092108	ST4.2×40mm Countersunk Screw	18 pcs
28	07550083	PVC Glass Spacer 0.5mm	1 pc
29	041540 <b>11</b> -1118 /041540 <b>91</b> -1118	U-Channel 1" Aluminum for 10mm (3/8in) Glass	1 pc

**BOLD** digit indicates finish: **1** = Chrome; **9**= Satin Black

Contact [Support@DreamLine.com](mailto:Support@DreamLine.com) for Part replacement, installation assistance or additional information.  
Complete **Warranty** information is available on [DreamLine.com](http://DreamLine.com).

## Factory Parts Information

<b>LINEA TOULON {SHDR-3234721-89}</b>		<b>FACTORY PARTS INFORMATION</b>	
<b>ITEM #</b>	<b>FACTORY PART NUMBER</b>	<b>ITEM DESCRIPTION (Installed Inline Panel Glass Size)</b>	<b>QTY</b>
11	010137147	34-in Panel Glass, Toulon (Clear)	1 pc
<b>LINEA RHONE {SHDR-3234721-87}</b>		<b>FACTORY PARTS INFORMATION</b>	
<b>ITEM #</b>	<b>FACTORY PART NUMBER</b>	<b>ITEM DESCRIPTION (Installed Inline Panel Glass Size)</b>	<b>QTY</b>
11	010137010	34-in Panel Glass, Rhone (Frosted)	1 pc
<b>LINEA AVIGNON {SHDR-3234721-86}</b>		<b>FACTORY PARTS INFORMATION</b>	
<b>ITEM #</b>	<b>FACTORY PART NUMBER</b>	<b>ITEM DESCRIPTION (Installed Inline Panel Glass Size)</b>	<b>QTY</b>
11	010137009	34-in Panel Glass, Avignon	1 pc
<b>LINEA BLOSSOM {D3234720ZNB-09}</b>		<b>FACTORY PARTS INFORMATION</b>	
<b>ITEM #</b>	<b>FACTORY PART NUMBER</b>	<b>ITEM DESCRIPTION (Installed Inline Panel Glass Size)</b>	<b>QTY</b>
11	010137152	34-in Panel Glass, Blossom	1 pc
<b>LINEA OMBRE {D3234720PXB-01/09}</b>		<b>FACTORY PARTS INFORMATION</b>	
<b>ITEM #</b>	<b>FACTORY PART NUMBER</b>	<b>ITEM DESCRIPTION (Installed Inline Panel Glass Size)</b>	<b>QTY</b>
11	010137146	34-in Panel Glass, Ombre	1 pc
<b>LINEA MAZE {D3234720PXB-01/09}</b>		<b>FACTORY PARTS INFORMATION</b>	
<b>ITEM #</b>	<b>FACTORY PART NUMBER</b>	<b>ITEM DESCRIPTION (Installed Inline Panel Glass Size)</b>	<b>QTY</b>
11	010137154	34-in Panel Glass, Hexagonal Pattern	1 pc

Contact [Support@DreamLine.com](mailto:Support@DreamLine.com) for Part replacement, installation assistance or additional information.  
Complete **Warranty** information is available on [DreamLine.com](http://DreamLine.com).

# NOTES

© DreamLine®  
All Rights Reserved

© DreamLine®  
All Rights Reserved



# NOTES

© DreamLine®  
All Rights Reserved

© DreamLine®  
All Rights Reserved

# NOTES

© DreamLine®  
All Rights Reserved

© DreamLine®  
All Rights Reserved



---

TEL: 866-731-2244  
FAX: 866-857-3638  
DREAMLINE.COM



For more information on DreamLine® Shower Doors and Enclosures please visit [DreamLine.com](https://www.DreamLine.com)