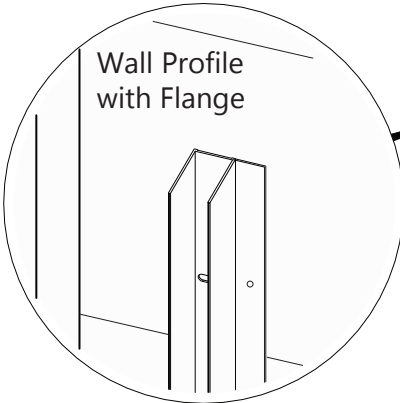
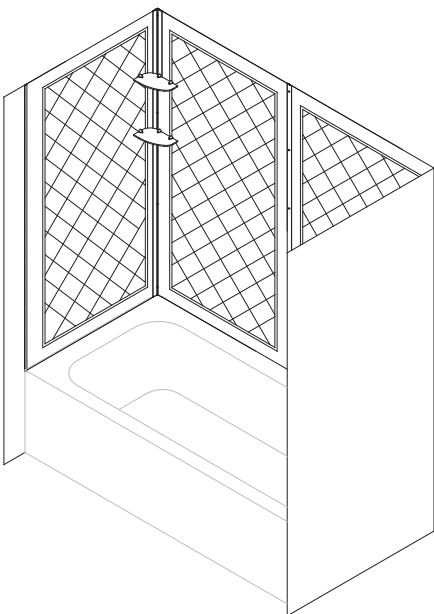


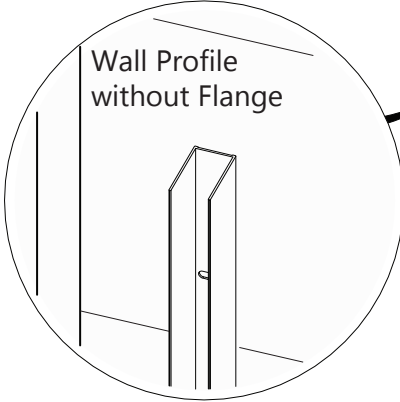
VISIONS

TUB DOOR & BACKWALL INSTALLATION INSTRUCTIONS



Wall Profile with Flange

OR



Wall Profile without Flange

STEP 1: Tub Backwall Installation Instructions

STEP 2: Tub Door Installation Instructions

! CHOOSE the APPROPRIATE MANUAL for your model version

Wall Profile WITH Flange:
VISIONS Manual Ver 1 Rev 7 072015

OR

Wall Profile WITHOUT Flange:
VISIONS Manual Ver 2 082018



Questions?

Please Call **DreamLine** Customer Support: **1-855-831-2126**
Hours of Operation M-F 8AM - 7PM EST and Saturday 9AM - 5PM EST

Support@DreamLine.com



For more information about DreamLine[®] products please visit DreamLine.com

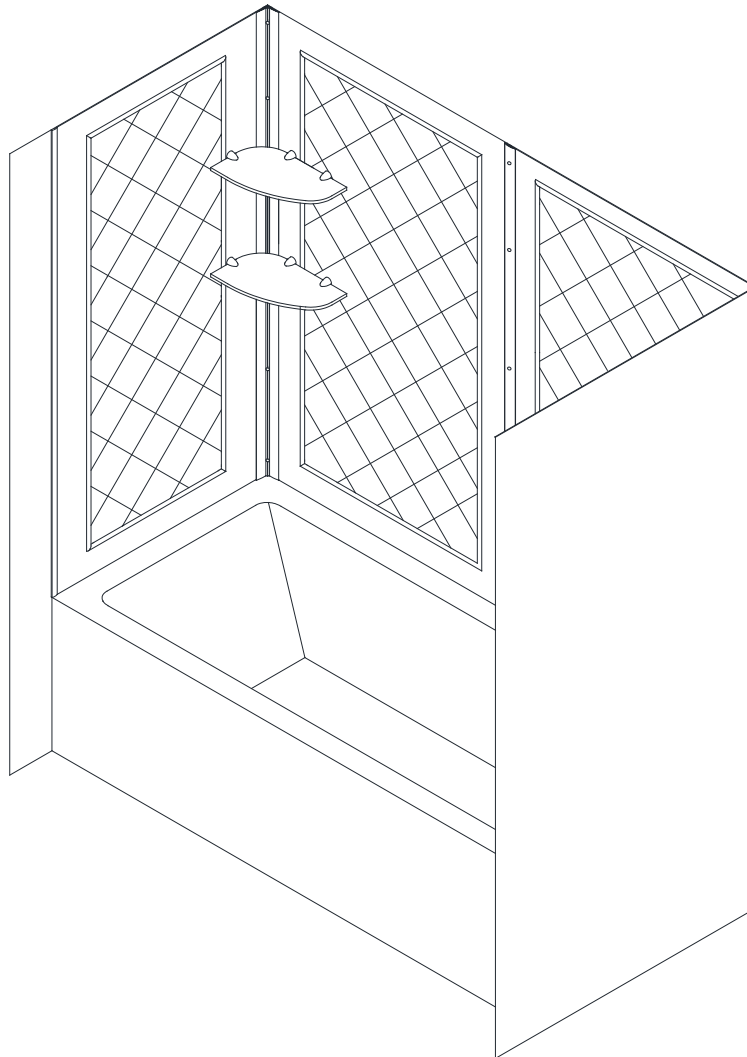
Q-WALL TUB BACKWALL

ACRYLIC BACKWALL INSTALLATION INSTRUCTIONS

IMPORTANT

DreamLine[®] reserves the right to alter, modify or redesign products at any time without prior notice. For the latest up-to-date technical drawings, manuals, warranty information or additional details please refer to your model's web page on **DreamLine.com**

MODEL #s
SHBW-1360603-01



Questions?

Please Call **DreamLine** Customer Support: **1-855-831-2126**
Hours of Operation M-F 8AM - 7PM EST and Saturday 9AM - 5PM EST

Support@DreamLine.com

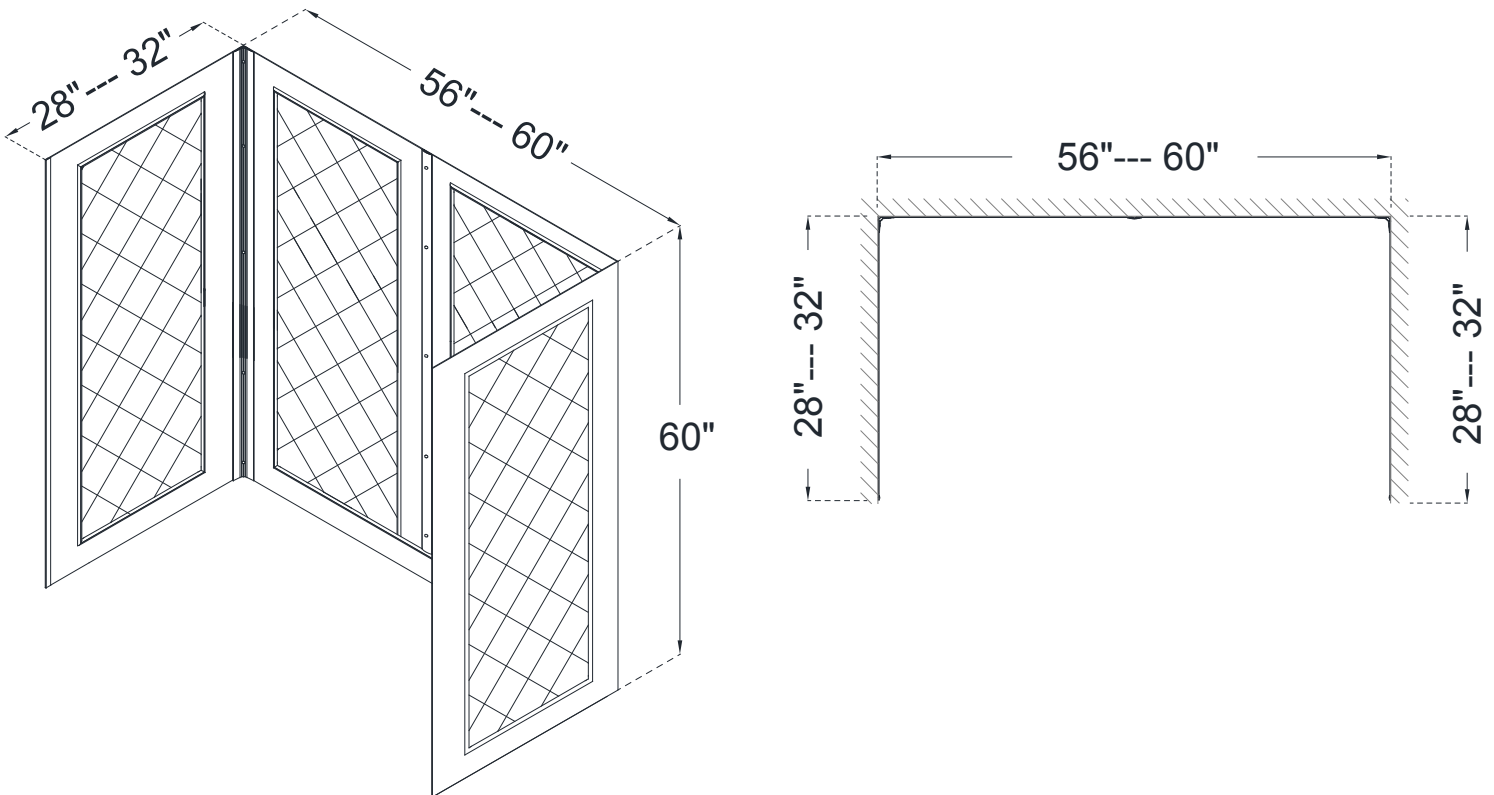


For more information about DreamLine[®] Shower Doors, Tub Doors & Enclosures, please visit **DreamLine.com**

Table of Contents

Section title	Page #
Preparation	2
Tools	3
Detailed Diagram of Shower Wall Components	4
Parts List	5
Installation Steps	6-18
Tub Glass Shelves Installation (optional)	19
Product Maintenance	21

Overall Dimensions



Preparation

1. Prior to installation, examine all boxes and packages for shipping damage and compare the piece count with the packing slip. After opening all boxes and packages read this introduction carefully. Check that all of the necessary parts are included in the package by checking off the components on the "Detailed Diagram of Shower Door Components". If the unit has been damaged, has a finishing defect, or has missing parts, please contact our customer support department within **3 business days** of the delivery date. **Please note that DreamLine® will not replace any damaged products or missing parts free of charge after 3 business days or if the product has been installed.** Contact DreamLine® if you have any questions, and please provide an order number, job name or other proof of purchase to help identify the original order.

2. **Please note that you should consult your local building codes with questions on installation compliance standards. Building and plumbing codes may vary by location, and DreamLine® is not responsible for code compliance standards for your project and will not accept any returns.**

3. This acrylic wall system is specially designed to be installed over any solid surface. If you are installing the acrylic walls over the existing tiles, remove all loose tiles before the installation. If you are installing over the existing painted walls, remove all loose paint. Note that some cutting and drilling will be necessary during the installation process.

4. Make sure to turn off the water supply, remove faucet, handles or any fixture trims protruding from the wall. Remove any soap film and dirt from all wall surfaces using regular household detergent, then wipe dry.

5. If this unit is going to be installed in a new construction, please install all of the required plumbing and drainage before installing the shower. Use a competent and licensed (if required by local code) plumber for all plumbing installation.

6. Side walls must be trimmed to size in most cases (straight edge and a razor knife or other tool suitable for trimming acrylic). Use a straight edge and score the acrylic wall several times to cut to size.

7. **Use an adhesive that is safe to use with acrylic walls:** i.e. LN715, LN915 etc. Use caulk to seal around the bottom/ top edges, top corners and around any fixture cutouts.

8. **Designed to be installed over drywall or tile—not intended for installation against bare studs.**

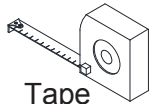
9. Making cutouts for shower fixtures will not void the warranty. However **making cutouts for window openings will void the warranty.**

10. **Professional installation recommended.**

Tools



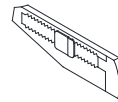
Level



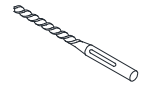
Tape Measure



Pencil



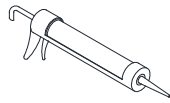
Knife



Drill bit
(Ø 5/16")



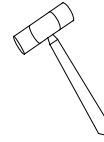
T-Square



Caulk



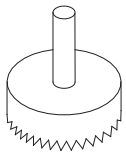
Power Drill



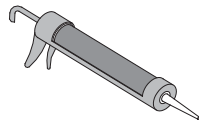
Hammer



Phillips Screwdriver



Hole Saw



(acrylic safe) Adhesive



Tip: Measure the opening before proceeding with the installation to be sure that the correct model size has been ordered.



Tip: Prior to installation, cover the shower/tub drain with tape to prevent losing screws or small parts.

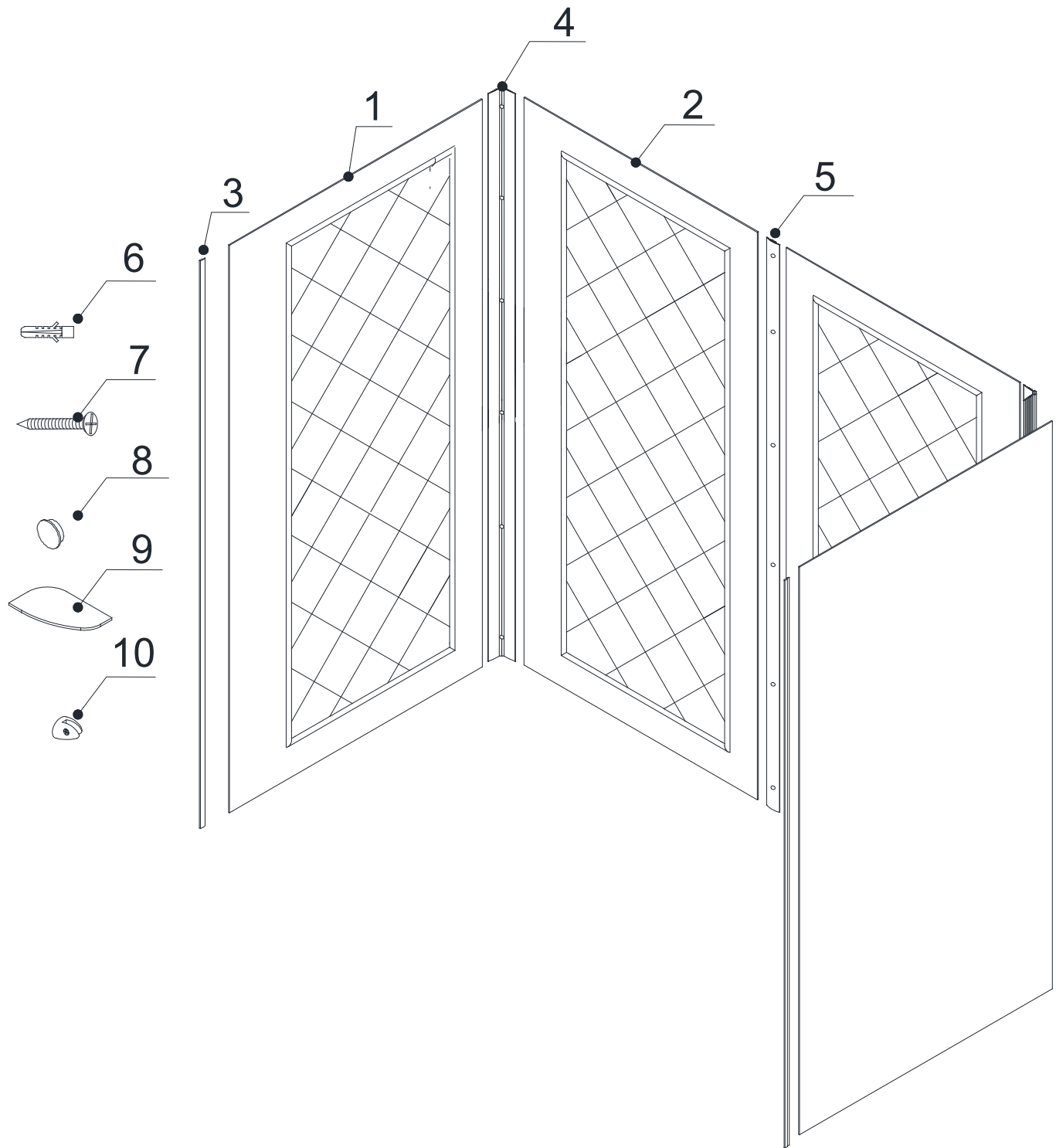


Tip: Set screw gun clutch to low setting when installing screws and bolts to prevent stripping the heads.

NOTE: Unpack your unit carefully and inspect it. Lay it out and identify all parts using the detailed diagram and packing list in this manual as a reference. Before discarding the carton, check for small hardware bags that may have fallen to the bottom of the box. If any parts are damaged or missing, please contact DreamLine® for replacement. The shipping boxes may contain extra parts not used in your model configuration.

NOTE: Retain these installation instructions for future reference.

Detailed Diagram of Shower Wall Components



Parts List

ITEM #	PART NUMBER	DESCRIPTION	QTY
01	030006	Side panel	2pcs
02	030005	Back panel	2pcs
03	060006000-1524	Decorative edge molding	2pcs
04	04059021-1524	Corner cover	2pcs
05	04058021-1524	Center cover	1pc
06	07550045	Wall anchor	21pcs
07	091101	Countersunk screw ST4.2×30	21pcs
08	07552010	Decorative cover	15pcs
09	017000001	Glass shelf	2pcs
10	07011029	Shelf bracket	6pcs

Installation steps

1. Measure the distance of the back wall of the tub from corner to corner. Record this measurement as "**W**".

(Fig 1)

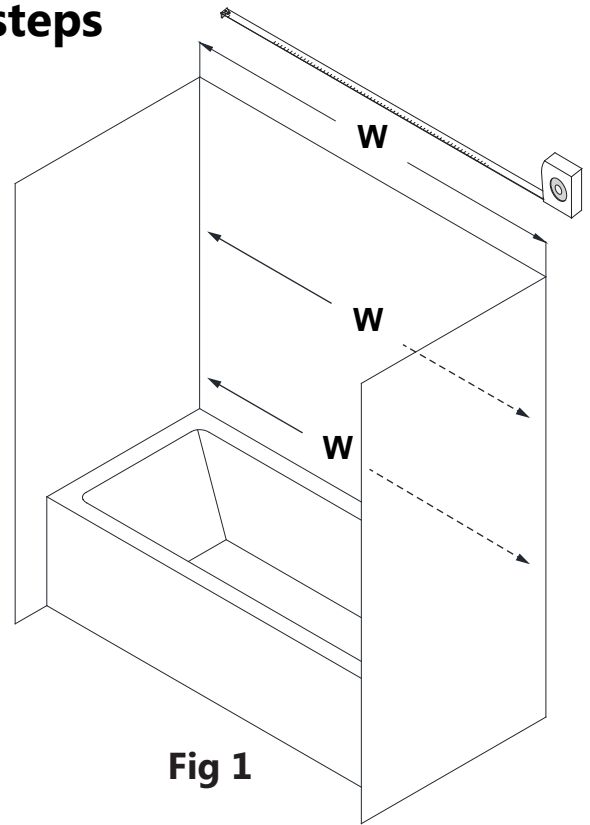


Fig 1

2. Divide the "**W**" measurement in half (**W/2**). Draw a plumb line to mark the center of the back wall **(Fig 2)**

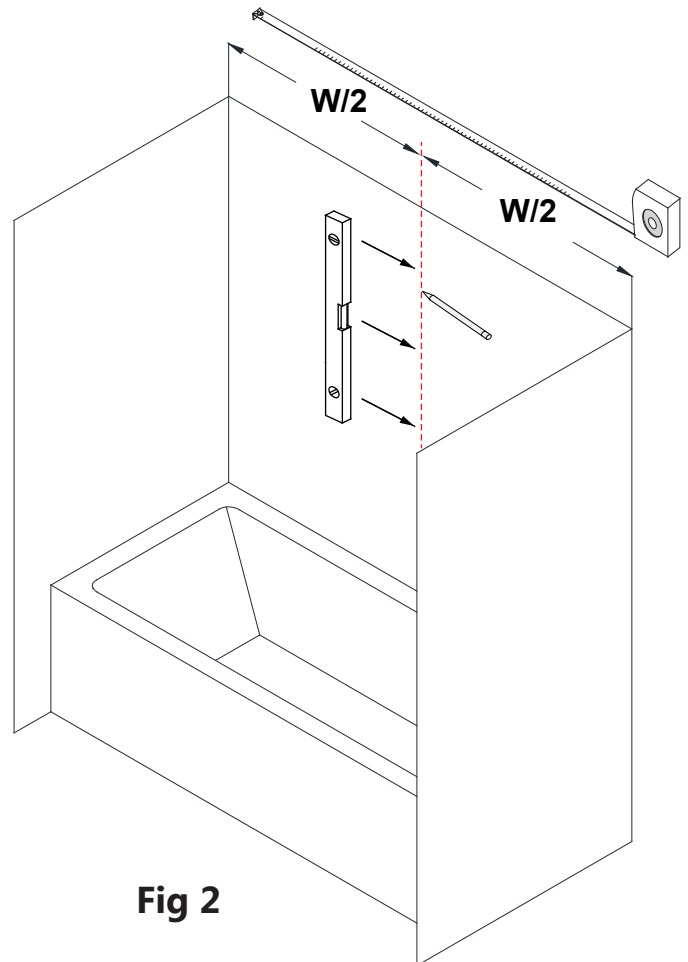


Fig 2

3. Measure the side walls from the corner to the front point where the **Side Panel (#01)** will be trimmed to size. Record this measurement as "**D**". (**Fig 3**)

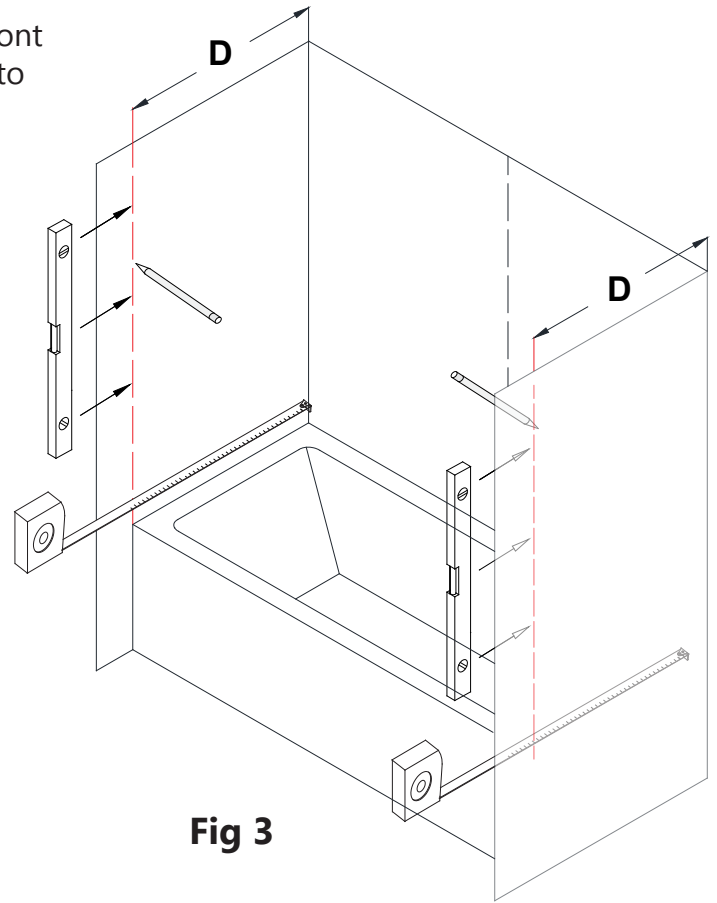


Fig 3

4a. Measure 1" from the corners and draw plumb, vertical reference lines on the walls at both corners. (**Fig 4a**)

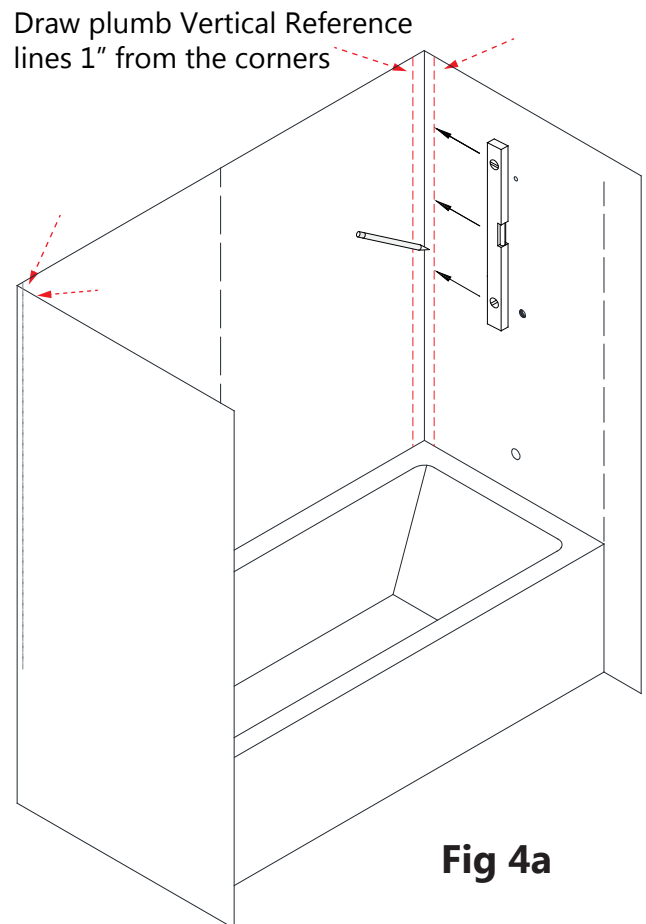


Fig 4a

4b. Measure the location of the holes on the wall where the fixtures will be installed. Use these measurements to drill the cutouts in the corresponding **Side Panel (#01)** in **Step #17**.

Take exact measurements:

- from the vertical reference line to the center of the fixture holes: **(A, B, C, G)**
- from the tub deck up to the center of the fixture holes: **(E, F, H)**. **(Fig 4b)**



Note:
This diagram represents the wall, not the acrylic side panel.

Note:
This diagram represents a typical fixture hole layout.

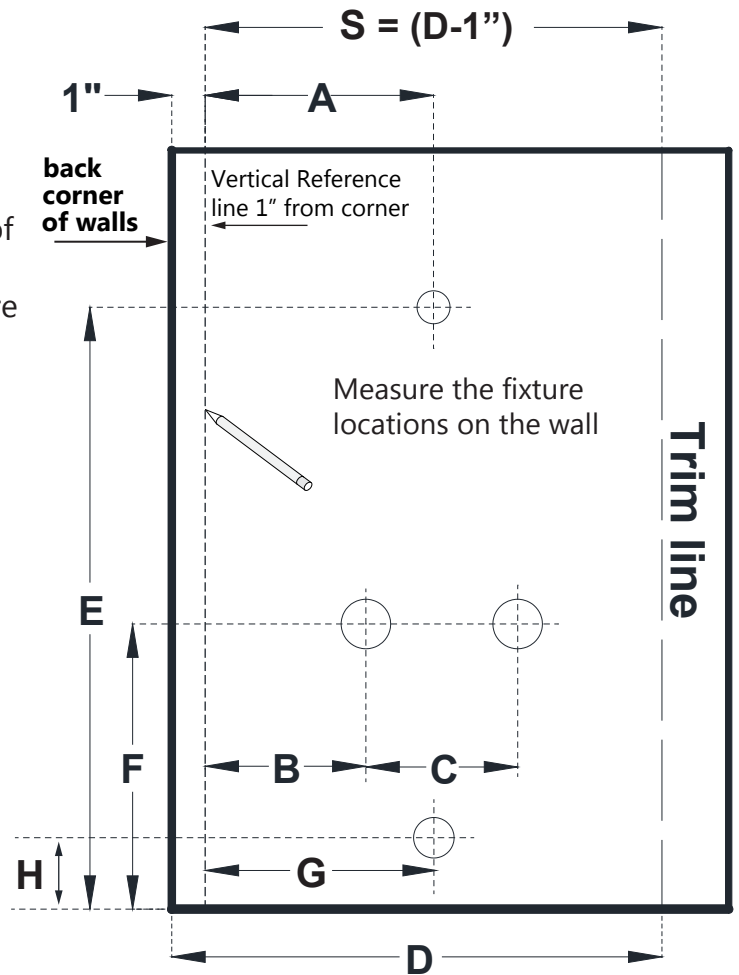
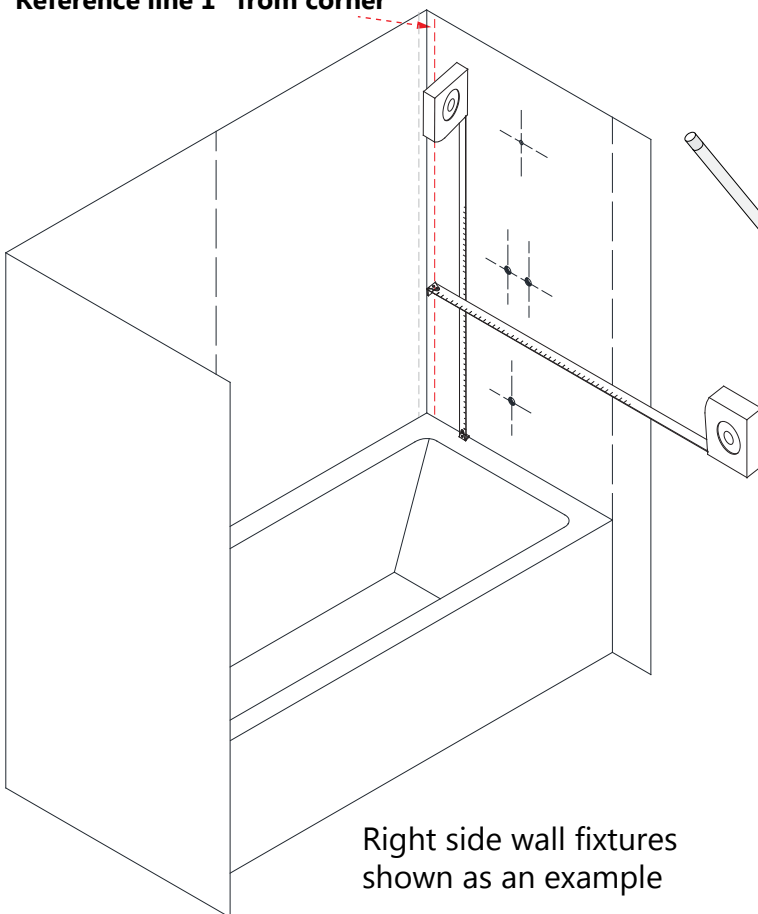


Fig 4b

Measure from the Vertical Reference line 1" from corner



Right side wall fixtures shown as an example

Record all applicable dimensions here:

- A _____ shower head
- B _____ lever
- C _____ lever
- D _____
- S (D-1'') _____ trim line
- E _____
- F _____
- G _____ tub filler
- H _____

These dimensions will be used in **Step#17** to drill the holes into the acrylic **Side Panel (#01)**.

5. Place the **Center Cover (#05)** vertically on the back wall centerline (from Step#2) and mark the drilling holes through the predrilled holes in the **Center Cover (#05)**.

Drill the holes using a **Ø5/16"** drill bit and insert the **Wall Anchors (#06)**. (**Fig 5a and Fig 5b**)

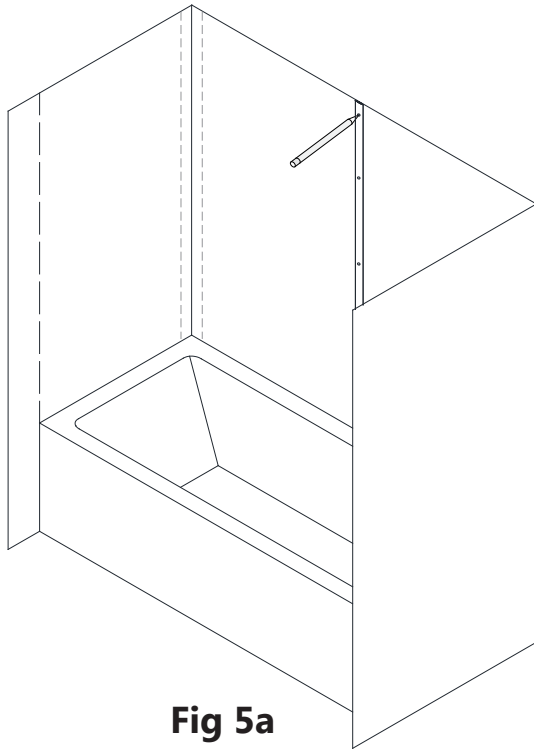


Fig 5a

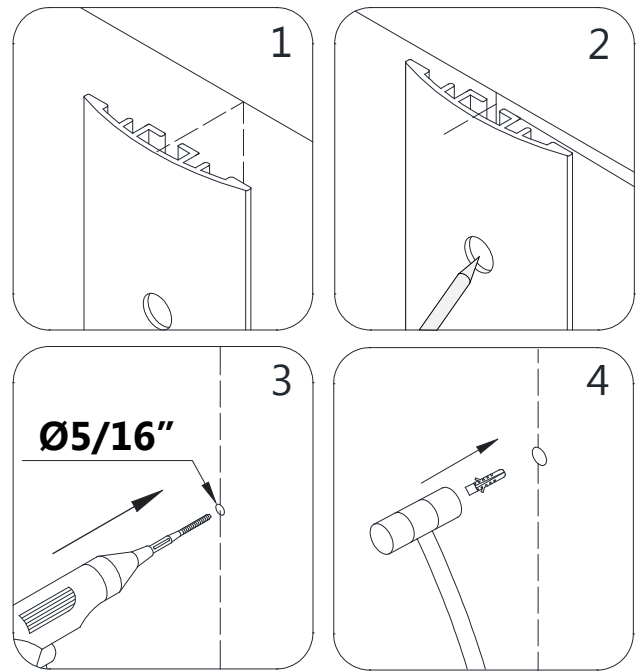


Fig 5b

6. Place the **Corner Cover (#04)** to the corner of the wall and mark the drilling holes through the predrilled holes in the **Corner Cover (#04)**. Drill the holes using a **Ø5/16"** drill bit and insert the **Wall Anchors (#06)**. (**Fig 6a and Fig 6b**)

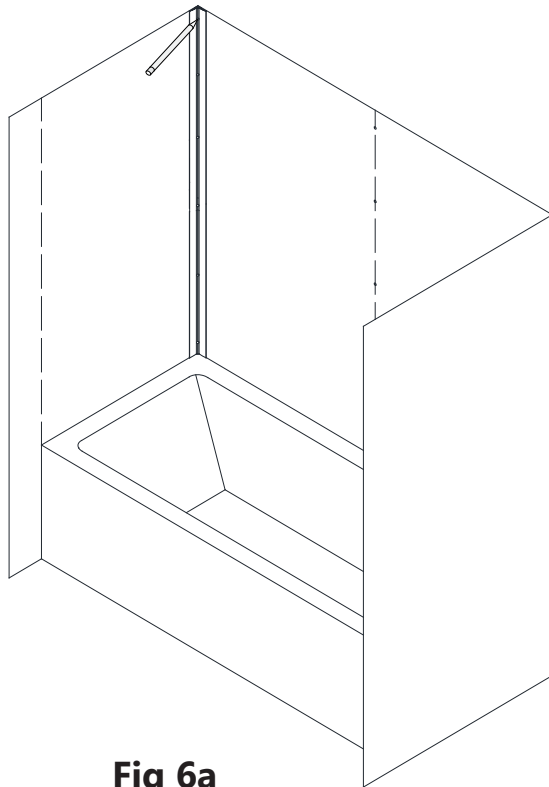


Fig 6a

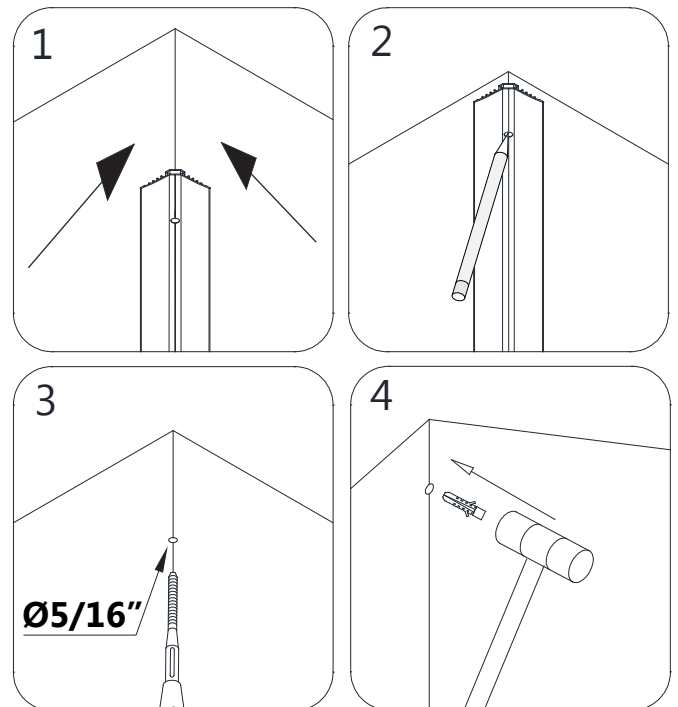


Fig 6b

7. Determine the finished cut size for both Back Panels (#02).

(If the finished overall width of the back wall= 59-1/2" from corner-to-corner, then it will not be necessary to trim the back panels. Proceed to **Step #9**).

NOTE:

(a) = Narrow edge (3-3/8") toward the center line on the back wall. **(do not trim this edge)**

(b) = Wider edge (4-5/8") toward the corner of the back wall. **(trim this edge only)**

Measure the back wall from the 1" reference line in the corner to the center line drawn in **Step# 2**. This will be dimension "**L**". Trim the back panel to this dimension, cutting from the wider edge **(b)** of the back panel only. **(Fig 7a)**

Place a mark on the wider **(b)** edge of the **Back Panel (#02)** with a distance of "**L**" from the **(a)** edge of the **Back Panel (#02)**. Use a straight edge and draw a straight cut line from top to bottom. **(Fig 7b)**

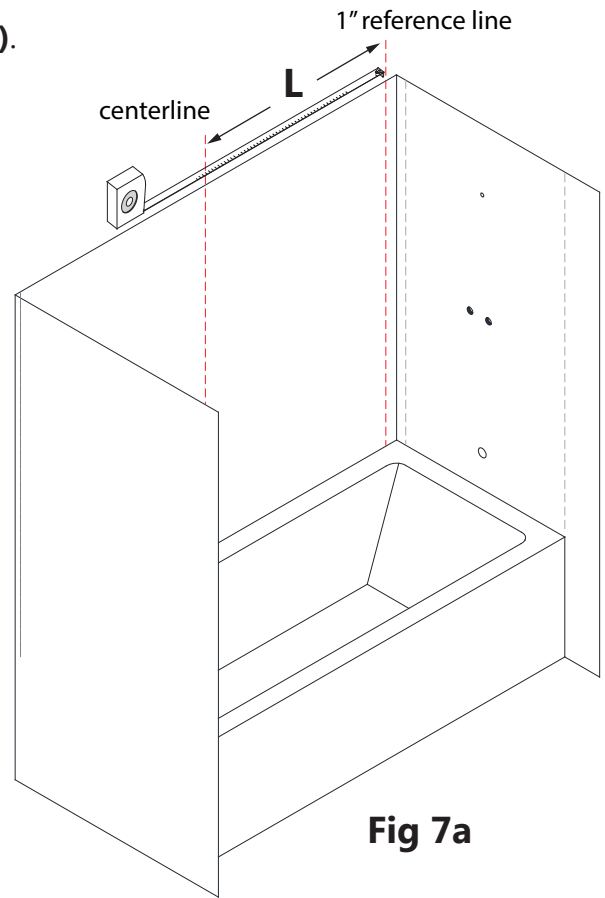


Fig 7a

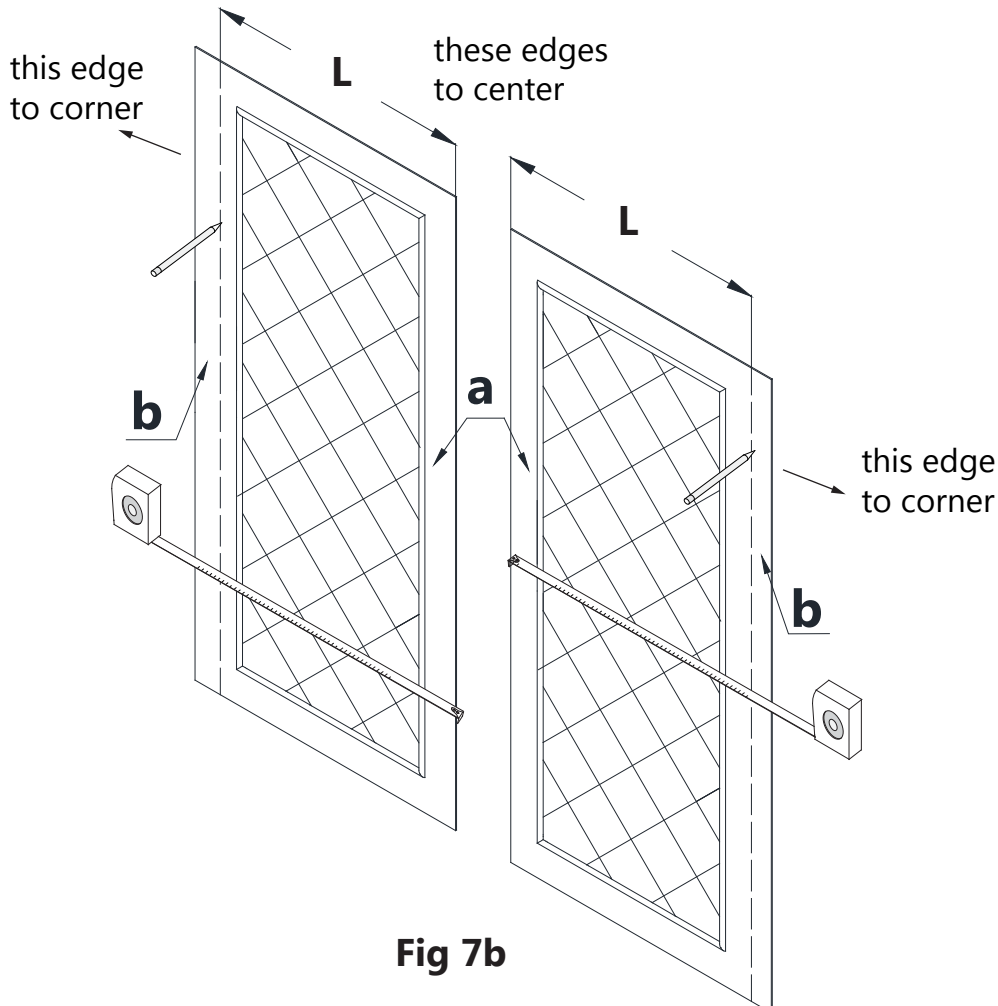


Fig 7b

8. Place the **Back Panel (#02)** onto a flat piece of plywood or particle board. Use a T-square and a sharp industrial knife to score along the cut lines (from the previous step) on the **Back Panel (#02)** and continue scoring until fully cut through the panel. **(Fig 8a and Fig 8b)**

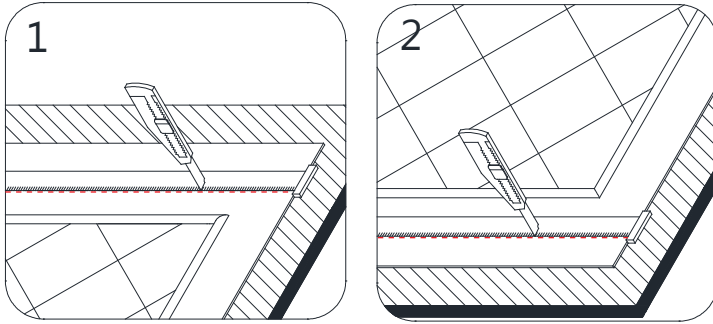


Fig 8a

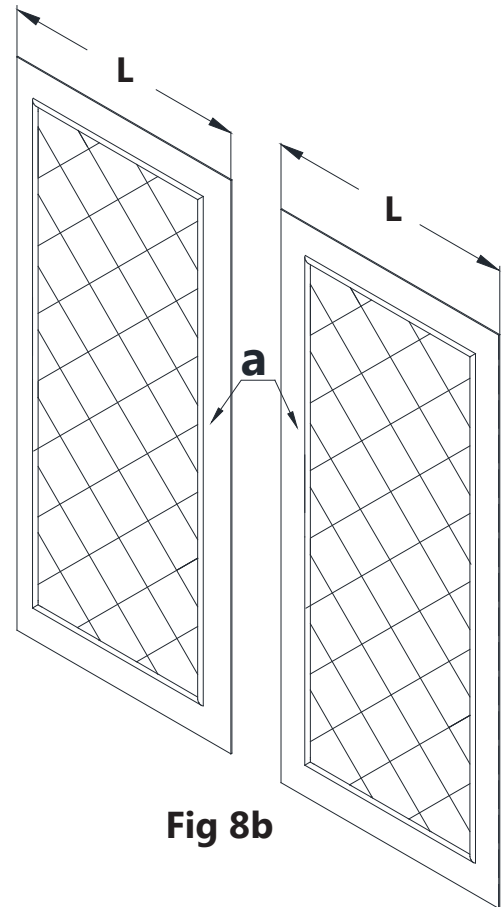


Fig 8b

9. Install the **Center Cover (#05)** to the center of the back wall using the **Countersunk Screws ST4.2×30 (#07)**. Do not fully tighten the screws yet. Leave the **Center Cover (#05)** loose on the wall for now. **(Fig 9)**

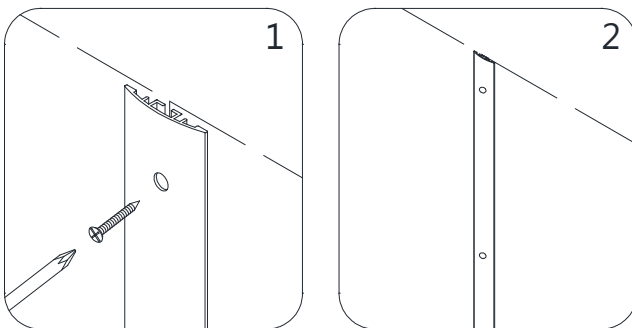


Fig 9

10. Apply adhesive to the entire back surface of the left **Back Panel (#02)**. **(Fig 10)**

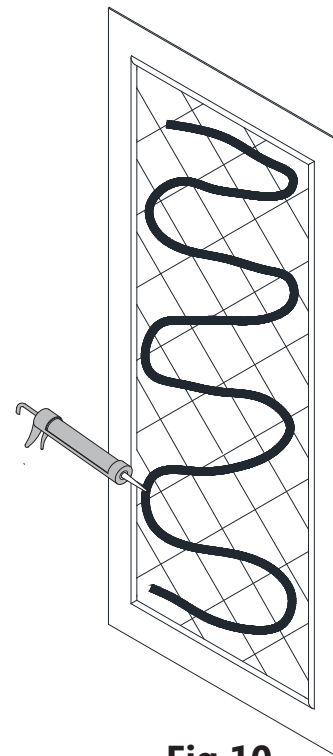


Fig 10

11. Slide the right edge of the left **Back Panel (#02)** behind the **Center Cover (#05)** and push the **Back Panel (#02)** flat against the wall up to the 1" vertical reference line in the corner. Adjust the position of the **Back Panel (#02)** before the adhesive sets. Apply equal pressure to the whole surface of the **Back Panel (#02)** from top to bottom. Fasten the **Corner Cover (#04)** to the left corner of the backwall using the **Countersunk Screws ST4.2×30 (#07)**. Do not fully tighten the corner cover screws yet. (**Fig 11**)

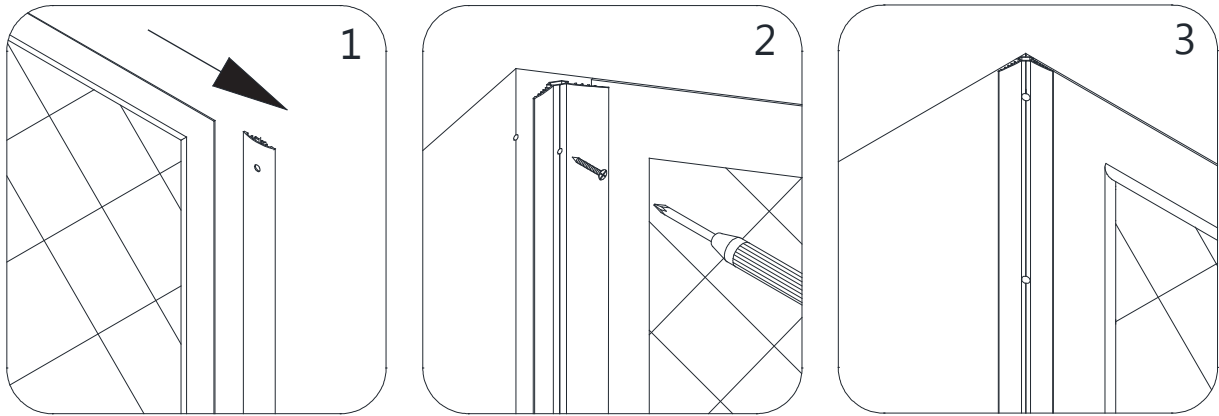


Fig 11

12. Repeat Step#10 and Step#11 to install the right **Back Panel (#02)** to the right side of the back wall. (**Fig 12**)

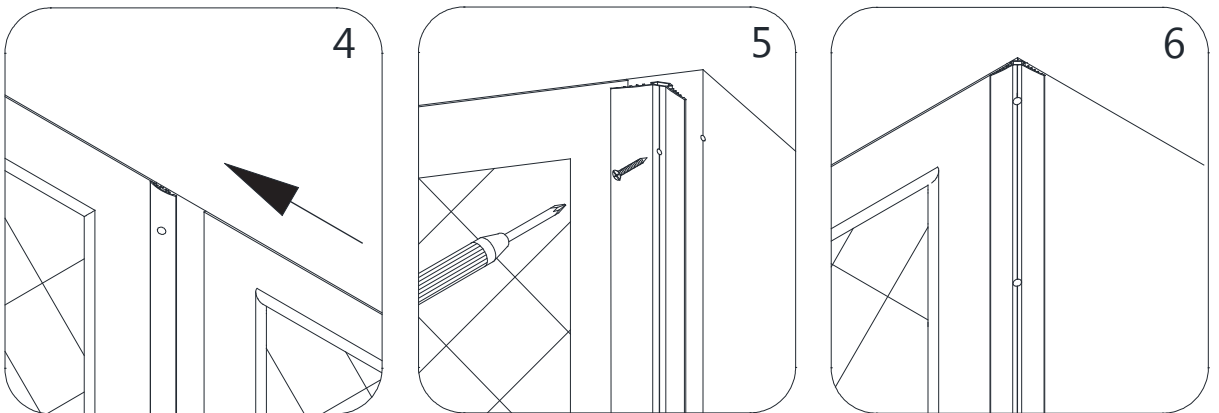


Fig 12

13. Align both **Back Panels (#02)** at the top and tighten the screws on the **Center Cover (#05)** to secure this assembly in place. Do not tighten the screws on the corner covers yet. (**Fig 13a** and **Fig 13b**)

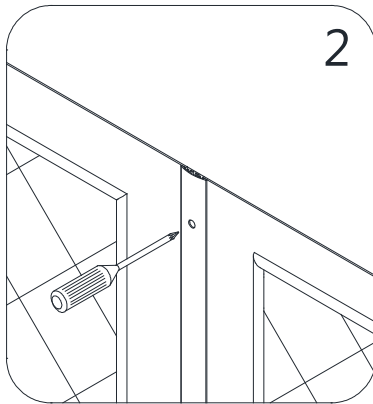
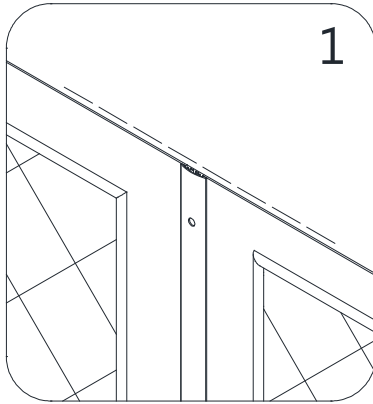


Fig 13a

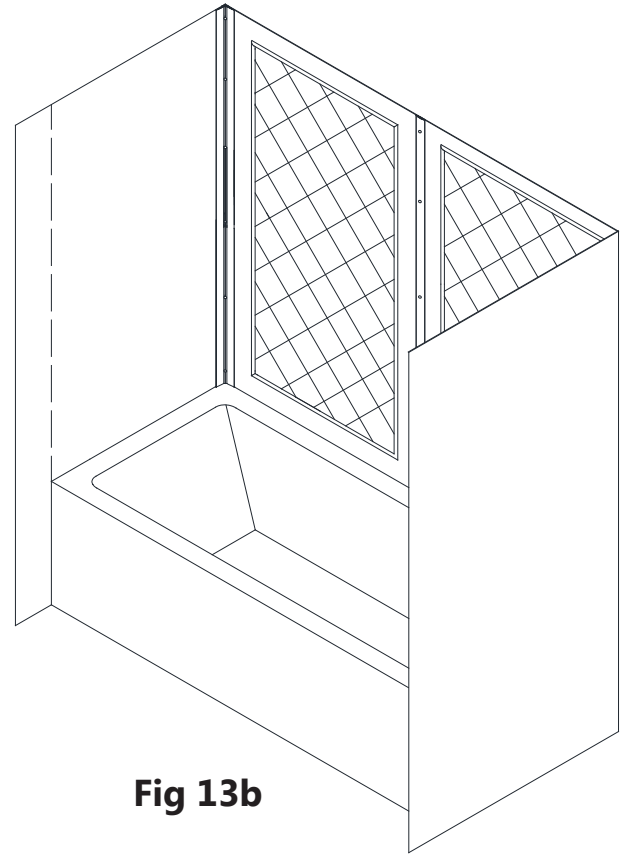


Fig 13b

Note: Refer to the "D" dimension from **Step #3** to determine the finished cut size "**S**" for the **Side Panel (#02)** in the next steps. ($D - 1" = S$)

14. Measure from the 1" reference line to the **D** dimension line from **Step #3**. This will be dimension "**S**". (**Fig 14**)

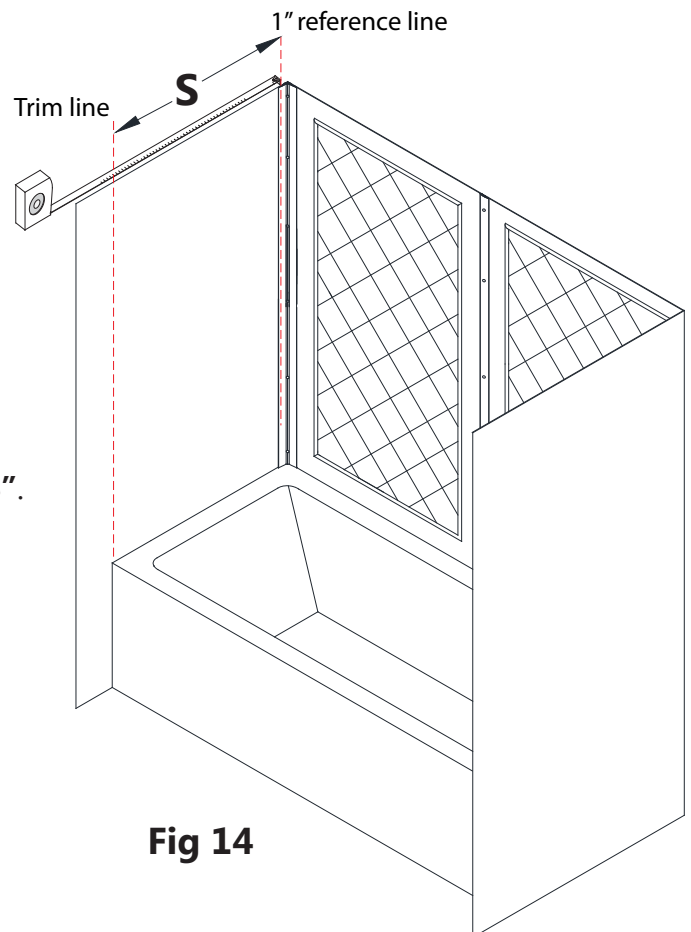


Fig 14

15. Mark the finished cut size "S" for both Side Panels (#01).

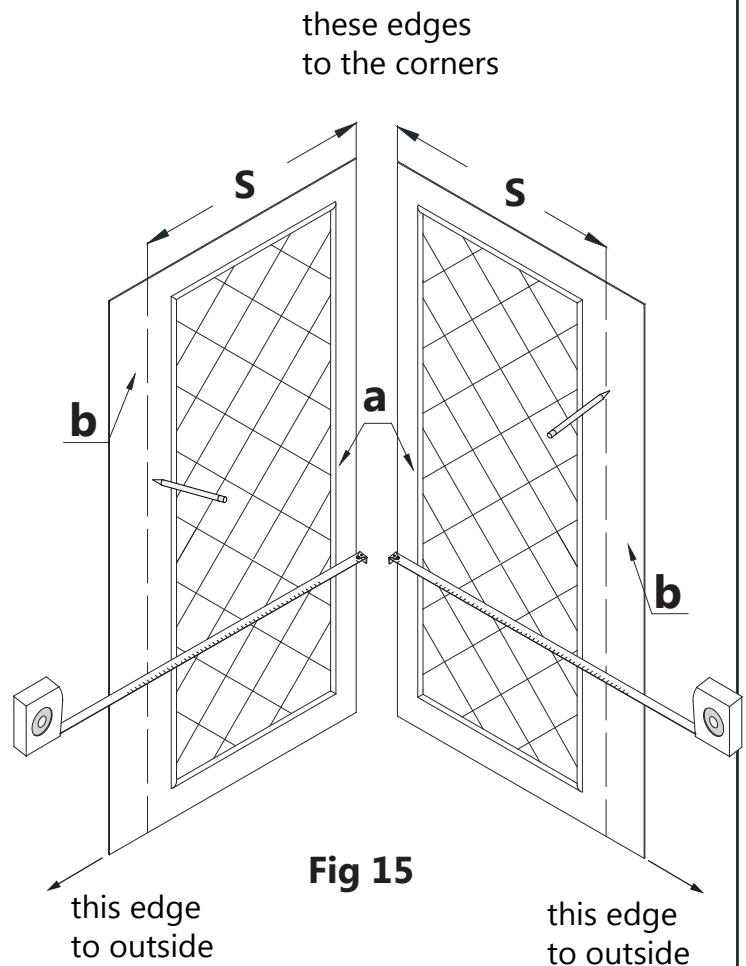
NOTE:

(a) = Narrow edge (3-3/8") toward the corner reference line (**do not trim this edge**)

(b) = Wider edge (6-3/8") toward the outside of the side wall. (**trim this edge only**)

Trim the side panels to the "S" dimension, cutting from the wider edge **(b)** of the side panels only.

Place a mark on the wider edge **(b)** of the Side Panel (#01) to the dimension of S from the corner side of the Side Panel (#01) to the front edge and draw a straight cut line from top to bottom. **(Fig 15)**



16. Place the Side Panel (#02) onto a flat piece of plywood or particle board. Use a T-square and a sharp industrial knife to score along the cut lines (from the previous step) on the Side Panel (#02) and continue scoring until fully cut through the panel. (Fig 16a and Fig 16b)

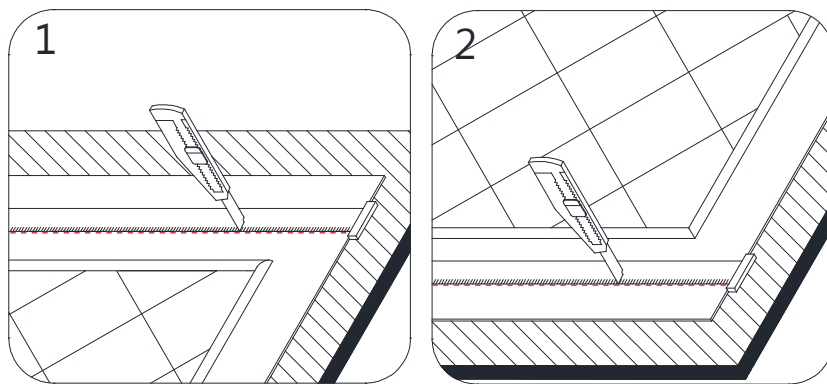
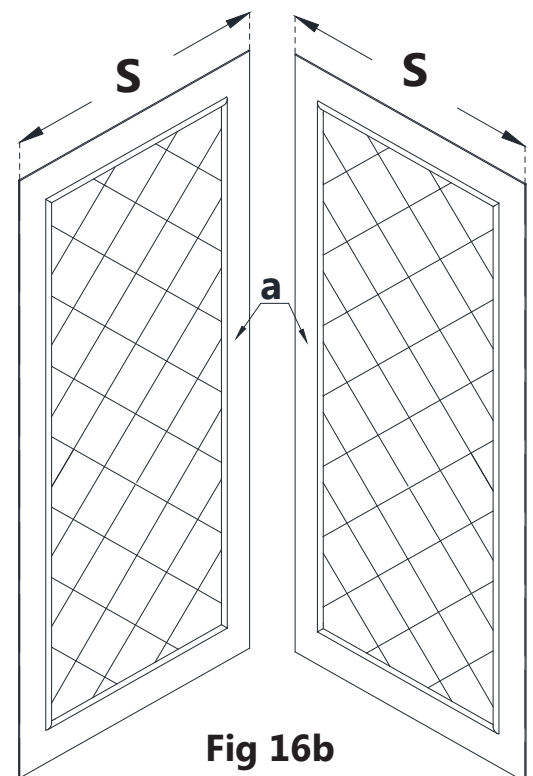
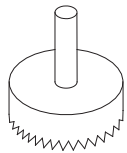


Fig 16a



17. Transfer the fixture hole measurements (from **Step #4**) onto the **Side Panel (#01)** that will be installed onto the wall with the fixtures. Drill the holes in the **Side Panel (#01)** using the appropriate diameter hole saw or a handheld jig saw. (**Fig 17a and Fig 17b**)



Hole Saw



NOTE: Be sure to drill the holes on the correct surface of the side panel to match the dimensions from Step#2

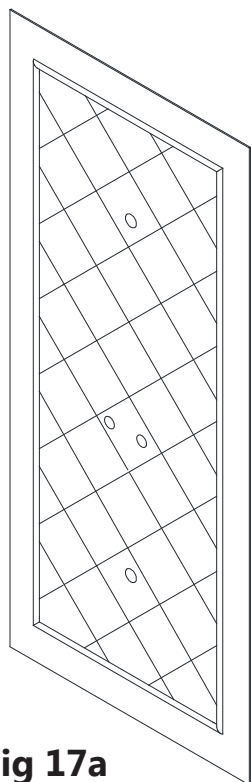


Fig 17a

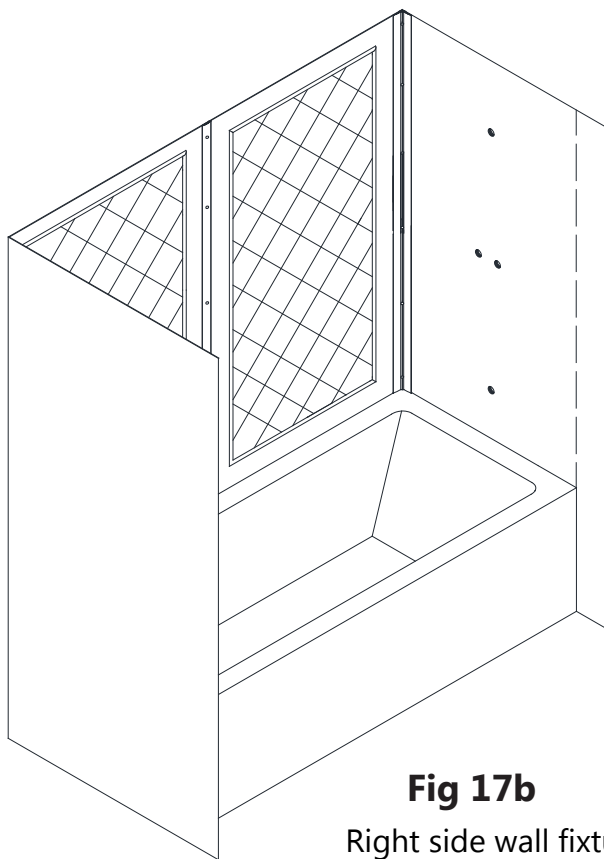


Fig 17b

Right side wall fixtures shown as an example

18. Apply adhesive to the entire back surface of the **Side Panel (#01)** and around the drilled fixture holes. (**Fig 18**)

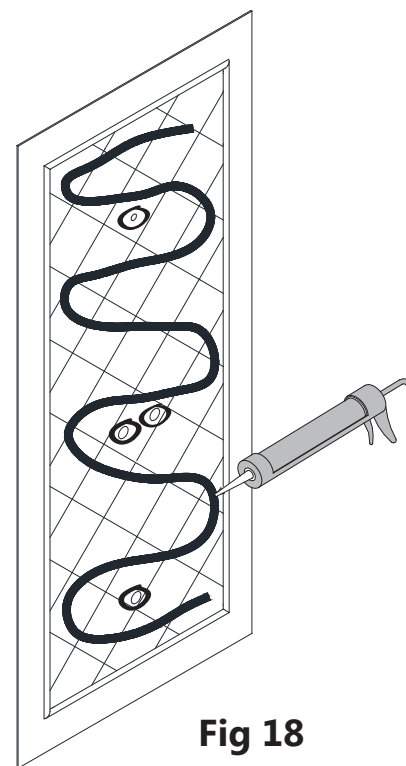


Fig 18

19. Slide the edge of the **Side Panel (#01)** behind the **Corner Cover (#04)** and push the **Side Panel (#01)** flat against the wall up to the vertical reference line toward the outside of the tub (**Fig. 19a.3**). Align the top of the **Side Panel (#01)** with the **Back Panel (#02)** before the adhesive sets. Apply equal pressure to the whole surface of the **Side Panel (#01)** from top to bottom.

*Peel off the adhesive tape on the back side of the **Decorative Edge Molding (#03)** and attach it to the front edge of the **Side Panel (#01)**. Apply pressure to the **Decorative Edge Molding (#03)** from top to bottom. (**Fig 19a**)

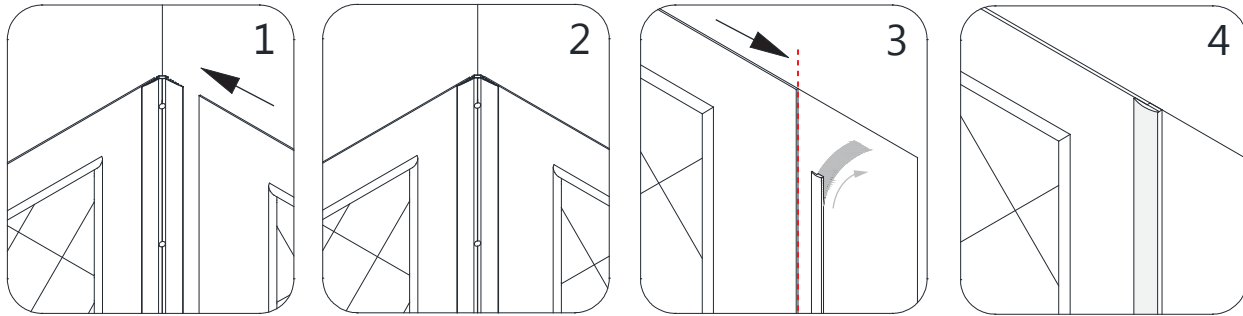


Fig 19a

TIP: *If also installing a shower door, the wall profile can be installed to hide the edge of the **Side Panel (#01)** behind the wall profile and not use the **Decorative Edge Molding (#03)**. (**Fig 19b**)

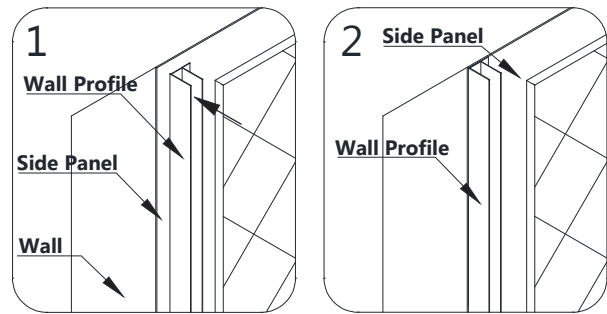


Fig 19b

20. Apply adhesive to the entire back surface of the **Side Panel (#01)** for the opposite side wall installation. Use the same technique to apply pressure over the entire surface and make the top edge even with the adjacent acrylic wall panel. (**Fig 20**)

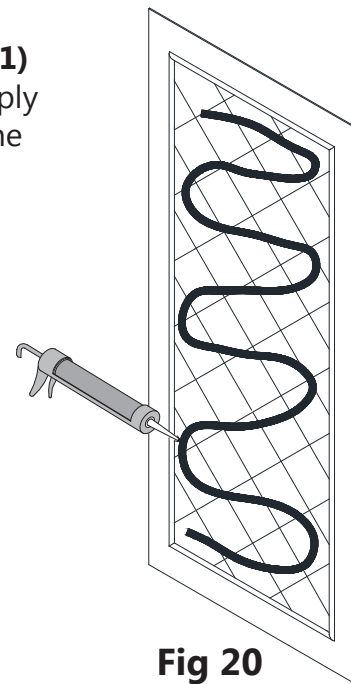


Fig 20

21. Repeat Step#18 to install the second **Side Panel (#01)**, tucking the **Side Panel (#01)** behind the corner cover and fully tightening the screws. **(Fig 21a and Fig 21b)**

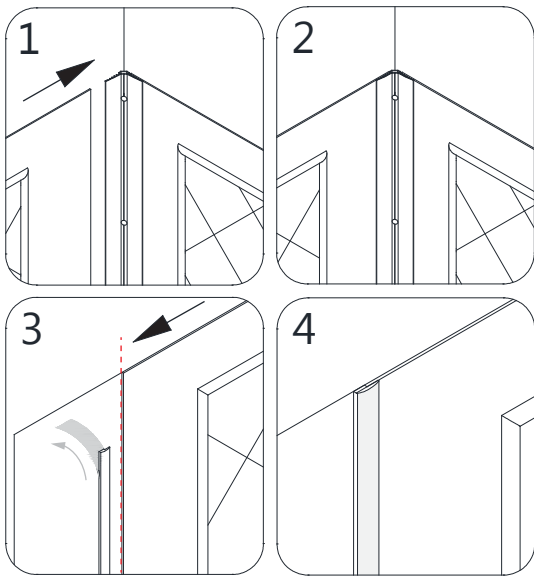


Fig 21a

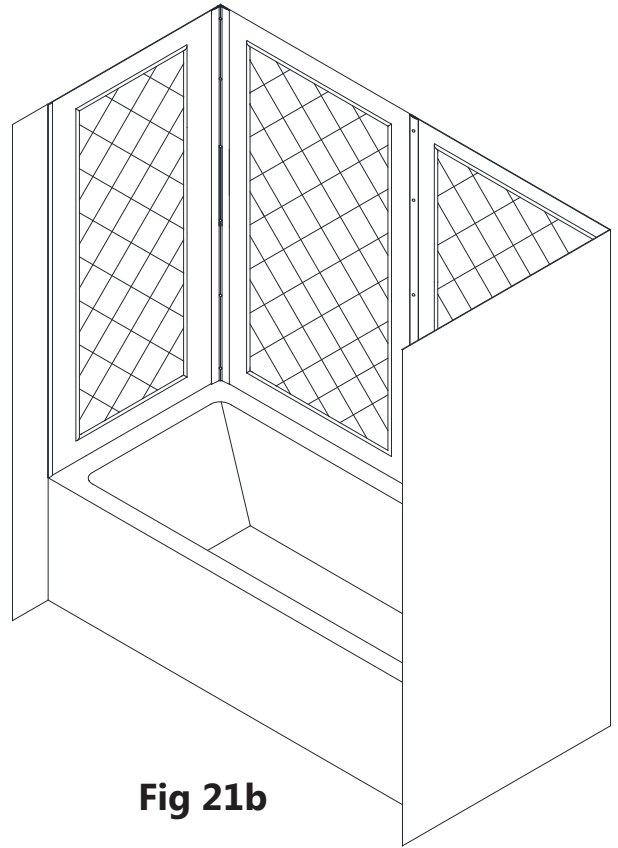


Fig 21b

22. Tighten the screws for the **Corner Covers (#04)** and the **Center Cover (#05)** to secure the **Side Panels (#01)** and the **Back Panels (#02)** in place. **(Fig 22)**

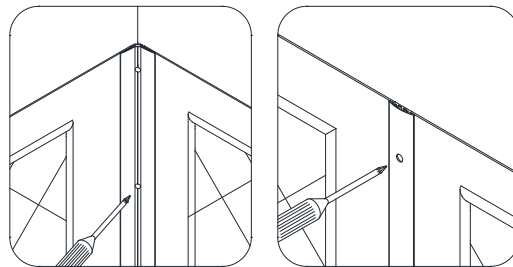


Fig 22

23. Use the **Decorative Covers (#08)** to cover the screw holes in the **Corner Covers (#04)** and the **Center Cover (#05)**. **(Fig 23)**

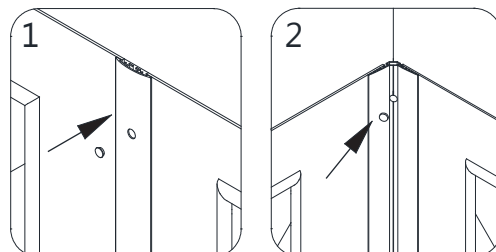



Fig 23

24. Apply a good quality mildew-resistant caulk or silicone along the top edge of the panels and corner covers and along the connection of the bottom edges of the panels with the tub. **(Fig 24)**

 **Allow 24 hours for the adhesive and silicone/caulk to cure before using the shower.**

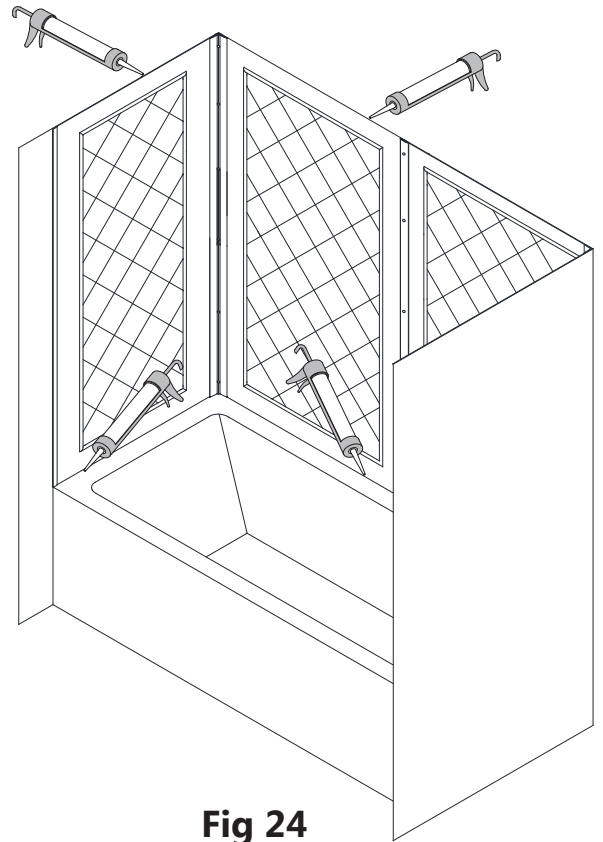
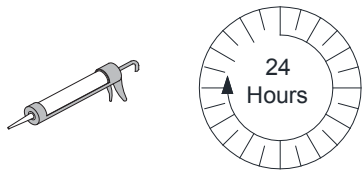


Fig 24



ATTENTION: The installation of the Q-WALL-Tub walls is complete.

To install the **optional Glass Shelves (#09)**, continue onto the next steps.

Glass Shelves Installation Instruction (optional)

25. Determine the preferred height for the **Glass Shelves (#09)** and mark the locations on the wall. (Fig 25)

NOTE:

Both **Glass Shelves** can be installed in one corner, or one shelf in each corner.

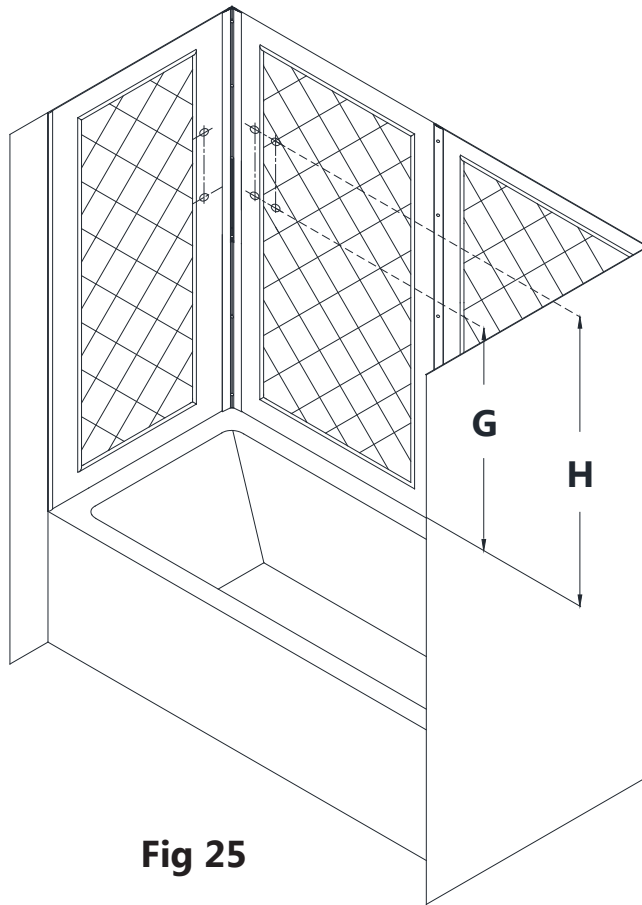


Fig 25

26. Mark the location for the **Shelf Brackets (#10)** according to the measurements in Fig 25.1. Drill the holes using $\text{Ø}5/16''$ drill bit and insert the **Wall Anchors (#06)**. (Fig 26)

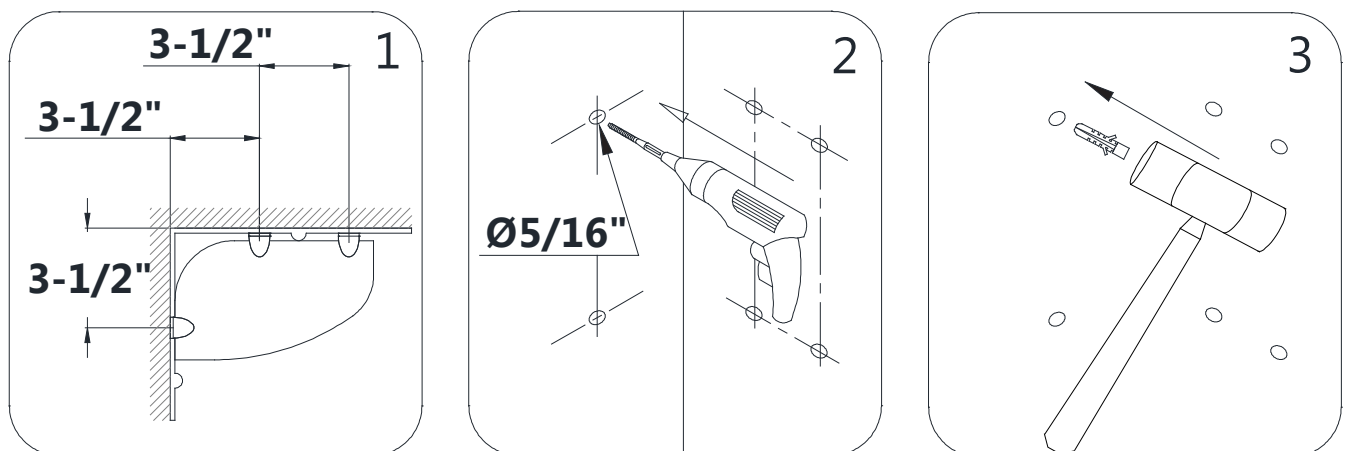


Fig 26

27. Mount the **Glass Brackets (#10)** to the wall using the **Countersunk Screws ST4.2×30 (#07)**.

NOTE: The **Glass Brackets (#10)** should be installed with the set screws on the bottom.

Slide the upper **Glass Shelf (#09)** into the **Glass Brackets (#10)** and tighten the set screws at the bottom of the brackets. Then slide the bottom **Glass Shelf (#09)** into place and tighten the set screws. (**Fig 27a and Fig 27b**)

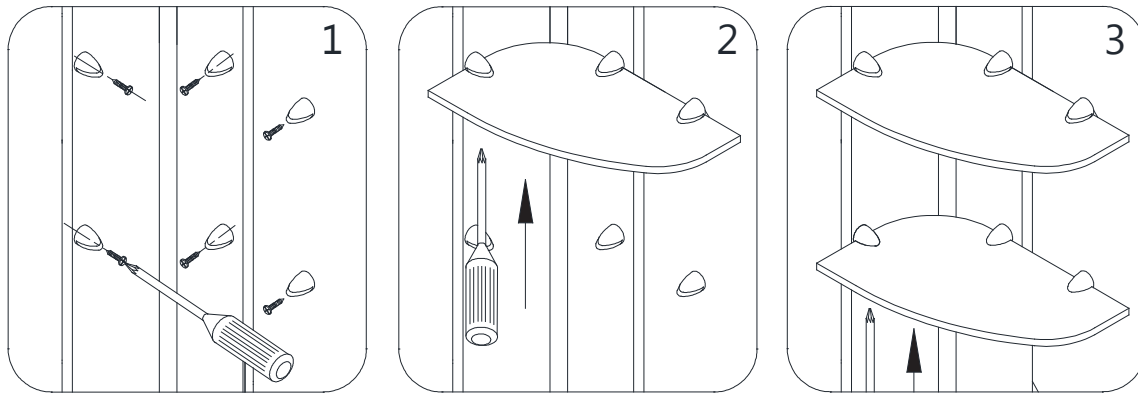


Fig 27a

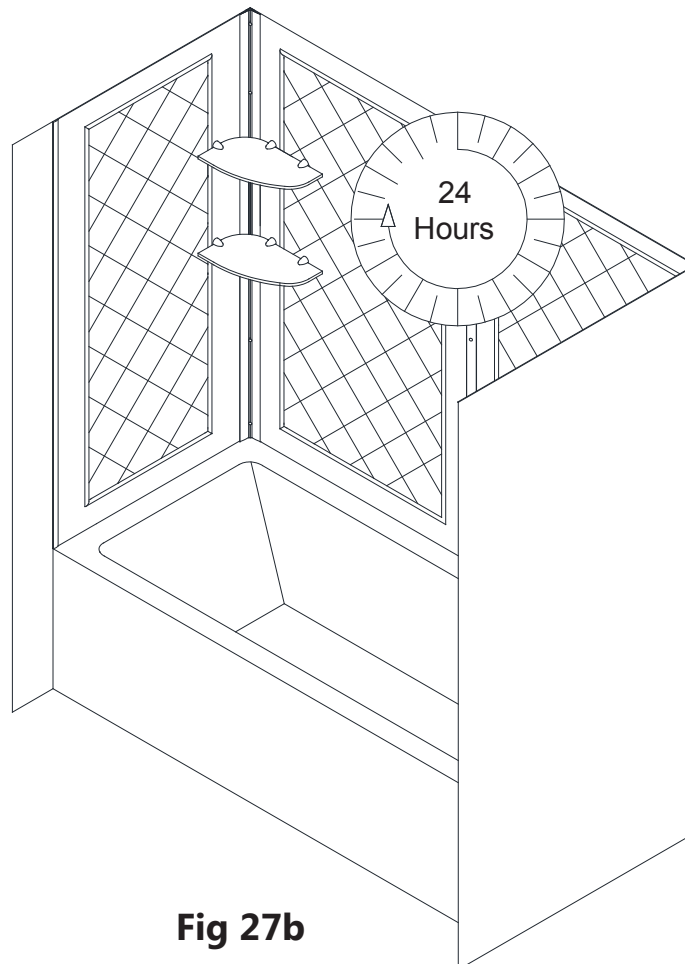


Fig 27b

Product Maintenance

BASES and BACKWALLS: To ensure long-lasting life for your acrylic back walls, wipe them off after each use with a soft cloth. To clean the acrylic back walls use non-abrasive sprays or cream based cleaners. Avoid the use of aerosol spray cleaners. Never use abrasive cleansers, metal brushes or scrapers that could scratch or dull the surface.

GLASS: To ensure long-lasting life for your glass shower products, wipe them off after each use with a soft cloth. Rinse and wipe off the glass using either a soft cloth or a squeegee to prevent soap buildup and water spots (Hard water can etch the surface of the glass over time if left to dry). To prevent scratching the surface: never use abrasive cleaners or cleaning products that contain scouring agents. Never use bristle brushes or abrasive sponges that may scratch the surface.

HARDWARE: To ensure a long-lasting finish, wipe off the metal parts after each use with a soft cloth. Do not use abrasive cleaners or cleaning products containing ammonia, bleach or acid. If accidentally used, rinse the surface as soon as possible to prevent damage to the finish (peeling or corrosion). After cleaning the polished finishes, rinse thoroughly and wipe dry with a soft cloth.

Clean stainless steel surfaces at least once a week. When applying stainless steel cleaner or polish to stainless steel hardware, work with (not across) the grain. Never use an abrasive sponge or cloth, steel wool or wired brush as these may permanently scratch the surfaces.

NOTE: To maximize the life of your door, it is important to regularly inspect the glass and all hardware for misalignment, proper attachment, and/or damage. Contact DreamLine® with any questions or concerns.



DREAMLINE[®]
THE ULTIMATE SHOWER DOOR

TEL: 866-731-2244
FAX: 866-857-3638
DREAMLINE.COM

For more information on DreamLine[®] Shower Doors and Enclosures please visit **DreamLine.com**

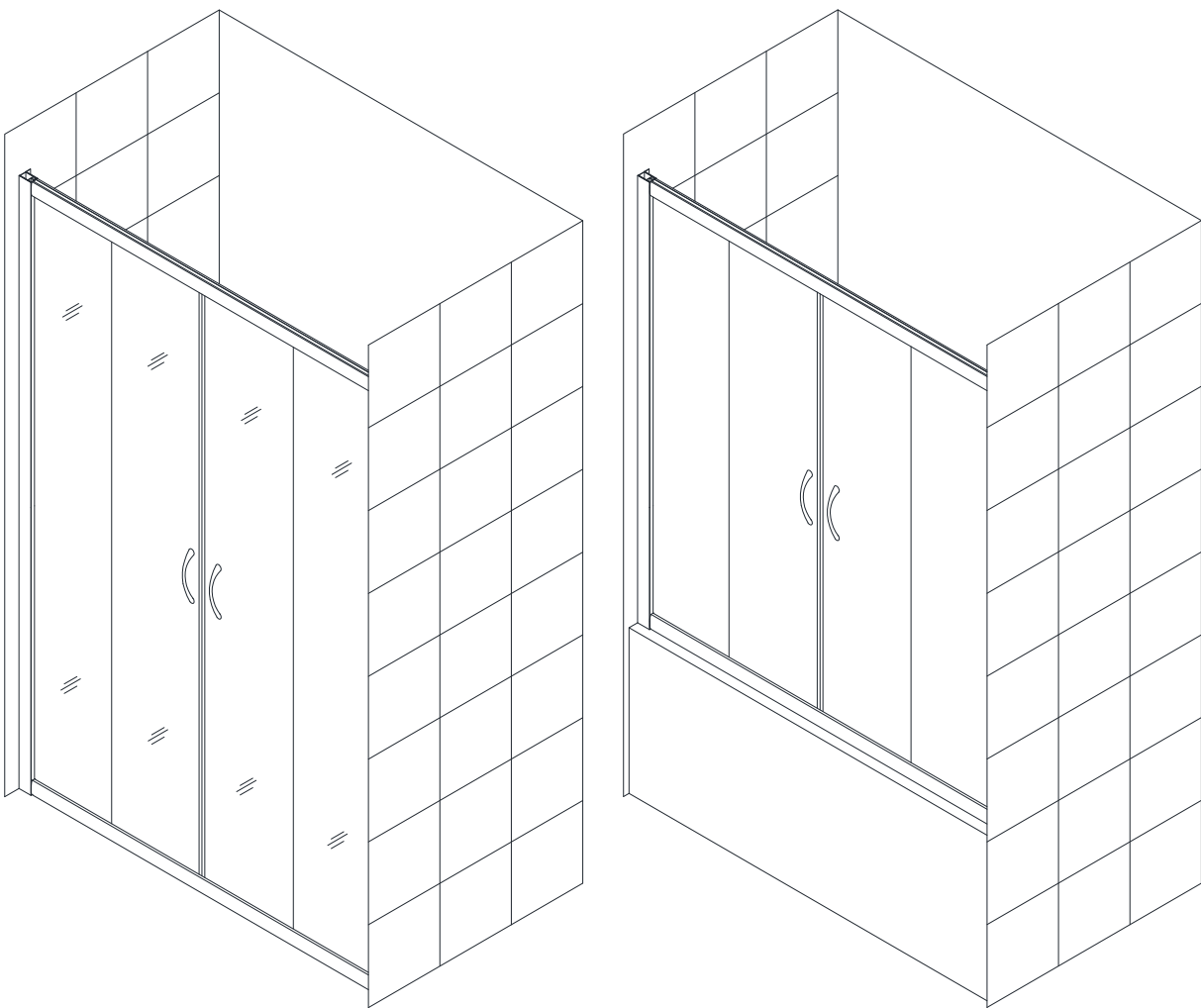


VISIONS

SHOWER DOOR & TUB DOOR INSTALLATION INSTRUCTIONS

IMPORTANT

DreamLine™ reserves the right to alter, modify or redesign products at any time without prior notice. For the latest up-to-date technical drawings, manuals or any other details please refer to your model's web page on BathAuthority.com



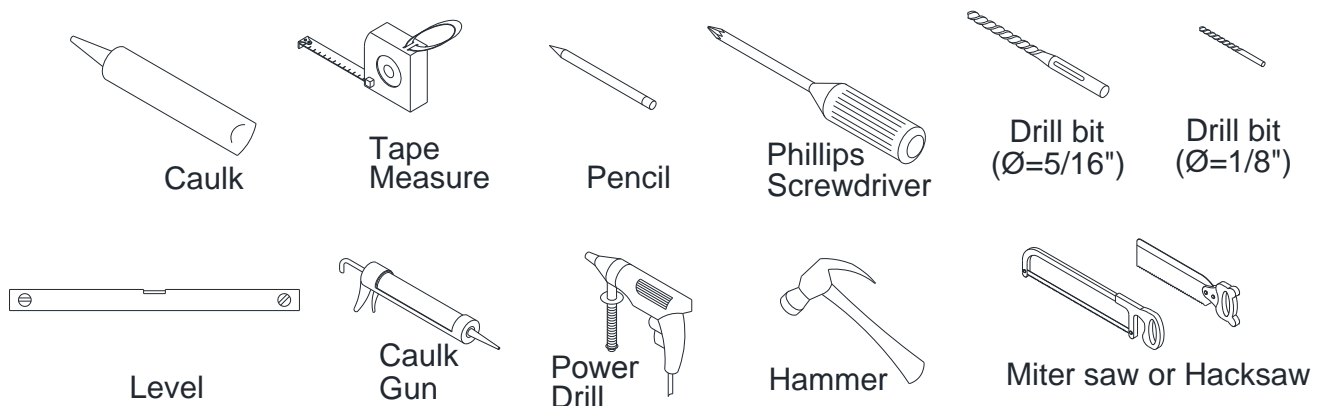
Please read these instructions carefully before installing. If you have any questions regarding installation, please contact our technical support specialists Monday through Friday 8:00 AM – 7:00 PM EST at Phone: 1-866-731-2244, Fax: 1-866-857-3638 or e-mail our technical support group at Support@BathAuthority.com

For more information about DreamLine™ Shower Doors & Tub Doors please visit www.BathAuthority.com

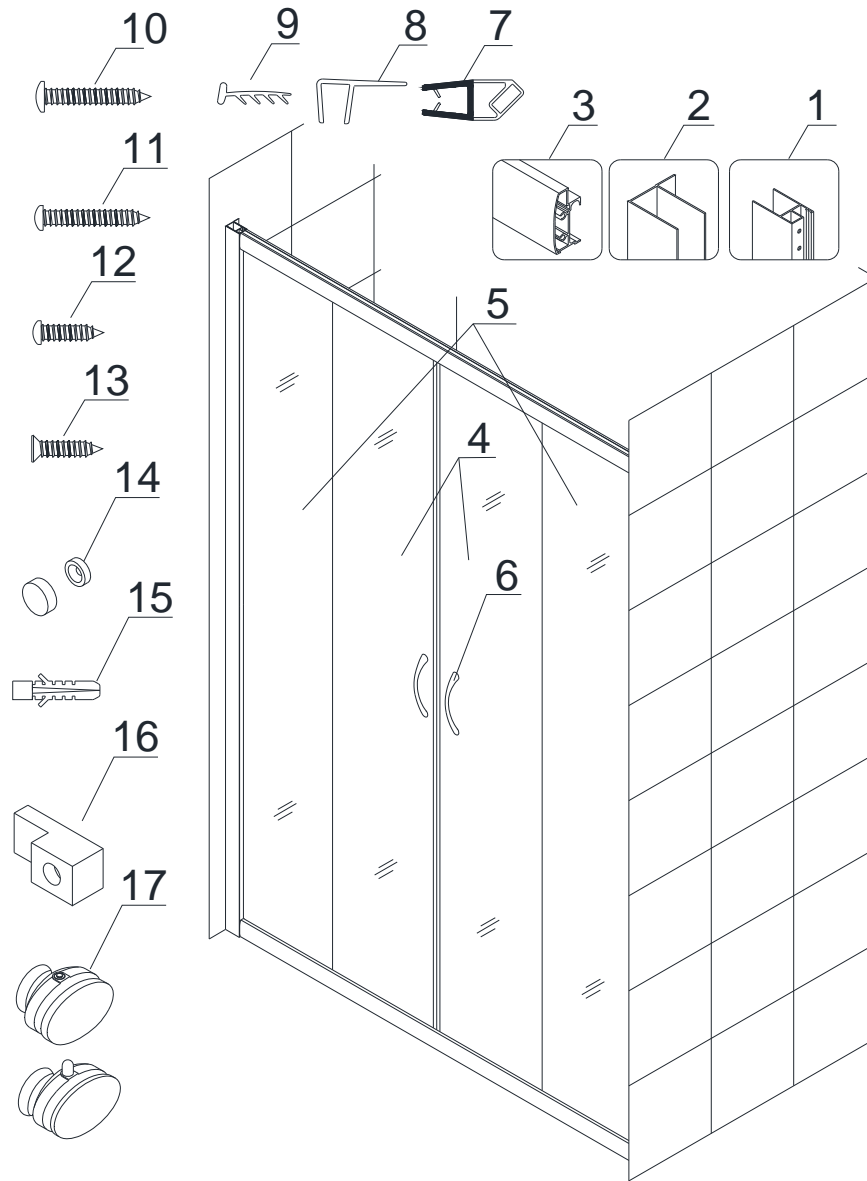
Preparation

1. Prior to installation, examine all boxes and packages for shipping damage and compare the piece count with your packing slip. After opening all boxes and packages read this introduction carefully. Check that all of the needed parts are included in the package by checking off the components on the "Detailed Diagram of Shower Door Components". If the unit has been damaged, has a finishing defect, or has missing parts, please contact our customer support department within **3 business days** of the delivery date. Please note that **DreamLine™ will not replace any damaged products or missing parts free of charge after 3 business days or if the product has been installed.** Feel free to contact DreamLine™ if you have any questions, and please provide an order number, job name or other proof of purchase to help us identify your original order.
2. **Please note that you should consult your local building codes with questions about installation compliance standards. Building and plumbing codes may vary by location, and DreamLine is not responsible for code compliance standards for your project.**
3. Install all of the required plumbing and drainage before securing the shower. **Have a competent and licensed (if required by local code) plumber or tradesman perform and/or approve your plumbing installation.**
4. Please make sure that prior to beginning the installation, the surfaces are leveled and solid and will be able to support the total weight of the unit. Also make sure the walls are at right angles. Irregular installation surface level, radius corners or improper angle of side walls will result in serious problems for your installation. Please, note that some adjustments and drilling may be necessary during the installation process.
5. Please protect all primary surfaces of the product during installation. Never set your glass down directly onto a tile floor. Leave corner protectors in place until necessary to remove them. Always use a piece of wood or cardboard to protect the bottom edge and corners of the glass prior to and during installation.
6. This unit must be installed upon a finished threshold and against finished walls.

Tools Required



Detailed Diagram of Shower Door Components



Packing List

01	Glass profile	2pcs	10	Round head screw ST4.2x30	8pcs
02	Wall profile	2pcs	11	Round head screw ST4.2x25	8pcs
03	Guide rail	2pcs	12	Round head screw ST4.2x10	4pcs
04	Glass door	2pcs	13	Flat head screw ST4.2x16	4pcs
05	Stationary glass	2pcs	14	Decorative cover	4pcs
06	Handle	2pairs	15	Wall anchor	8pcs
07	Magnetic strip	1pair	16	Glass holder	4pcs
08	Anti-water strip	4pcs	17	Wheel assembly	4pairs
09	Single side strip	2pcs			

NOTE: Unpack your unit carefully and inspect it. Lay it out and identify all parts using parts diagram and part list in your manual as a reference. Before discarding the carton, check for small hardware bags that tend to fall to the bottom of the box. If any parts are damaged or missing, please contact DreamLine™ for replacement.

Shower Door Installation

1. Measure the distance between the two finished walls at the top, middle and bottom. This distance is marked as "**W**".

Also check the threshold for level and the walls for plumb.

See Fig. 1 for details.

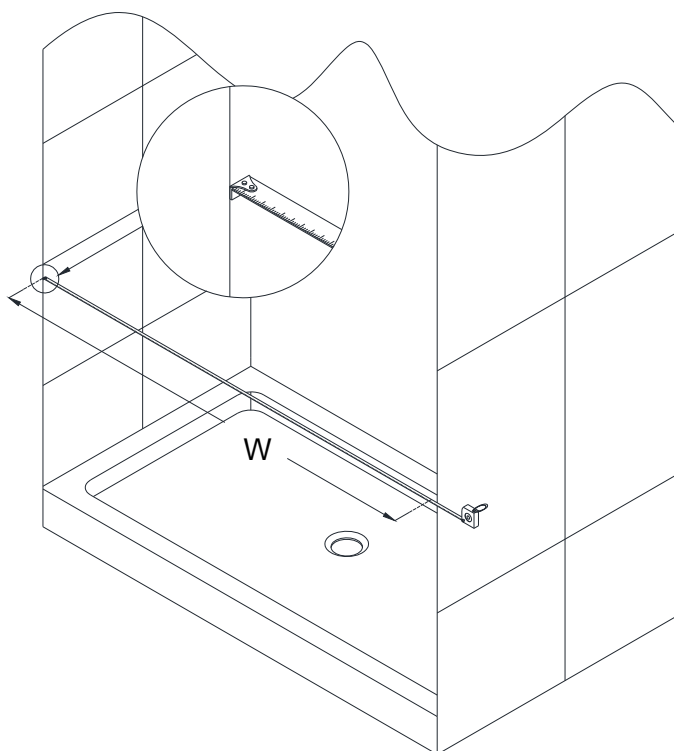


Fig. 1

2. Your **Guide rails (#03)** have been precut for the model width of: **60"**. (the rails are shorter than the model width by design).
If **W** is less than 60" (**W < 60"**), then you will need to cut the **Guide rails (#03)** equally from both ends.
Model Width-Finished opening $W = L$
The length to cut off will be "**L**".

In order to keep the pre-drilled center stopper holes centered, it is necessary to cut the top and bottom guide rails equally from both ends. Take **L** and divide by 2 and **cut off equally from each end**.

Example:

60" (model) - 58" opening = 2"

2" divide by 2 = 1" (cut from each end)

See Fig. 2 & Fig. 3 for details.

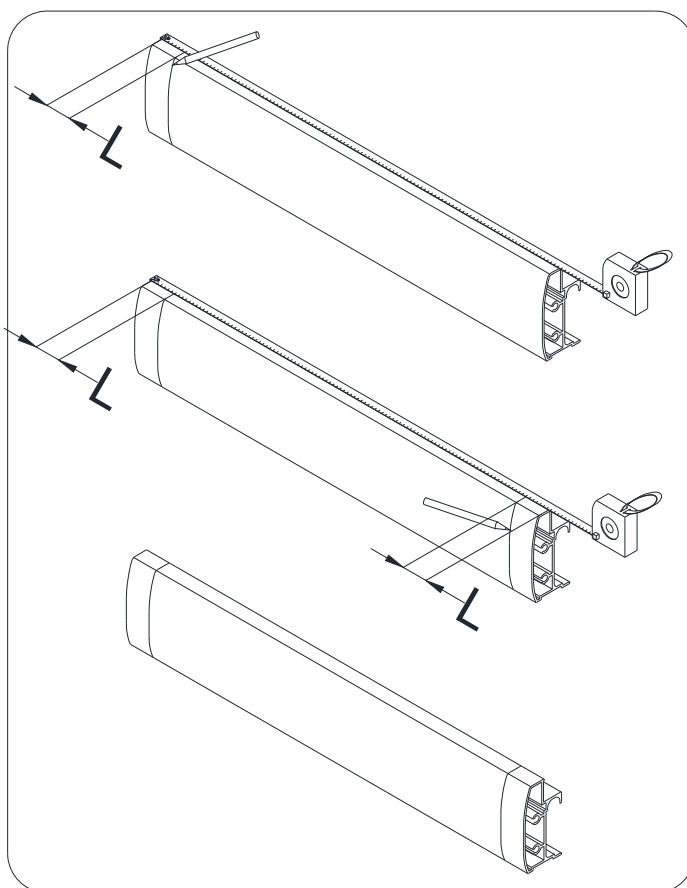


Fig. 2

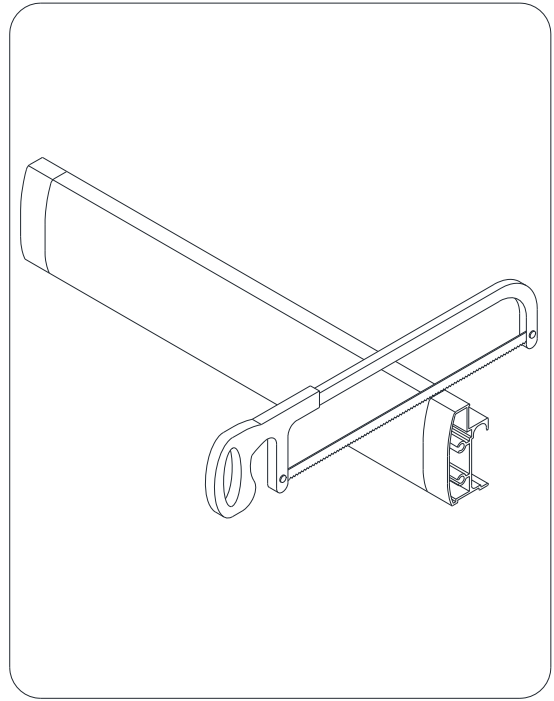


Fig. 3

3. Once the **Guide rails (#03)** have been cut, you will need to reinstall the roller stoppers on each **Guide rail (#03)** on both ends. It is important that these stoppers are installed at the correct location. Remove the existing stopper. Mark the drilling hole at a distance of **2"** from the cut off end of the **Guide rail (#03)**. Drill a new hole using an **Ø 1/8"** drill bit; then re-attach the stopper with the screw.

ATTENTION:

Do not drill all the way through the Guide rail, only drill into the first layer.

See Fig. 4 for details

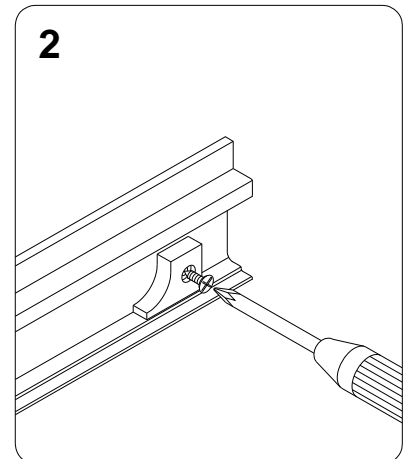
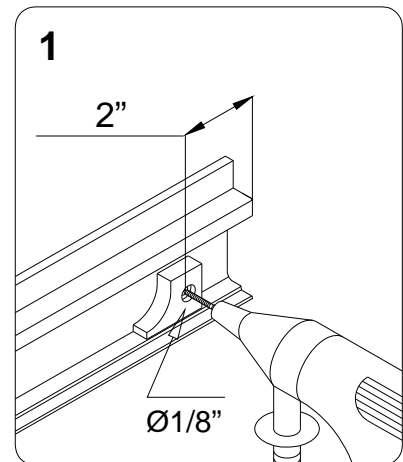


Fig. 4

4. Fasten the bottom **Guide rail (#03)** to the **Glass profiles (#01)** with the **Round head screws ST4.2x25 (#11)**.
See Fig. 5 for details.

TIP: For ease of assembly, add some liquid soap or wax to lubricate the screws prior to attaching the glass profiles to the guide rails. Also, use a low setting on your power drill to prevent stripping the screws during assembly.

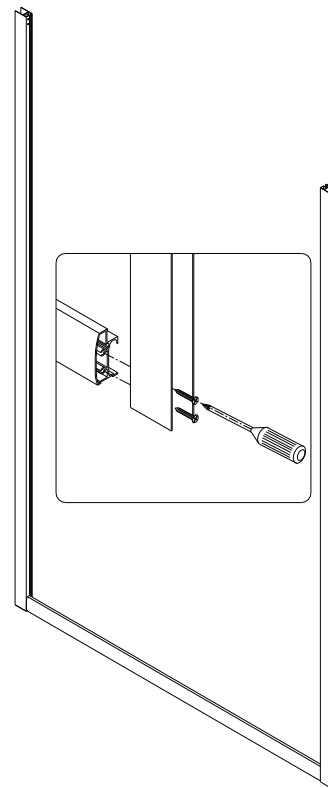


Fig. 5

5. Slide both pieces of **Stationary glass (#05)** fully into the grooves of the **Glass profiles (#01)**, and then secure them using the **Glass holders (#16)** to the bottom **Guide rail (#03)** using the **ST4.2 x 16 FH screws (#13)**. It may be necessary to drill an $\text{Ø } 1/8''$ hole in the rails to attach the **Glass holders (#16)**. Mark the holes and remove the glass to drill these holes to prevent damaging or breaking the glass while drilling.

See Fig. 6 for details.

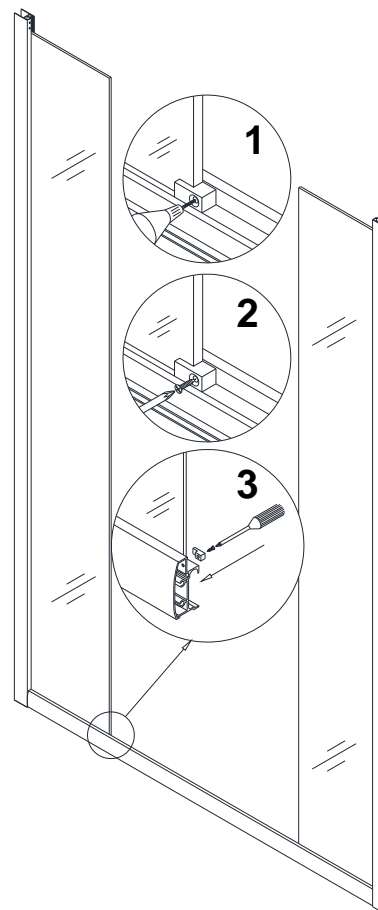


Fig. 6

6. Install the **Single side strips (#09)** in-between the **Stationary glass (#05)** and the **Glass profiles (#01)**. The strips should be inserted on the side that is facing the inside of the shower. (See detail in Fig. 7)

ATTENTION:

Do not use a screwdriver or other metal objects to install the Single Side Strip; you can scratch or damage the glass and aluminum.

7. Repeat Step #4 and Step #5 to fasten the upper **Guide rail (#03)** to the **Glass profiles (#01)** and secure the **Stationary glass (#05)** with the **Glass holders (#16)**.

See Fig. 7 for details.

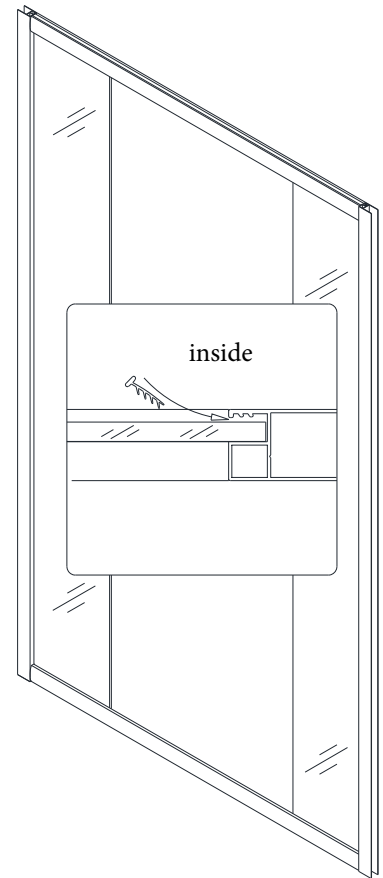


Fig. 7

8. Slide the **Wall profiles (#02)** all the way into the **Glass profiles (#01)** on both sides. Make sure the flanges of the **Wall profiles (#02)** face inside the shower.

See Fig. 8 for details.

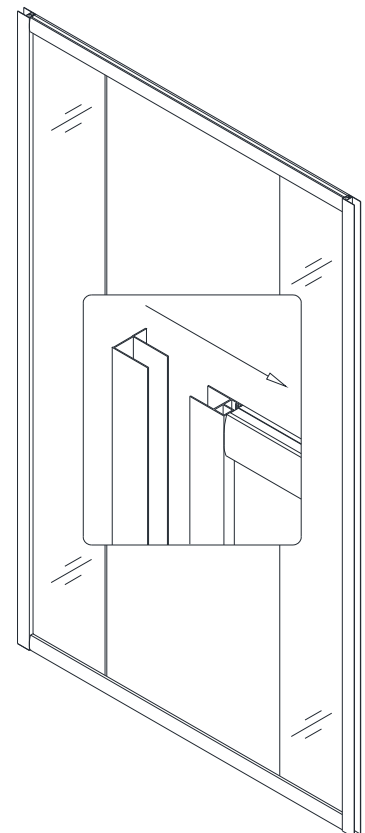


Fig. 8

9. Move the finished frame to the designated position on the shower base, the bathtub or the threshold (depending on your installation); push it against the walls. If your top and bottom wall opening measurements vary or if the walls are out-of-plumb, make adjustments by sliding the **Wall profiles (#02)** out of the **Glass Profiles (#01)**.
Use a level to adjust the frame so that it is plumb.

See Fig. 9 for details.

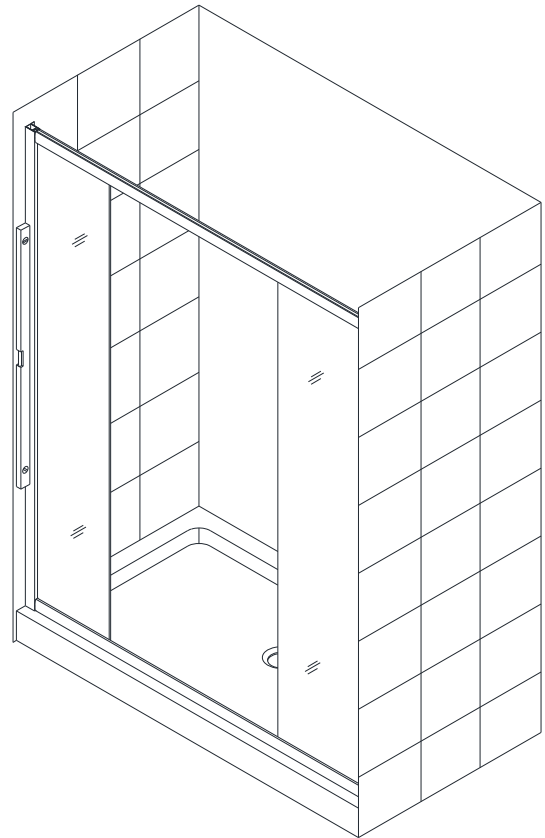


Fig. 9

10. Using help to hold this assembly in the right position, mark the drill holes on the wall through the holes on the flange of the **Wall Profiles (#02)**.
11. Gently set the assembled unit aside; drill the holes using a $\text{Ø } 5/16''$ drill bit and insert the **Wall anchors (#15)**.
Apply silicone caulk along the **Wall profiles (#02)** and around the holes on the wall. Also apply silicone under the bottom **Guide rail (#03)**.
Place the whole shower assembly back into the designated position and secure it to the walls using the **Round head screws ST4.2x30 (#10)**.

See Fig. 10 for details.

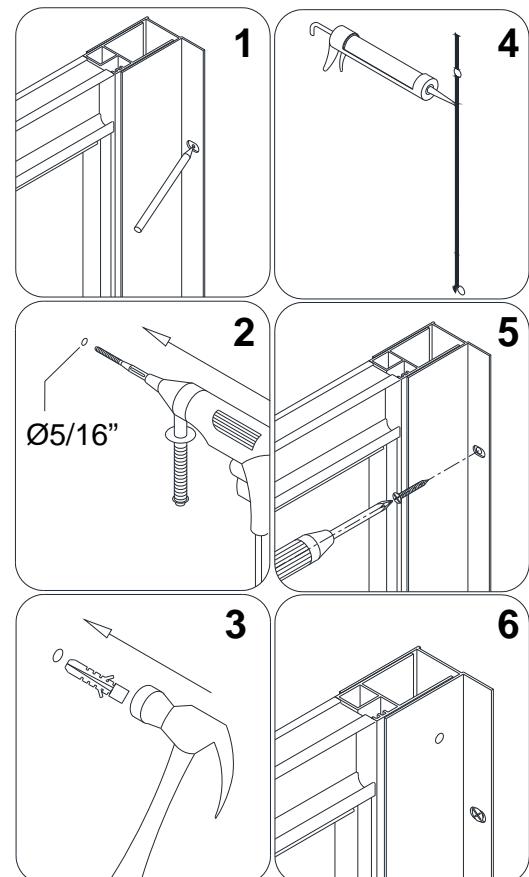


Fig. 10

12. Fasten the top and the bottom **Wheel assemblies (#17)** to the **Glass doors (#04)**. The top wheels can adjust the door level with the adjustable bolt and lock nut. The bottom wheel has a press button to fix the wheel on to the bottom **Guide rail (#03)**.

Note:

The lock nut of the upper wheel and the press button of the bottom wheel should be pointing up. (Fig 11.1 and 11.2)

See Fig. 11 for details.

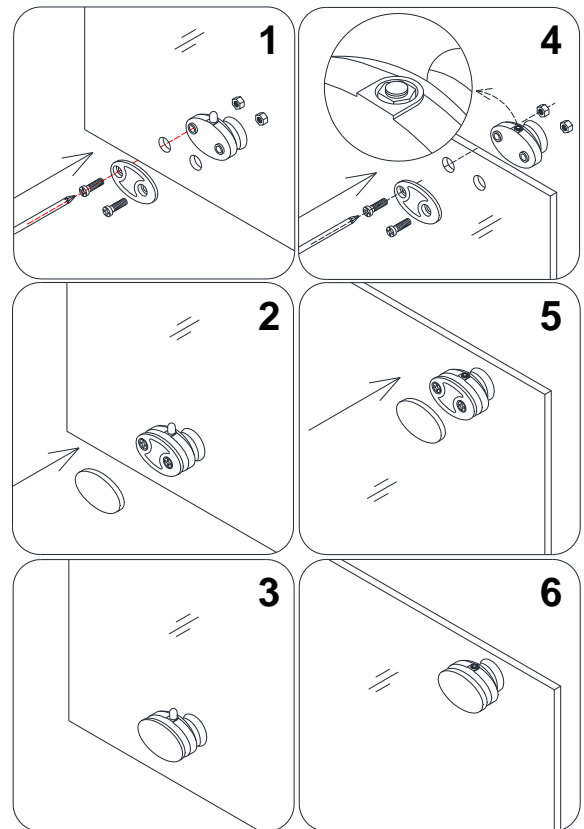


Fig. 11

13. Slide the top door wheels into the top **Guide rail (#03)**. Push the bottom wheels into the bottom **Guide rail (#03)** by pressing down on the button on the **Wheel assembly**. (Fig 12.2) Use a Phillips screwdriver #2 to adjust the upper wheels to make sure they track smoothly and the door closes tight. **(do not use a power screwdriver to avoid damaging the assembly)**

See Fig. 12 for details.

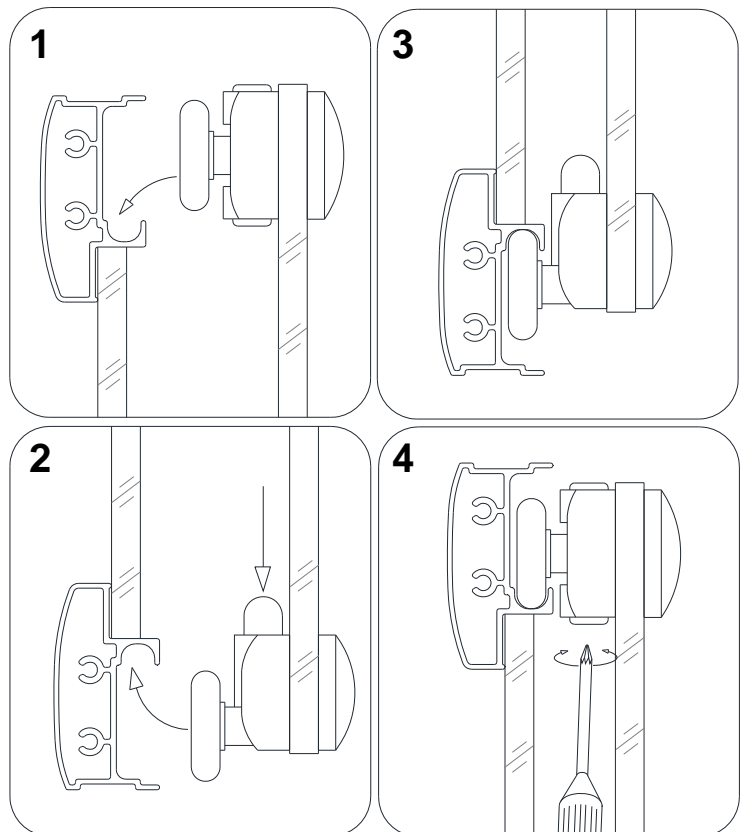


Fig. 12

14. Install the **Handles (#06)** to the **Glass doors (#04)**.(Fig 13.1)
 Press the **anti-water strips (#08)** onto the vertical edges of the **Stationary glass (#05)** and both vertical edges of the **Glass doors (#04)**.
 Press the **Magnetic strips (#07)** onto the vertical edges of both **Glass doors (#04)** for a tight seal.

See Fig. 13 for details.

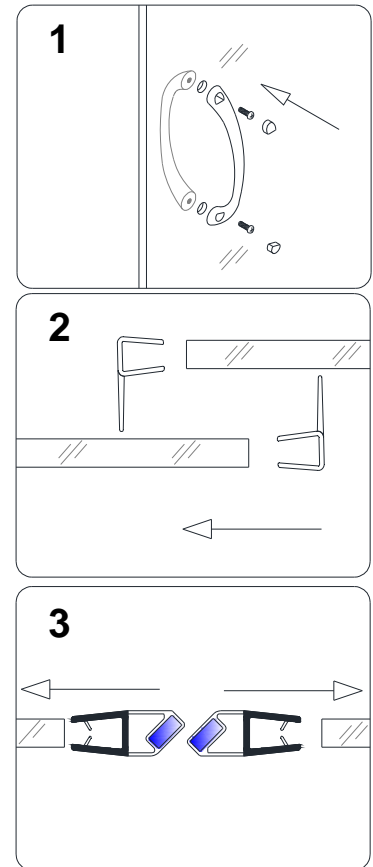


Fig. 13

15. Do the final adjustments of the assembled unit in the **Wall profiles (#02)**. **Make sure that the bottom rail is tight to the the threshold.**

Drill the holes in the **Glass profile (#01)** through predrilled holes in the **Wall Profile (#02)** using $\text{Ø } 1/8''$ drill bit.

ATTENTION:

Do not drill the profile throughout, only the first layer of the wall profile.

Secure the **Wall profile (#02)** to the **Glass profile (#01)** using the **Round head screws ST4.2×10 (#12)**.

Cover the exposed screw heads with the **Decorative covers (#14)**.

See Fig. 14 for details.

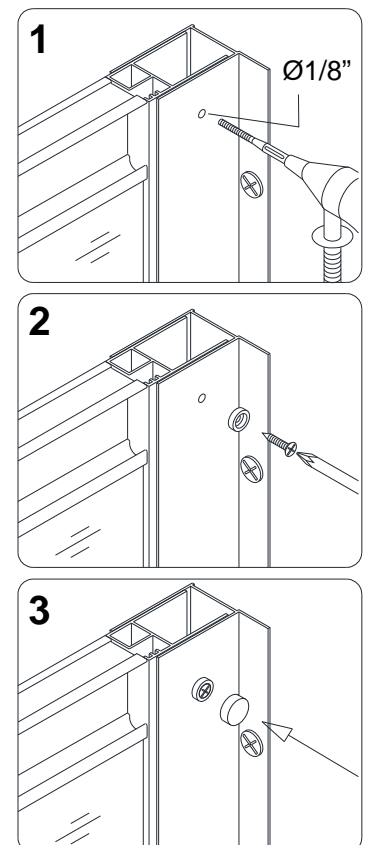


Fig. 14

16. Apply a good quality mildew resistant silicone along the profiles and guide rails; on the seams between the bottom guide rail and the profiles as well as along the shower base or threshold.

See Fig. 15 for details.

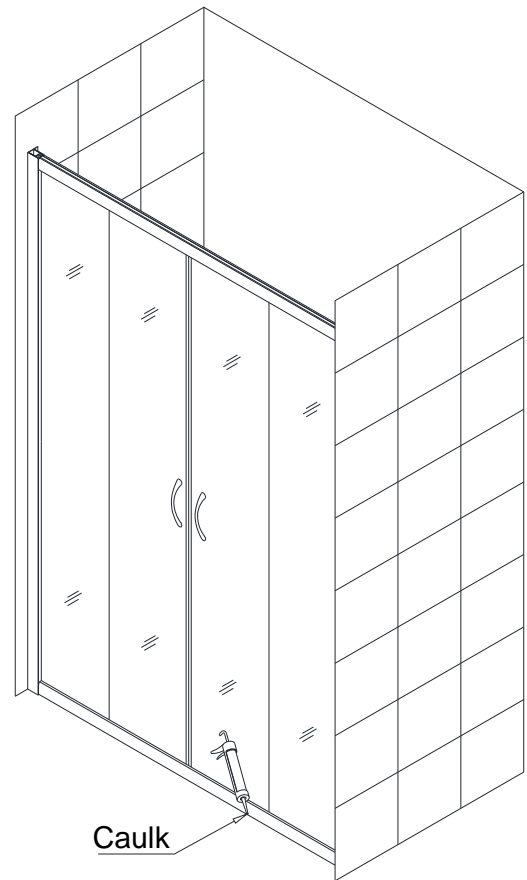


Fig. 15

Product Maintenance

BASES and BACKWALLS: To ensure a long life for your acrylic back walls: wipe them off after each use with a soft cloth. To clean the acrylic back walls use non-abrasive sprays or cream based cleaners. Never use abrasive cleansers, metal brushes or scrapers that could scratch or dull the surface.

GLASS: To ensure long lasting life for your glass shower products: wipe them off after each use with a soft cloth. Rinse and wipe off the glass using either a soft cloth or a squeegee to prevent soap buildup and water spots. To prevent scratching the surface: never use abrasive cleaners and cleaning products that contain scouring agents. Never use bristle brushes or abrasive sponges.

HARDWARE: To ensure a long lasting finish: wipe off the metal parts after each use with a soft cloth. Do not use abrasive cleaners or cleaning products containing ammonia, bleach or acid. If accidentally used, rinse the surface as soon as possible to prevent finish peeling or corrosion. After cleaning the shiny finishes, rinse thoroughly and wipe dry with soft cloth. Clean stainless steel surfaces at least once a week. When applying stainless steel cleaner or polish, work with (not across) the grain. Never use abrasive sponge or cloth, steel wool or wired brushes.



TEL: **866-731-2244**

FAX: **866-857-3638**

WWW.BATHAUTHORITY.COM

For more information on [DreamLine™ Shower Doors](#) & [Tub Doors](#) please visit www.BathAuthority.com

VISIONS

SHOWER AND TUB DOOR INSTALLATION INSTRUCTIONS

IMPORTANT

DreamLine[®] reserves the right to alter, modify or redesign products at any time without prior notice for the purpose of product improvement and customer experience. Please refer to the model's web page on **DreamLine.com** for the latest technical drawings, installation manuals, warranty information or additional product details.

MODEL #s

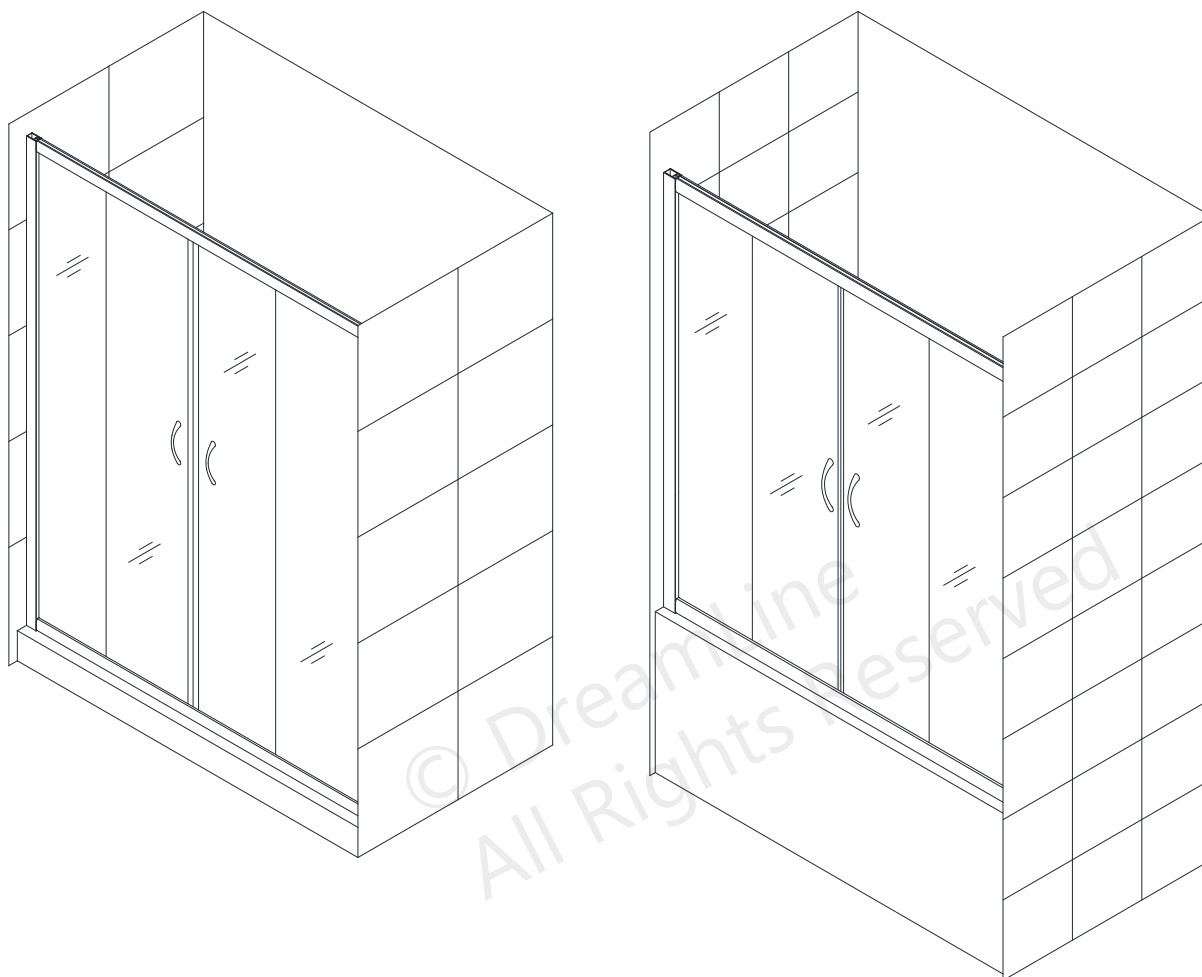
SHDR-1160586-##

SHDR-1160726-##

##=finish

01- Chrome

04- Brushed Nickel



PLEASE REVIEW THIS ENTIRE MANUAL PRIOR TO INSTALLATION



Questions?

Please Call **DreamLine** Customer Support: **1-855-831-2126**
Hours of Operation M-F 8AM - 7PM EST and Saturday 9AM - 5PM EST

Support@DreamLine.com



For more information about DreamLine[®] Shower Doors, Tub Doors & Enclosures, please visit **DreamLine.com**

Table of Contents

Section Title	Page #
Adjustable Wall Profile System	2
Preparation	3
Tools	4
Parts List	5-6
Installation Steps	7-15
Wheel Assemblies	12
Vinyl Seals	13
Product Maintenance	16

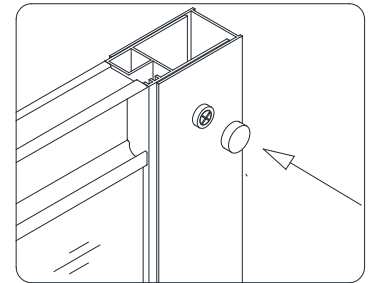
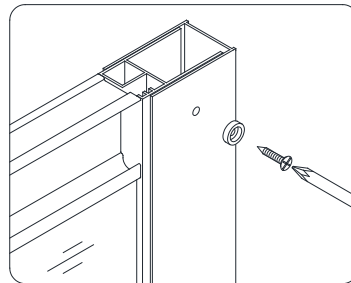
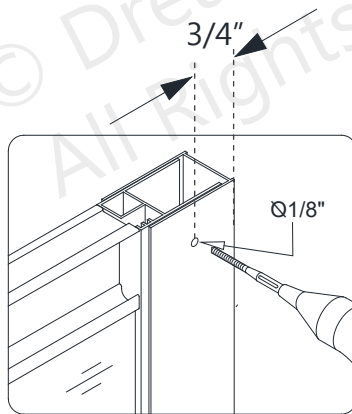
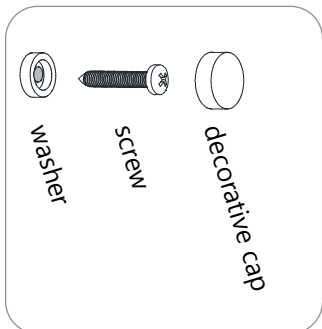
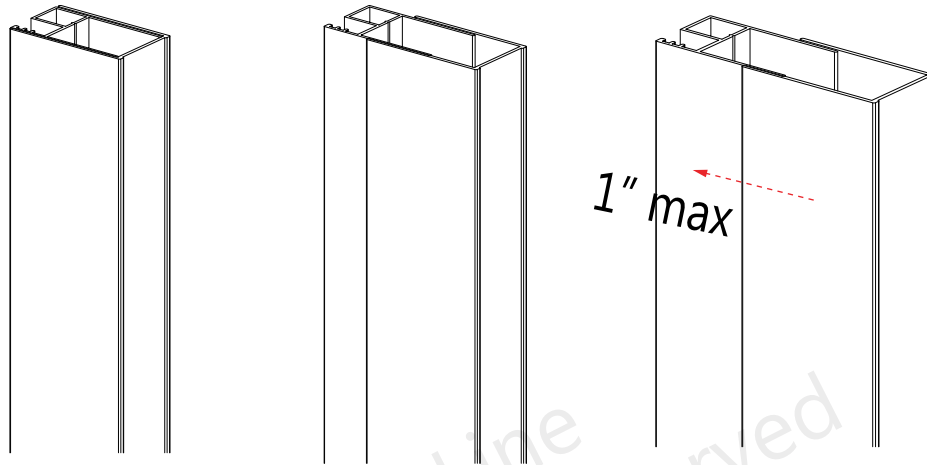
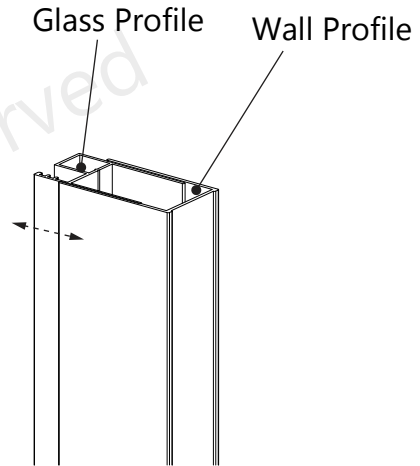


This product should be installed by someone familiar with the construction requirements for this type of project and the care necessary for the safe installation and operation of the product.

Adjustable Wall Profile System



The Glass Profiles can be adjusted within the Wall Profiles for overall width or to correct for out-of-plumb conditions within the model size. Screw them together after making final adjustments.



Preparation

1. Prior to installation, examine all boxes and packages for shipping damage and compare the piece count with the packing slip. After opening all boxes and packages read this introduction carefully. Check that all of the necessary parts are included in the package by checking off the components on the "Detailed Diagram of Shower Door Components". If the unit has been damaged, has a finishing defect, or has missing parts, please contact our customer support department within **3 business days** of the delivery date. **Please note that DreamLine® will not replace any damaged products or missing parts free of charge after 3 business days or if the product has been installed.** Contact DreamLine® if you have any questions, and please provide an order number, job name or other proof of purchase to help identify the original order.
2. **Please note that you should consult your local building codes with questions on installation compliance standards. Building and plumbing codes may vary by location, and DreamLine® is not responsible for code compliance standards for your project and will not accept any returns.**
3. If this unit is going to be installed in a new construction, please install all of the required plumbing and drainage before installing the shower. **Use a competent and licensed (if required by local code) plumber for all plumbing installation.**
4. Make sure that prior to beginning the installation, the surfaces are leveled and solid and will be able to support the total weight of the unit. Also make sure the walls are at right angles. Irregular installation surface level, radius corners or improper angle of side walls will result in serious problems for your installation. Note that some adjustments and drilling will be necessary during the installation process.
5. Protect all primary surfaces of the product during installation. Never set the glass down directly onto a tile floor. Leave corner protectors in place until necessary to remove them. Always use a piece of wood or cardboard to protect the bottom edge and corners of the glass prior to and during installation.
6. This unit must be installed upon a finished threshold and against finished walls.
7. This model has **1"** of adjustment per wall profile for out-of-plumb wall conditions and overall width within the model size. Confirm the finished opening conditions before proceeding with the installation.
8. This model requires a minimum of **1"** of flat level threshold space for installation.
9. **Professional installation recommended.**



This manual will show the installation of the shower door model. Follow the same steps for the installation of the tub door model.

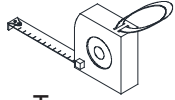


NOTE: DO NOT attach the handle to the door glass until instructed. DO NOT use the handle to lift the glass during installation. This may result in damage to the glass and/or serious injury. Always use an assistant or a professional grade glass suction cup when handling heavy glass.

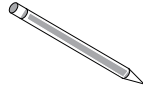
Tools



Level



Tape Measure



Pencil



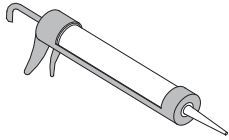
Phillips Screwdriver



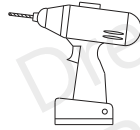
Drill bit
Ø5/16"
(8mm)



Drill bit
Ø1/8"
(3mm)



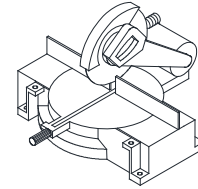
100% Silicone



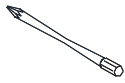
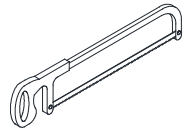
Power Drill



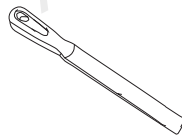
Hammer



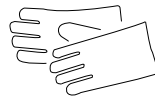
Miter saw or Hacksaw



Extender driver bit



Metal File



Work Gloves



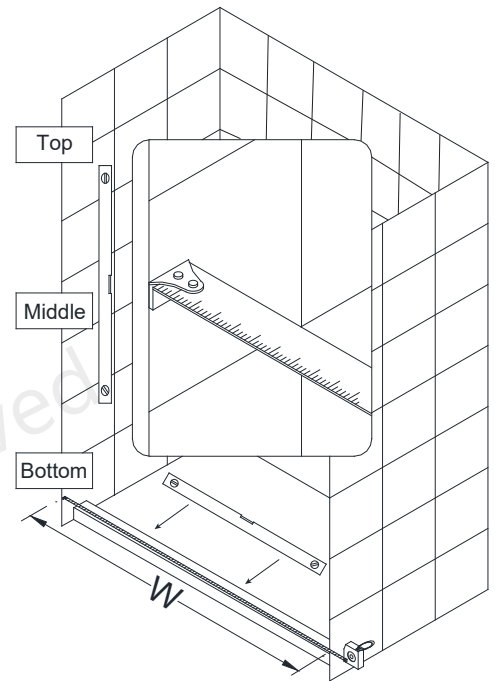
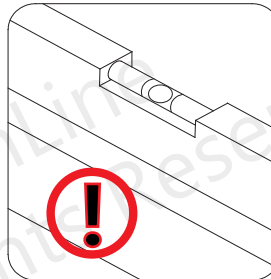
Safety glasses

Tip: Measure the finished opening before proceeding with the installation to be sure that the correct model size has been ordered.

Tip: Prior to installation, cover the shower/tub drain with tape to prevent losing screws or small parts.

Tip: Set screw gun clutch to low setting when installing screws and bolts to prevent stripping the heads.

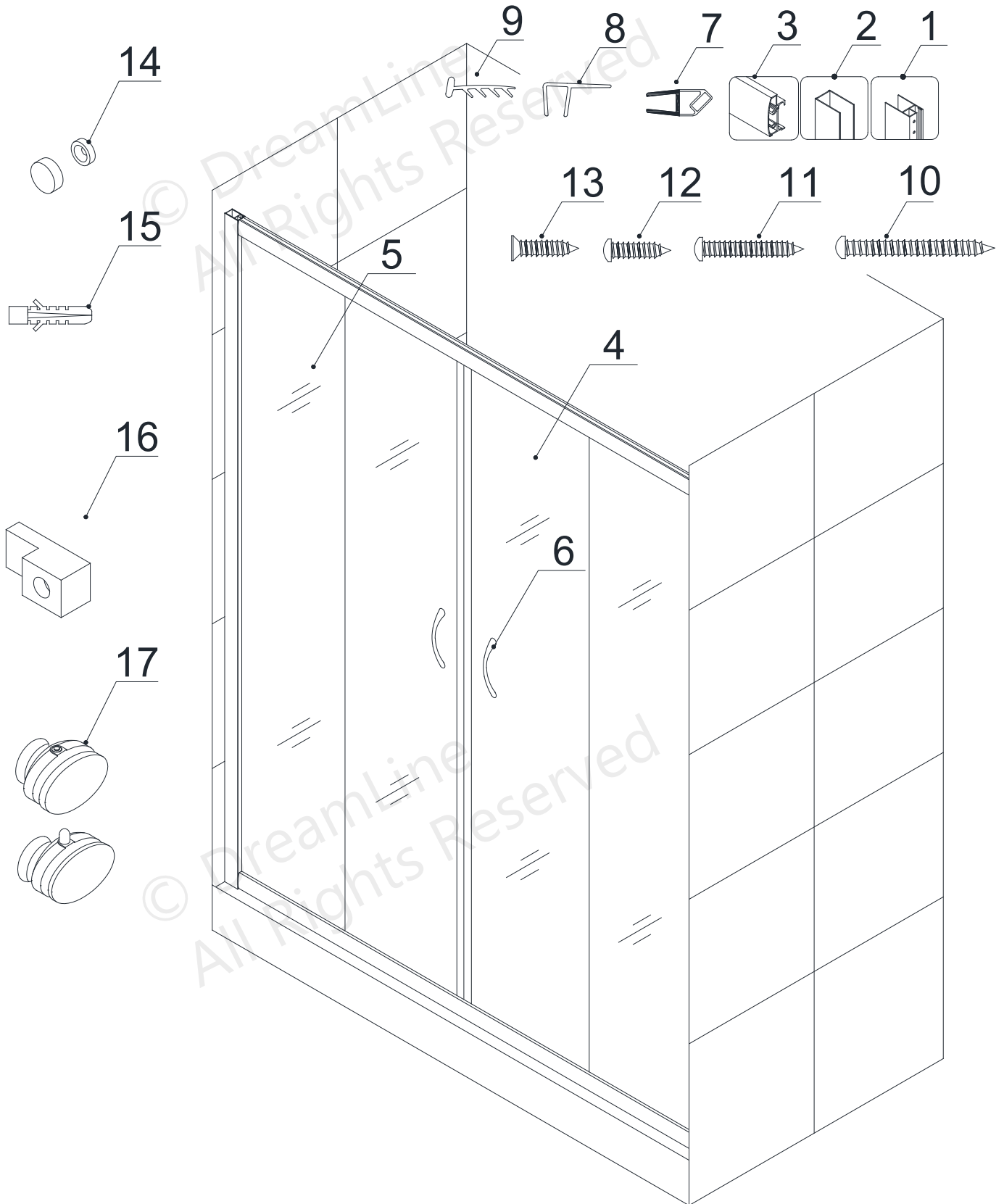
Threshold must be level



NOTE: Unpack your unit carefully and inspect it. Lay it out and identify all parts using the detailed diagram and packing list in this manual as a reference. Before discarding the carton, check for small hardware bags that may have fallen to the bottom of the box. If any parts are damaged or missing, please contact DreamLine® for replacement. The shipping boxes may contain extra parts not used in your model configuration.

NOTE: Retain these installation instructions for future reference.

Detailed Diagram of shower door components



Parts List

Item #	Description	Qty	Item #	Description	Qty
01	Glass Profile	2pcs	10	ST4.2×55 Pan Head Screw	8pcs
02	Wall Profile	2pcs	11	ST4.2×25 Pan Head Screw	8pcs
03	Guide Rail (top & bottom)	2pcs	12	ST4.2×10 Pan Head Screw	4pcs
04	Door Glass	2pcs	13	ST4.2×16 Countersunk Screw	4pcs
05	Panel Glass	2pcs	14	Decorative Cover with Washer	4pcs
06	Handle	2pairs	15	Wall Anchor	8pcs
07	Magnetic Vinyl Seal	1pair	16	Glass Holder	4pcs
08	Vertical Vinyl Seal (2 long, 2 short)	4pcs	17	Wheel Assembly (top & bottom)	4pairs
09	Side Strip Vinyl	2pcs			

© DreamLine
All Rights Reserved



All drawings in this manual are for illustrative purposes only and are not drawn to scale.

Installation Steps

1. Measure the distance between the two finished walls at the top (at model height: 58" or 72"), middle and bottom. The wall profiles will adjust for out-of-plumb conditions, so **use the smallest measurement as the "finished opening" (W)** dimension to determine the finished cut length in Step #2. (Fig 1)

NOTE: The **Top** and **Bottom Guide Rails (#03)** are shorter than the model size by design. They have been pre-cut for the model width and are made to fit between the wall profiles, (not wall-to-wall). See **Table A** below:

Table A

Model Size	Pre-cut Guide Rail Length
60" (for shower)	56-3/8"
60" (for tub)	56-3/8"

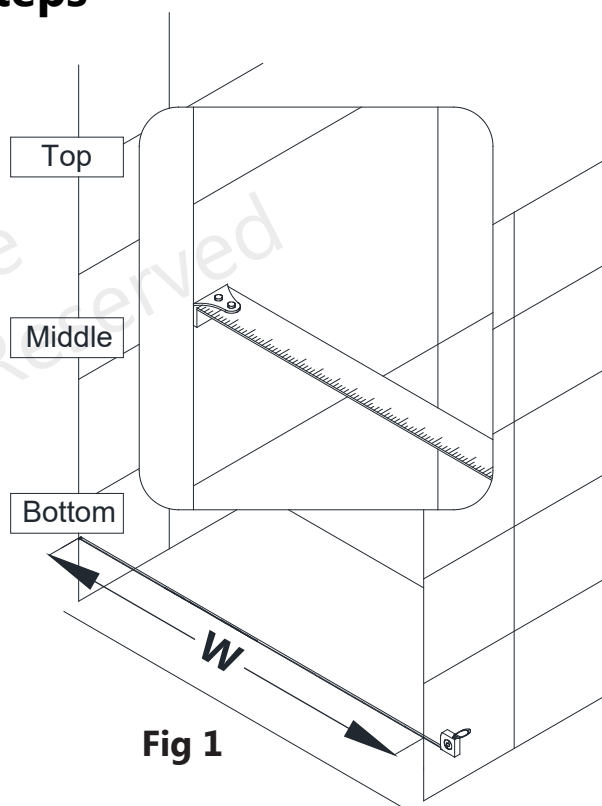


Fig 1

2. Subtract **3-3/8"** from your finished opening (**W**) to determine the finished cut length for the **Top and Bottom Guide Rails (#03)**. Cut the **Top and Bottom Guide Rails (#03)** equally from both ends to the finished cut length (**D**). (See **Table B** below.)

NOTE: In order to keep the pre-installed center stoppers centered, it is necessary to cut the **Top and Bottom Guide Rails (#03)** equally from both ends. (Fig 2)

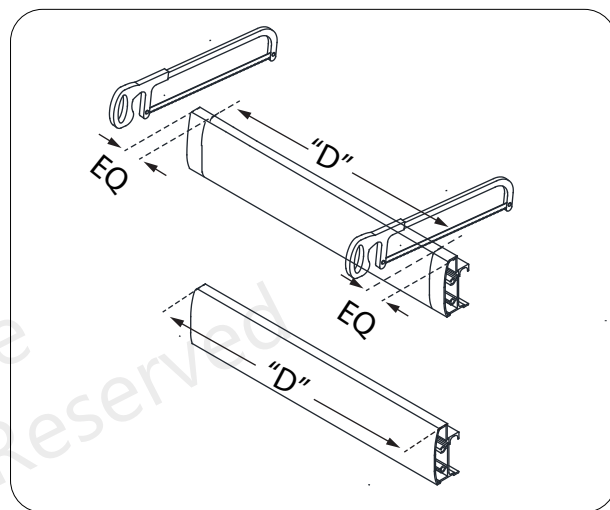


Fig 2

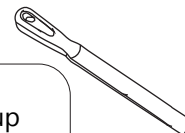
Table B

$$\frac{\text{Finished Opening (W)}}{\text{Finished Opening (W)}} - 3-3/8" = \frac{\text{Finished Cut Size (D)}}{\text{Finished Cut Size (D)}}$$

$$\frac{\text{Model Size (from Table A)}}{\text{Model Size (from Table A)}} - \frac{\text{Finished Cut Size (D)}}{\text{Finished Cut Size (D)}} = \frac{\text{Difference}}{\text{Difference}}$$

$$\frac{\text{Difference}}{\text{Difference}} \div 2 = \frac{\text{Amount To Cut From Each End (EQ)}}{\text{Amount To Cut From Each End (EQ)}}$$

Use a metal file to clean up the cut ends of the rails



TIP: For easier installation into the opening, cut off an extra 1/8" from each end:
FINISHED OPENING (W) - 3-5/8" = FINISHED CUT LENGTH "D"

3. After the **Top** and **Bottom Guide Rails (#03)** have been cut to size, re-install the roller stoppers on both of the **Top** and **Bottom Guide Rails (#03)**. **Note: It is important that these roller stoppers are installed at the correct locations.**

Remove the existing stopper. Mark the drilling hole at a distance of **2"** from the end of the **Top** and **Bottom Guide Rails (#03)**. Drill a new hole using an **Ø1/8"** drill bit; then re-secure the stopper with the screw. **(Fig 3)**

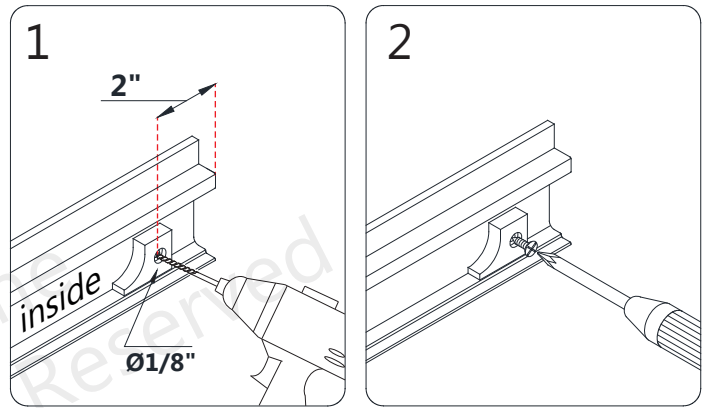


Fig 3
(Bottom Guide Rail shown)



ATTENTION: Do Not drill the **Guide Rail (#03)** throughout, **only** through the **first** layer.

4. Secure the **Bottom Guide Rail (#03)** and **Top Guide Rail (#03)** to the **Glass Profiles (#01)** with the **ST4.2×25 Pan Head Screws (#11)**. **(Fig 4)**



TIP: For ease of assembly, add some liquid soap, wax or lubricant to the screws prior to attaching the glass profiles to the guide rails. Use a low setting on the power drill to prevent stripping the screws.

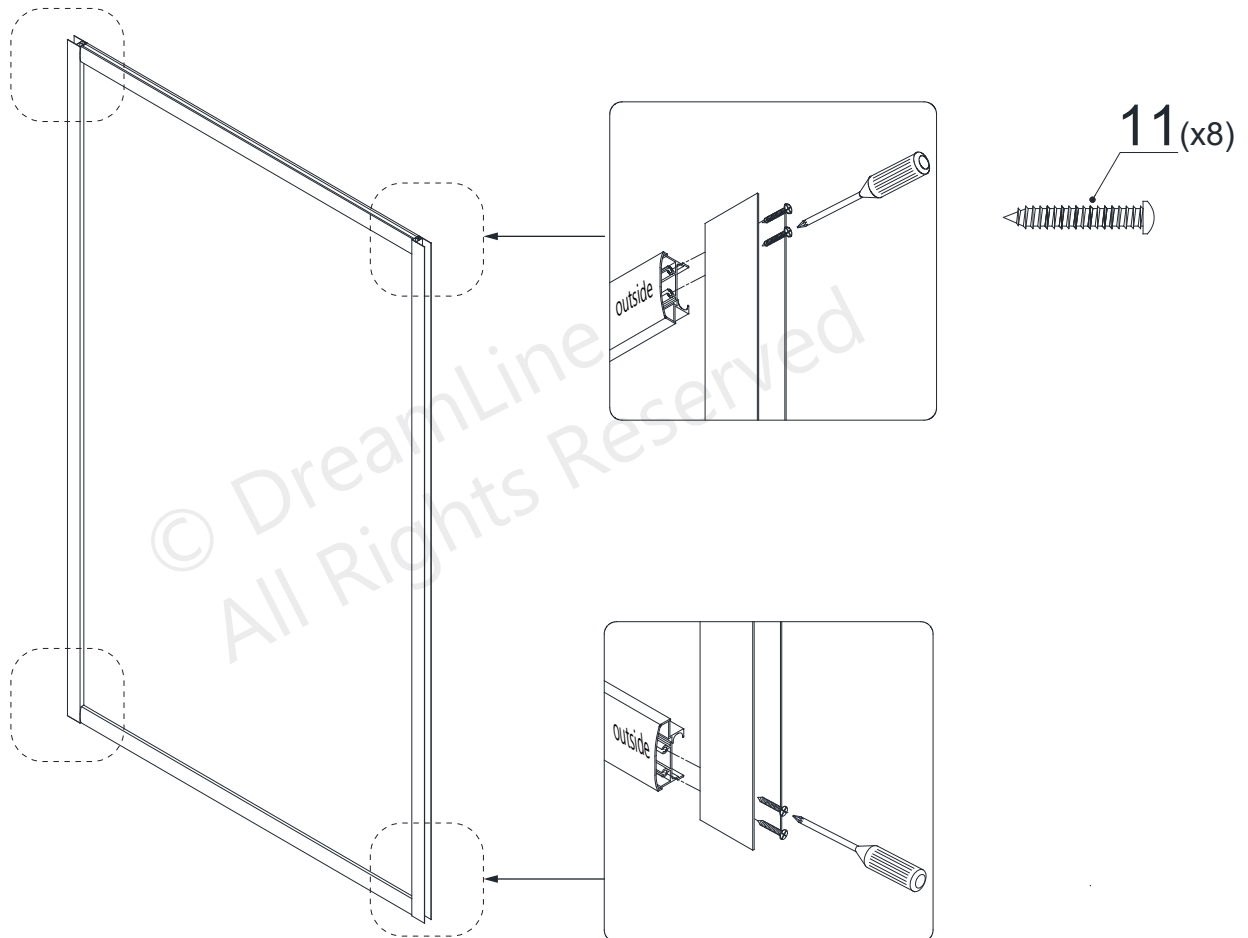


Fig 4

5. Slide the **Wall Profiles (#02)** all the way onto the **Glass Profiles (#01)** on both sides. (Fig 5)



NOTE: The holes in the **Wall Profiles (#02)** are off-center and should align with the holes in the glass profiles and the groove for the panel glass. (Fig 5.1)

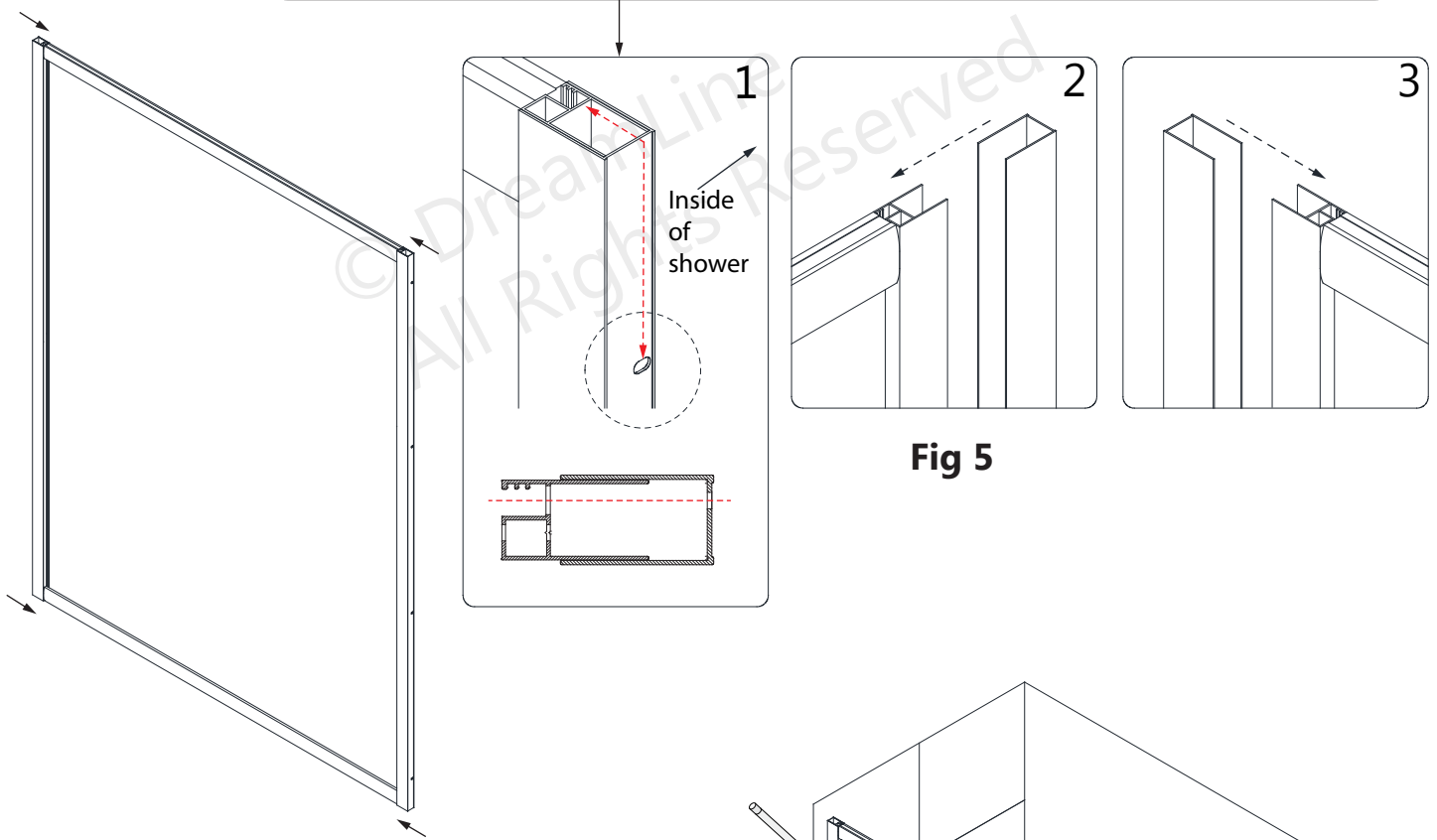


Fig 5

6. Move the assembled frame into position on the threshold, and push the **Wall Profiles (#02)** tight to the walls to compensate for any out-of-plumb conditions. Push the bottom rail down tight to the threshold and adjust the frame to a vertical position. Confirm with a level before marking the position of the wall profiles and the holes for drilling. (Fig 6)

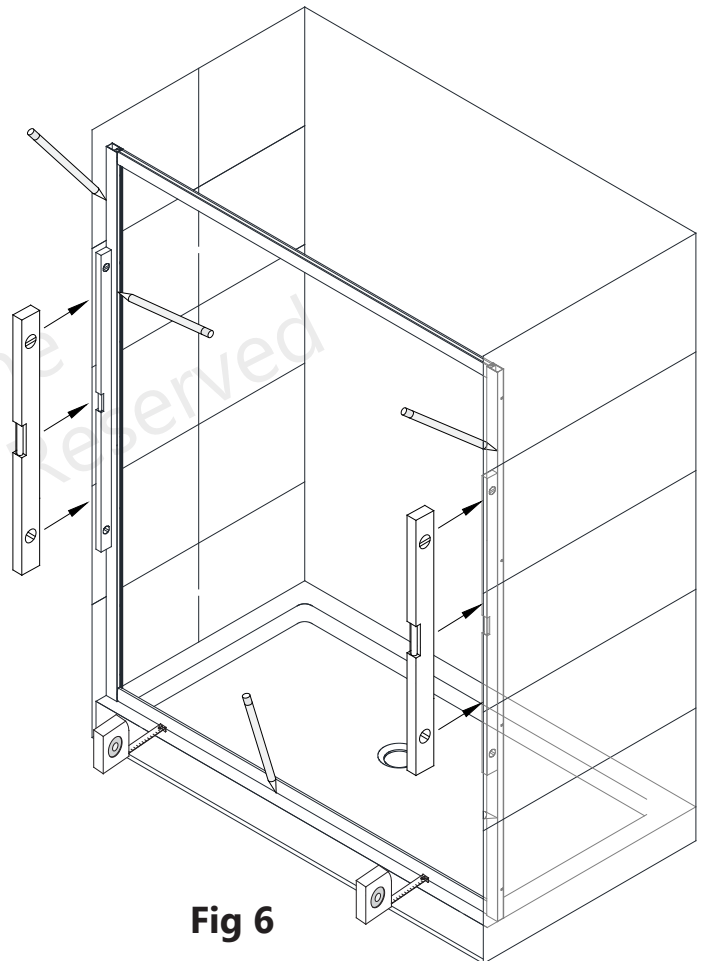


Fig 6

7. Use an assistant to hold the assembly in position and mark the holes for drilling on the wall through the holes in the **Glass Profiles (#01)** and the **Wall Profiles (#02)**. Set the assembled unit aside. Drill the holes using a **Ø5/16"** drill bit and insert the **Wall Anchors (#15)**. **(Fig 7)**

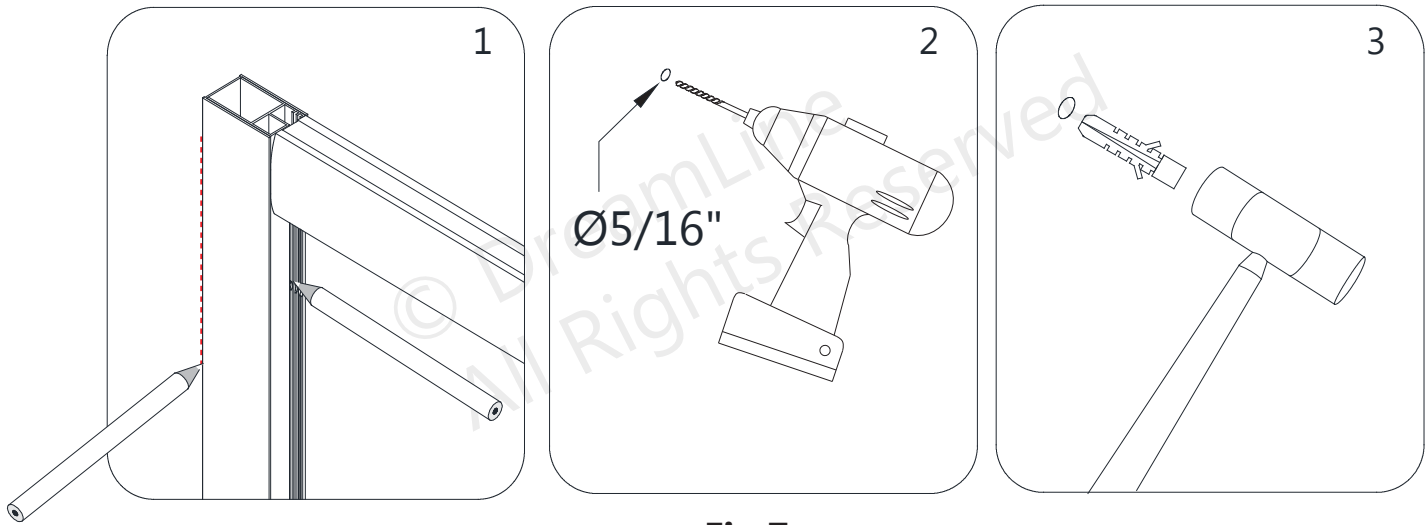


Fig 7

8. Apply silicone caulk to the rear surface of the **Wall Profiles (#02)**, the underside of the **Bottom Guide Rail (#03)**, and around the drilled holes in the wall. Place the entire shower assembly back into the designated position and secure it to the walls using the **ST4.2×55 Pan Head Screws (#10)**. The screws will pass through the larger holes in the **Glass Profile (#01)** and secure the **Wall Profiles (#02)** to each wall. **(Fig 8)**

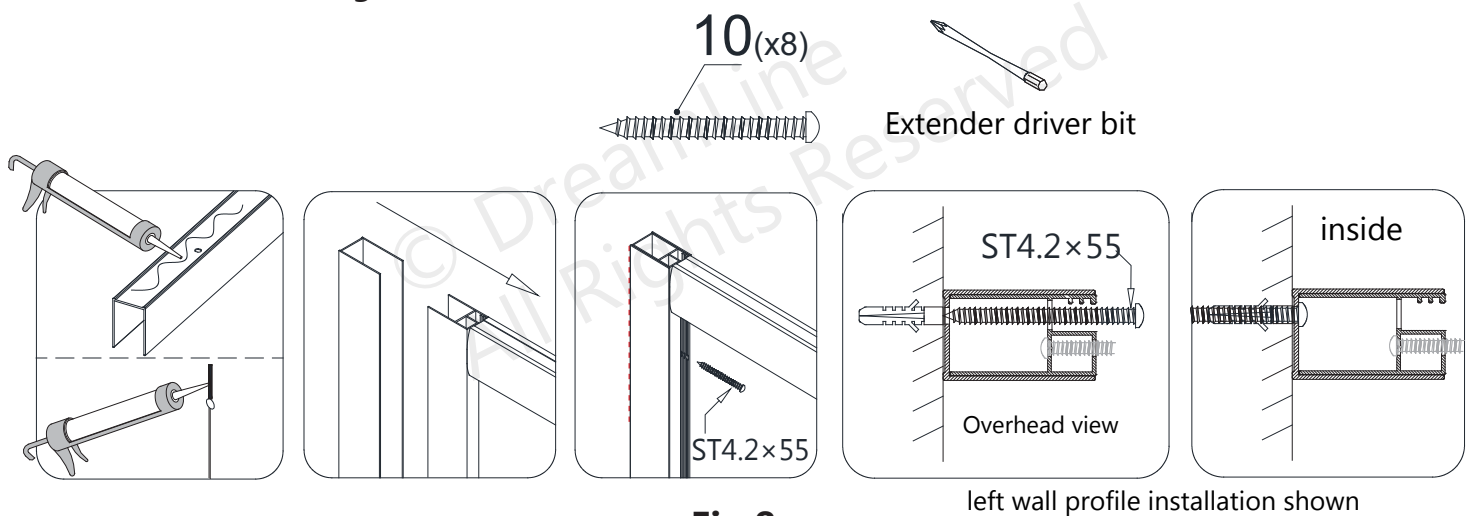


Fig 8



NOTE: Use steady, even pressure when installing the screws to prevent stripping the screw heads!

9. It is necessary to drill new $\text{Ø}1/8''$ holes into the **Guide Rails (#03)** to attach the **Glass Holders (#16)**. Slide both lites of **Panel Glass (#05)** all the way into the grooves of the **Glass Profiles (#01)** on both sides. Hold the **Glass Holders (#16)** in place and mark the new holes with a pencil or a drill bit. Remove the **Panel Glass (#05)** to prevent damage prior to drilling into the **Guide Rails (#03)**. Drill $\text{Ø}1/8''$ holes into the **Guide Rails (#03)**. Reinstall the **Panel Glass (#05)** and attach the **Glass Holders (#16)** to the **Guide Rails (#03)** using the **ST4.2×16 Countersunk Screws (#13)**. (Fig 9)

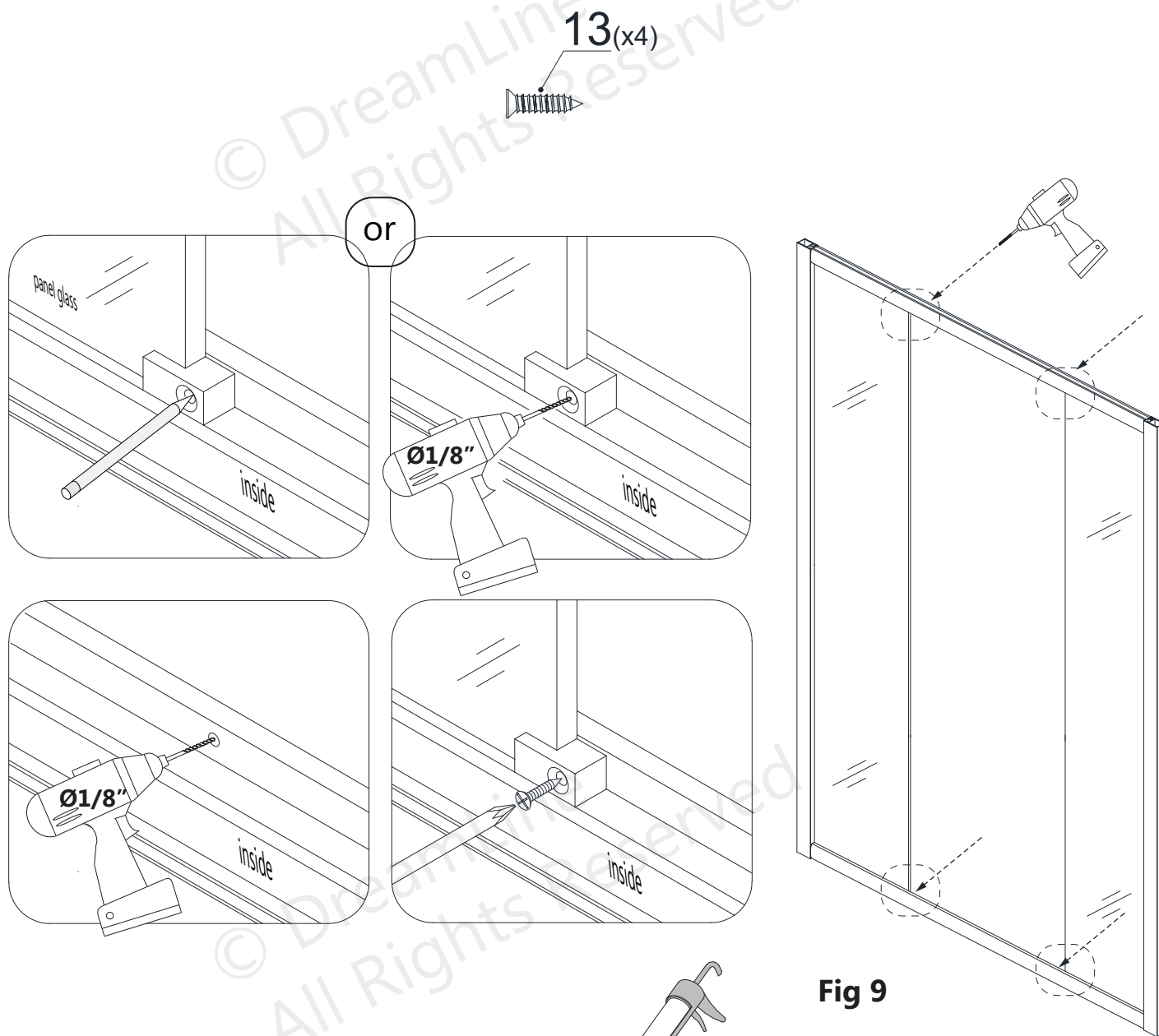
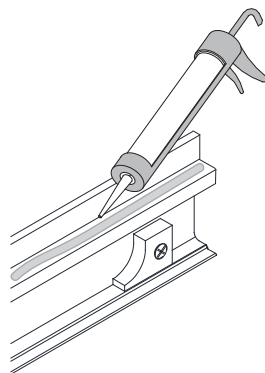


Fig 9



Tip: Apply a thin bead of silicone onto the bottom rail where the panel glass sits prior to the final installation of the panel glass.



10. From the inside of the shower, install the **Side Strip Vinyl (#09)** in-between the **Panel Glass (#05)** and the **Glass Profiles (#01)**. Start from the bottom and do not stretch the vinyl. **(Fig 10)**



ATTENTION: To prevent scratching or damaging the glass and aluminium, Do Not use a screwdriver or other metal objects to install the **Side Strip Vinyl (#09)**.

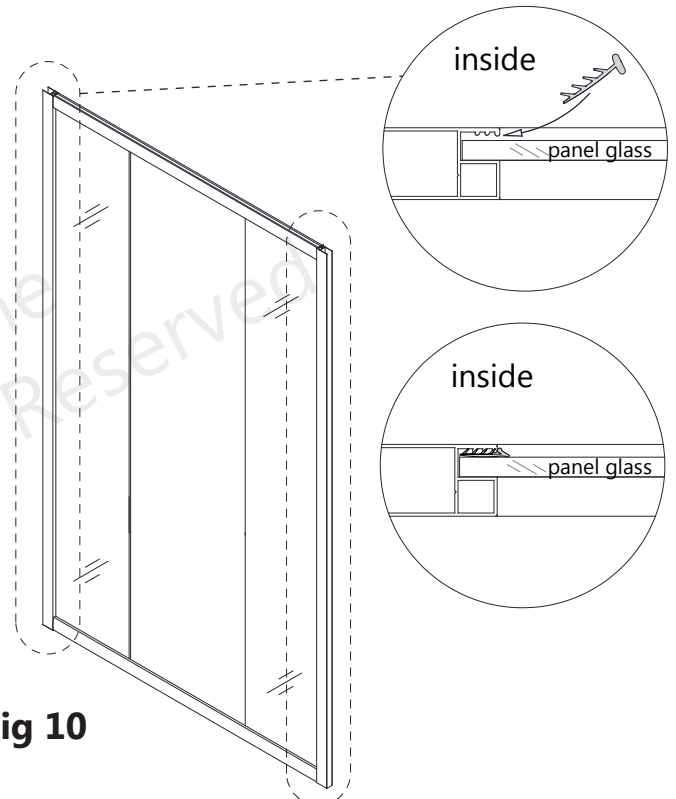


Fig 10

11. Fasten the **Top and Bottom Wheel Assemblies (#17)** to the **Door Glass (#04)** with the wheels facing the outside of the shower. The top wheels can adjust the door level with the adjustment bolt and lock nut. The bottom wheel has a press button to fix the wheel into the bottom **Guide Rail (#03)**. **(Fig 11)**



NOTE: The **lock nut** of the **Top Wheel Assembly (#17)** and the **press button** of the **Bottom Wheel Assembly (#17)** should be **pointing up**. **(Fig 11)**

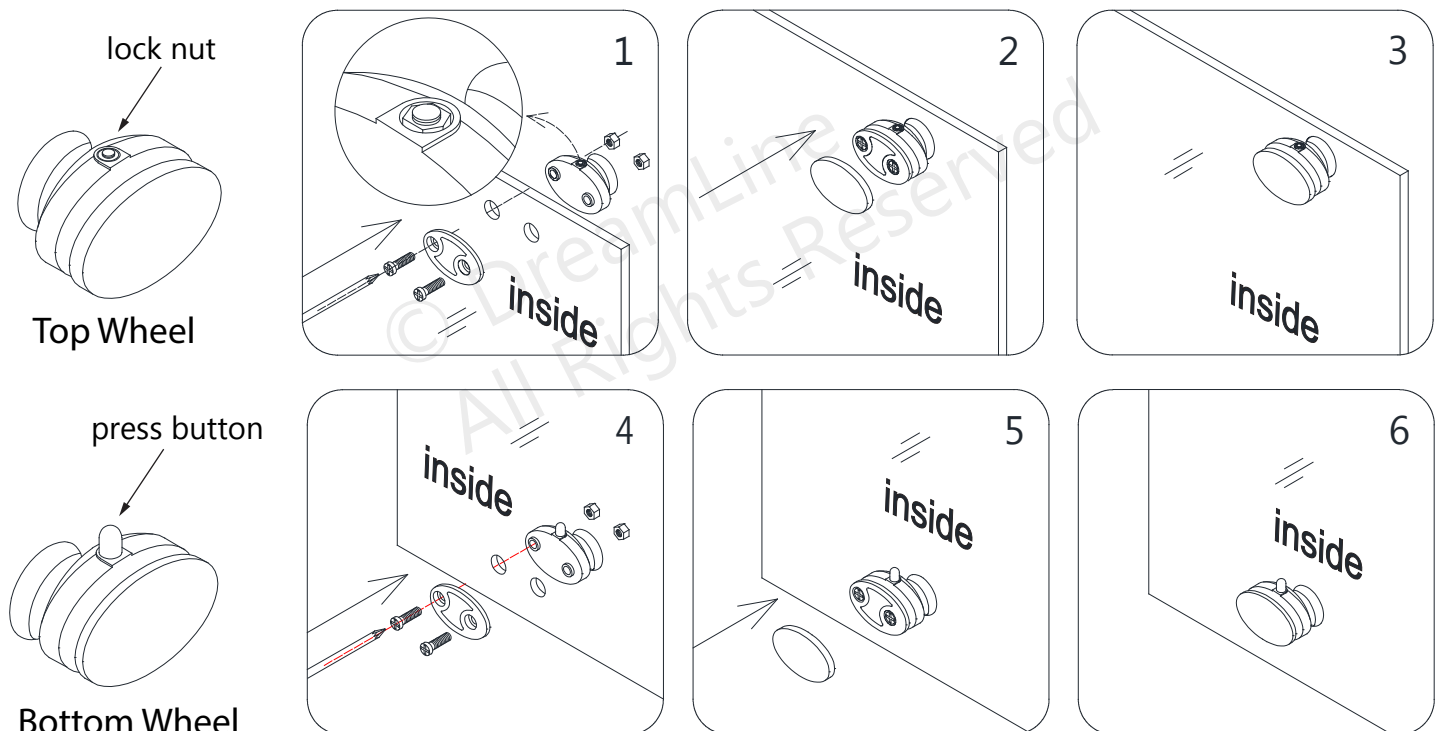


Fig 11



NOTE: DO NOT attach the handle to the door glass until instructed. DO NOT use the handle to lift the glass during installation. This may result in damage to the glass and/or serious injury. Always use an assistant or a professional grade glass suction cup when handling heavy glass.

12. From inside the shower, insert the **Bottom Wheel Assemblies (#17)** into the bottom **Guide Rail (#03)** (Fig 12.1-2), lift the door up and set the **Top Wheel Assemblies (#17)** into the top **Guide Rail (#03)** (Fig 12.3). Test the operation of the door, and if necessary, use a #2 Phillips screwdriver (do not use a power screwdriver) to adjust the upper wheels so the door rolls smoothly and closes tight. **(Fig 12)**

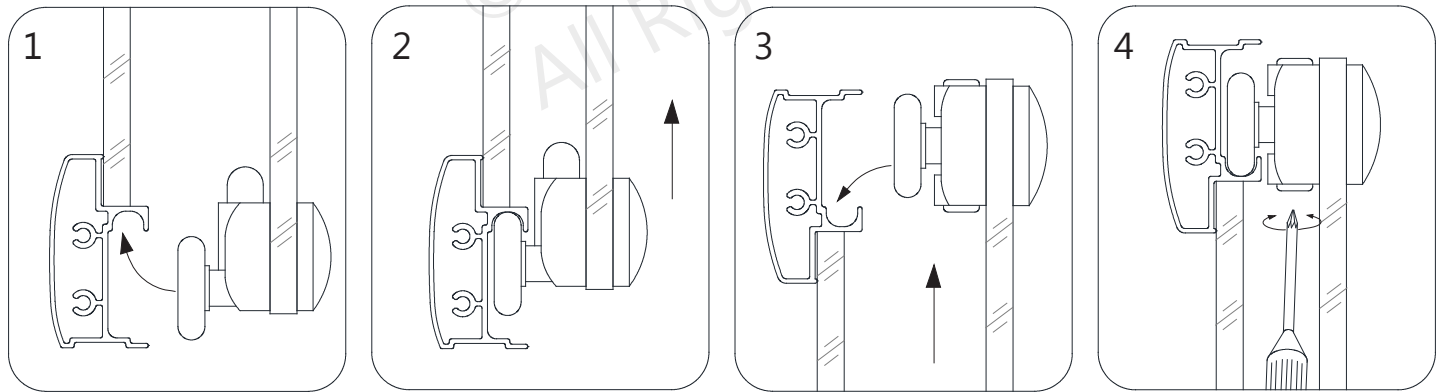


Fig 12

*Adjust the top wheel assemblies if necessary



ATTENTION: Use caution not to close the door glass together during installation.

13. Install the **Handles (#06)** to the **Door Glass (#04)**.

Press the shorter **Vertical Vinyl Seals (#08)** onto the vertical edges of the **Panel Glass (#05)** and the longer **Vertical Vinyl Seals (#08)** onto the vertical edges of the **Door Glass (#04)**.

Press the **Magnetic Vinyl Seals (#07)** onto the vertical edges of both **Door Glass (#04)**. **(Fig 13)**

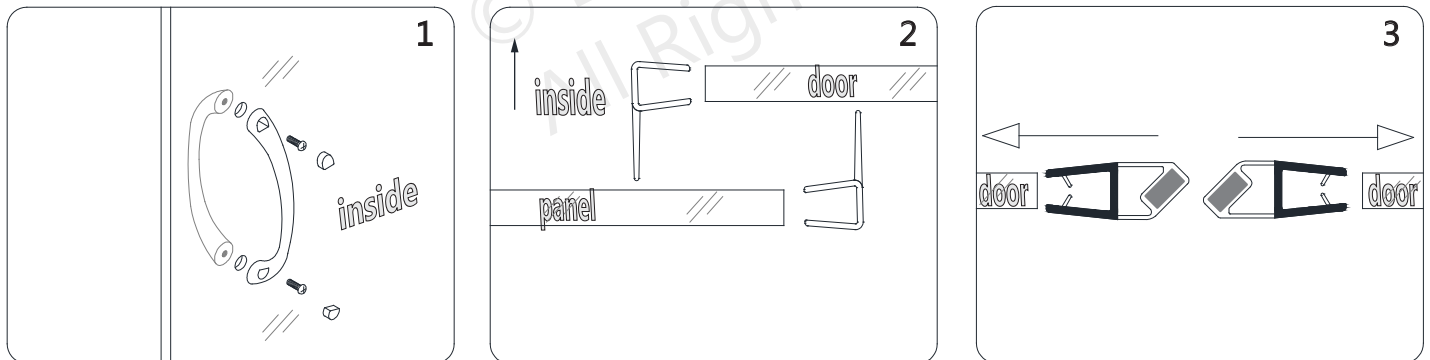
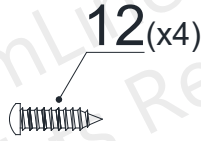


Fig 13

14. Perform the final adjustments of the assembled unit within the **Wall Profiles (#02)**. **Make sure the Bottom Guide Rail (#03) is tight to the threshold.** Drill $\text{Ø}1/8''$ holes into the center of the **Wall Profile (#02)** and into the **Glass Profile (#01)**. Drill one hole at the top and one hole at the bottom of each profile (approx $3/4''$ from the wall) .

Secure the **Wall Profiles (#02)** to the **Glass Profiles (#01)** using the **Washers (#14)** and **ST4.2×10 Pan Head Screws (#12)**. Cover the exposed screw heads with the **Decorative Covers (#14)**. (Fig 14)



ATTENTION: Do Not drill the profiles throughout, only through the first layer of the wall profile and glass profile.

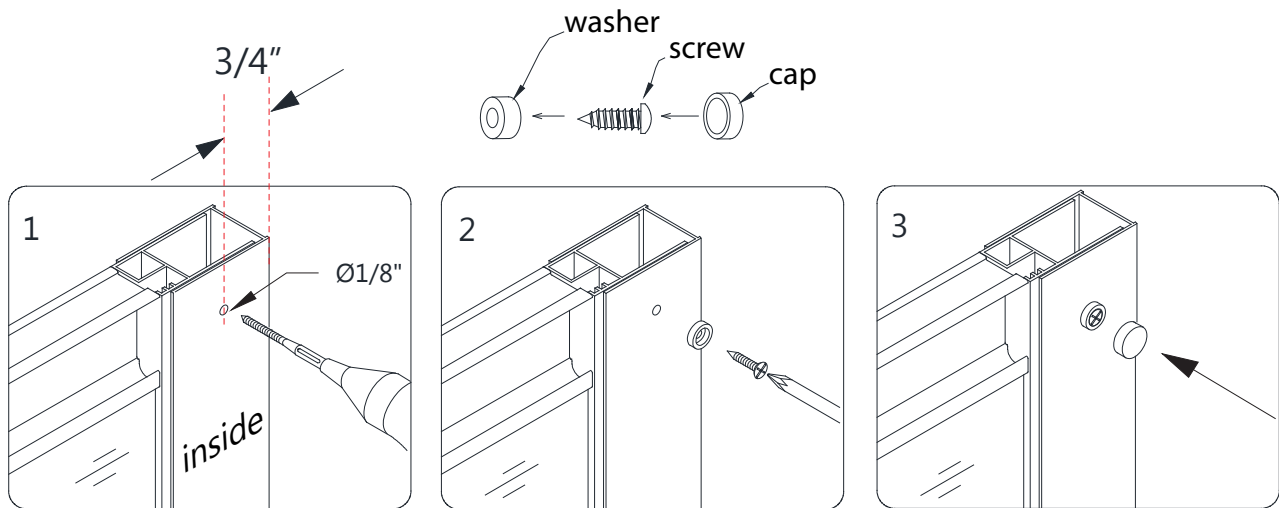


Fig 14

15. Apply a good quality mildew-resistant silicone along the interior perimeter of the wall profiles and bottom guide rail along the walls and threshold. **(Fig 15)**



NOTE: The surfaces need to be clean and free of debris before applying silicone.

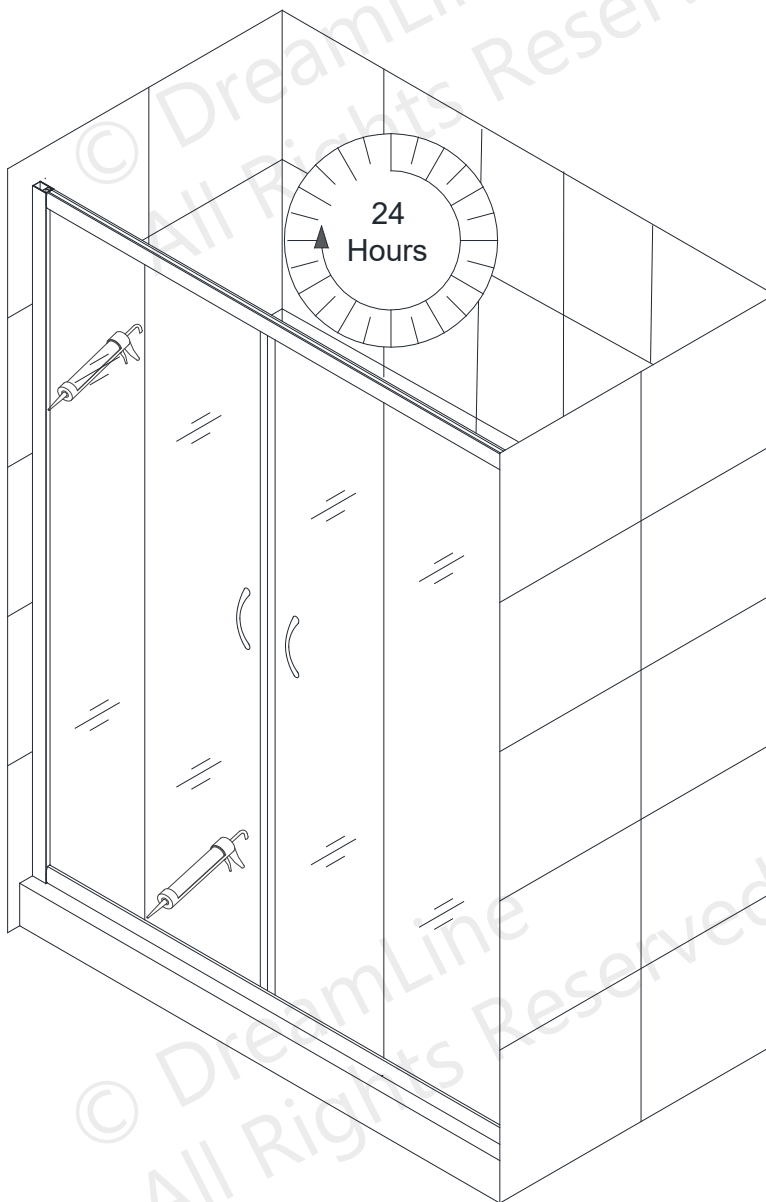


Fig 15



ATTENTION: Allow 24 hours for the silicone to cure before using the shower.

Product Maintenance

BASES and BACKWALLS: To ensure long-lasting life for your acrylic back walls, wipe them off after each use with a soft cloth. To clean the acrylic back walls use non-abrasive sprays or cream based cleaners. Avoid the use of aerosol spray cleaners. Never use abrasive cleansers, metal brushes or scrapers that could scratch or dull the surface.

GLASS: To ensure long-lasting life for your glass shower products, wipe them off after each use with a soft cloth. Rinse and wipe off the glass using either a soft cloth or a squeegee to prevent soap buildup and water spots (Hard water can etch the surface of the glass over time if left to dry). To prevent scratching the surface: never use abrasive cleaners or cleaning products that contain scouring agents. Never use bristle brushes or abrasive sponges that may scratch the surface.

HARDWARE: To ensure a long-lasting finish, wipe off the metal parts after each use with a soft cloth. Do not use abrasive cleaners or cleaning products containing ammonia, bleach or acid. If accidentally used, rinse the surface as soon as possible to prevent damage to the finish (peeling or corrosion). After cleaning the polished finishes, rinse thoroughly and wipe dry with a soft cloth.

Clean stainless steel surfaces at least once a week. When applying stainless steel cleaner or polish to stainless steel hardware, work with (not across) the grain. Never use an abrasive sponge or cloth, steel wool or wired brush as these may permanently scratch the surfaces.

NOTE: To maximize the life of your door, it is important to regularly inspect the glass and all hardware for misalignment, proper attachment, and/or damage. Contact DreamLine® with any questions or concerns.

DreamLine® shower doors and enclosures are designed not to leak when installed properly and the flow of water is not pointed directly at the vinyl seals.

© DreamLine
All Rights Reserved



© DreamLine
All Rights Reserved

TEL: 866-731-2244
FAX: 866-857-3638
DREAMLINE.COM

For more information on DreamLine® Shower Doors and Enclosures please visit **DreamLine.com**