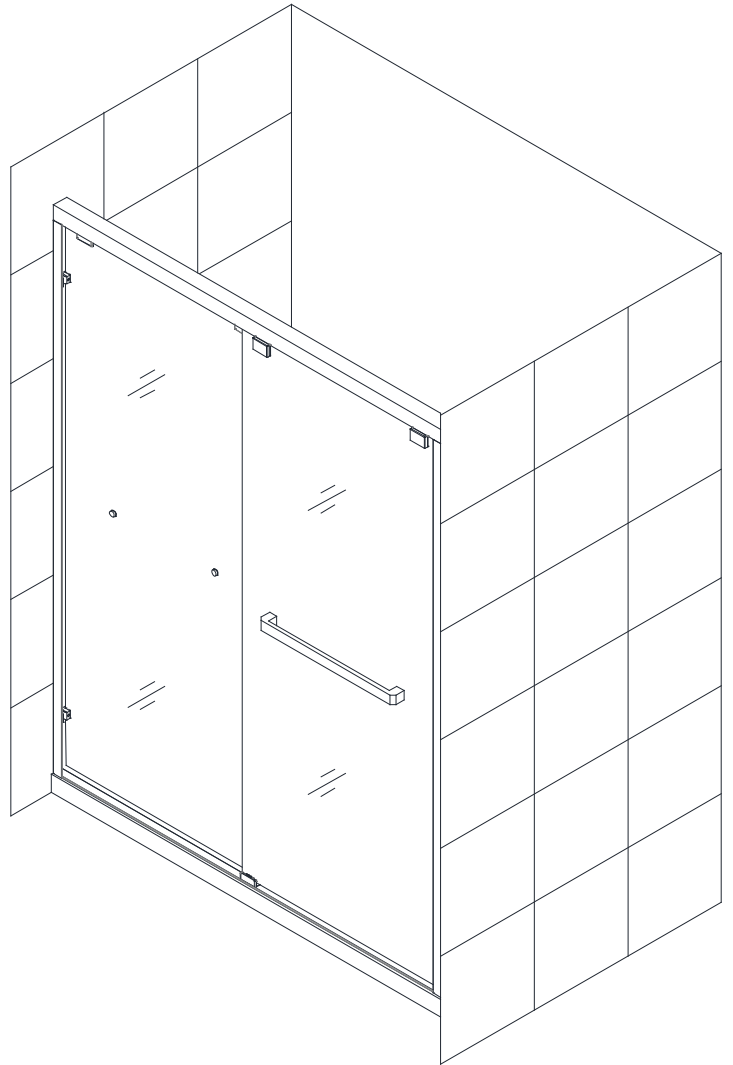
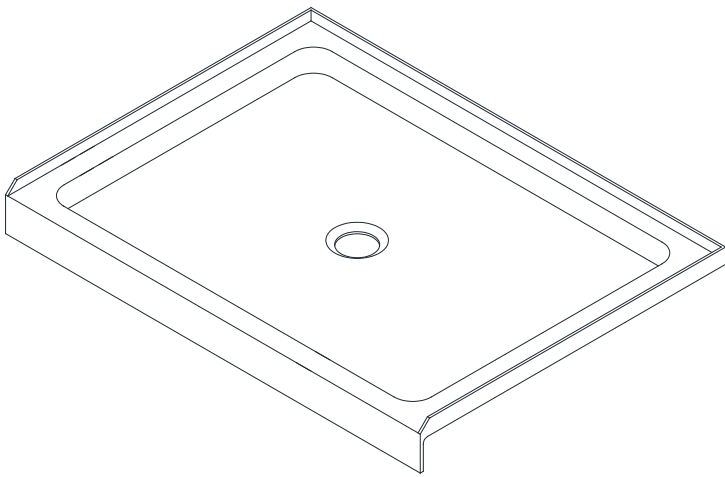


Encore Shower Door & Base

SHOWER DOOR & BASE INSTALLATION INSTRUCTIONS

IMPORTANT

DreamLine[®] reserves the right to alter, modify or redesign products at any time without prior notice. For the latest up-to-date technical drawings, manuals, warranty information or additional details please refer to your model's web page on **DreamLine.com**



STEP 1: Shower Base Installation Instructions

STEP 2: Shower Door Installation Instructions



Questions?

Please Call **DreamLine** Customer Support: **1-855-831-2126**
Hours of Operation M-F 8AM - 7PM EST and Saturday 9AM - 5PM EST

Support@DreamLine.com



For more information about DreamLine[®] Shower Doors, Tub Doors & Enclosures, please visit **DreamLine.com**

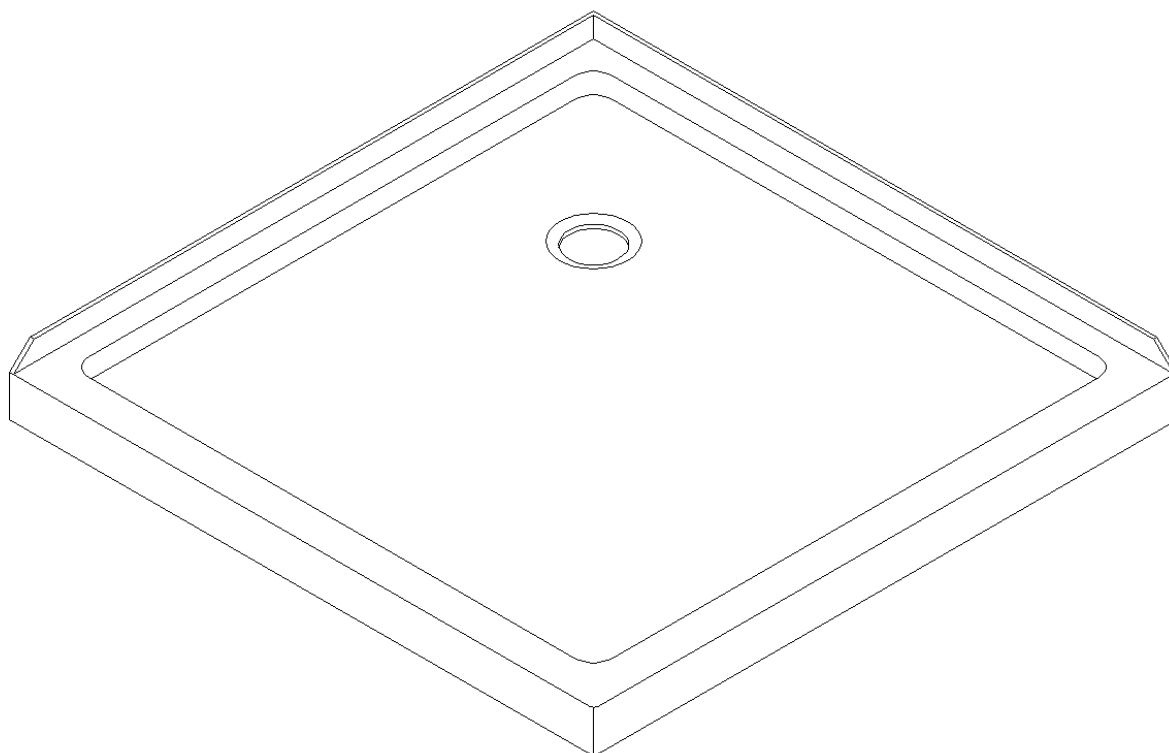


SLIMLINE SHOWER BASE

SHOWER BASE DIMENSIONS AND INSTALLATION INSTRUCTIONS

IMPORTANT!

DreamLine® reserves the right to alter, modify or redesign products at any time without prior notice. For the latest up-to-date technical drawings, manuals, warranty information or additional details please refer to your model's web page on DreamLine.com



Double Threshold Shower Base with Corner Drain Configuration
shown as an example

Color options:

- - White
- 22- Biscuit
- 88- Black

Please review this entire manual before beginning installation



Questions?

Please Call **DreamLine Customer Support: 1-855-831-2126**
Hours of Operation M-F 8AM - 7PM EST and Saturday 9AM - 5PM EST

Support@DreamLine.com



For more information about DreamLine® products please visit DreamLine.com

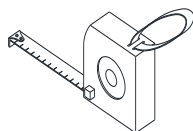
Preparation

1. Prior to installation, examine all boxes and packages for shipping damage and compare the piece count with your packing slip. After opening all boxes and packages read this introduction carefully. Check that all of the needed parts are included in the package by checking off the components on the "Detailed Diagram of Shower Door Components". If the unit has been damaged, has a finishing defect, or has missing parts, please contact our customer support department within **3 business days** of the delivery date. Please note that **DreamLine® will not replace any damaged products or missing parts free of charge after 3 business days or if the product has been installed.** Please contact DreamLine® if you have any questions and please provide an order number, job name or other proof of purchase to help identify the original order.
2. Install all of the required plumbing and drainage before installing the shower base. **Use a competent and licensed (if required by local code) plumber for all plumbing installation.**
3. **Shower bases must be installed by a licensed plumber. Please note that you should consult your local building codes with questions on installation compliance standards. Building and plumbing codes may vary by location and DreamLine® is not responsible for code compliance standards for your project.**
4. Make sure that prior to the installation the installation surface is leveled and solid and will be able to support the total weight of the unit. Also make sure the walls are at right angles. While some adjustment in leveling of the tray is possible, irregular installation surface level or improper angle of side walls will result in serious problems for your installation. Please note that some adjustments may be necessary during the installation process.
5. **Center drain configurations are centered on the width only. See technical drawing tables for drain locations.**
6. **Drain not included with this product.** The drain *opening* is 3-3/8" in diameter and **accepts a standard 2" compression fitted drain.**

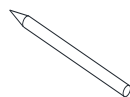
IMPORTANT NOTE:

Dimensions provided are for reference only. Measure the actual shower tray before installation. This includes overall dimensions and drain location. Allowed tolerance for center of the drain is +/-1/2".

Tools Required



Tape
Measure



Pencil



Level

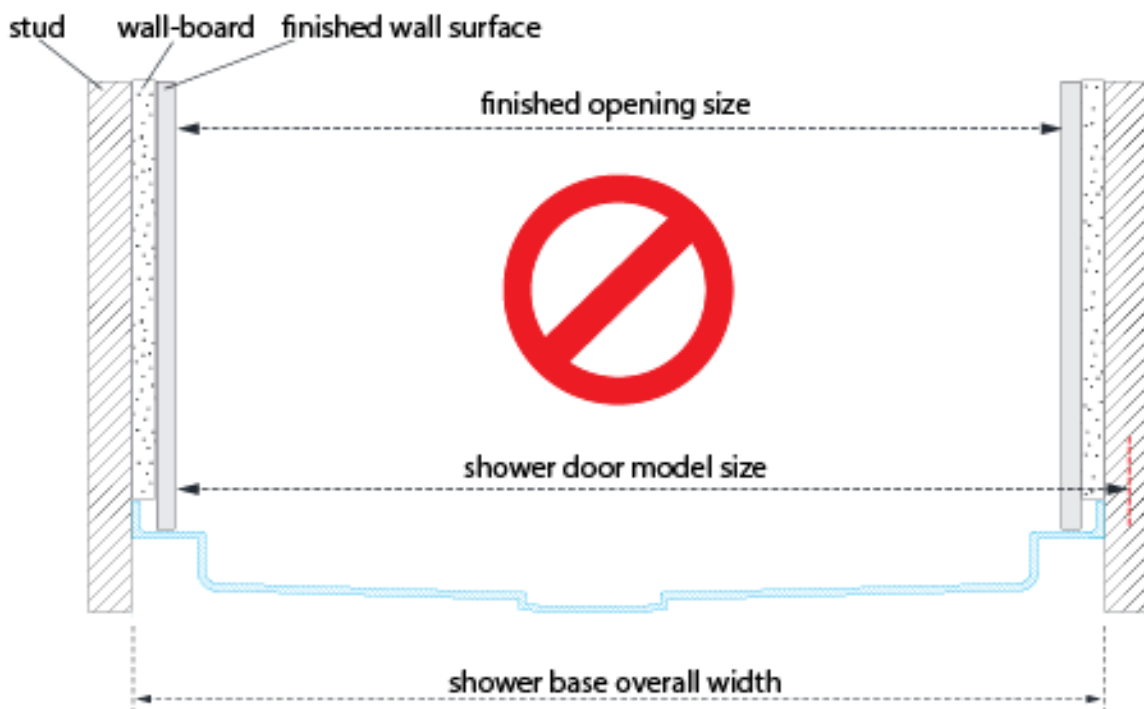
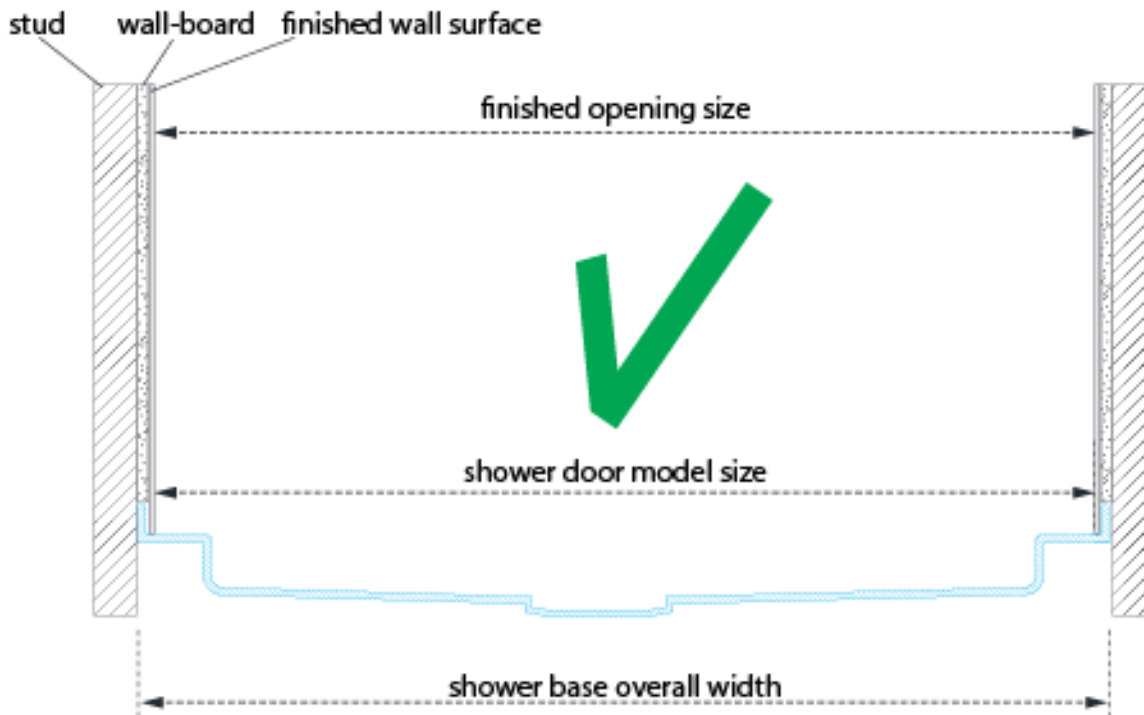


Mortar



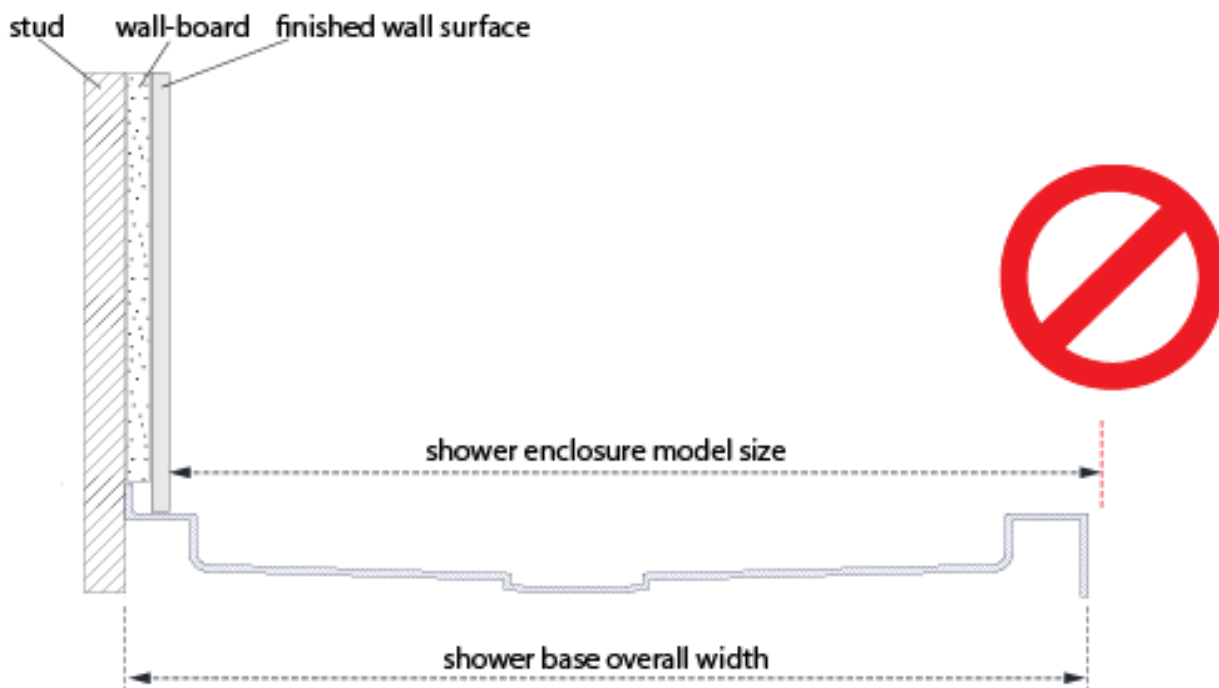
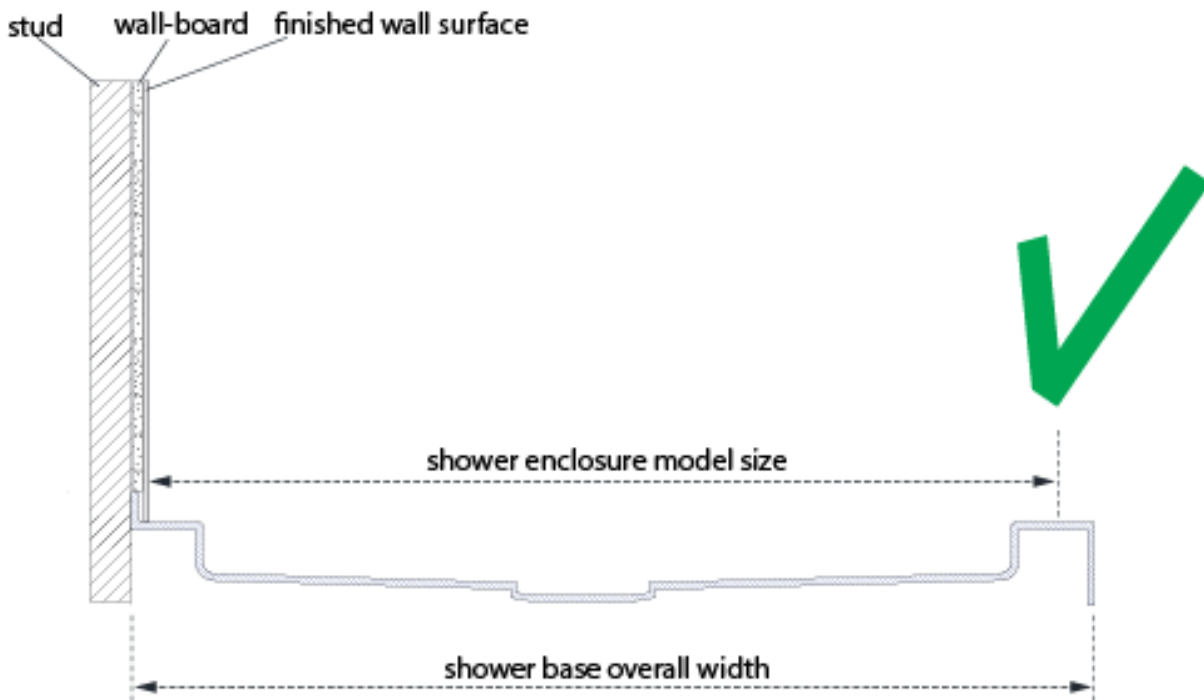
When constructing or installing a shower base, consider how **the thickness of the wall treatment (wallboard, tile, etc.) will affect the finished opening size for the shower door.**

Compare the overall dimensions of the shower door model with the finished opening size before proceeding with the installation.



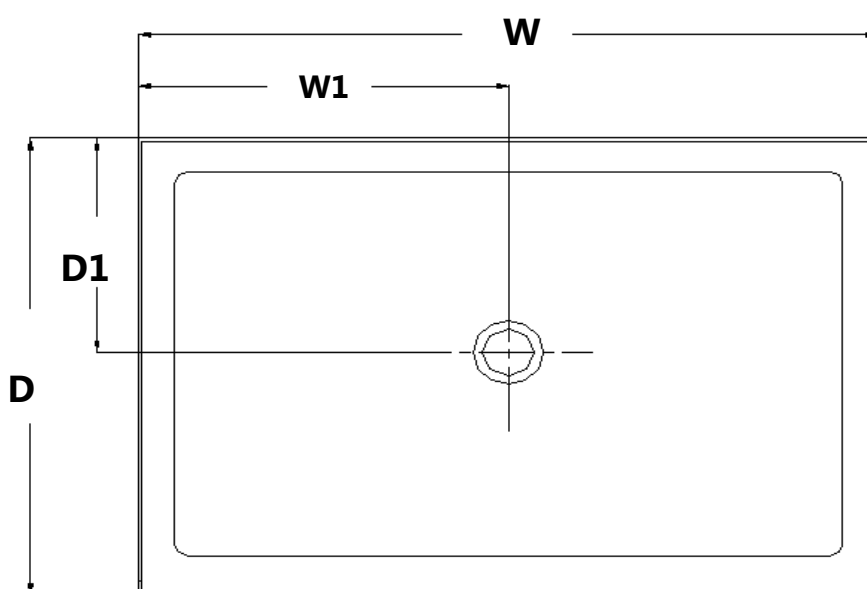
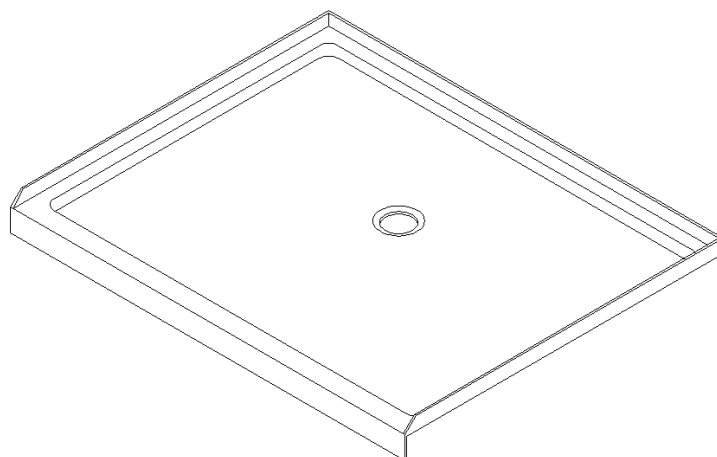


When constructing or installing a shower base, consider how **the thickness of the wall treatment (wallboard, tile, etc.) will affect where the shower enclosure will sit on the threshold.** Compare the overall outside dimensions of the shower enclosure model size with the finished threshold before proceeding with the installation.



SINGLE THRESHOLD SHOWER BASE

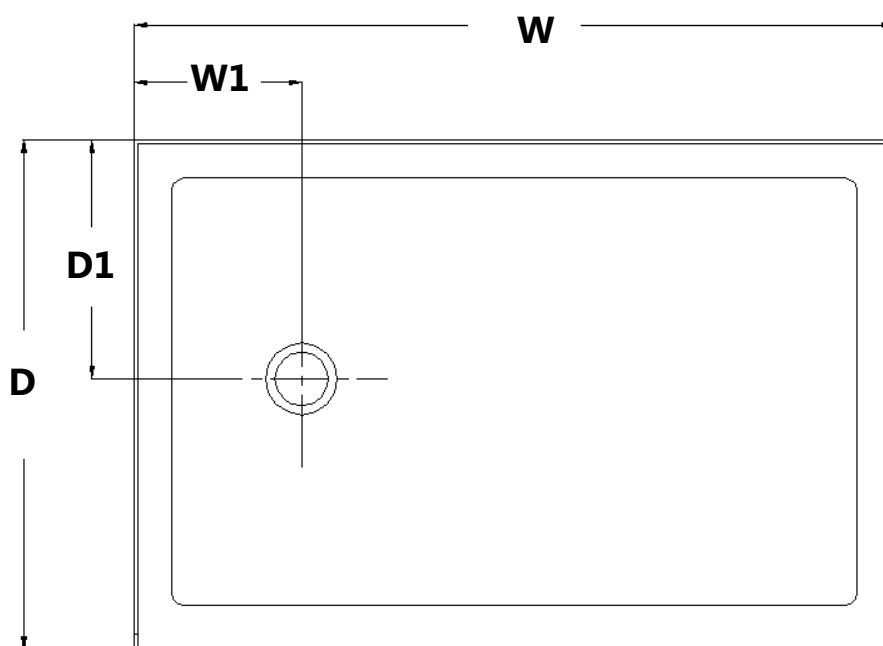
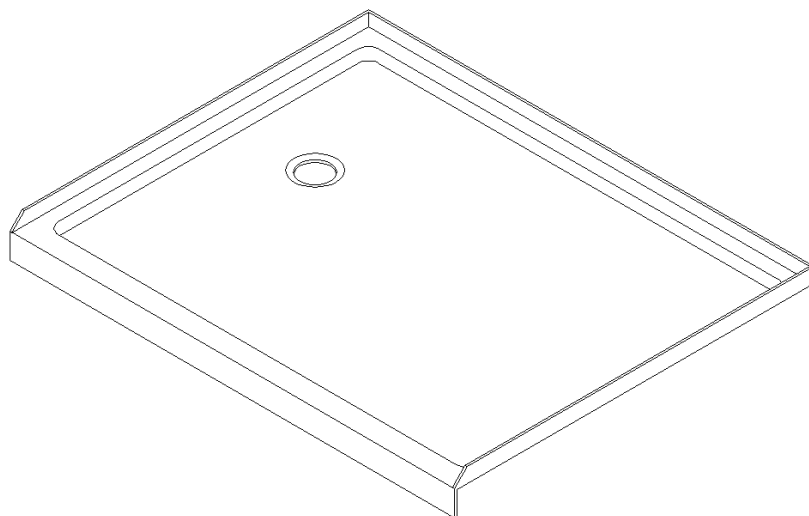
Center Drain Configuration



MODEL	SPECIFICATION	D (in)	W (in)	D1 (in)	W1 (in)
DLT-1132320	32" x 32"	32"	32"	15"	16"
DLT-1136360	36" x 36"	36"	36"	15"	18"
DLT-1132420	32" x 42"	32"	42"	15"	21"
DLT-1134420	34" x 42"	34"	42"	15"	21"
DLT-1136420	36" x 42"	36"	42"	15"	21"
DLT-1142420	42" x 42"	42"	42"	20"	21"
DLT-1132480	32" x 48"	32"	48"	15"	24"
DLT-1134480	34" x 48"	34"	48"	15"	24"
DLT-1136480	36" x 48"	36"	48"	15"	24"
DLT-1132540	32" x 54"	32"	54"	15"	27"
DLT-1134540	34" x 54"	34"	54"	15"	27"
DLT-1136540	36" x 54"	36"	54"	15"	27"
DLT-1130600	30" x 60"	30"	60"	15"	30"
DLT-1132600	32" x 60"	32"	60"	15"	30"
DLT-1134600	34" x 60"	34"	60"	15"	30"
DLT-1136600	36" x 60"	36"	60"	15"	30"

SINGLE THRESHOLD SHOWER BASE

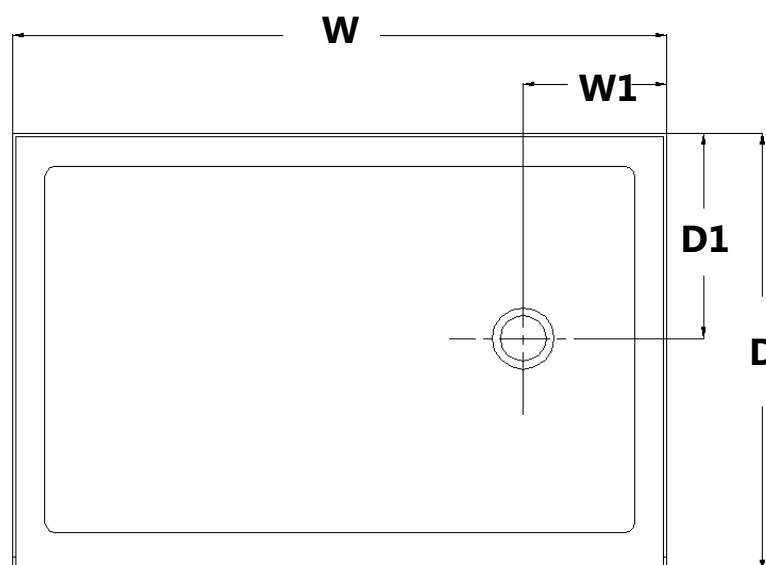
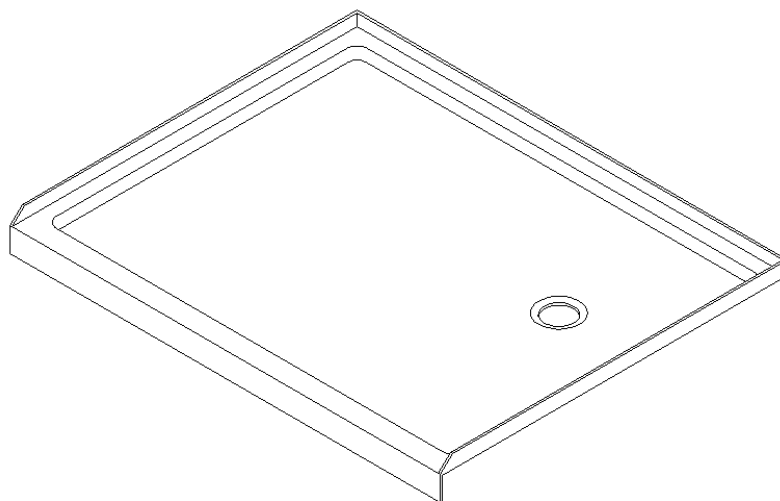
Left-Hand Drain Configuration



MODEL	SPECIFICATION	D (in)	W (in)	D1 (in)	W1 (in)
DLT-1130601	30"×60"	30"	60"	15"	12"
DLT-1132601	32"×60"	32"	60"	15"	12"
DLT-1134601	34"×60"	34"	60"	17"	12"
DLT-1136601	36"×60"	36"	60"	18"	12"

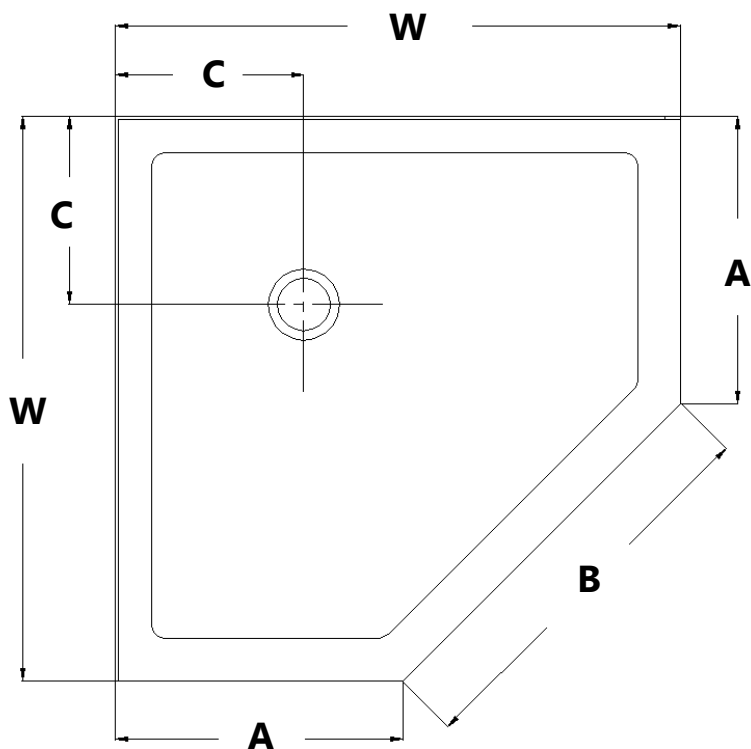
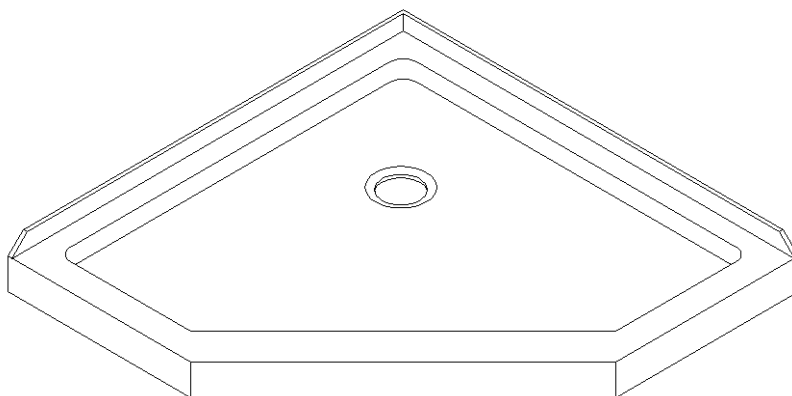
SINGLE THRESHOLD SHOWER BASE

Right-Hand Drain Configuration



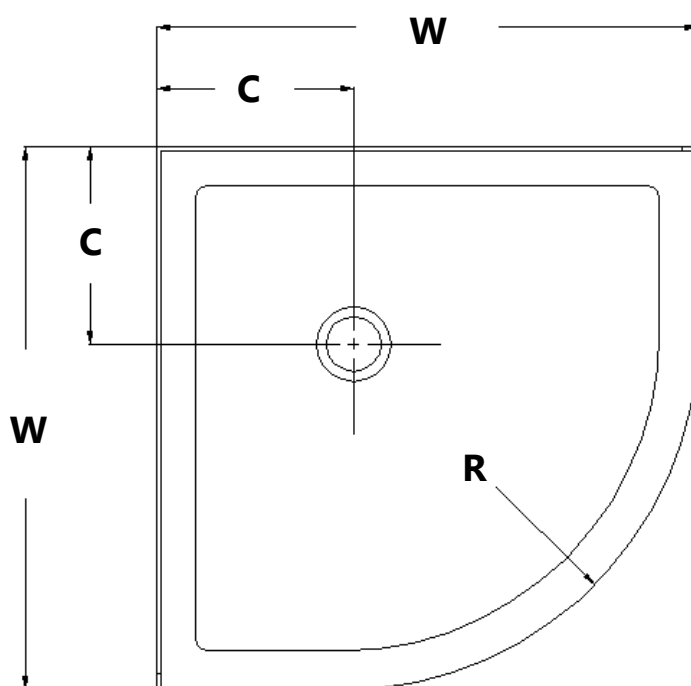
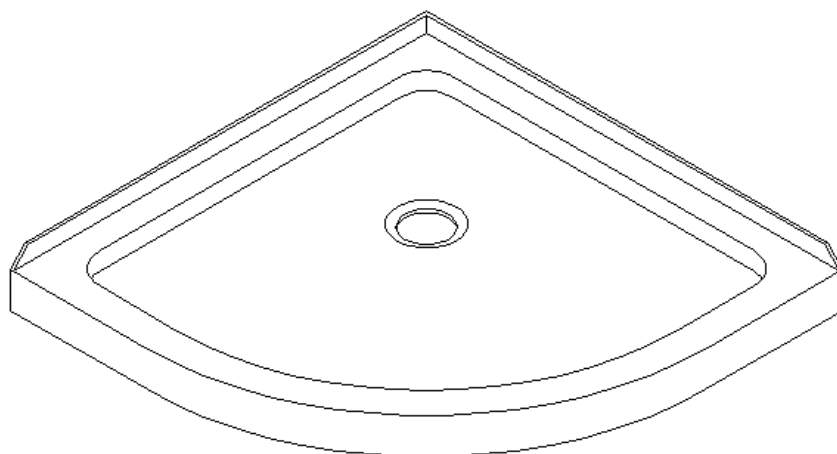
MODEL	SPECIFICATION	D (in)	W (in)	D1 (in)	W1 (in)
DLT-1130602	30"×60"	30"	60"	15"	12"
DLT-1132602	32"×60"	32"	60"	15"	12"
DLT-1134602	34"×60"	34"	60"	17"	12"
DLT-1136602	36"×60"	36"	60"	18"	12"

NEO ANGLE SHOWER BASE



MODEL	SPECIFICATION	W (in)	A (in)	B (in)	C (in)
DLT-2036360	36"×36"	36"	18 5/16"	25"	12"
DLT-2038380	38"×38"	38"	20 5/16"	25"	12"
DLT-2040400	40"×40"	40"	22 5/16"	25"	14 3/8"
DLT-2042420	42"×42"	42"	24 5/16"	25"	14 3/8"

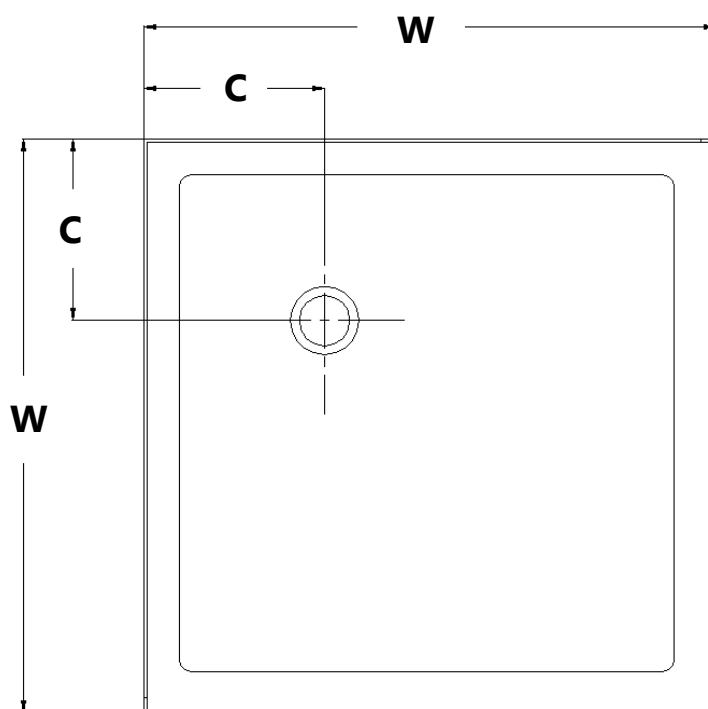
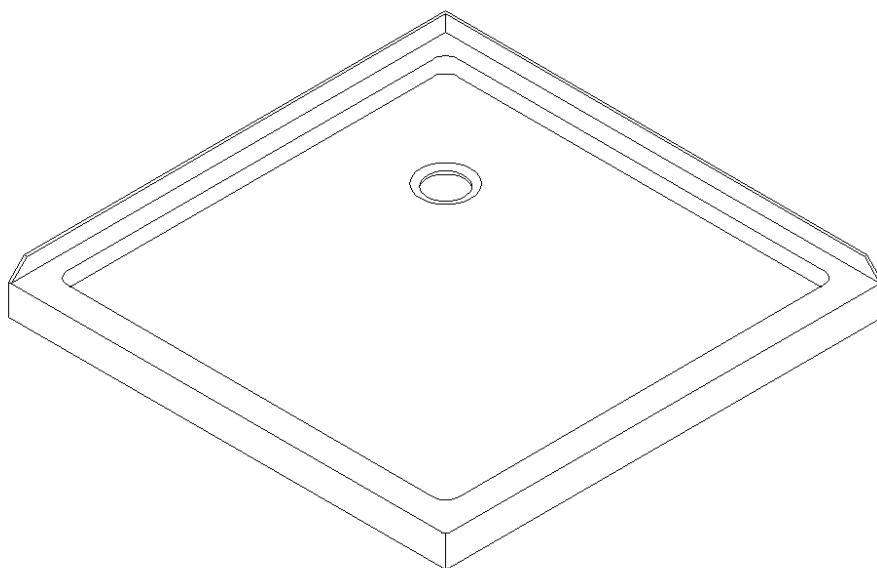
QUARTER ROUND SHOWER BASE



MODEL	SPECIFICATION	W (in)	C (in)	R (in)
DLT-7033330	33"×33"	33"	12"	21 5/8"
DLT-7036360	36"×36"	36"	12"	21 5/8"
DLT-7038380	38"×38"	38"	12"	21 5/8"

DOUBLE THRESHOLD SHOWER BASE

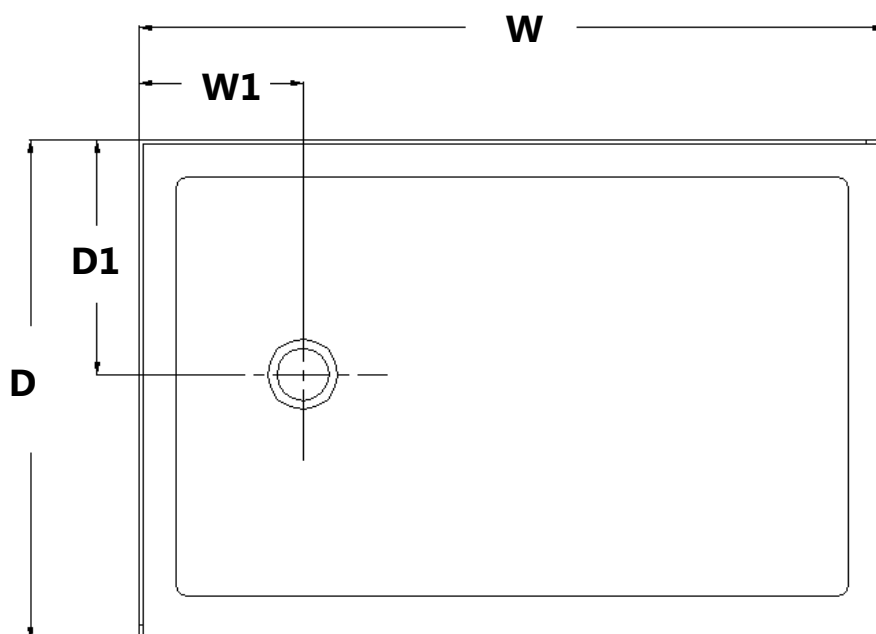
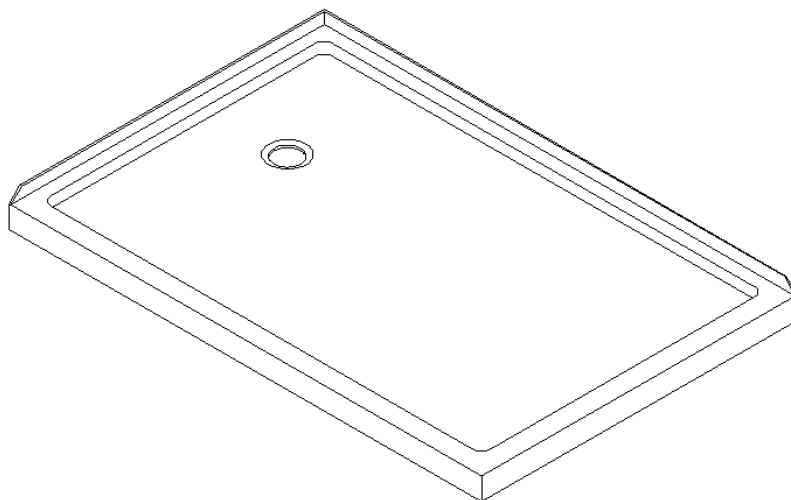
Corner Drain Configuration



MODEL	SPECIFICATION	W (in)	C (in)
DLT-1032320	32"×32"	32"	12"
DLT-1036360	36"×36"	36"	12"

DOUBLE THRESHOLD SHOWER BASE

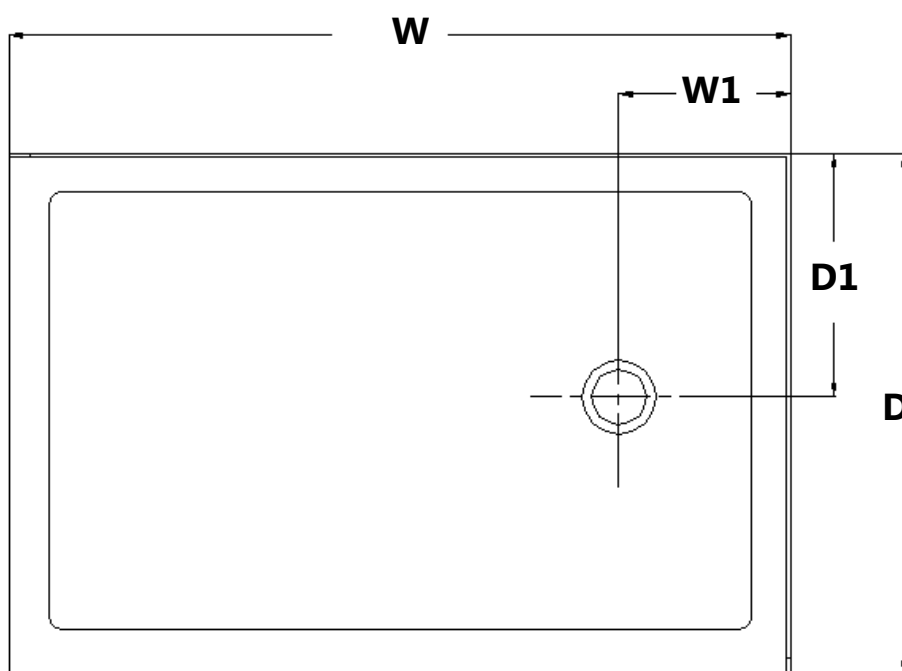
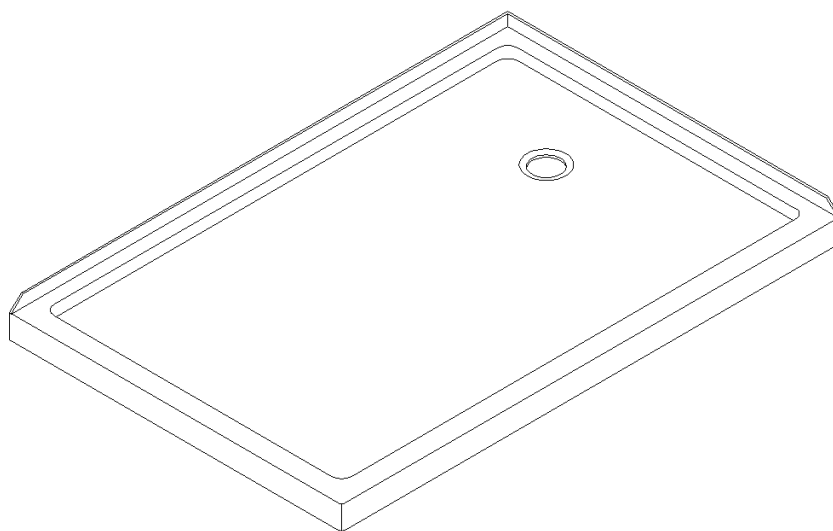
Left-Hand Drain Configuration



MODEL	SPECIFICATION	D (in)	W (in)	D1 (in)	W1 (in)
DLT-1034481	34"×48"	34"	48"	17"	12"
DLT-1036481	36"×48"	36"	48"	18"	12"
DLT-1036541	36"×54"	36"	54"	18"	12"
DLT-1036601	36"×60"	36"	60"	18"	12"

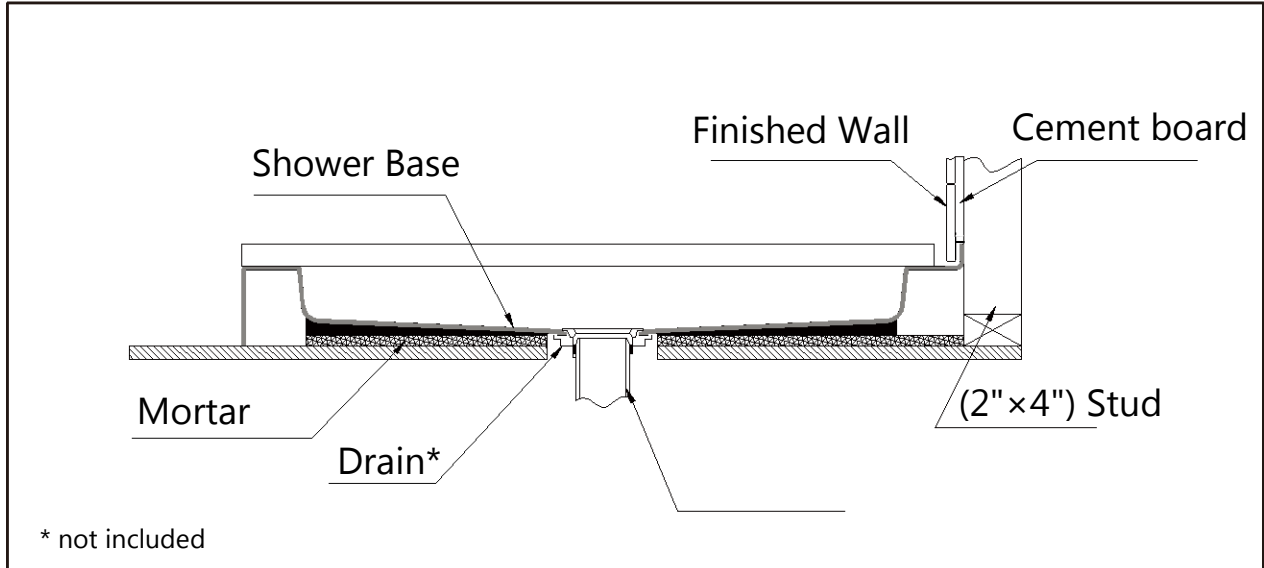
DOUBLE THRESHOLD SHOWER BASE

Right-Hand Drain Configuration



MODEL	SPECIFICATION	D (in)	W (in)	D1 (in)	W1 (in)
DLT-1034482	34"×48"	34"	48"	17"	12"
DLT-1036482	36"×48"	36"	48"	18"	12"
DLT-1036542	36"×54"	36"	54"	18"	12"
DLT-1036602	36"×60"	36"	60"	18"	12"

Shower Base Cross Section Diagram



Shower Base Installation - Preparation

1. Ensure that the floor and the studs are at right angles.
Provide a 5"×5" opening in the sub-floor for the drain.
The 2" PVC waste pipe should extend above the surface of the sub-floor according to the drain installation instructions and the height of the Shower base.
Refer to the product drawings and tables in this installation manual for the drain location.

See Fig. 1 and Fig. 2 for details.

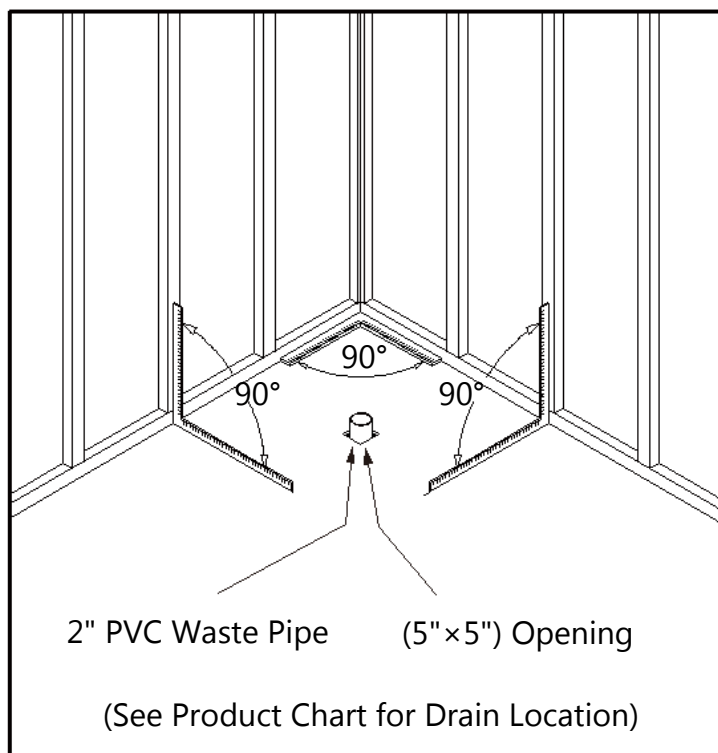


Fig. 1

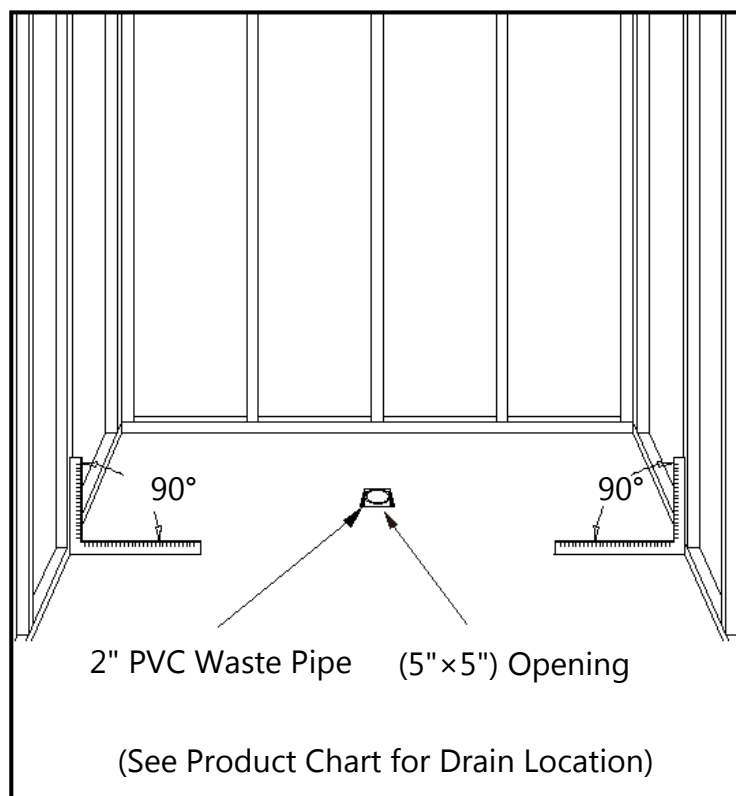


Fig. 2

2. Install the shower drain (**NOT INCLUDED**) according to the drain installation manual (supplied with the drain).

See Fig. 3 for example

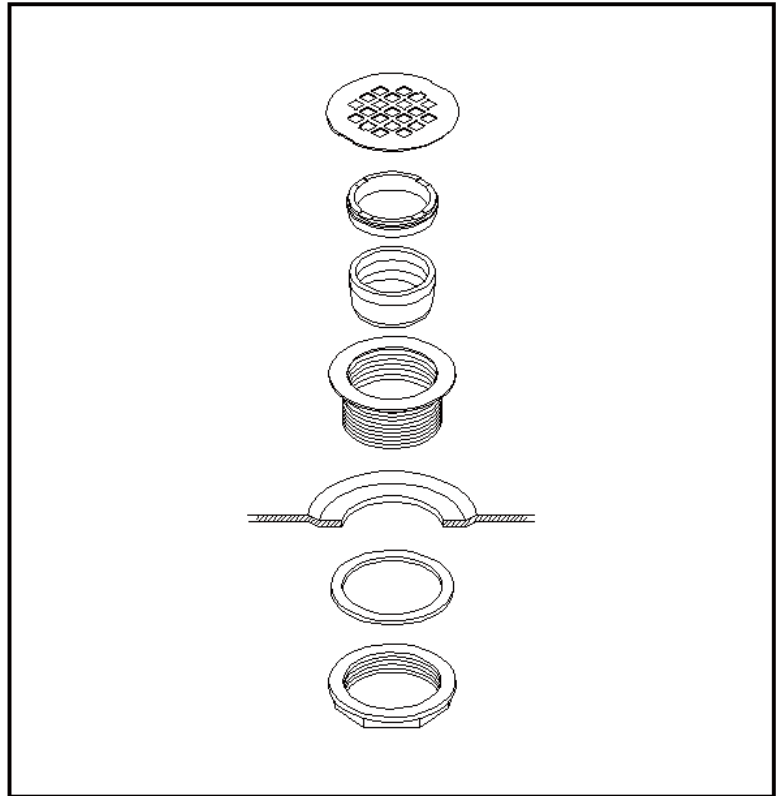
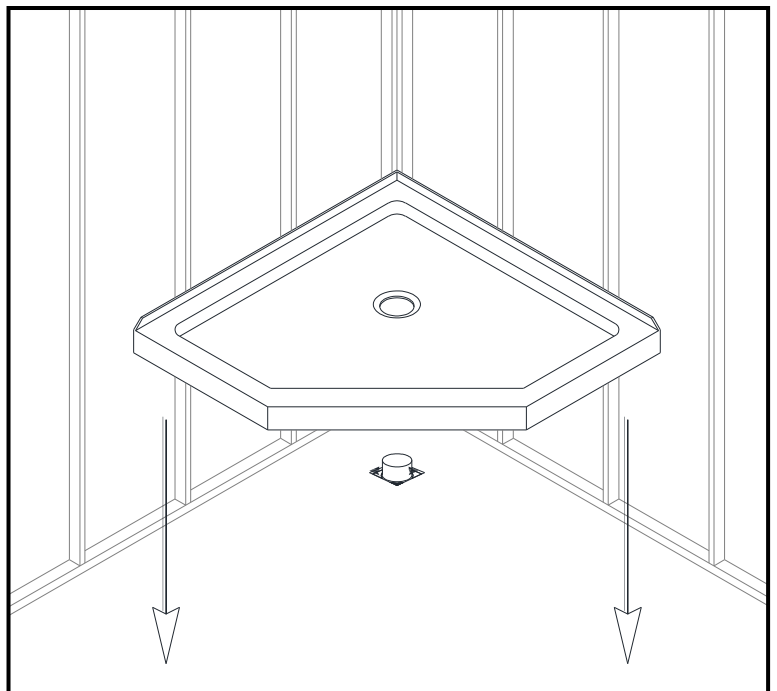


Fig. 3

3. Place the tray into the designated position so that the Drain cutout drops around the Drain Pipe and butt the Shower Base up against the studs.

See Fig. 4 for details.



Lower the base over the drain pipe and set it into place against the studs.

Fig. 4

- Level the tray and place marks on the studs above the upper edge of the tile flange.

See Fig. 5 for details.

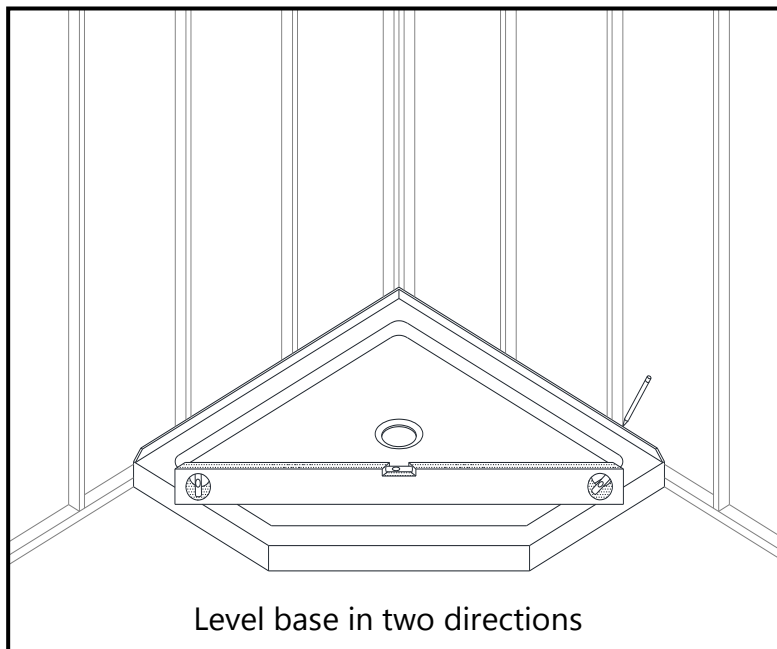


Fig. 5

- Mix the bedding material (Mortar, cement-sand mix, etc.) **Concrete or plaster is not recommended.** Apply enough bedding material to support the entire bottom of the shower base. This will add additional stability and prevent the base from shifting position.

See Fig. 6 for details.

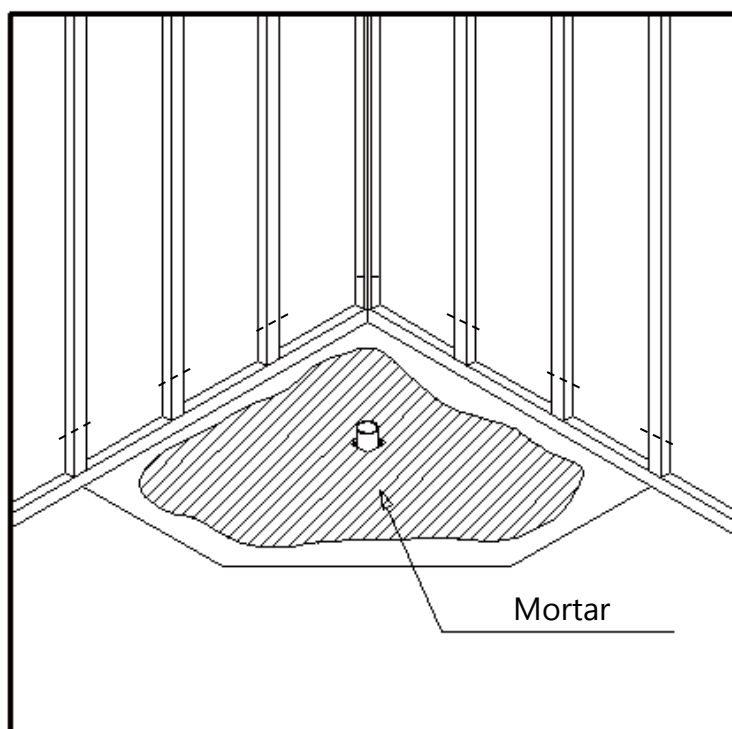


Fig. 6

6. After the bedding material has been poured and *before* it sets, place the shower base into the position with the drain assembly sliding over the PVC waste pipe. It will be necessary to push the shower base until the top of the tile flange aligns with the marks drawn on the studs and the front edge is contacting the rough floor along the entire length of the shower base. Ensure that the base is level in all directions. You may need to use shims to hold the tray level until the bedding fully sets. Remove all excess mortar.

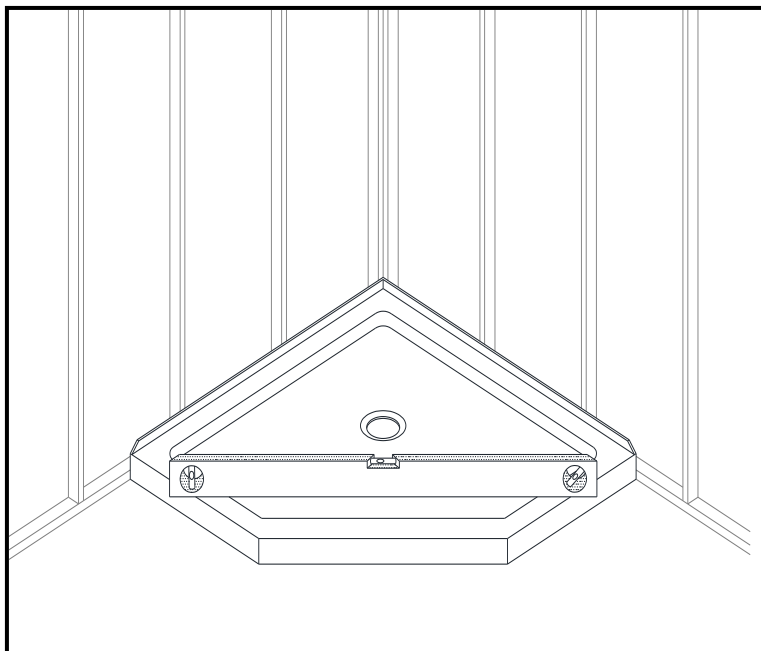


Fig. 7

7. Allow the bedding material to completely harden before applying weight to the bottom of the shower base.

Install the cement board (or the wallboard) above the tile flanges and secure it to the studs. Put the tiles (or other finishing wall material) over the cement board leaving 1/8" gap between the bottom of the tile or wall kit and the shower base. Use caulk to fill the gap.

See Fig. 8 and Fig. 9 for details.

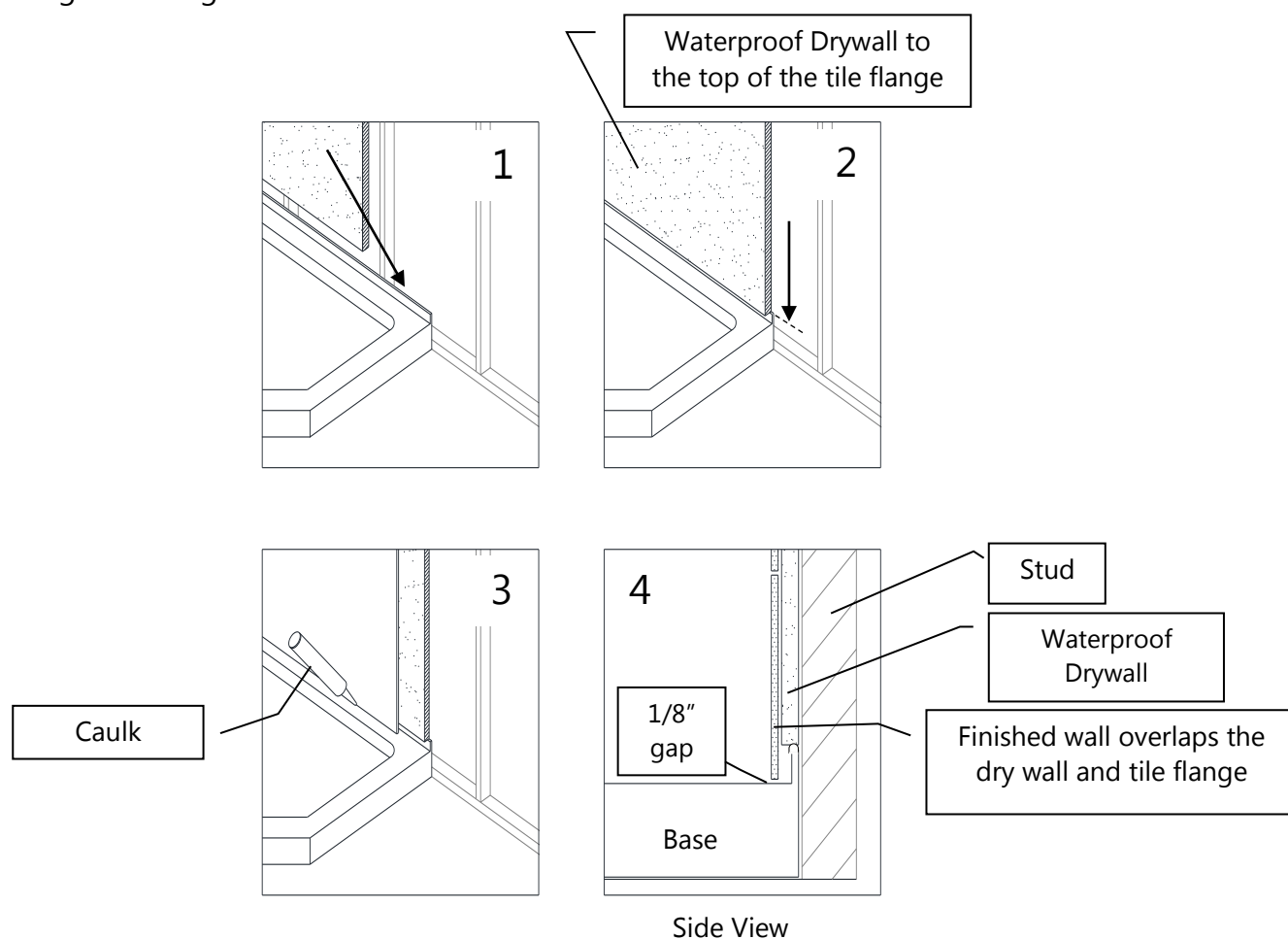


Fig. 8

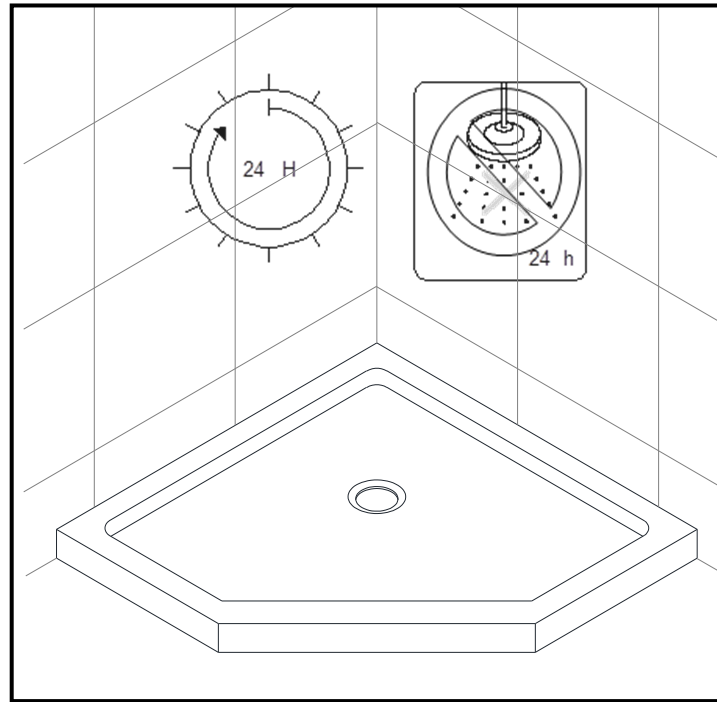


Fig. 9

Product Maintenance

BASES and BACKWALLS: To ensure long lasting life for your acrylic base and/or back walls: wipe them off after each use with a soft cloth. To clean the acrylic base or back walls use non-abrasive sprays or cream based cleaners. Avoid the use of aerosol spray cleaners. Never use abrasive cleansers, metal brushes or scrapers that could scratch or dull the surface.

GLASS: To ensure long lasting life for your glass shower products: wipe them off after each use with a soft cloth. Rinse and wipe off the glass using either a soft cloth or a squeegee to prevent soap buildup and water spots (Hard water can etch the surface of the glass over time if left to dry). To prevent scratching the surface: never use abrasive cleaners or cleaning products that contain scouring agents. Never use bristle brushes or abrasive sponges that may scratch the surface.

HARDWARE: To ensure a long lasting finish: wipe off the metal parts after each use with a soft cloth. Do not use abrasive cleaners or cleaning products containing ammonia, bleach or acid. If accidentally used, rinse the surface as soon as possible to prevent damage to the finish (peeling or corrosion). After cleaning the polished finishes, rinse thoroughly and wipe dry with a soft cloth.

Clean stainless steel surfaces at least once a week. When applying stainless steel cleaner or polish to stainless steel hardware, work with (not across) the grain. Never use an abrasive sponge or cloth, steel wool or wired brush as these may permanently scratch the surfaces.

NOTE: To maximize the life of your door, it is important to regularly inspect the glass and other hardware for misalignment, proper attachment, and/or damage. Contact DreamLine with any questions or concerns.



TEL: [866-731-2244](tel:866-731-2244)

FAX: [866-857-3638](tel:866-857-3638)

DREAMLINE.COM

For more information on [DreamLine® Shower Doors](http://DreamLine.com) and [Enclosures](#) please visit DreamLine.com

ENCORE

SHOWER AND TUB DOOR INSTALLATION INSTRUCTIONS

IMPORTANT

DreamLine® reserves the right to alter, modify or redesign products at any time without prior notice. For the latest up-to-date technical drawings, manuals, warranty information or additional details please refer to your model's web page on **DreamLine.com**

<http://dreamline.com/content/technical-documentation-and-manuals>

MODEL #s

SHDR-1660580P-##

SHDR-1648760-##

SHDR-1654760-##

SHDR-1660760-##-FR

##=finish

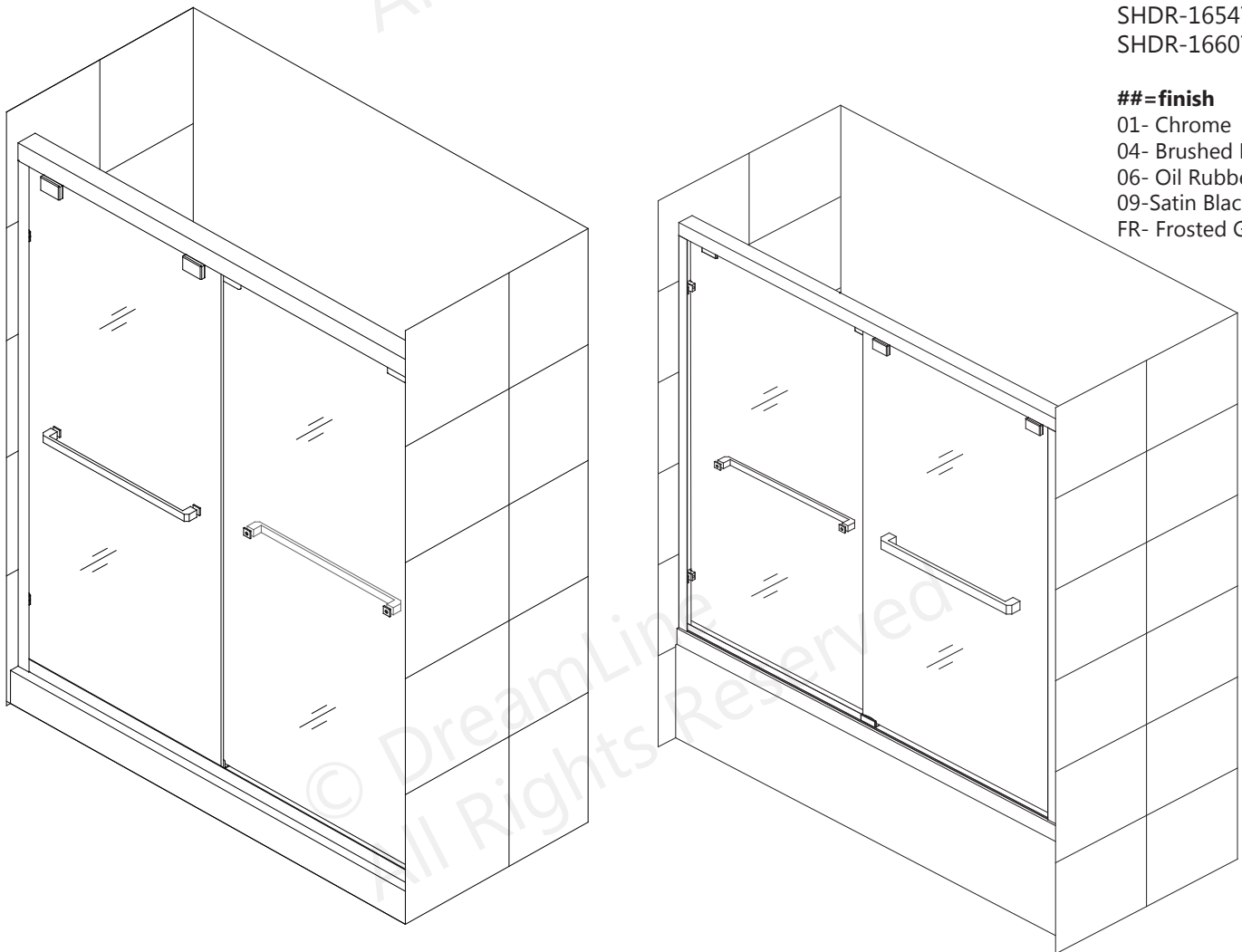
01- Chrome

04- Brushed Nickel

06- Oil Rubbed Bronze

09- Satin Black

FR- Frosted Glass



Please review this entire manual prior to installation

Questions?

Please Call DreamLine Customer Support: **1-855-831-2126**
Hours of Operation M-F 8AM - 7PM EST and Saturday 9AM - 5PM EST

Support@DreamLine.com

For more information about DreamLine® Shower Doors & Tub Doors please visit **DreamLine.com**



This model is treated with DreamLine's exclusive ClearMax™ Glass technology. This is a specially formulated coating that prevents the build up of soap and water spots.

Install the surface with the ClearMax™ label towards the inside of the shower. Please note that depending on the model, the glass may be coated on either one or both surfaces.

For best results, squeegee the glass after each use and dry with a soft cloth.


Table of Contents

Section title	Page #
Preparation	2
Tools	3
Detailed diagram of shower door components and Parts List	4
Installation Steps	5-16
Cutting the guide rails	6
Installing the doors	13-14
Roller Assembly Adjustment	15
Product maintenance	17



All drawings in this manual are for illustrative purposes only and are not drawn to scale.

Preparation

1. Prior to installation, examine all boxes and packages for shipping damage and compare the piece count with your packing slip. After opening all boxes and packages read this introduction carefully. Check that all of the needed parts are included in the package by checking off the components on the "Detailed Diagram of Shower Door Components". If the unit has been damaged, has a finishing defect, or has missing parts, please contact our customer support department within **3 business days** of the delivery date. **Please note that DreamLine® will not replace any damaged products or missing parts free of charge after 3 business days or if the product has been installed.** Feel free to contact DreamLine™ if you have any questions, and please provide an order number, job name or other proof of purchase to help us identify your original order.
2. **Please note that you should consult your local building codes with questions on installation compliance standards. Building and plumbing codes may vary by location, and DreamLine® is not responsible for code compliance standards for your project and will not accept any returns.**
3. If this unit is going to be installed in a new construction, please install all of the required plumbing and drainage before installing the shower. **Use a competent and licensed (if required by local code) plumber for all plumbing installation.**
4. Prior to beginning the installation, make sure that the surfaces are leveled and solid and will be able to support the total weight of the unit. Also make sure the walls are at right angles. Irregular installation surface level, radius corners or improper angle of side walls will result in serious problems for your installation. Please note that some adjustments and drilling will be necessary during the installation process.
5. Protect all primary surfaces of the product during installation. Never set the glass down directly onto a tile floor. Leave corner protectors in place until necessary to remove them. Always use a piece of wood or cardboard to protect the bottom edge and corners of the glass prior to and during installation.
6. **This unit must be installed upon a level finished threshold and against finished walls.**
7. **This model can accommodate up to 3/8" per wall profile for out-of-plumb conditions. Verify that the walls are plumb before proceeding with the installation.**
8. **This model requires that you drill into the threshold for proper installation.**
 **Any questions regarding the drilling into a threshold or tubdeck should be directed to the manufacturer of that product.**
9. **This model requires a minimum 2-1/4" of flat, level threshold space for installation.**
10. **This model requires two people for installation.**
11. **Professional installation recommended.**

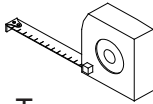


NOTE: Do Not attach the **Towel Bars (#08)** to the **Door Glass (#03)** until instructed. **Do Not** attempt to lift the glass with the towel bars as doing so may cause damage to the glass and/or serious personal injury. Use an assistant or a professional grade glass suction cup to handle the glass.

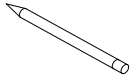
Tools



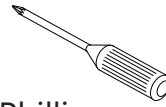
Level



Tape Measure



Pencil



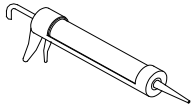
Phillips Screwdriver



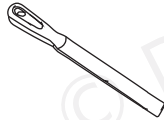
Drill bit (Ø5/16")



Drill bit (Ø1/8")



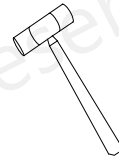
Silicone



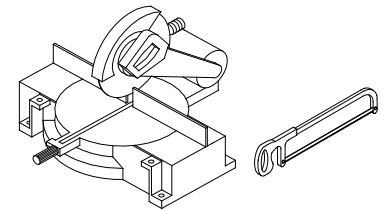
Metal File



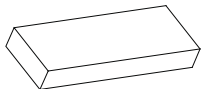
Power Drill



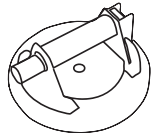
Hammer



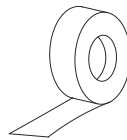
Miter Saw or Hacksaw



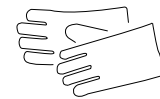
1" thick wood block



Professional-grade Glass suction cup



Painter's Tape



Work Gloves



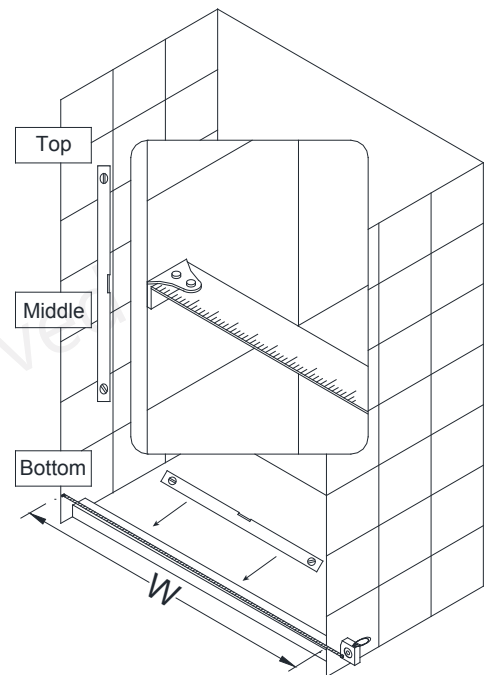
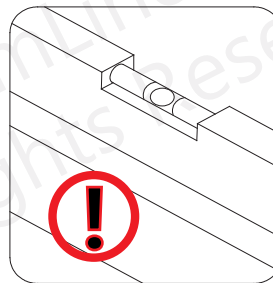
Safety Glasses

Tip: Measure the finished opening before proceeding with the installation to be sure that the correct model size has been ordered.

Tip: Prior to installation, cover the shower/tub drain with tape to prevent losing screws or small parts.

Tip: Set screw gun clutch to low setting when installing screws and bolts to prevent stripping the heads.

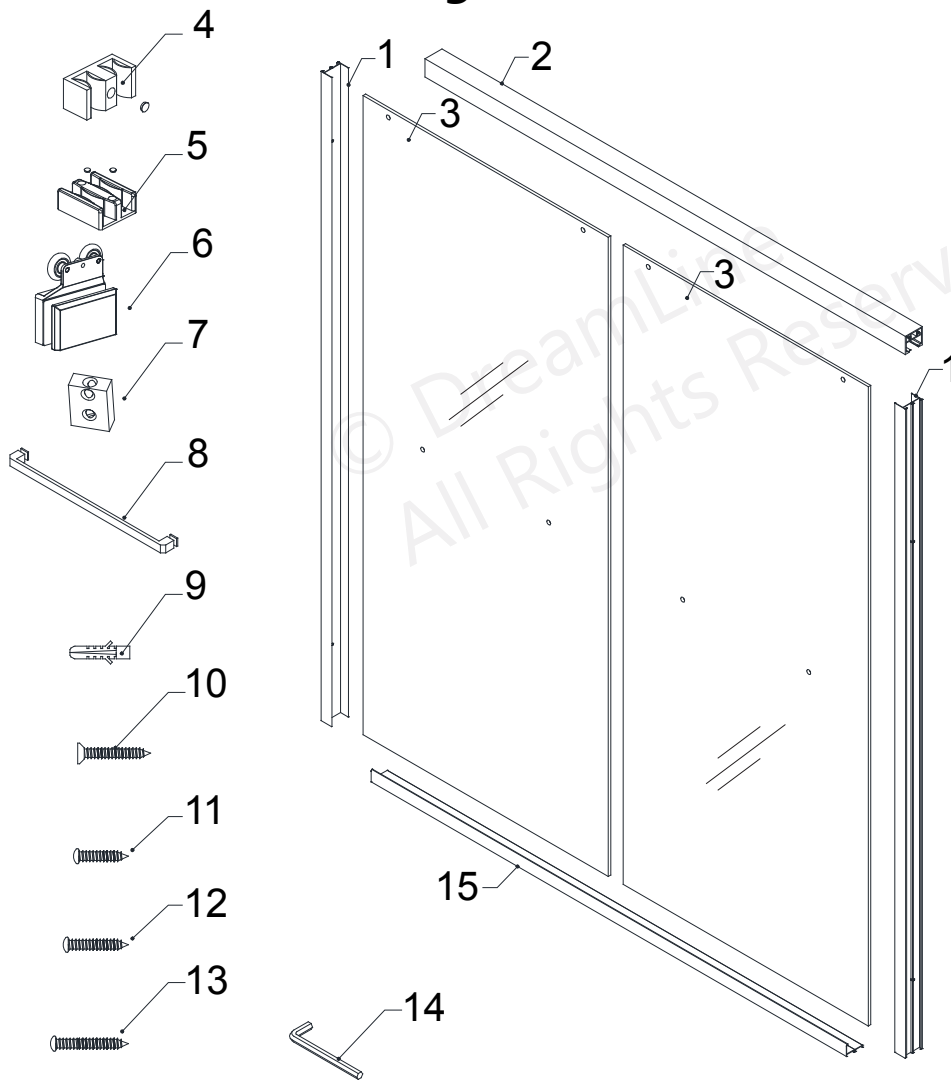
Threshold must be level.



NOTE: Unpack your unit carefully and inspect it. Lay it out and identify all parts using the detailed diagram and packing list in your manual as a reference. Before discarding the carton, check for small hardware bags that may have fallen to the bottom of the box. If any parts are damaged or missing, please contact DreamLine® for replacement. The shipping boxes may contain extra parts not used in your model configuration.

NOTE: Retain these installation instructions for future reference.

Detailed Diagram of shower door components



The glass surface with the ClearMax™ label must be installed to face inside the shower

For models with frosted glass: install the textured surface toward the outside of the shower.

#	ITEM	Qty	#	ITEM	Qty
1	Wall Profile	2pcs	9	Ø8 Plastic Wall Anchor	6pcs
2	Upper Guide Rail	1pc	10	Countersunk Head Screw ST4.2x40	4pcs
3	Door Glass	2pcs	11	Truss Head Self-Tapping Screw ST4.2x40	4pcs
4	Wall Profile Bumpers	4pcs	12	Truss Head Self-Tapping Screw ST4.2x16	2pcs
5	Guide Block	1pc	13	Truss Head Self-Tapping Screw ST4.2x30	2pcs
6	Roller Assembly	4pcs	14	Allen Wrench 3mm	1pc
7	Upper Guide Rail Connector	2pcs	15	Bottom Guide Rail	1pc
8		2pcs			
Boxes					
#	Box	Box Contents by part#			
1	Glass Box (GL)	3			
2	Aluminum Acc Box (AC)	1. 2. 4. 5. 6. 7. 8. 9. 10. 11. 12. 13. 14. 15			
3	Spare Acc Parts Bag	12. 13 one each; 9. 10. 11 three each.			

Installation steps

NOTE: This manual will describe the shower door installation. Follow the same sequence of installation steps for the tub door installation.

- 1.** Check the threshold for level and the walls for plumb. Measure the finished opening width at the bottom and at the top (at the model height: 58" for tub or 76" for shower). Use these dimensions as "**W^{top}**" and "**W^{bot}**" in step #2. Check the threshold for level and the walls for plumb. **(Fig 1)**

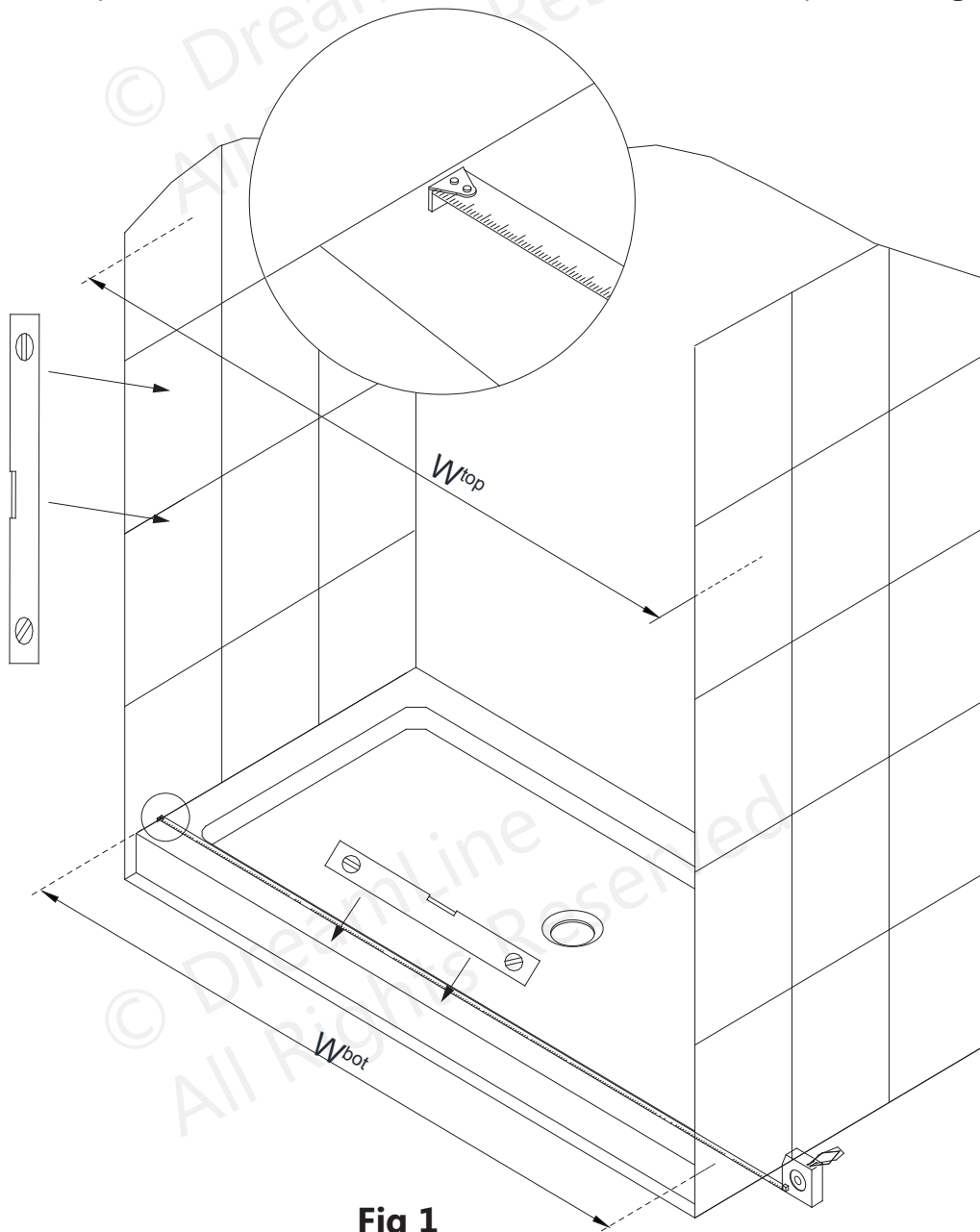


Fig 1



Note: The threshold must be level.

2. Use a miter saw or hacksaw to cut the **Upper Guide Rail (#02)** 1/16" shorter than the top dimension W^{top} from step #1. ($W^{top} - 1/16" = \text{finished cut length } L$) (**Fig 2a**)

The Bottom Guide Rail (#15) needs to be cut equally from both ends to keep the center guide holes centered. (The **Bottom Guide Rail (#15)** has been precut for the model size. **See Table A**). Using a miter saw or hack saw, cut the **Bottom Guide Rail (#15)** 3/4" shorter than the bottom dimension W^{bot} from step #1. ($W^{bot} - 3/4" = \text{finished cut length } L$) (**Fig 2a and 2b**)

Upper Guide Rail:
 $L = W^{top} - 1/16"$

Bottom Guide Rail:
 $L = W^{bot} - 3/4"$ (cut equally from both ends)

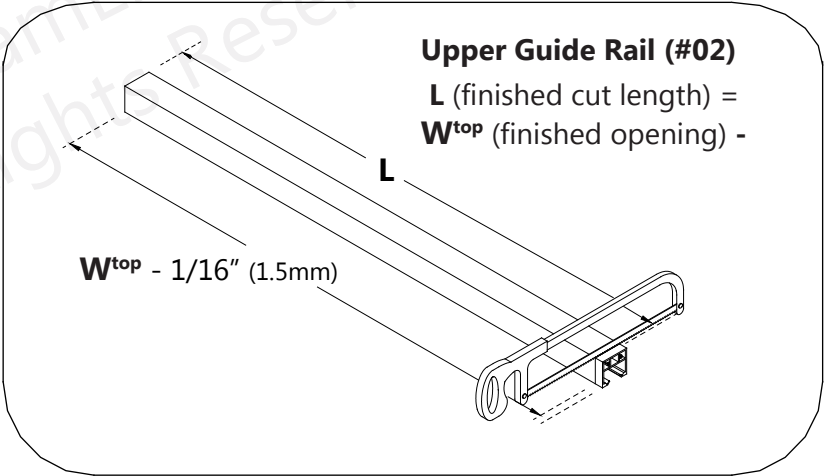


Fig 2a



NOTE: The **Upper Guide Rail** fits wall-to-wall and can be cut from either end.
 The **Bottom Guide Rail (#15)** needs to be shorter because it fits between the wall profiles and needs to be cut equally from both ends.

Bottom Guide Rail (#15)

FOR EXAMPLE:
 If the finished opening $W^{bot} = 59"$, then $59" - 3/4" = 58-1/4"$ (cut 3/8" from each end)
 Finished cut length "L" will = $58-1/4"$

Note that this is only an example and the actual cut-off amount will vary based on the actual finished opening dimension.

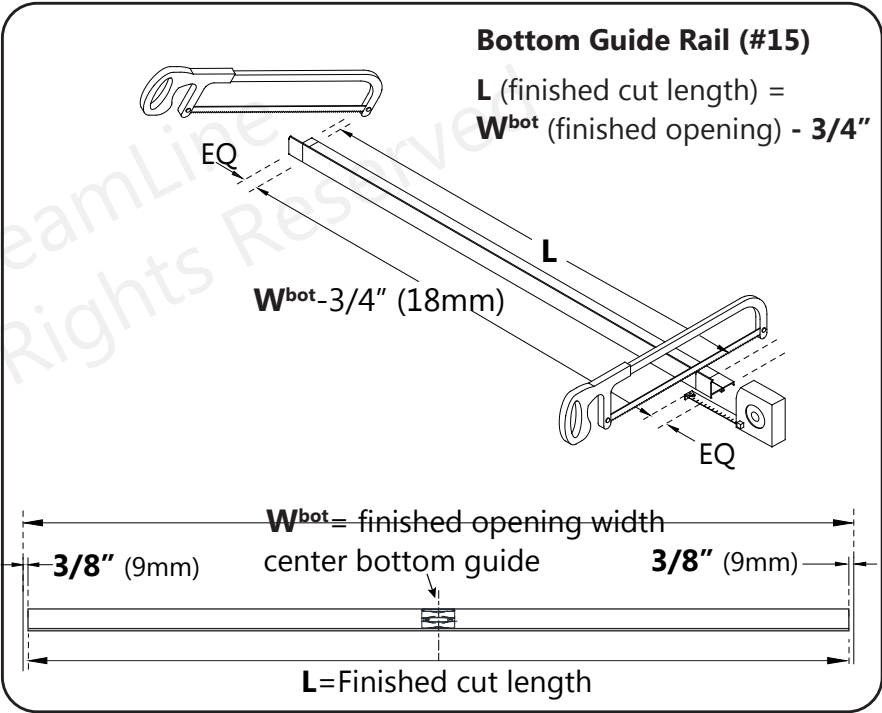


Fig 2b

3. Place the **Bottom Guide Rail (#15)** onto the threshold in the desired position. Use a tape measure to align the **Bottom Guide Rail (#15)** parallel with the front edge of the threshold and mark its position. **(Fig 3a)**

! **TIP:** Use the left and right **Wall Profiles (#01)** to center the **Bottom Guide Rail (#15)** on the threshold to maintain the proper spacing from the walls. **(Fig 3b)**

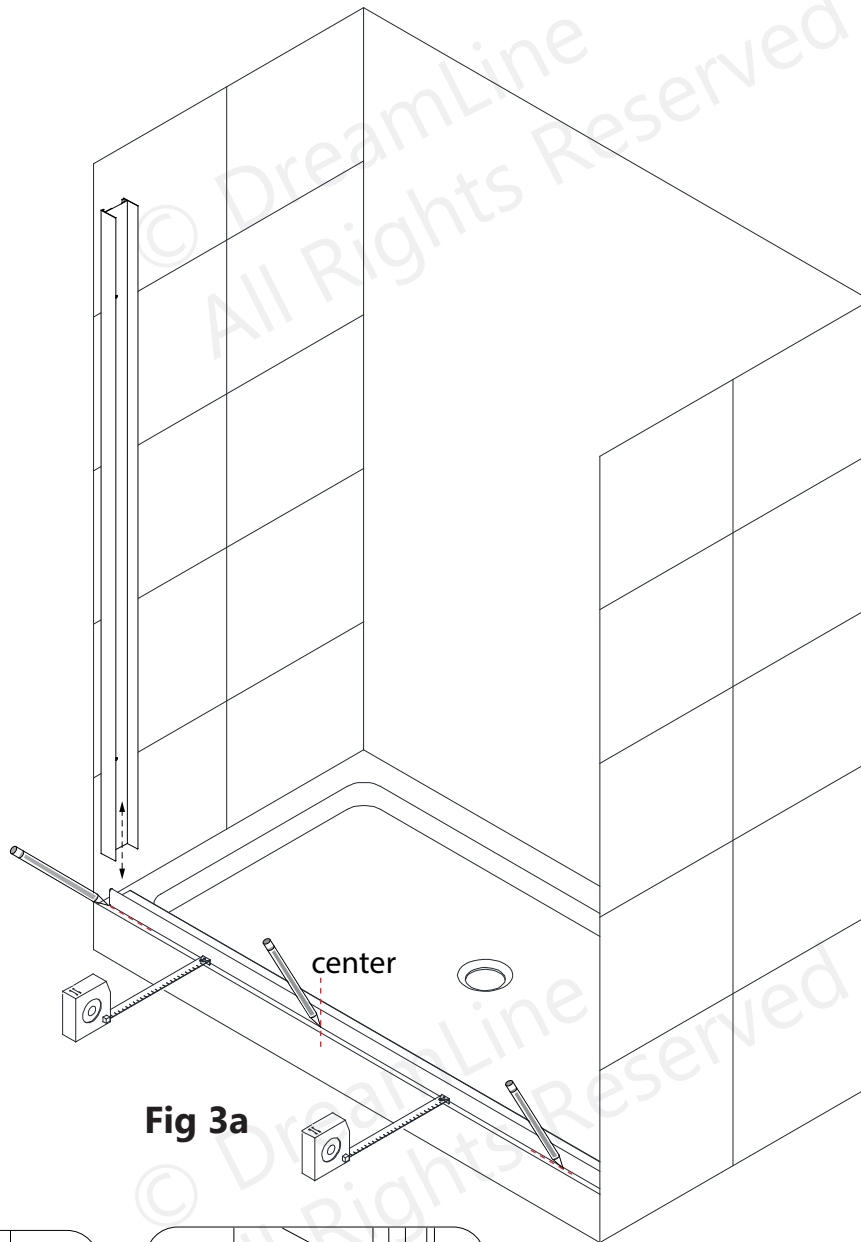


Fig 3a

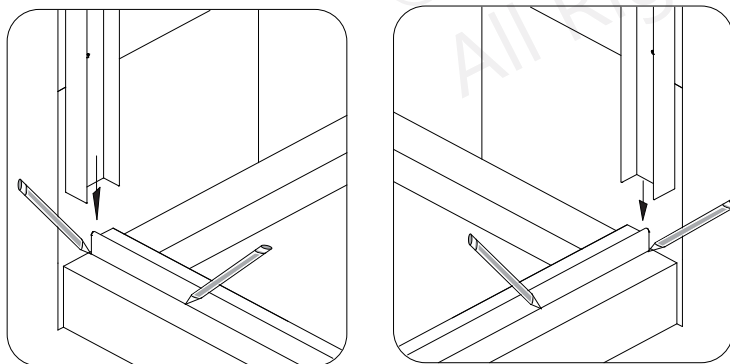


Fig 3b

Note: The bottom guide rail fits between the wall profiles. Use the wall profiles to leave the proper spacing for their installation in a later step.

4. Attach the **Upper Guide Rail Connectors (#07)** to one end of both **Wall Profiles (#01)** using the **ST4.2 x 30 Truss Head Screws (#13)**. (Fig 4a)

Position one **Wall Profile (#01)** against the wall tight to the threshold and over the **Bottom Guide Rail (#15)**. Check for plumb with a level and mark the position. Mark both holes for drilling on the wall through the holes in the **Upper Guide Rail Connector (#07)**. (Fig 4b)

Remove the wall profile and drill **Ø5/16"** holes and insert the **Wall Anchors (#09)**. (Fig 4a and 4b)

TIP: Add a few drops of dish soap to the screws to make installation easier.

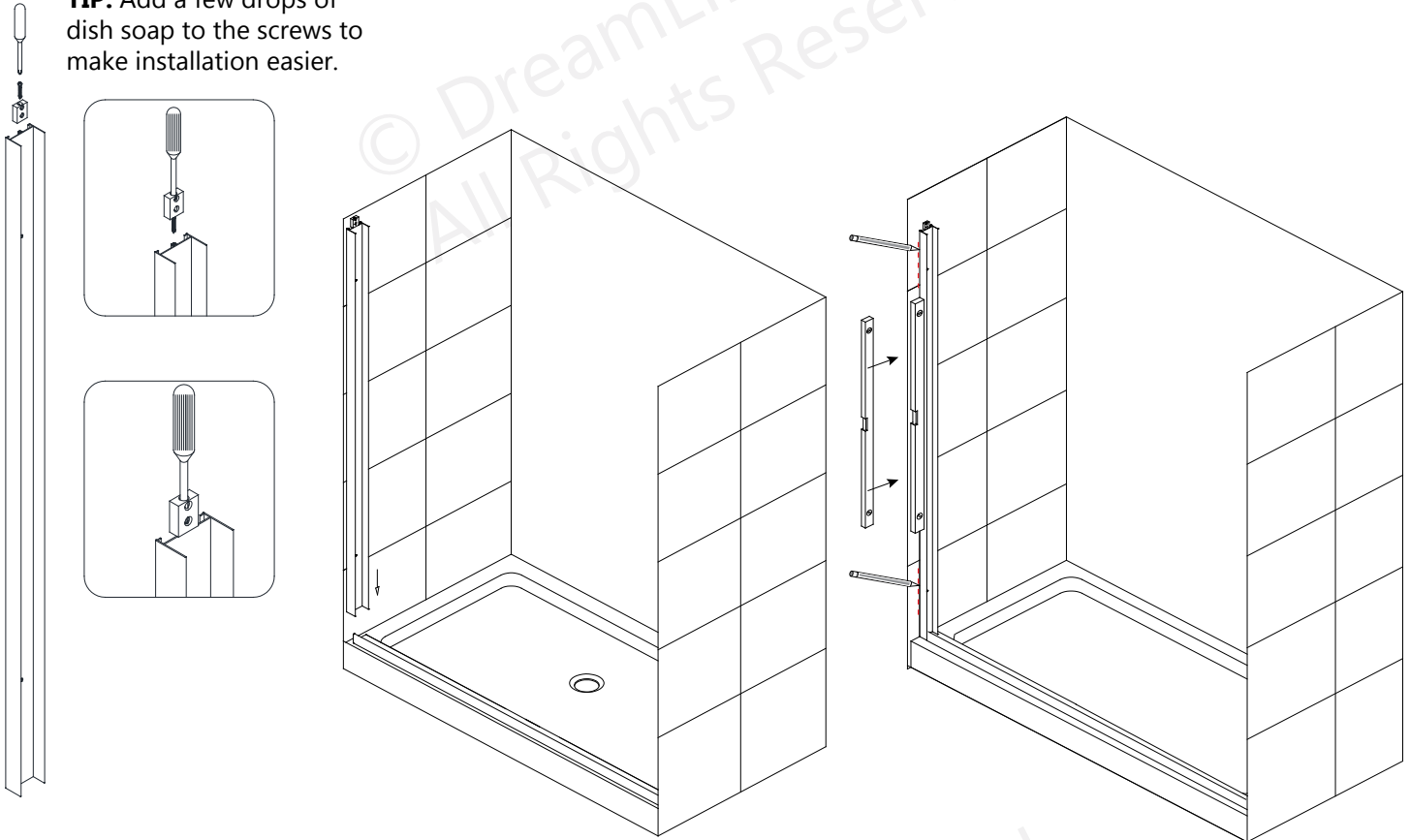


Fig 4a

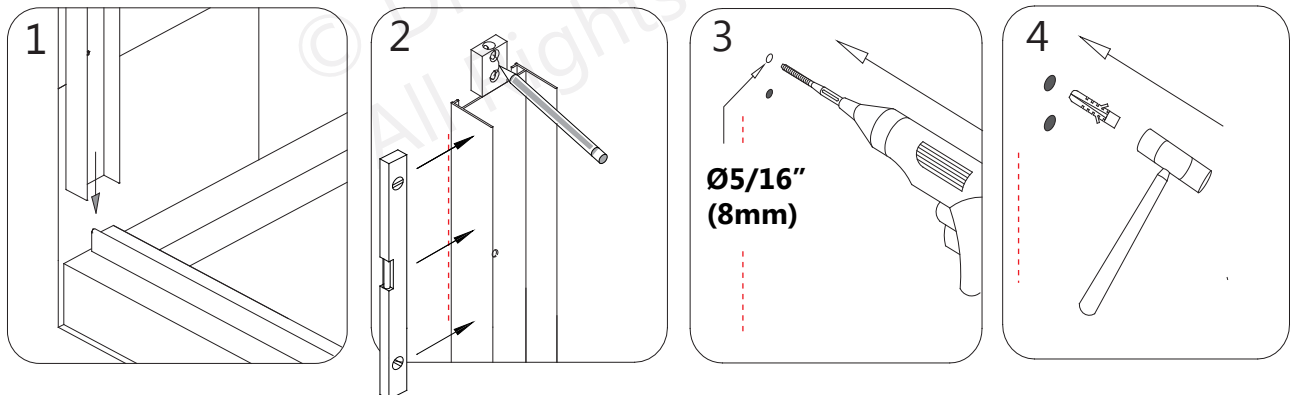


Fig 4b

5. Apply silicone to the back of the **Wall Profile (#01)** and place it back onto the marked position on the wall. Attach the **Upper Guide Rail Connector (#07)** to the wall using two each of the **ST4.2 x 40 Countersunk Flathead Screws (#10)**.

Attach two of the **Wall Profile Bumpers (#04)** using the **ST4.2 x 10 Screws (#11)** and cover the holes with the decorative caps. **(Fig 5a and 5b)**

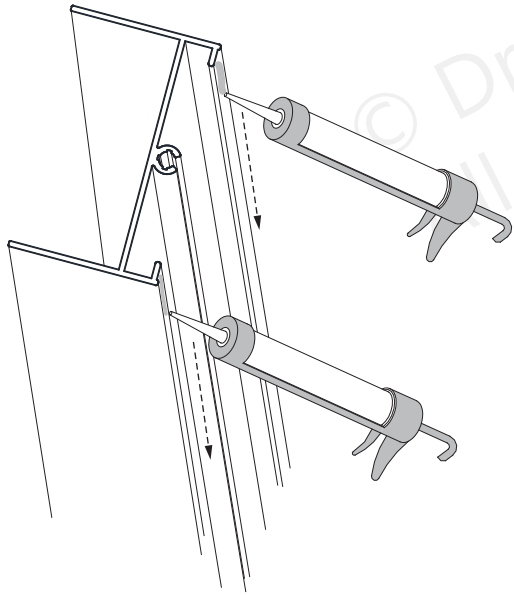
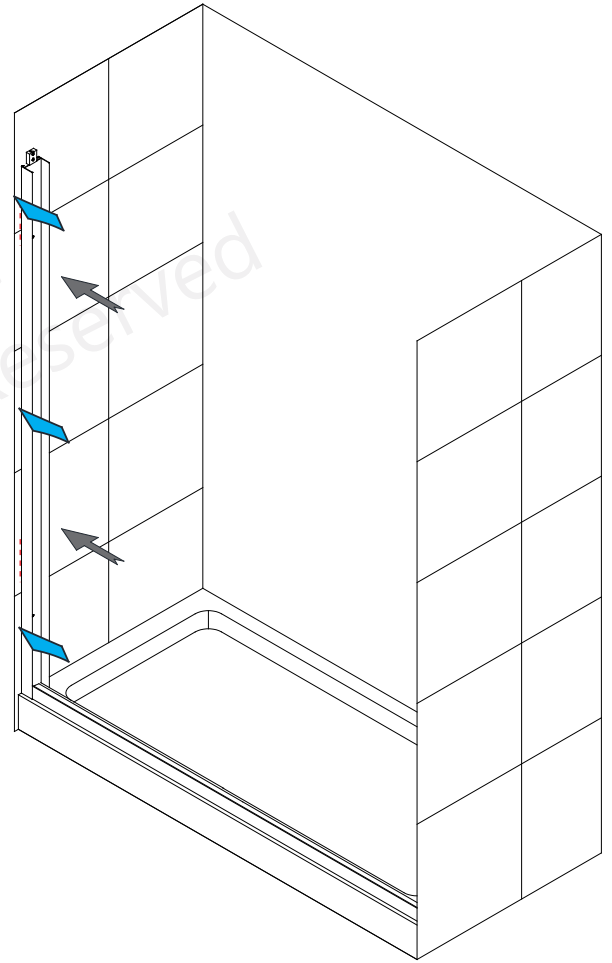


Fig 5a



TIP: Secure the wall profile to the wall with several strips of painter's tape or similar to hold it tight in position until the silicone cures.

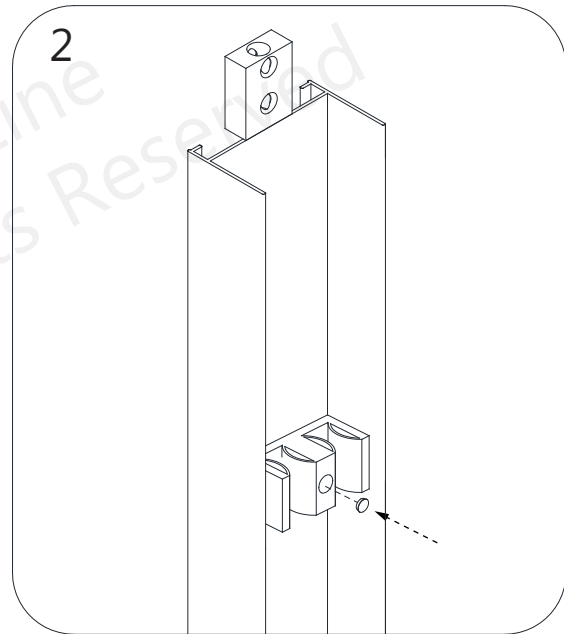
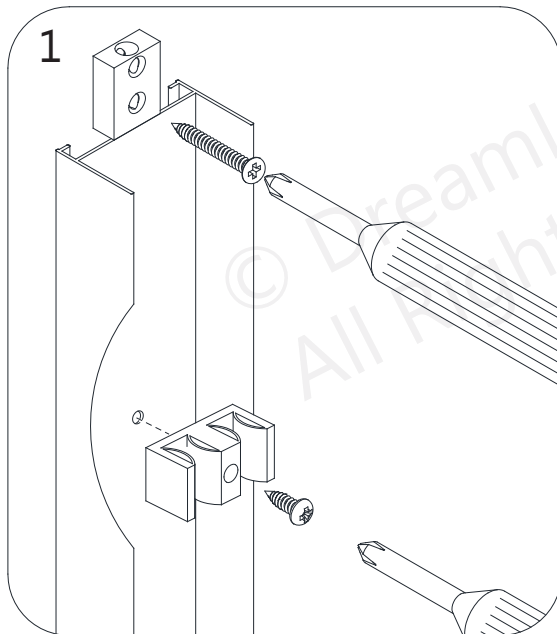


Fig 5b

6. Position the **Bottom Guide Rail (#15)** back onto the threshold and mark the threshold through the **Guide Block (#05)** holes for drilling. Remove the **Bottom Guide Rail (#15)** and drill into the threshold:

- Drill **Ø1/8"** holes for installation into an acrylic threshold
- Drill **Ø5/16"** holes and use anchors for installation into a tile threshold. (**Fig 6**)

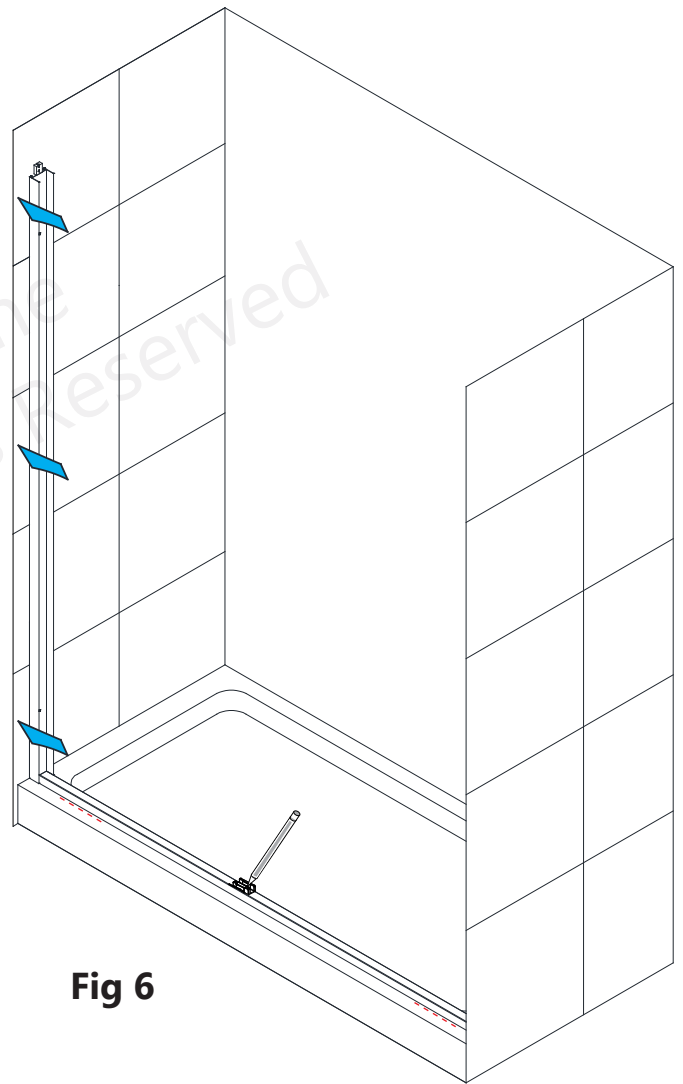
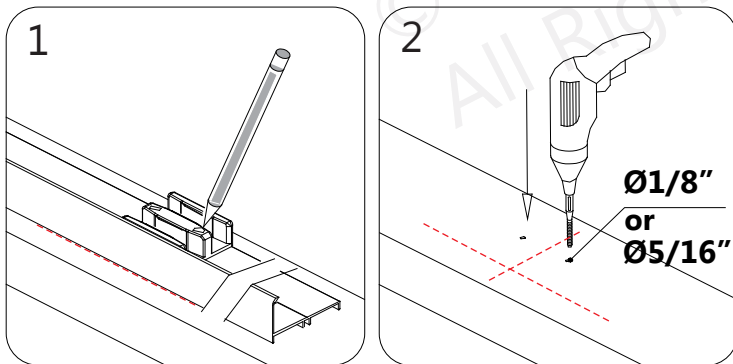


Fig 6



The bottom rail must be screwed to the threshold or tub deck. Any questions regarding the drilling into a threshold or tubdeck should be directed to the manufacturer of that product.

7. Apply silicone to the bottom surface of the **Bottom Guide Rail (#15)** and place it back into position on the threshold. Attach the **Guide Block (#05)** and **Bottom Guide Rail (#15)** to the threshold using two of the **ST4.2 x16 Screws (#12)** and cover the screw holes with the decorative caps. (**Fig 7**)

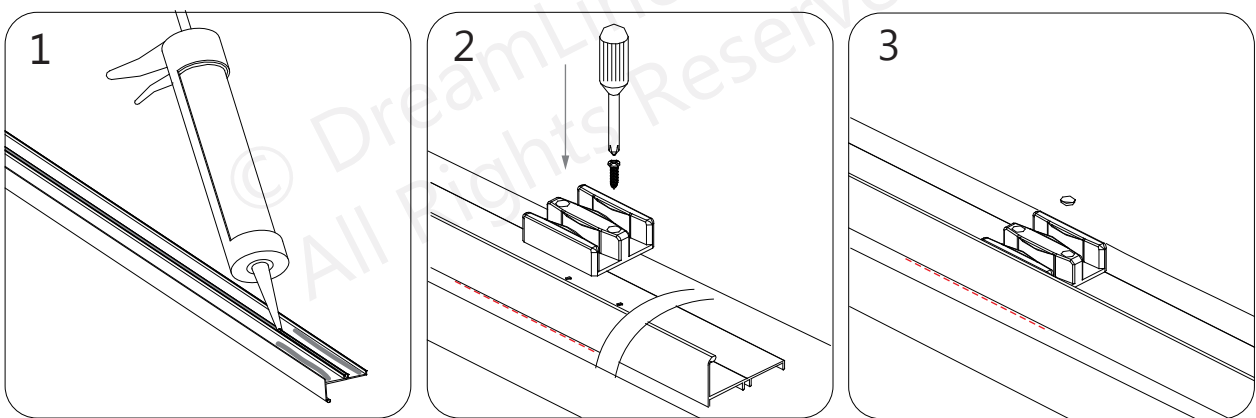


Fig 7



TIP: Use several strips of painter's tape (or similar) to hold the bottom guide rail tight to the threshold until the silicone cures.



Painter's Tape

8. Position the opposite **Wall Profile (#01)** against the wall, tight to the threshold and over the **Bottom Guide Rail (#15)**. Check for plumb with a level and mark the position. Mark the holes in the **Upper Guide Rail Connector (#07)** for drilling. **(Fig 8b.1)** Remove the wall profile and drill **Ø5/16"** holes and insert the **Wall Anchors (#09)**. **(Fig 8a and 8b)**

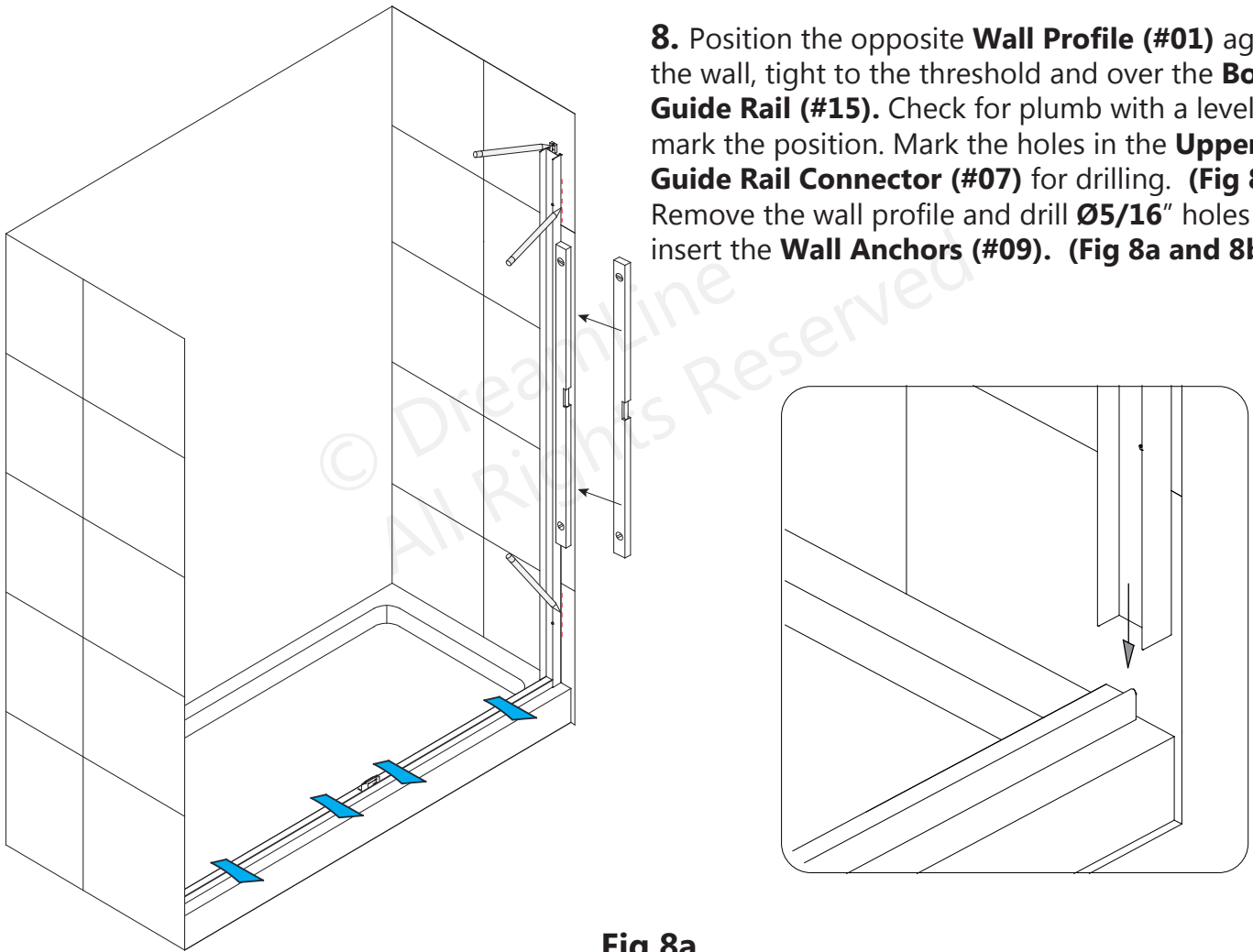


Fig 8a

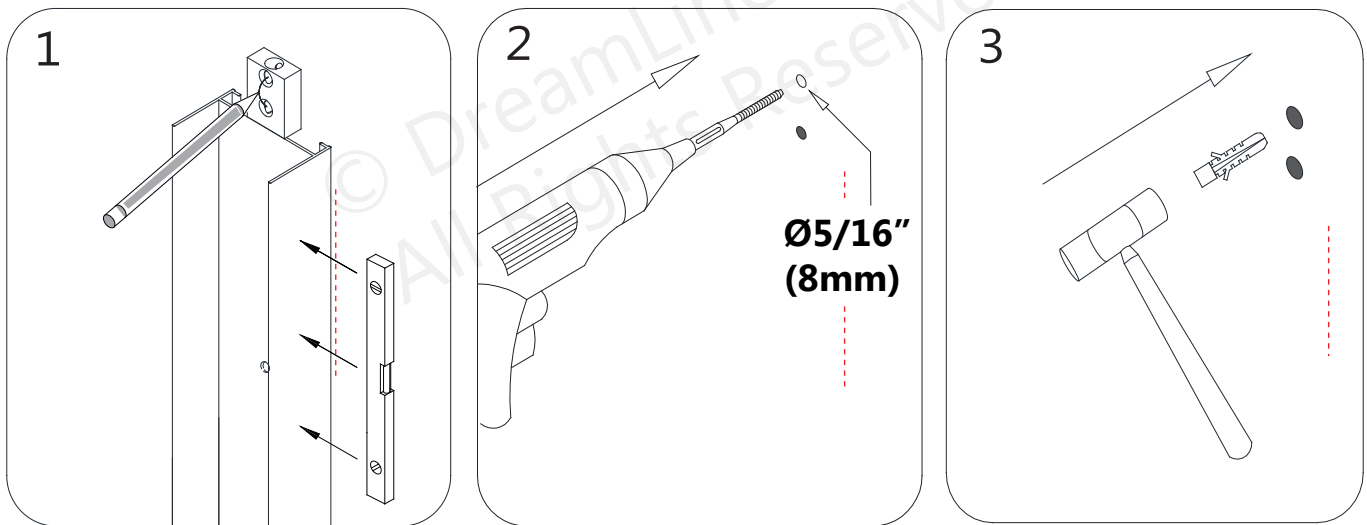


Fig 8b

9. Apply silicone to the back of the **Wall Profile (#01)** and place it back onto the marked position on the wall. Attach the **Upper Guide Rail Connector (#07)** to the wall using two each of the **ST4.2 x 40 Countersunk Flathead Screws (#10)**. Attach two of the **Wall Profile Bumpers (#04)** using the **ST4.2 x 10 Screws (#11)** and cover the holes with the decorative caps. **(Fig 9)**

! **TIP:** Secure the wall profile to the wall with several strips of painter's tape or similar to hold it tight in position until the silicone cures.

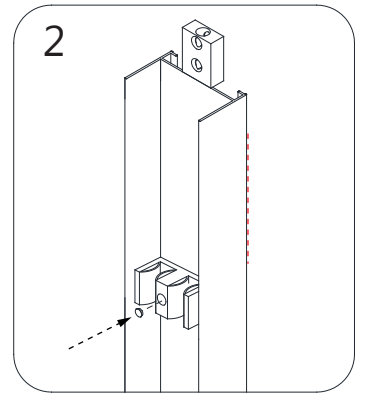
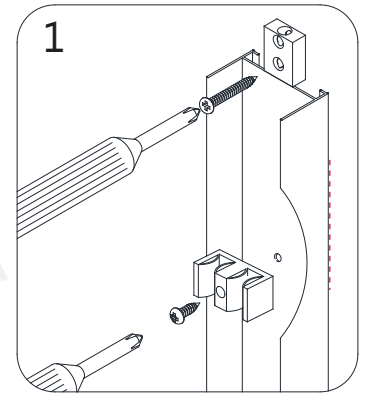
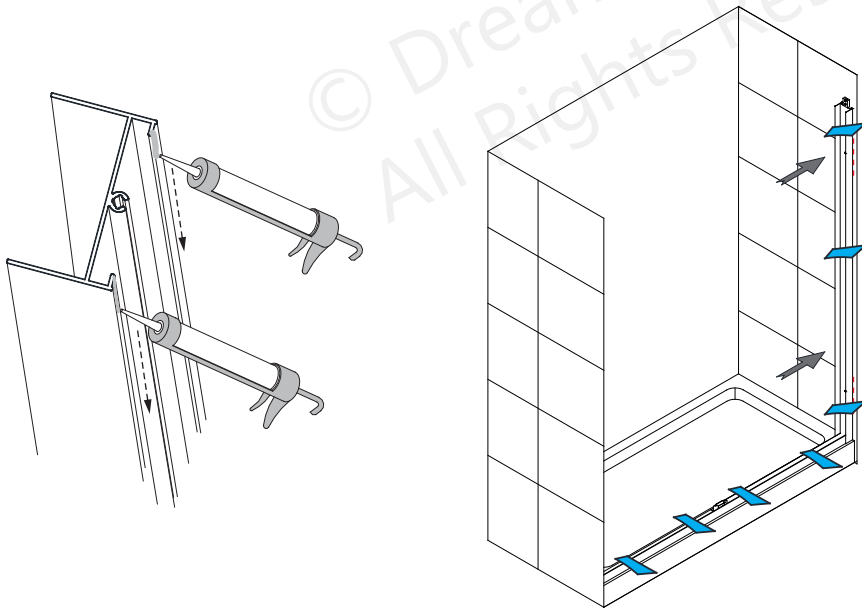


Fig 9



10. Install the **Upper Guide Rail (#02)** onto the installed **Wall Profiles (#01)**.

Make sure that it sits firmly onto the **Upper Guide Rail Connectors (#07)** and is level across the opening. **(Fig 10)**

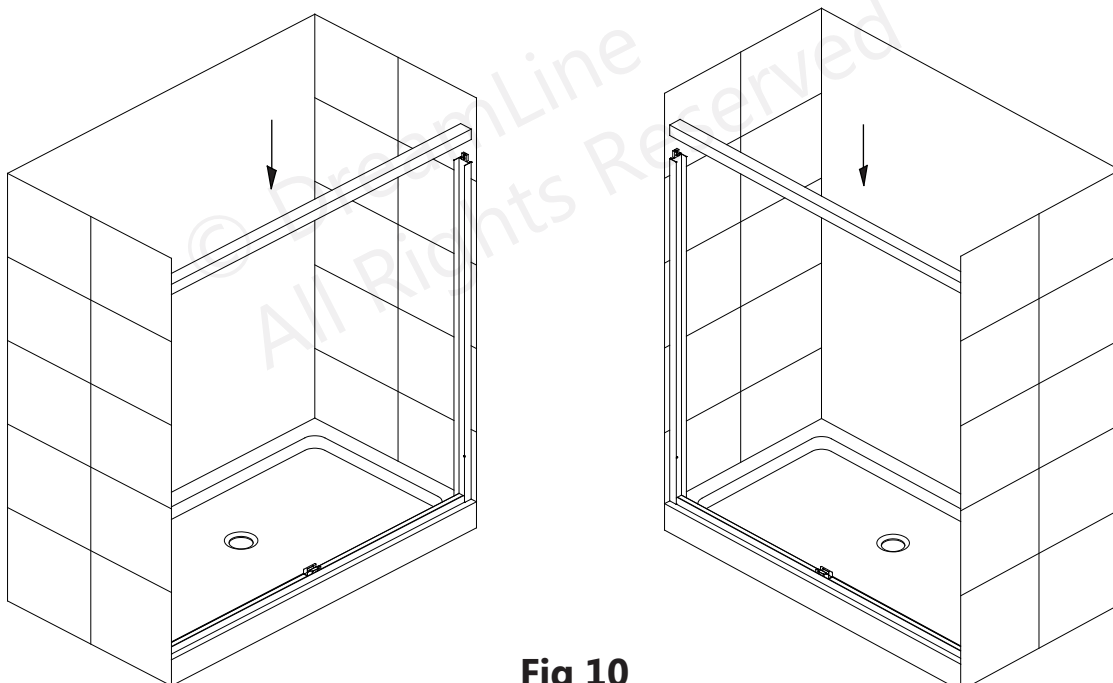


Fig 10



NOTE:

Do Not attach the **Towel Bars (#08)** to the **Door Glass (#03)** until instructed.

Do Not attempt to lift the glass with the towel bars. This may cause damage to the glass and/or serious personal injury. Use an assistant and/or a professional grade glass suction cup to handle the glass.

11. Install the **Roller Assemblies (#06)** onto the tops of both doors. Be sure to position the rollers facing in the correct direction for each door - both wheels facing 'out' for the outside door glass, and both wheels facing 'in' for the inside door glass. Bring both lites of **Door Glass (#03)** into the shower area for hanging: First the "inside" door, then the "outside" door. Use padding to protect the glass and shower area. **(Fig 11)**

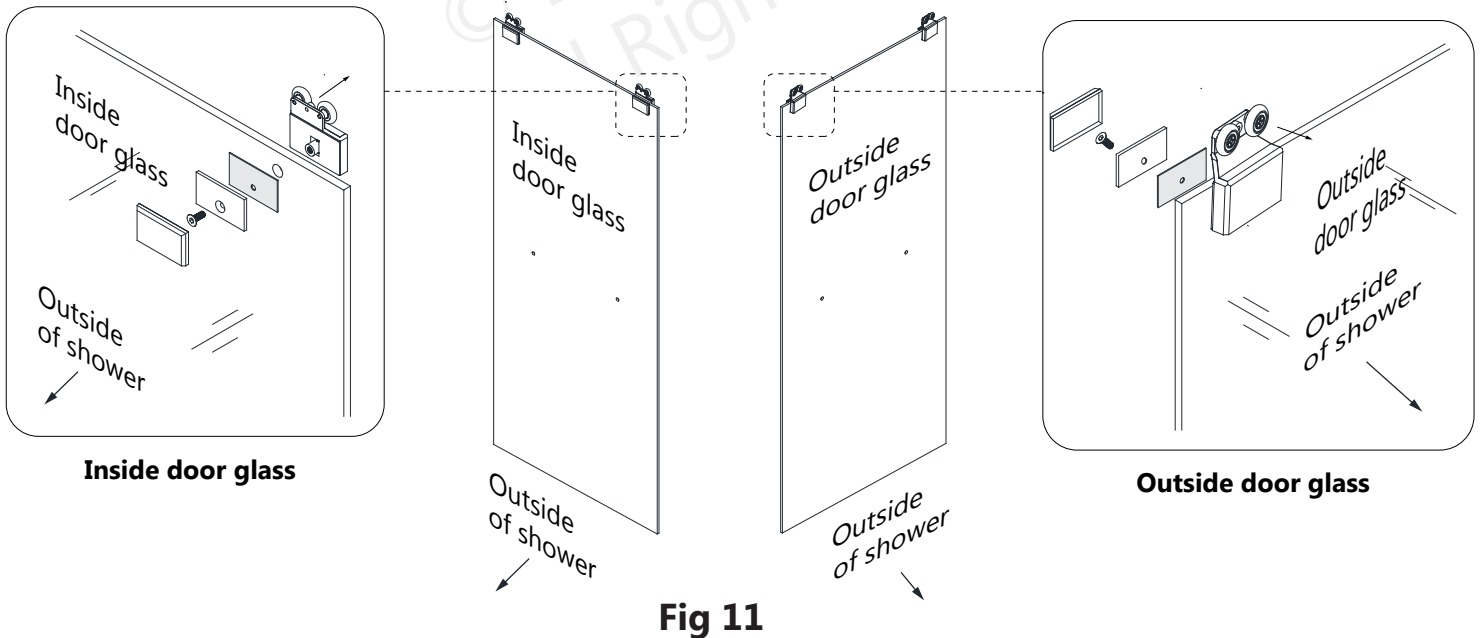


Fig 11

12. Have an assistant carefully lift one end of the **Upper Guide Rail (#02)** no more than 1", just to the top of the **Upper Guide Rail Connector (#07)**. Use a 1" wood block or shim to hold the guide rail in this position until after both doors are installed. **(Fig 12a and 12b)**

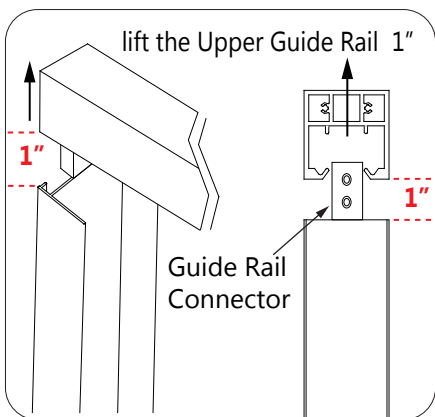


Fig 12a



Use a 1" thick wood block or shim to hold the guide rail no more than 1" above the wall profile to allow enough space to install the doors. Do not lift the header off of the guide rail connector.

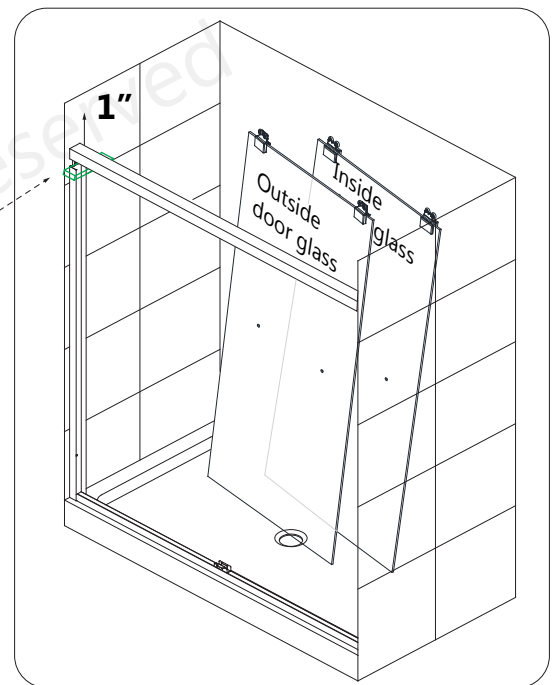
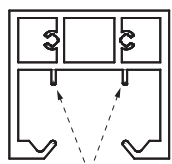


Fig 12b

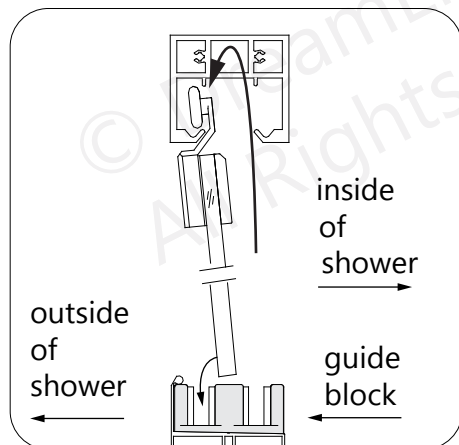
13. Use an assistant to support the **Upper Guide Rail (#02)**. Line the rollers up with the notches in the anti-jump fins inside the guide rail and lift and insert the outer door glass up into the **Upper Guide Rail (#02)** so the **Roller Assemblies (#06)** fit onto the groove inside the rail. Carefully lower the **Upper Guide Rail (#02)** so the door glass slides into the outer slot in the **Guide Block (#05)**. (Fig 13)



To insert the rollers into the guide rail, line them up with the notches and set the rollers onto the track



anti-jump fins



Outside door

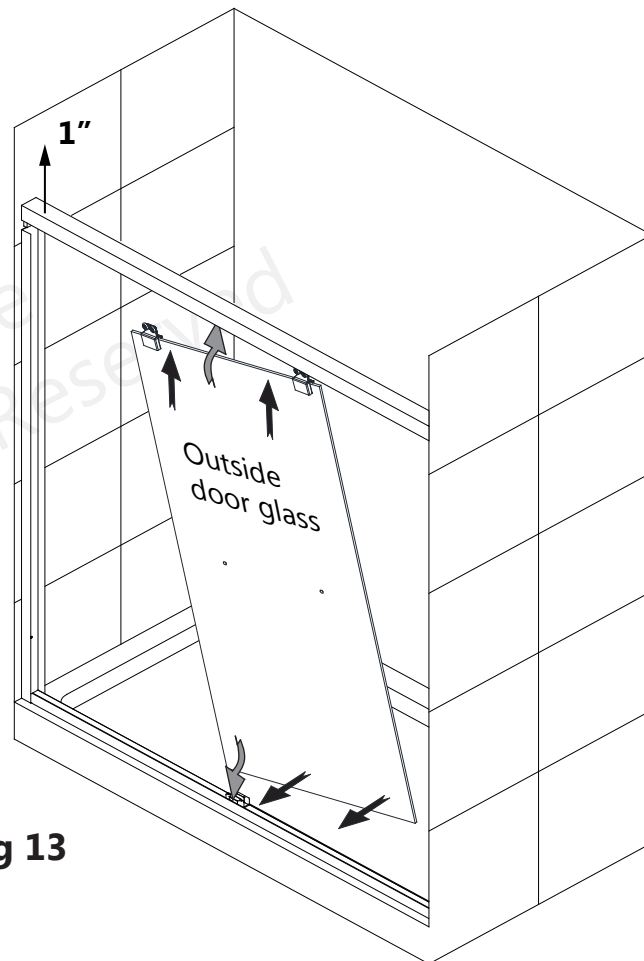
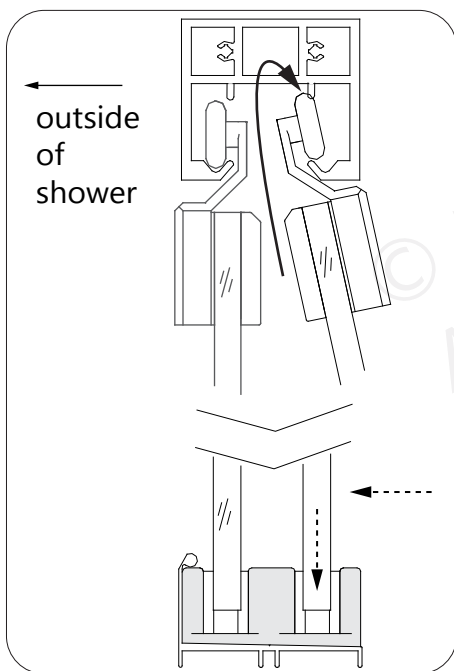


Fig 13

14. Next, install the inner door glass in the same manner. Move the installed "outside" door aside, lift the **Upper Guide Rail (#02)**, and install the inner door glass into the **Upper Guide Rail (#02)** and into the **Guide Block (#05)**. (Fig 14)



Inside door



Line the rollers up with the notches in the anti-jump fin and set the rollers into the upper guide rail

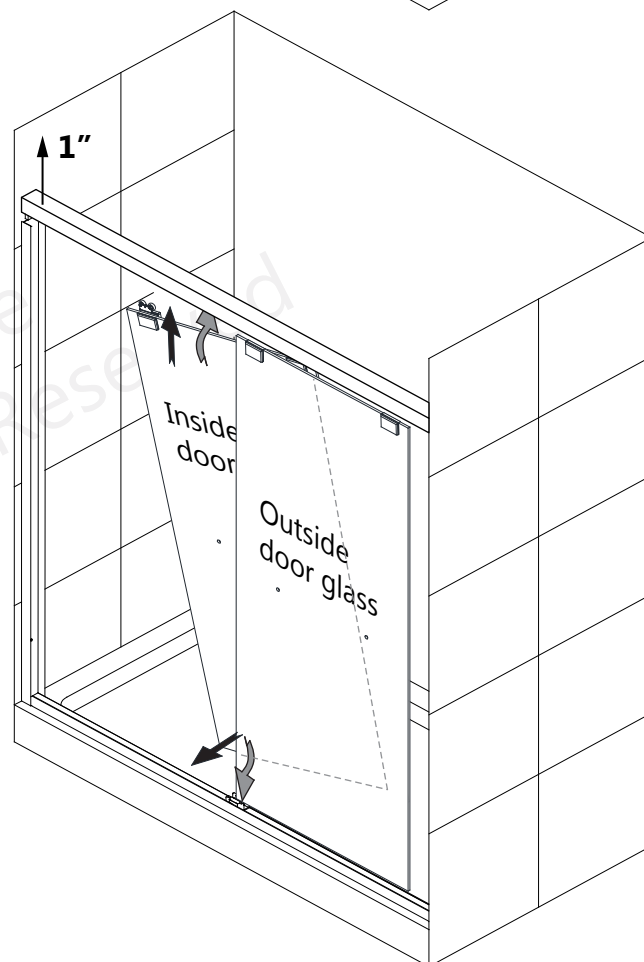


Fig 14

15. To compensate for minor out-of-plumb conditions (up to 3/8"): After both doors are installed, use the **Allen Wrench (#14)** to make minor adjustments with the Adjustment bolts on the **Roller Assemblies (#06)**. Remove the cover plate, then loosen the mounting bolt on the roller. Rotate the adjustment bolt on the bottom of the wheel assembly to tilt the door glass to the desired position. Re-tighten the mounting bolt and replace the cover plate. **(Fig 15)**

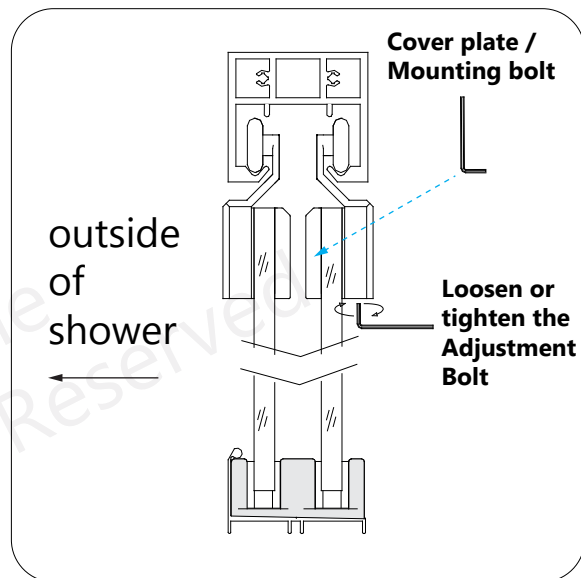
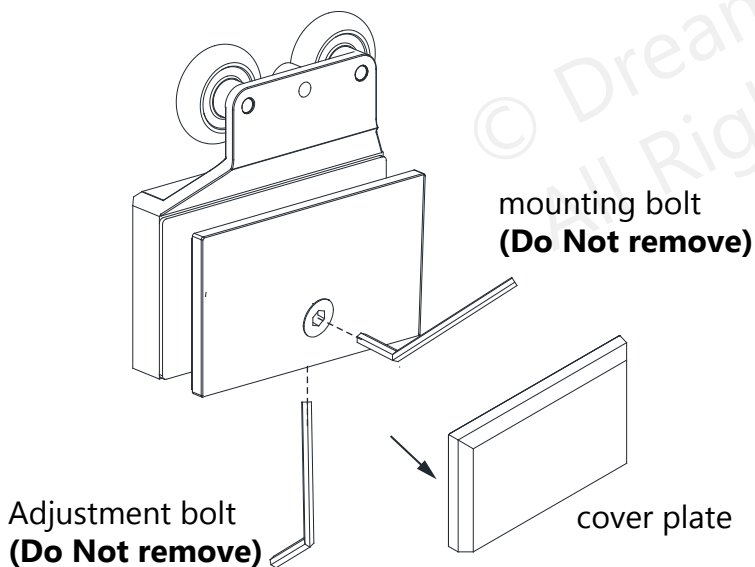
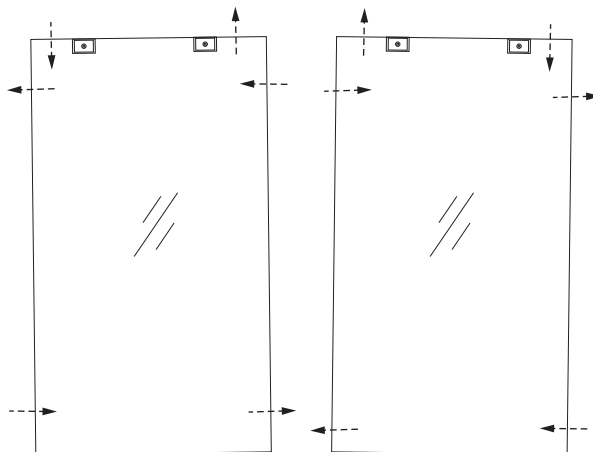


Fig 15



Use the adjustment bolt on the roller assemblies to adjust the door glass so that it closes evenly into the wall profiles

To adjust the Door Glass with the rollers:

- Remove the cover plate
 - Loosen the roller attachment bolt
 - Rotate the adjustment bolt:
CCW to raise or CW to lower -
- DO NOT remove the bolts or fully disassemble the rollers.**



Do Not allow the door glass to make contact with the bottom guide rail.

16. Install both the inside and outside **Towel Bars (#08)** using all of the provided gaskets as shown. Cover the exposed bolts with the decorative caps. **(Fig 16)**

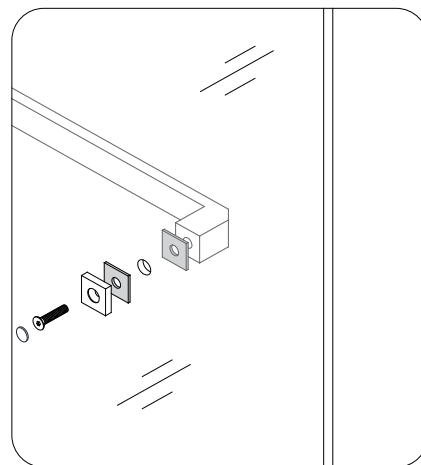


Fig 16

17. Apply good quality mildew-resistant silicone to the entire interior perimeter where the wall profiles meet the wall and along the bottom guide rail and threshold. **(Fig 17)**



Allow 24 hours for the silicone to cure before using the shower.

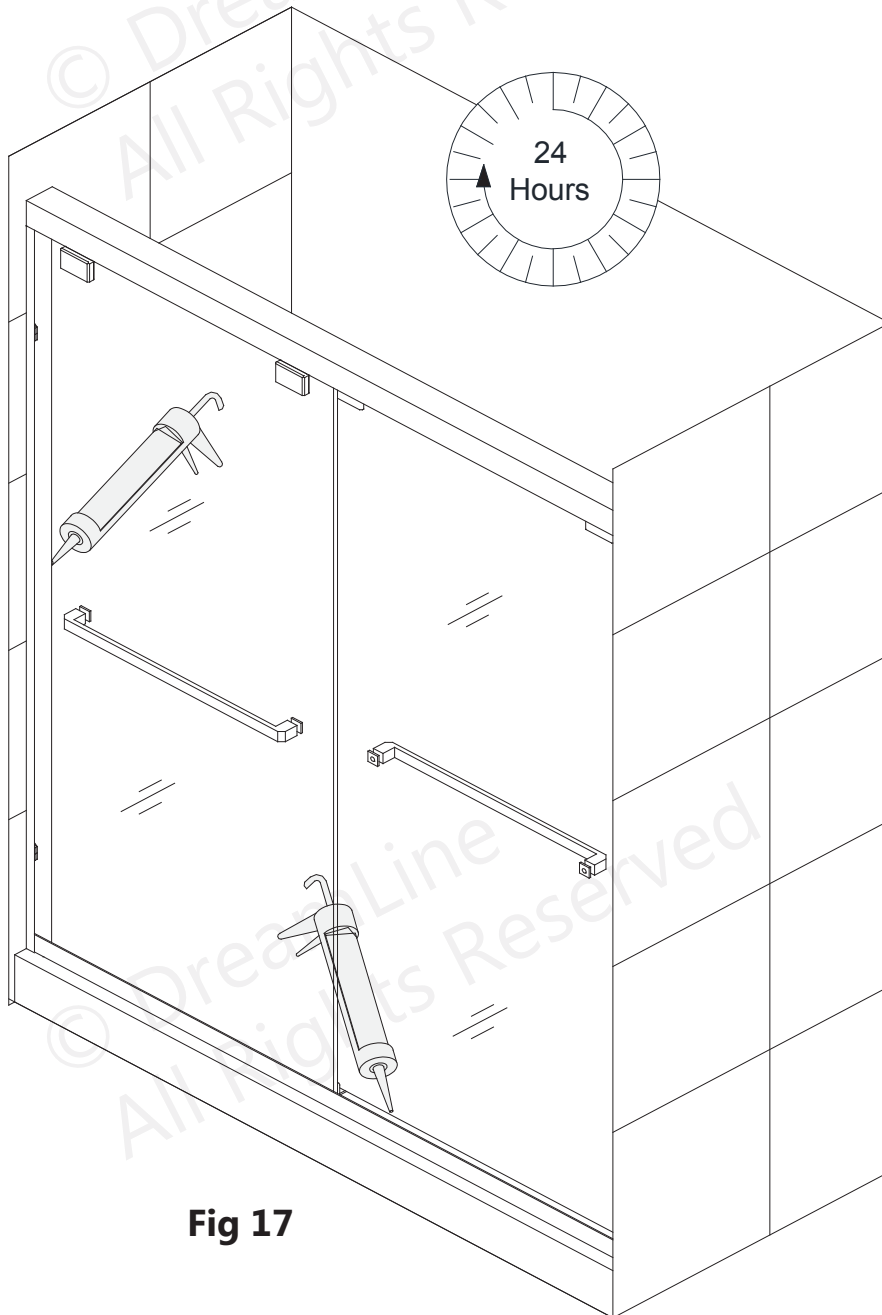


Fig 17

Product Maintenance

BASES and BACKWALLS: To ensure longlasting life for your acrylic back walls: wipe them off after each use with a soft cloth. To clean the acrylic back walls use non-abrasive sprays or cream based cleaners. Avoid the use of aerosol spray cleaners. Never use abrasive cleansers, metal brushes or scrapers that could scratch or dull the surface.

GLASS: To ensure long lasting life for your glass shower products: wipe them off after each use with a soft cloth. Rinse and wipe off the glass using either a soft cloth or a squeegee to prevent soap buildup and water spots (Hard water can etch the surface of the glass over time if left to dry). To prevent scratching the surface: never use abrasive cleaners or cleaning products that contain scouring agents. Never use bristle brushes or abrasive sponges that may scratch the surface.

HARDWARE: To ensure a long lasting finish: wipe off the metal parts after each use with a soft cloth. Do not use abrasive cleaners or cleaning products containing ammonia, bleach or acid. If accidentally used, rinse the surface as soon as possible to prevent damage to the finish (peeling or corrosion). After cleaning the polished finishes, rinse thoroughly and wipe dry with a soft cloth. Clean stainless steel surfaces at least once a week. When applying stainless steel cleaner or polish to stainless steel hardware, work with (not across) the grain. Never use an abrasive sponge or cloth, steel wool or wired brush as these may permanently scratch the surfaces.

NOTE: To maximize the life of your door, it is important to regularly inspect the glass and other hardware for misalignment, proper attachment, and/or damage. Contact DreamLine with any questions or concerns.

© DreamLine
All Rights Reserved



TEL: 866-731-2244
FAX: 866-857-3638
DREAMLINE.COM

For more information on DreamLine[®] Shower Doors and Enclosures please visit **DreamLine.com**