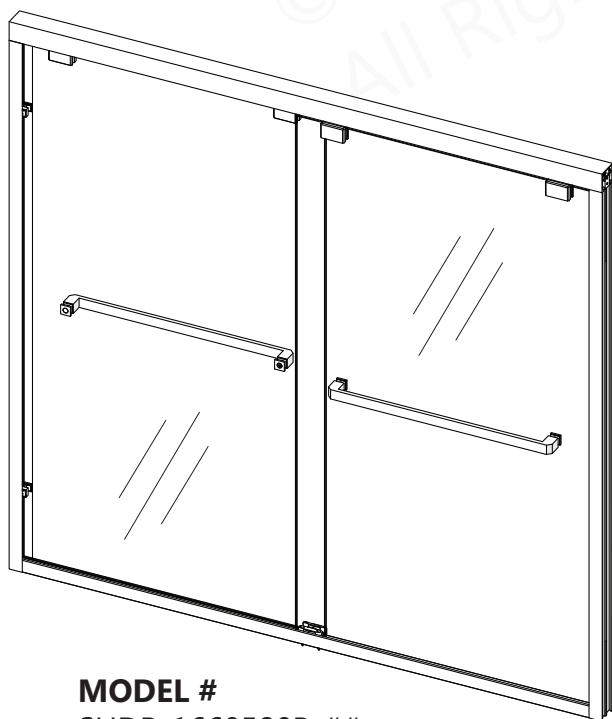


ENCORE

SHOWER AND TUB DOOR INSTALLATION INSTRUCTIONS

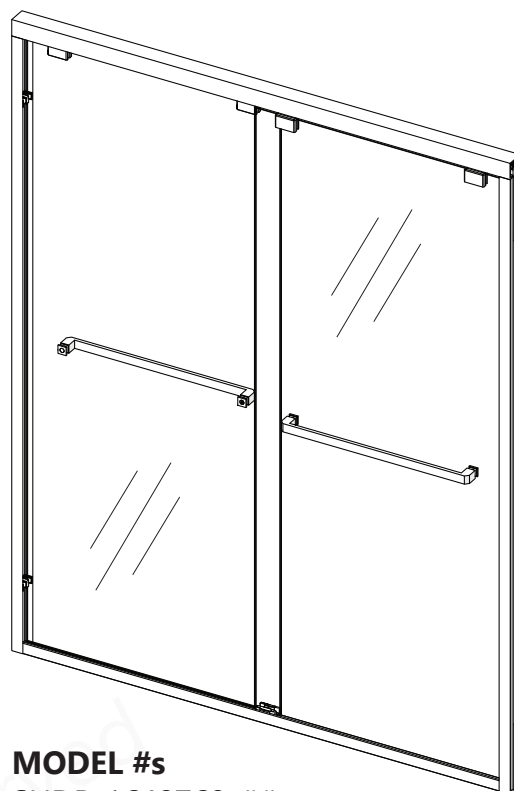
PLEASE REVIEW THIS ENTIRE MANUAL PRIOR TO INSTALLATION



MODEL #
SHDR-1660580P-##

##=finish

- 01 - Chrome
- 04 - Brushed Nickel
- 06 - Oil Rubbed Bronze
- 09 - Satin Black
- G - Gray Glass



MODEL #s
SHDR-1648760-##
SHDR-1654760-##
SHDR-1660760-##

IMPORTANT!

DreamLine[®] reserves the right to alter, modify or redesign products at any time without prior notice for the purpose of product improvement and customer experience. Please refer to the model's web page on **DreamLine.com** for the latest technical drawings, installation manuals, warranty information or additional product details.

Do Not Return Product to the Store. Contact DreamLine[®] with any questions



Questions?

Please Call **DreamLine** Customer Support: **1-866-731-2244**
Hours of Operation M-F 8AM - 6PM EST

Support@DreamLine.com





This model is treated with DreamLine’s exclusive ClearMax™ Glass technology. This is a specially formulated coating that prevents the build up of soap and water spots.

Install the surface with the ClearMax™ label towards the inside of the shower. Please note that depending on the model, the glass may be coated on either one or both surfaces.

For best results, squeegee the glass after each use and dry with a soft cloth.

Record the following purchase information for your records or in the event you need to contact DreamLine®:

Purchase Order Number _____

Store/Vendor Purchased From _____

Installation Date _____

OD Number (optional) _____
*found on the shipping box or label if available.


Installed By: _____

SKU Number _____


Table of Contents

Section Title	Page #
ClearMax® Coating Information	—
Warnings and General Preparations	2
Model Specific Preparations	3
Tools	4
Detailed Diagram of Shower Door Components	5
Parts List	6-7
Installation Steps	8-21
Towel Bar Installation	20
Product Maintenance	22
Troubleshooting	23
Roller Assembly Adjustment Procedure	24
Factory Parts Information	25-28


Symbol Legend




TIP - for ease of installation.



CORRECT - recommended.



NOTE - take note of special feature; additional information.

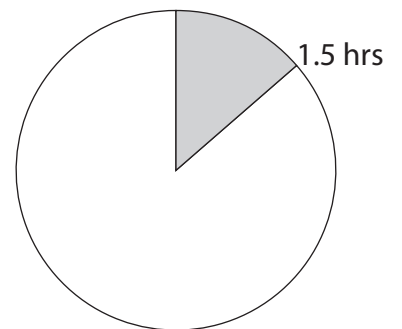


INCORRECT - not recommended.



REQUIRED - requires special attention; signifies a warning.

Average Installation Time





IMPORTANT

- DreamLine® reserves the right to alter, modify or redesign products any time without prior notice for product improvement and customer experience. Please refer to the model's web page on DreamLine.com for the latest technical drawings, installation manuals, warranty information or additional product details.
- This product should be installed by someone familiar with the construction requirements for this type of project and the care necessary for the safe installation and operation of the product.
- The safety of any installation is the responsibility of the installer.
- Professional installation recommended. (*All Models*)
- Professional installation required. (*Enigma Series*)
- To prevent damage or serious injury, Do Not lean against the installed panel/door/glass.
- To prevent damage or serious injury: Do Not attempt to lift or move a heavy lite of glass alone. Use an assistant and/or a professional grade glass suction cup.
- The installation of some models may require drilling down into the threshold. Contact the manufacturer of the base, tub, or threshold material with any questions regarding the drilling of holes into their product.
- All drawings in this installation manual are for illustrative purposes only and are not drawn to scale.

GENERAL PREPARATION

- After opening all boxes and packages, read this introduction carefully. Check that all the items are included in the package by marking off the components on the “**Detailed Diagram of Product Components**” page. Examine all boxes and packages for shipping damage. If the unit has been damaged, has a finishing defect, or is missing parts; please contact our Customer Support department within 3 business days of the delivery date. **Please note that DreamLine® will not replace any damaged products or missing parts free of charge after 3 business days or if the product has been installed.** Please contact DreamLine® if you have any questions.
- **Please note that you should refer to your local building codes with questions on installation compliance standards. Building and plumbing codes may vary by location, and DreamLine® is not responsible for code compliance standards for your project and will not accept any returns.**
- If this unit is going to be installed in a new construction, install all the required plumbing and drainage before installing the shower. **Use a competent and licensed (if required by local code) plumber for all plumbing installation.**
- Make sure that prior to beginning the installation, the surfaces are leveled and solid and will be able to support the total weight of the unit. Also make sure the walls are at right angles. Irregular installation surface level, radius corners or improper angle of side walls will result in serious problems for your installation. Please note that some adjustments and drilling will be necessary during the installation process.
- Protect all primary surfaces of the product during installation. Never set your glass down directly onto a tile floor. Leave corner protectors in place until it is necessary to remove them. Always use a piece of wood or cardboard to protect the bottom edge and corners of the glass prior to and during installation.
- This unit must be installed upon a finished threshold and against finished walls.
- *DreamLine® shower doors are not designed to be installed into a fiberglass surround due to the radius corners and lack of a solid surface to mount the hardware.*

TEMPERED GLASS WARNING

- Your Shower Door Glass Could Shatter Without Warning if Improperly Installed or Mishandled
- Do Not install or operate a shower door if the glass has chipped corners, slivered edges or is otherwise damaged and/or has been dropped or banged into a hard surface such as tile, marble or glass.
- **The main causes of tempered glass breakage are:**
 - Improper handling, storage or installation
 - Misuse/abuse
 - Lack of maintenance
 - Failure to replace damaged glass
 - **Improper handling during storage, unpacking and installation:**
 - Corners and edges are the most susceptible area to damage on a lite of tempered glass and should be protected and handled with care during storage, unpacking, installation and operation. A concentrated point of pressure or impact with a surface harder than itself may cause the tempered glass to shatter. The tempered glass may release immediately, within several hours or even days later.
 - **Incorrect installation of door hardware, rollers, hinges, channels, stopper or glass:**
 - Improper installation may include: loose hardware and/or lack of proper gaskets between the hardware and glass. Additionally, improper alignment of guide rails, wall profiles or other hardware during installation or operation may place stress on the glass edges and cause it to break.
 - This product must be installed by a professional and experienced installer familiar with the safe handling of tempered glass.
 - **Improper use of this product:**
 - Aggressively opening or closing the door may cause trauma to the glass, which can lead to breakage. This may occur immediately or hours or even days later.
 - **The shower door hardware and glass should be inspected periodically:**
 - Instruct the homeowner how to perform a periodic inspection of the shower hardware and glass - some minor adjustments may be necessary based upon the use (or misuse) of the shower door. Ensure that the hardware remains tight and that the door alignment and operation are correct. Any adjustments should be made upon discovery to prevent damage to the product.
 - Additional considerations should be given to the installation of frameless tempered glass products in households with young children or an elderly person due to an increased chance of improper handling. In such cases, alternatives such as shower curtains or grab bars should be considered.

WARNING: TO AVOID THE RISK OF DAMAGE OR INJURY:

- **Follow all recommendations and requirements as shown in the installation instructions.**
- Perform a thorough inspection of the glass and all parts for any damage prior to installation. Any damage to tempered glass can cause breakage. **Do Not install damaged glass!**
- Do Not install or operate a shower or tub door if the glass has chipped corners, slivered edges or is otherwise damaged. Do Not install or operate a shower or tub door that has been dropped or banged into a hard surface such as tile, marble or glass.
- **CAUTION:** Contact with any hard surface can damage tempered glass and cause it to shatter.
- This product uses tempered glass. Glass cannot be cut after it has been tempered. **Do Not attempt to cut tempered glass.**
- DreamLine® Glass Shower doors, Tub doors, Inline panels, and Return panels can shatter due to improper handling or lack of maintenance. Conduct periodic inspections of glass and all parts for possible damage, missing or loose parts.
- Always wear proper safety equipment such as: safety goggles, work gloves and appropriate footwear during the installation process.
- **WARNING. Risk of leakage and/or damage.** Follow all instructions regarding the application of silicone sealant or caulk. Allow 24 hours for the sealant to cure before the initial use of the shower or tub product. Follow the silicone manufacturer's recommendations regarding the use of their product.
- **Thoroughly read these instructions before installing or using this product.**
- **Leave this manual for the end-user of the product.**



This product should be installed by someone familiar with the construction requirements for this type of product and the care necessary for the safe installation and operation of the product.



Professional Installation recommended.

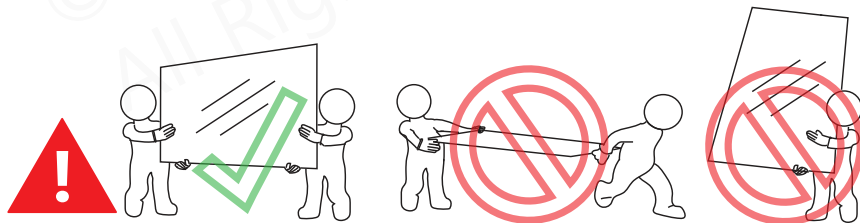
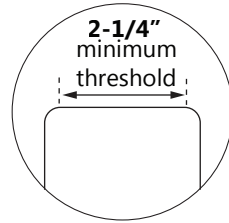
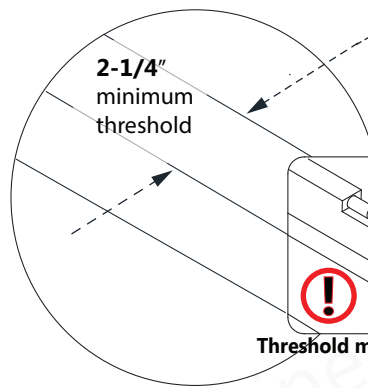
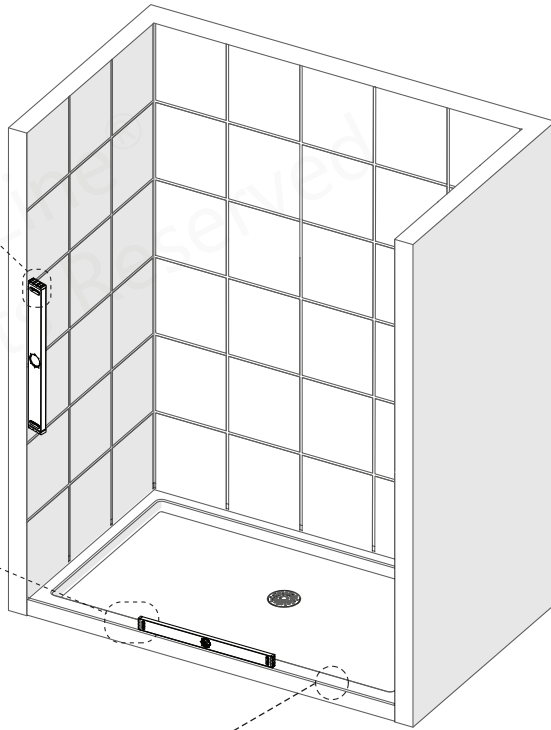
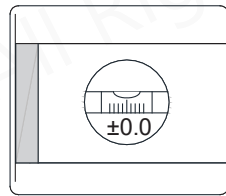
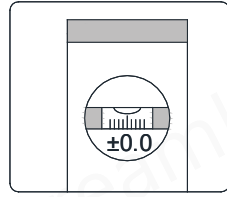
Model Specific Preparation



REQUIRED:

3/8" Out-of-Plumb Adjustment; Verify threshold and walls with a level

Threshold must be level

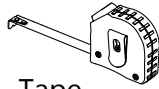


Professional installation recommended. Two installers required.

Tools



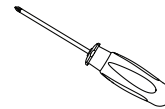
Level



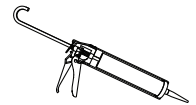
Tape Measure



Pencil



Phillips Screwdriver



Silicone



Power Drill



Drill Bit
Ø1/8"
(3mm)



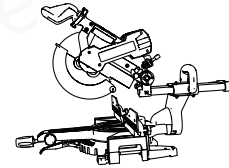
Drill Bit
Ø3/16"
(4mm)



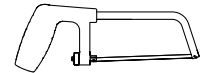
Drill Bit
Ø5/16"
(8mm)



Soft Head Hammer



Mitre Saw



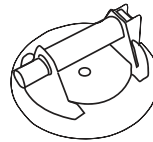
Hacksaw



1" thick wood block



Painter's Tape



Professional-grade Glass suction cup



Safety Glasses



Work Gloves



Measure the finished opening before proceeding with the installation to be sure that the correct model size has been ordered.



Prior to installation, cover the shower/tub drain with tape to prevent losing screws or small parts.



To prevent stripping the screw heads, set screw gun clutch to a low setting when installing screws and bolts.

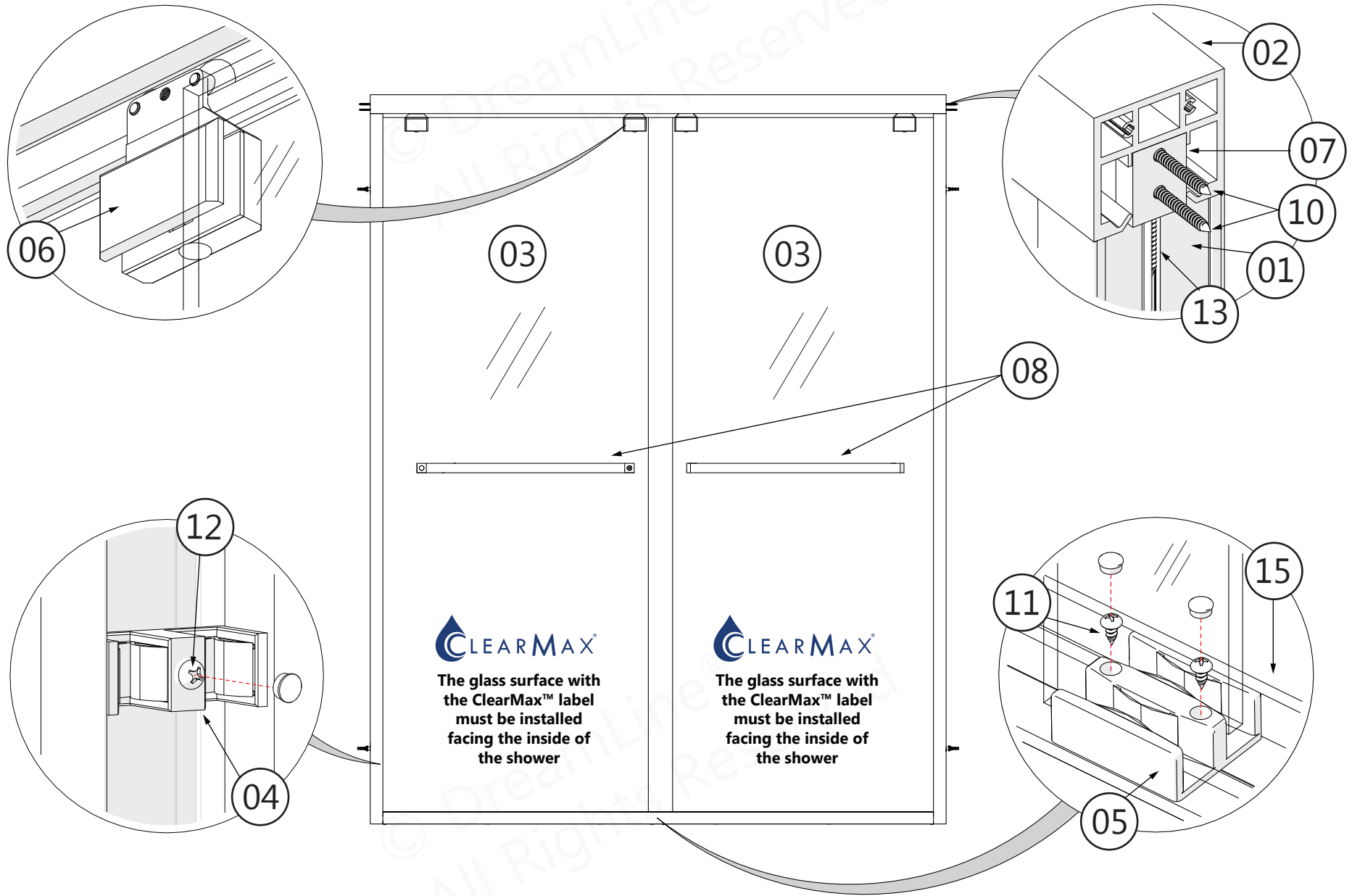


Unpack your unit carefully and inspect it. Lay it out and identify all parts using the **Detailed Diagram** on **page 5** and parts list in this manual as a reference. Before discarding the carton, check for small hardware bags that may have fallen to the bottom of the box. If any parts are damaged or missing, please contact DreamLine® for replacement. The shipping boxes may contain extra parts not used in your model configuration.

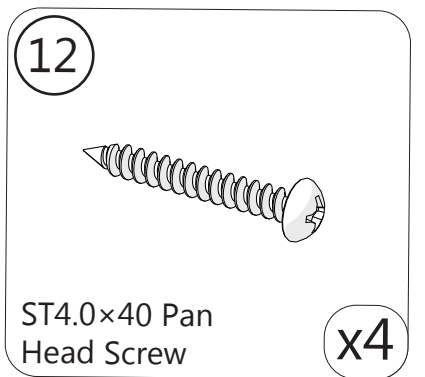
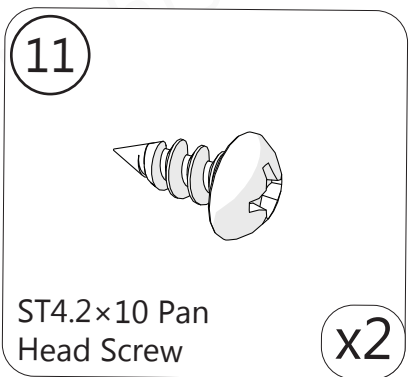
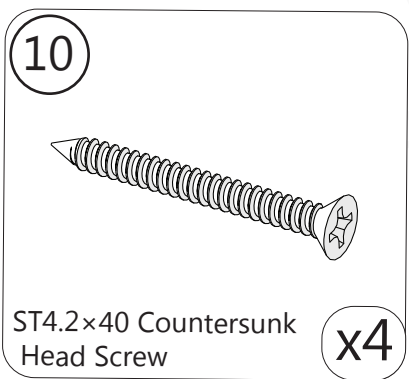
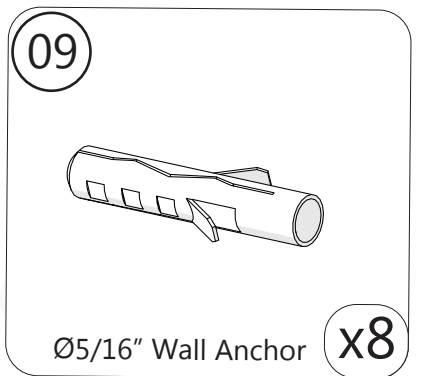
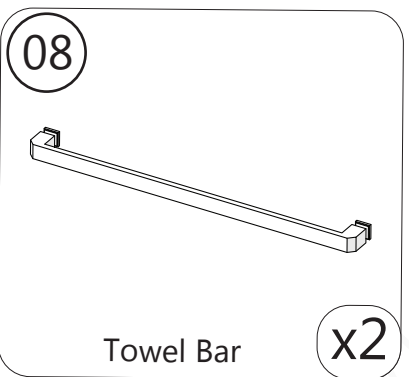
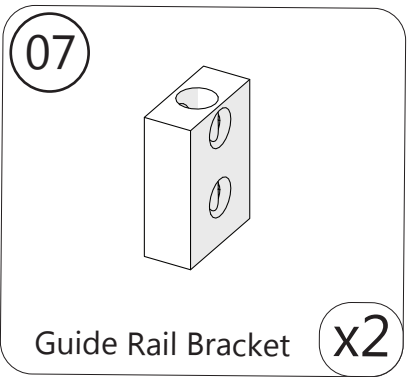
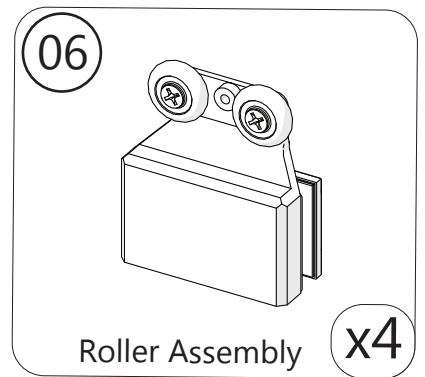
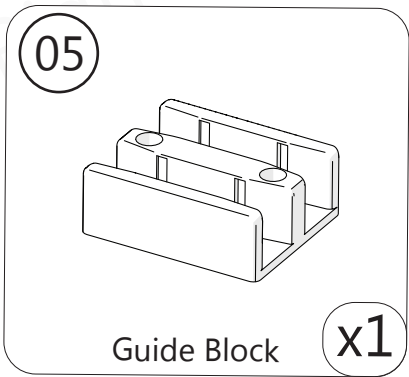
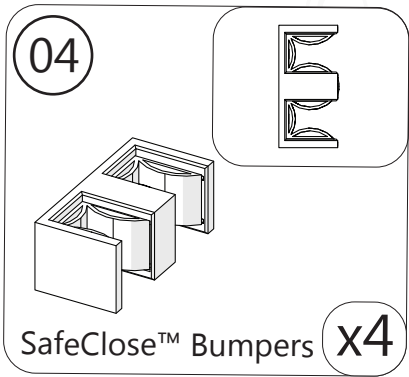
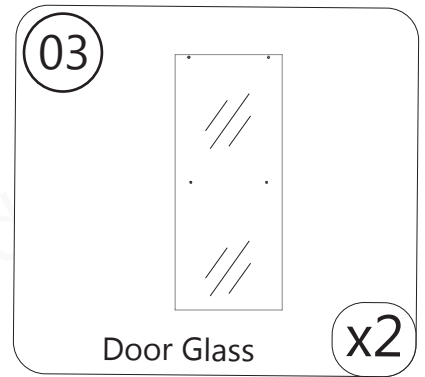
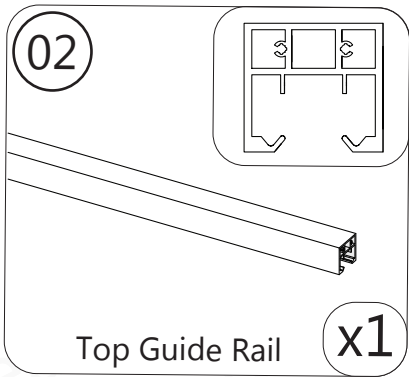
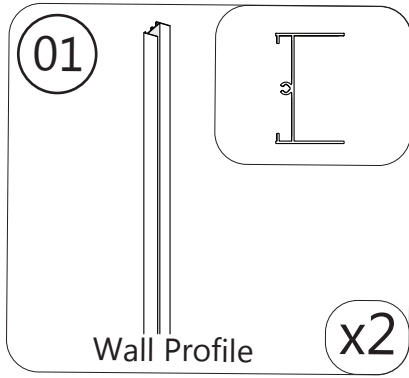


Retain these installation instructions for future reference.

Detailed Diagram of Shower Door Components

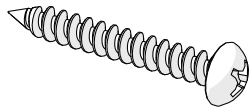


Parts List



Parts List

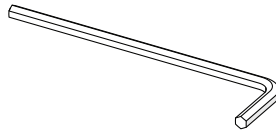
13



ST4.0x30 Pan
Head Screw

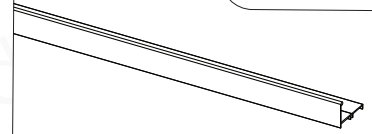
x2

14



Allen Wrench (3mm) x1

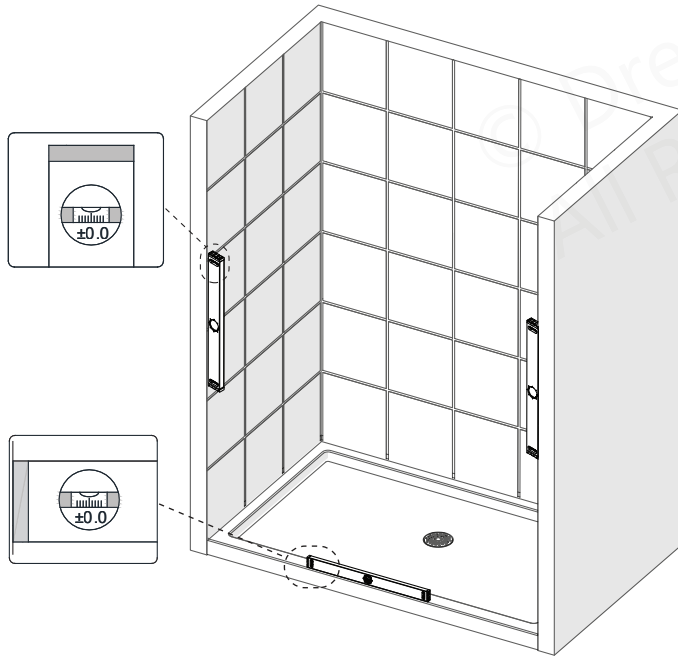
15



Bottom Guide Rail x1

Installation Steps

1



W: Top
*at model height
_____ "

W: Bottom
_____ "

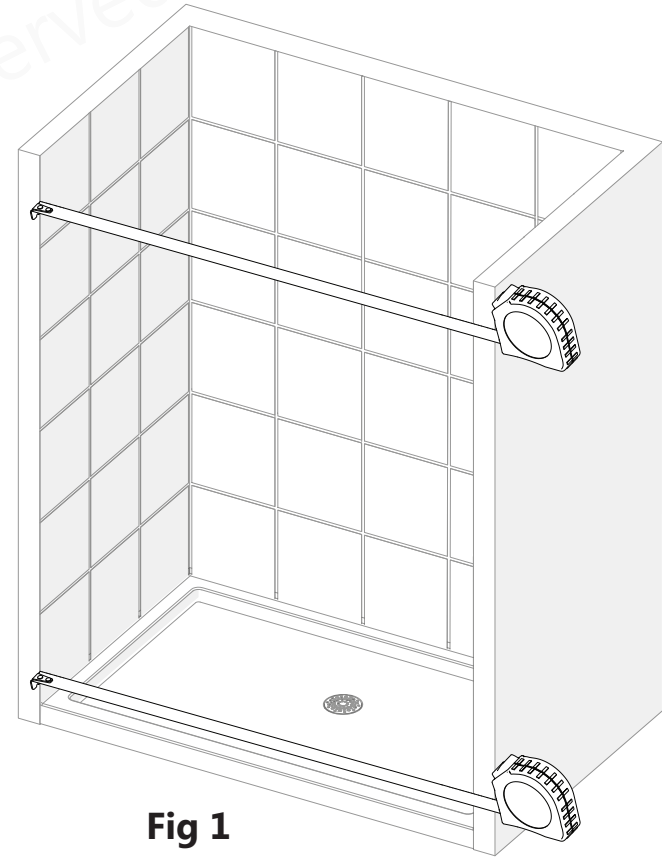


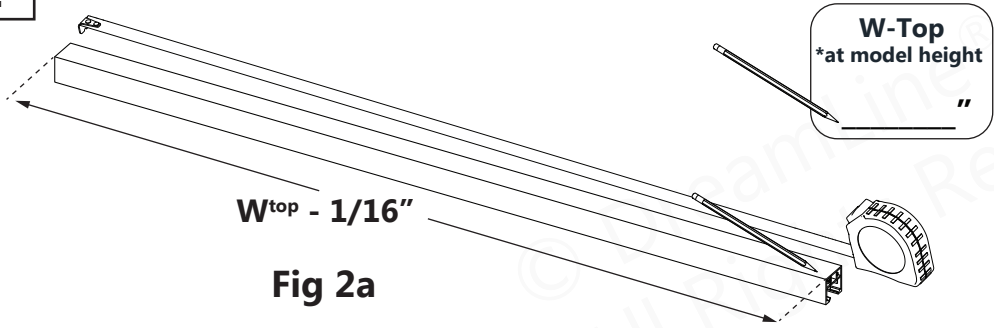
Fig 1

NOTE

***ENCORE Model Height:**
 ENCORE Tub door: 58"
 ENCORE Shower door: 76"

Tools Needed

2



$W^{top} - 1/16''$

Fig 2a

$$(-) 1/16'' = \text{finished cut length}$$

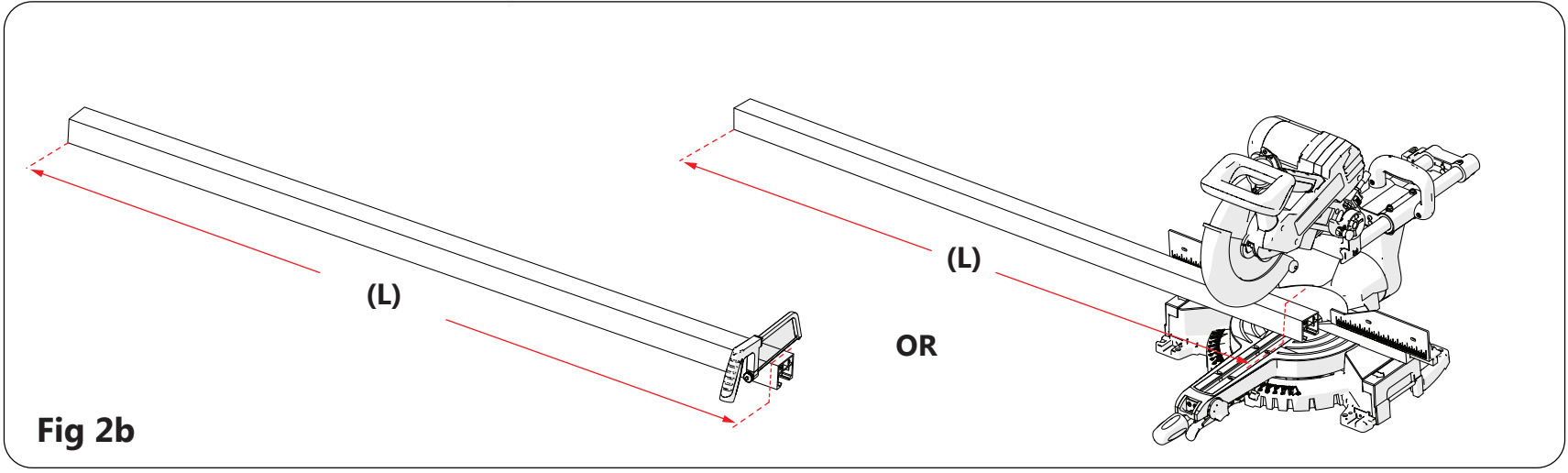


Fig 2b

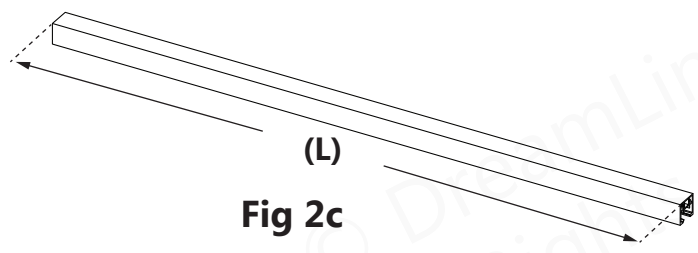
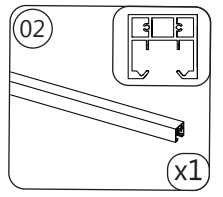


Fig 2c

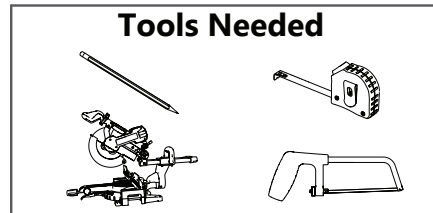


Use a metal file to deburr the cut end

Parts Needed



Tools Needed



NOTE The **Top Guide Rail (#02)** fits wall-to-wall and can be cut from either end.

3

Fig 3a

$W_{bot} - 3/4''$
equally from both ends

W-Bottom _____ "

(-) 3/4'' = _____ "
*cut equally from both ends

(L)
*finished cut length _____ "

!

The **Bottom Guide Rail (#15)** must be cut equally from both ends in order to keep the center guide holes centered.

Fig 3b

(L)

OR

(L)

Fig 3c

(L)

(L) = Finished Cut Length

Guide Block (#05) centered

W^{bot} = Finished Opening Width

TIP

Use a metal file to deburr the cut end

NOTE

The **Bottom Guide Rail (#15)** will be shorter than the top guide rail because it fits between the **Wall Profiles (#01)**; To keep the **Guide Block (#05)** holes centered, it is necessary to cut the **Bottom Guide Rail (#15)** equally from both ends.

Parts Needed

15

x1

Tools Needed

4

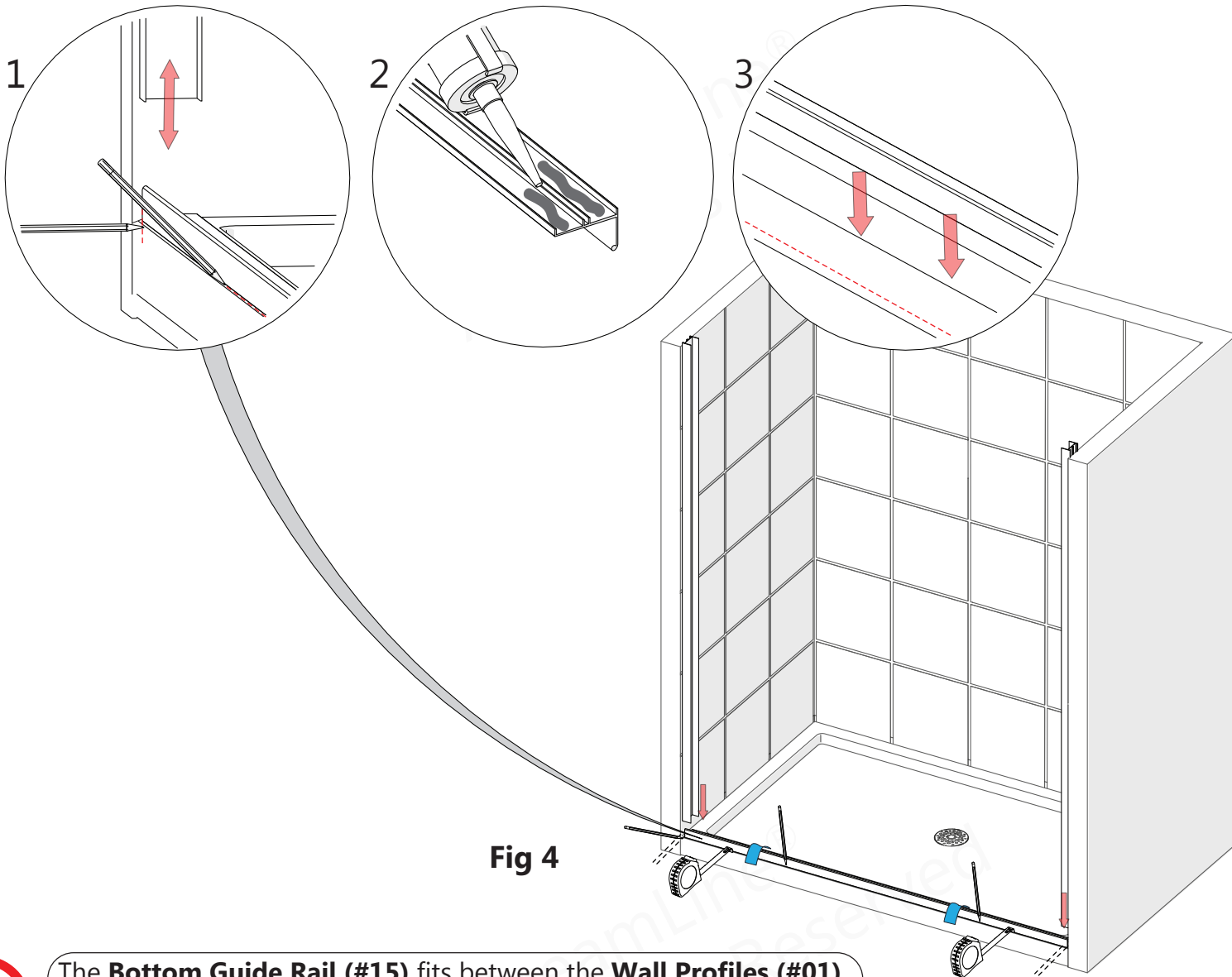


Fig 4

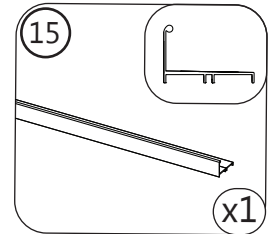


The **Bottom Guide Rail (#15)** fits between the **Wall Profiles (#01)**. Use both, the left and right wall profiles to create the proper spacing for installation of the bottom guide rail.

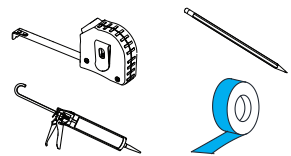


Secure the **Bottom Guide Rail (#15)** to the threshold with several strips of painter's tape to hold it tight in position until the silicone caulk cures.

Parts Needed

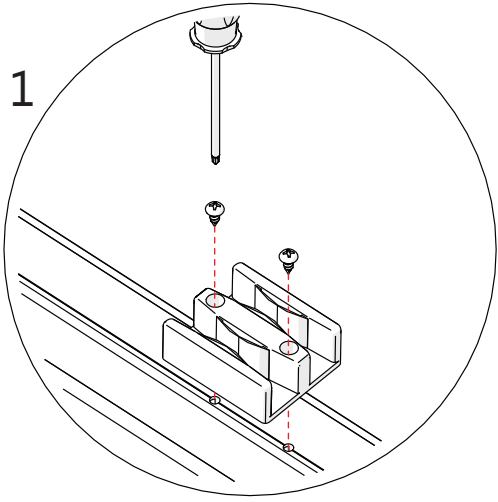


Tools Needed



5

1



2

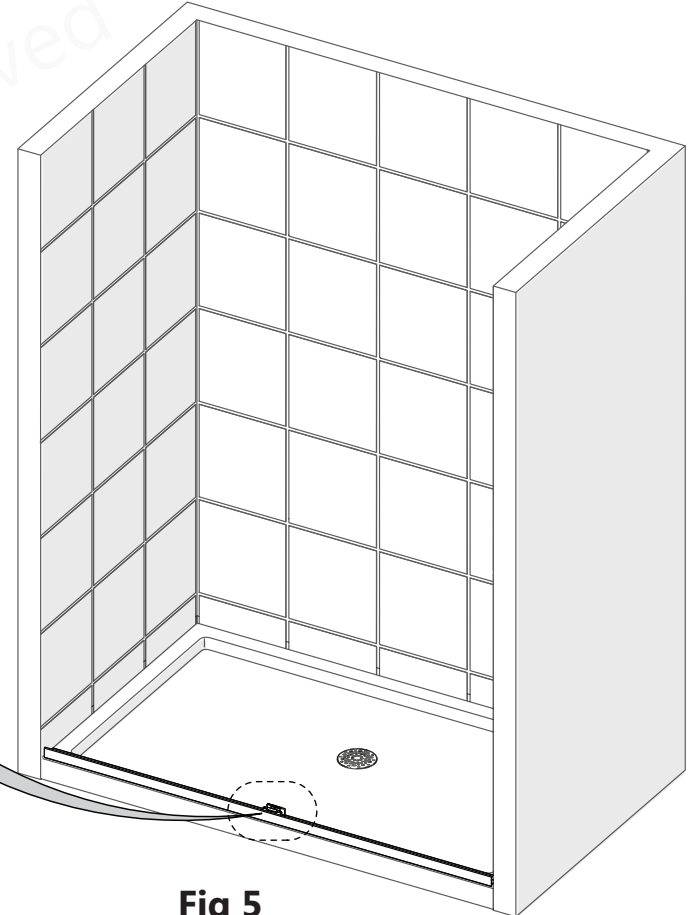
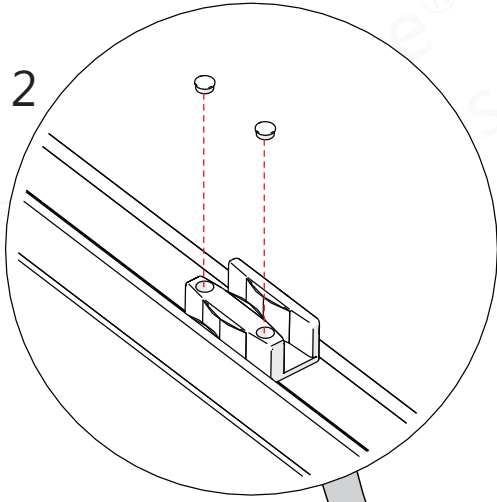
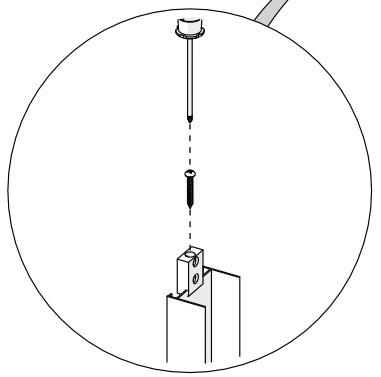


Fig 5

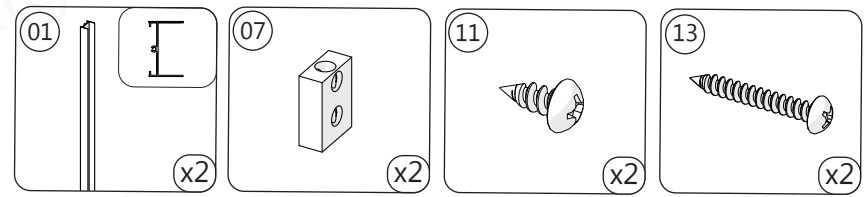


Secure the **Guide Rail Brackets (#07)** to the **Wall Profiles (#01)** using the **ST4.0x30 Pan Head Screws (#13)**. Set aside for later use.

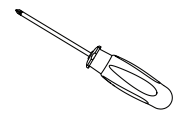
TIP Add a few drops of dish soap to these screws for easier installation.

Fig 5a

Parts Needed



Tools Needed



6

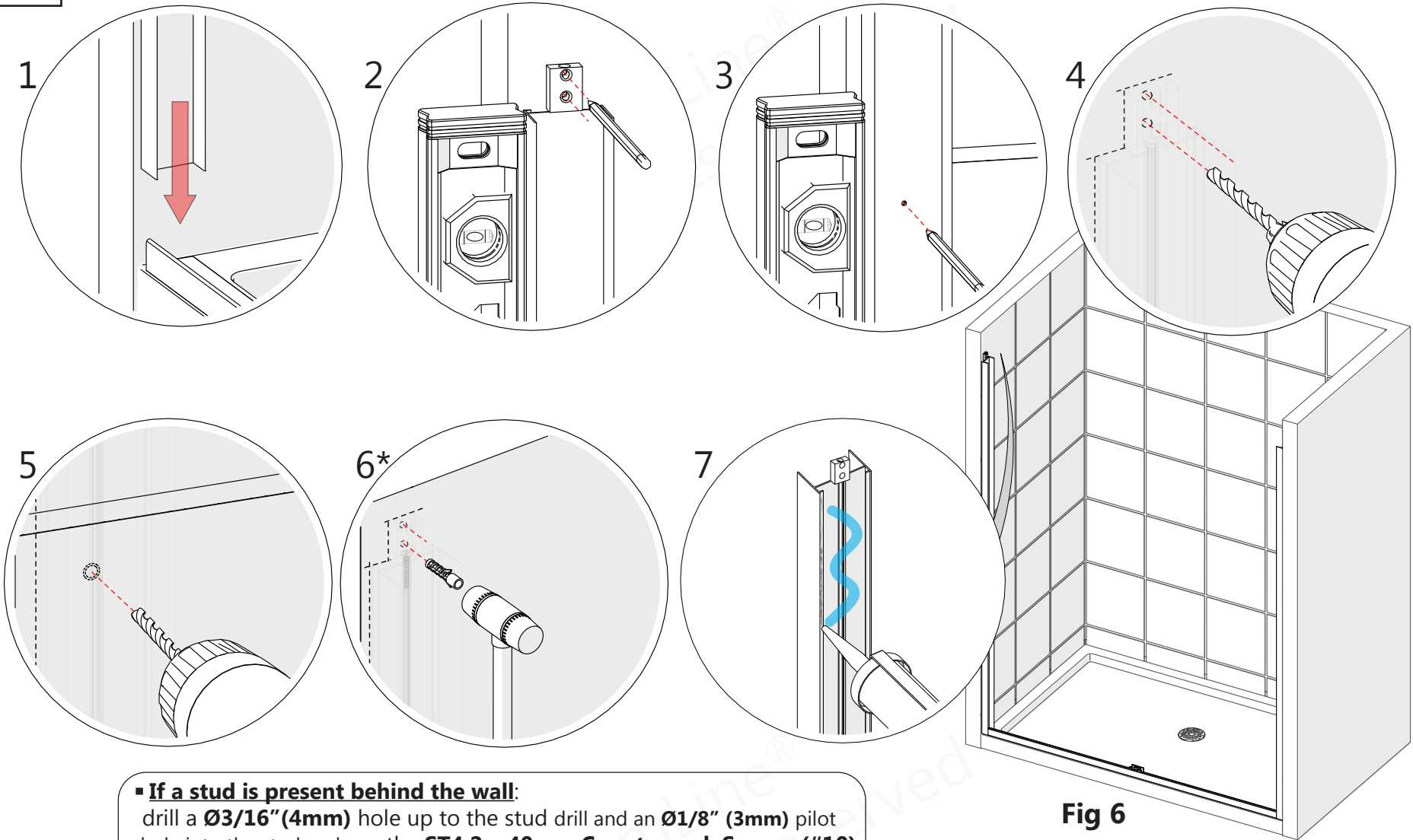


Fig 6



▪ **If a stud is present behind the wall:**
 drill a $\text{Ø}3/16''$ (4mm) hole up to the stud drill and an $\text{Ø}1/8''$ (3mm) pilot hole into the stud and use the **ST4.2 x 40mm Countersunk Screws (#10)** for the **Guide Rail Bracket (#07)** and the **ST4.0 x 40mm Pan Head Screws (#12)** for the **Wall Profile (#01)**.

OR

▪ * **If no stud is present behind the wall:**
 drill a $\text{Ø}5/16''$ (7mm) hole and insert the **Wall Anchors (#09)** and use the **ST4.2 x 40mm Countersunk Screws (#10)** for the **Guide Rail Bracket (#07)** and the **ST4.0 x 40mm Pan Head Screws (#12)** for the **Wall Profile (#01)**.



7

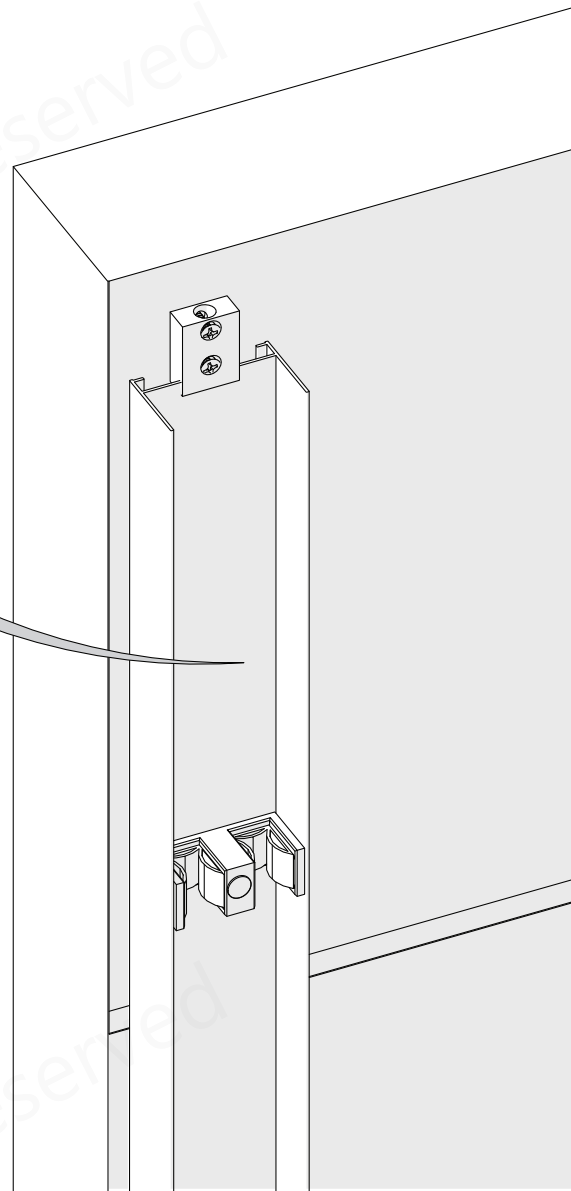
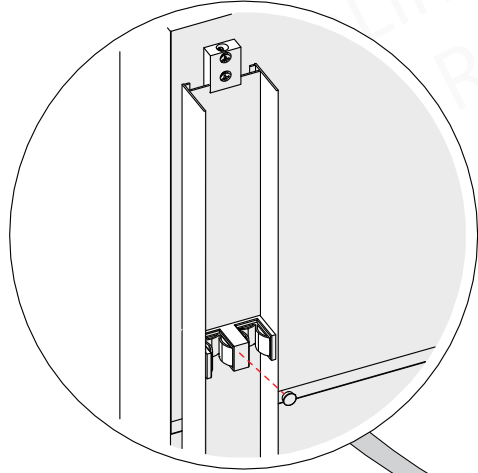
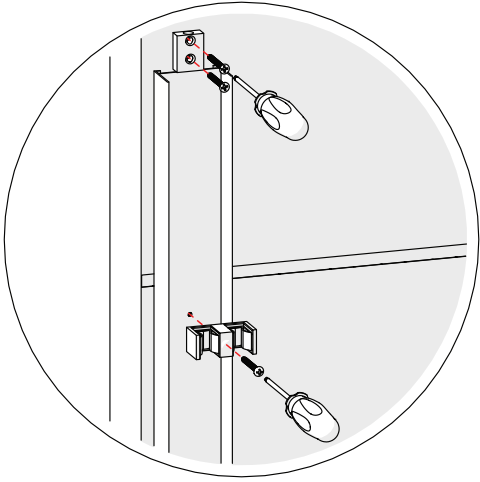
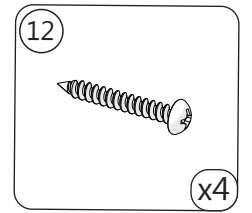
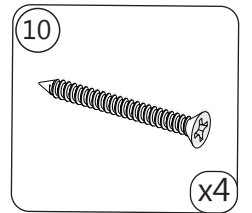
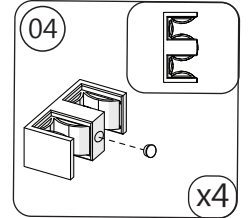
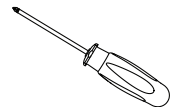


Fig 7

Parts Needed



Tools Needed



Repeat **Steps 5a-7** to install the opposite **Wall Profile (#01)** before proceeding onto the next step.

8

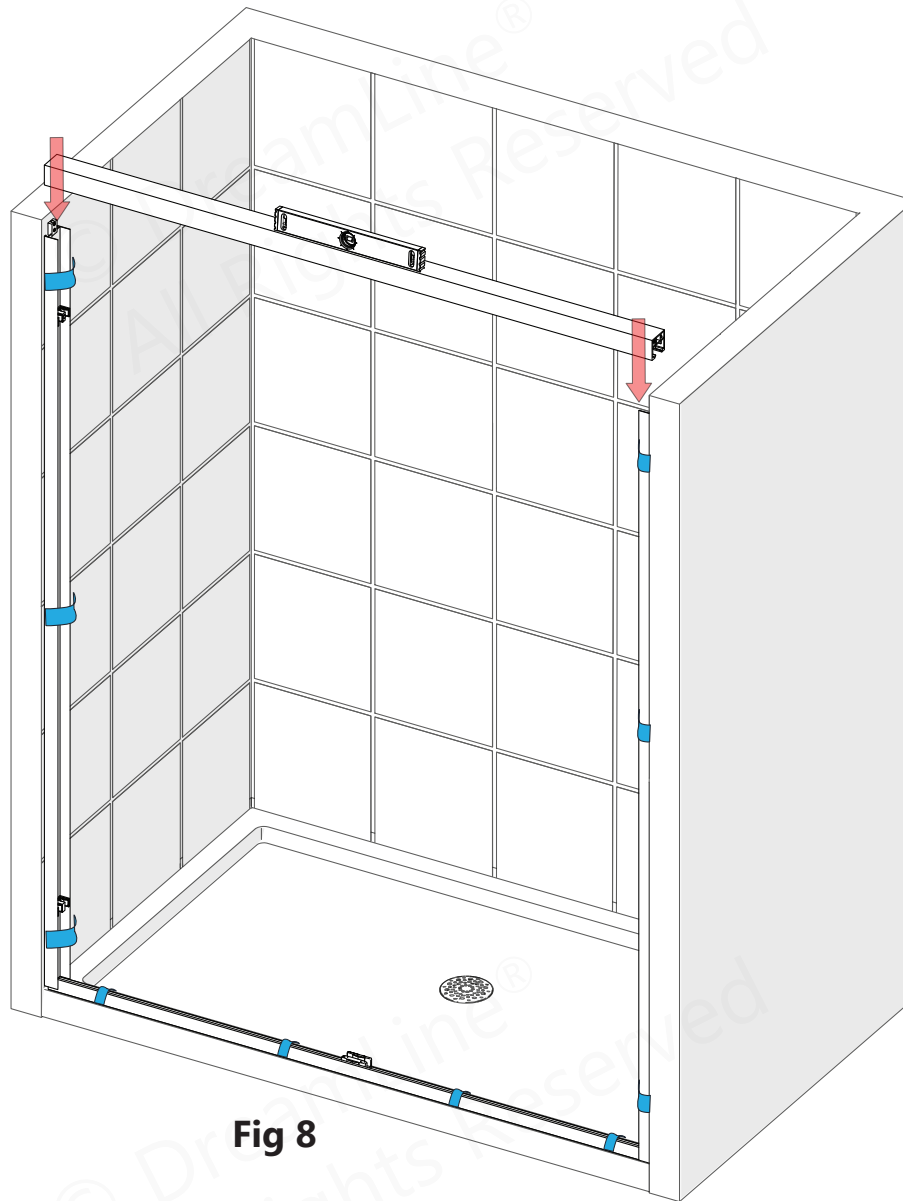
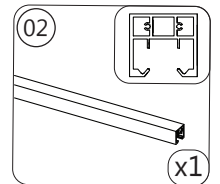


Fig 8



Make sure the **Top Guide Rail (#02)** sits firmly onto the **Guide Rail Brackets (#07)** and is level across the opening.

Parts Needed



Tools Needed



9



! Leave the corner protectors on the glass until it is necessary to remove them.

! **DO NOT** completely disassemble the **Roller Assemblies (#06)** during installation.

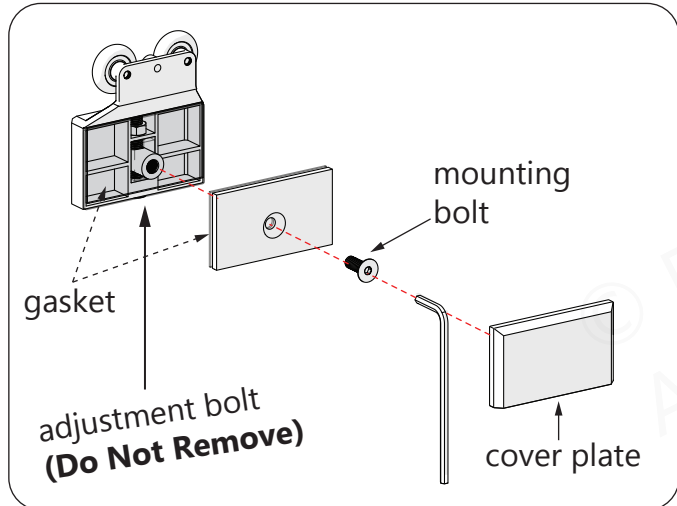


Fig 9

!

Do Not turn the Roller Assembly adjustment bolt more than 4 rotations!
Do Not rotate the adjustment bolt beyond when there is resistance. Excessive rotations will strip the bolt! *see Page 24 for more information

!

Do Not attach the Towel Bars (#08) to the Door Glass (#03) until instructed.
Do Not attempt to lift the glass with the towel bars as this may result in damage to the glass and/or serious personal injury. Use a professional grade glass suction cup and an assistant.

Parts Needed

- 03 x2
- 06 x4
- 14 x1

10



Place both doors into the shower opening. Use wooden shims or padding to protect the glass and wall surface.

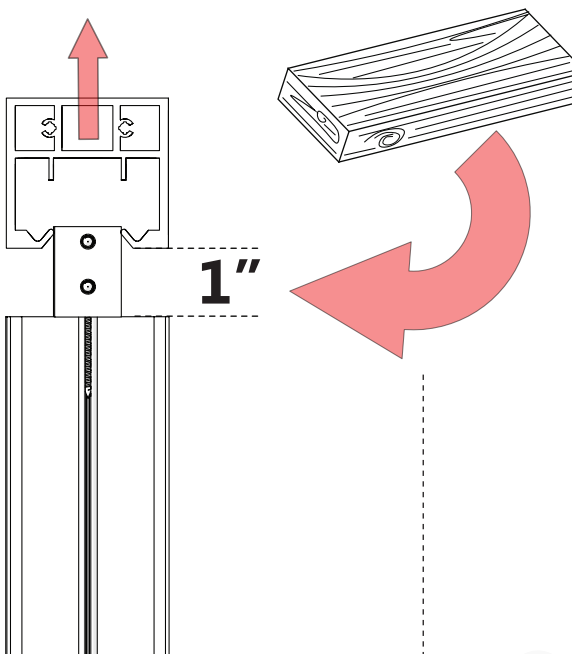
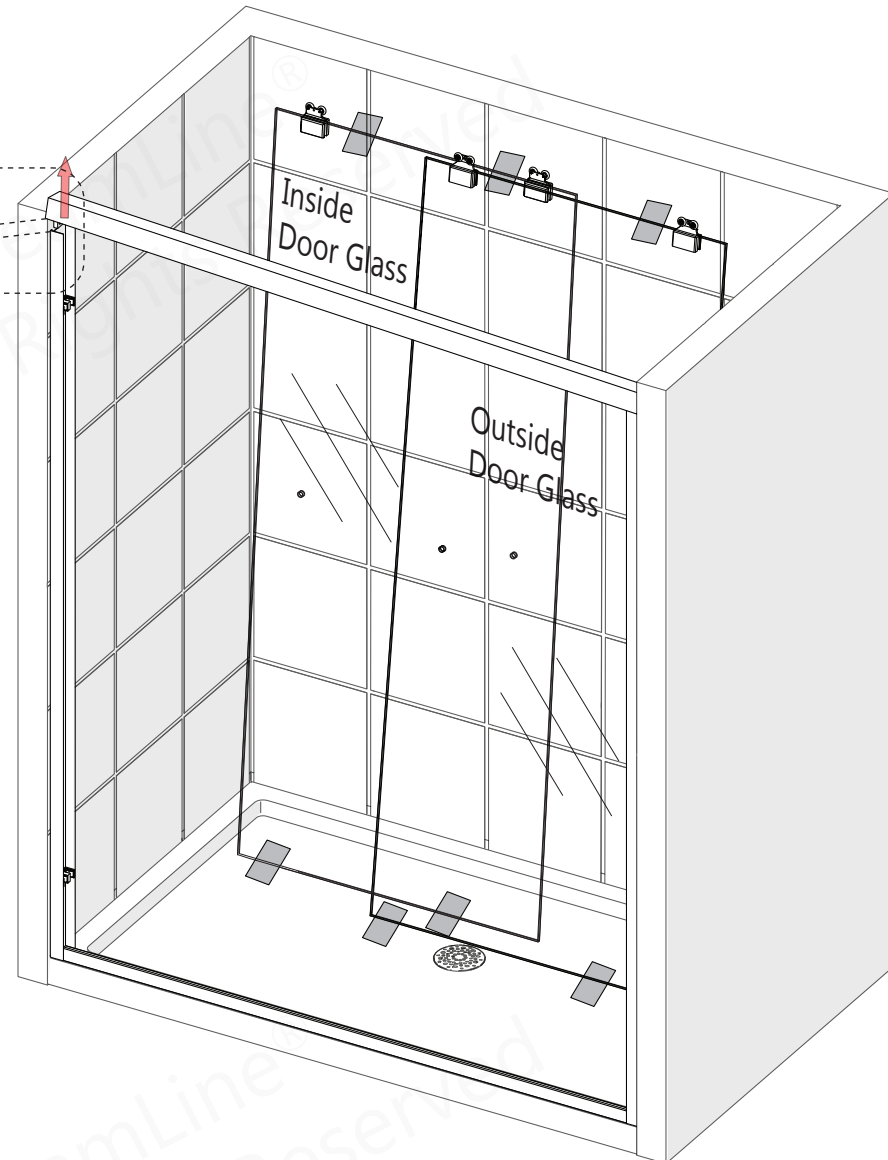
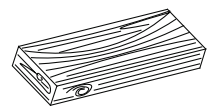


Fig 10



Use a 1" thick wood block or shim to hold up one end of the **Top Guide Rail (#02)** no more than **1"** above the **Wall Profiles (#01)** to allow enough space to install the doors. **Use Caution and Do Not** lift the **Top Guide Rail** completely off the **Guide Rail Bracket (#07)**.

Tools Needed



1" thick block

11

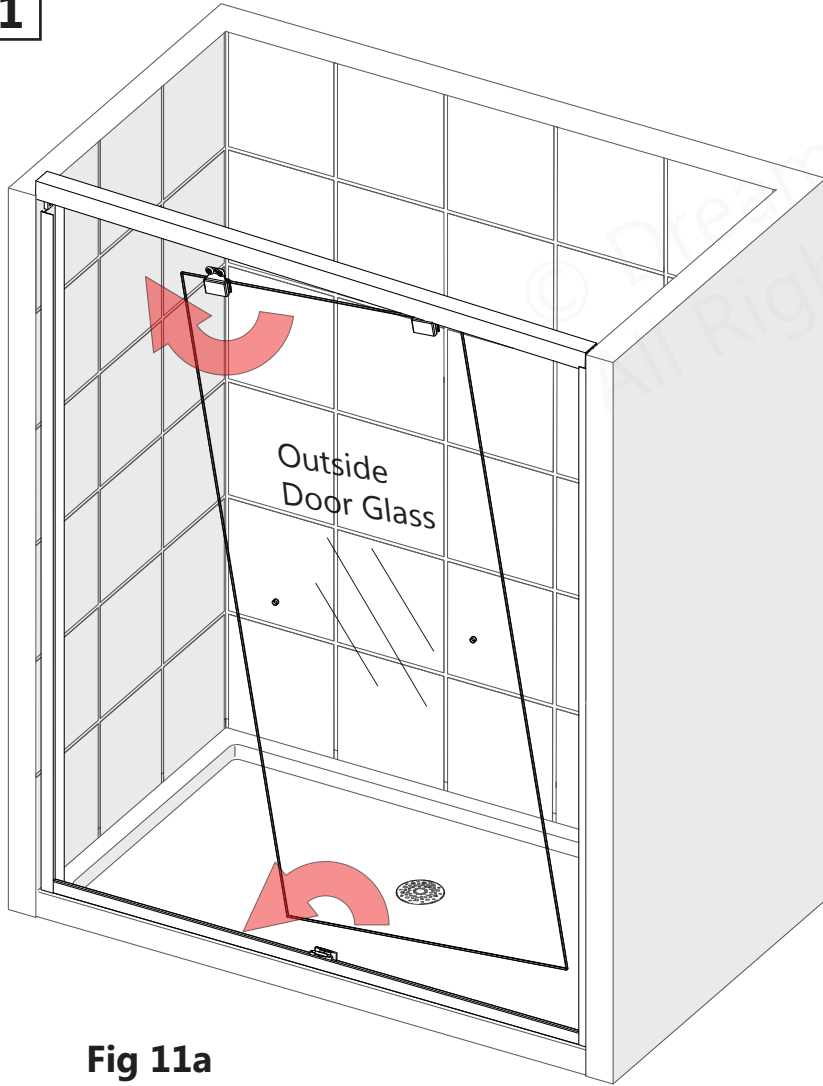


Fig 11a

Outside door glass installation

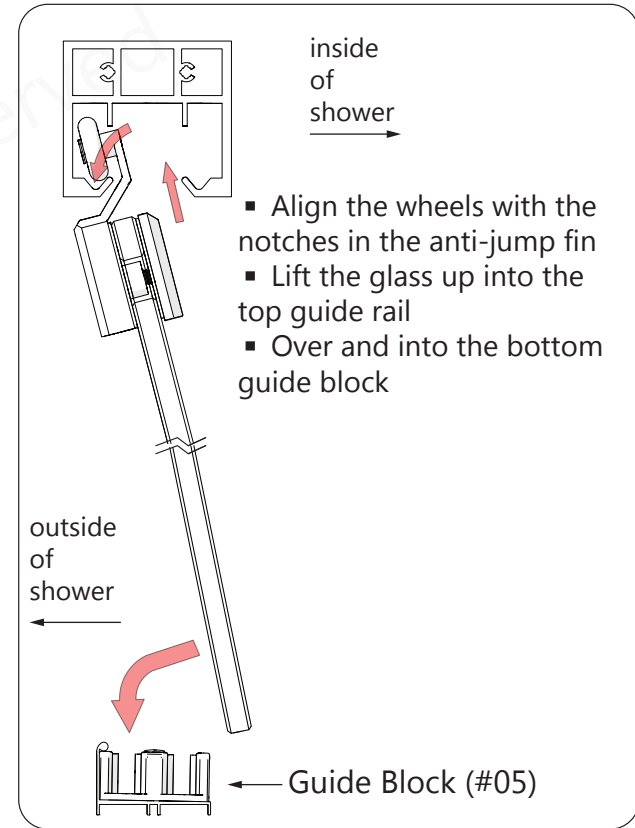
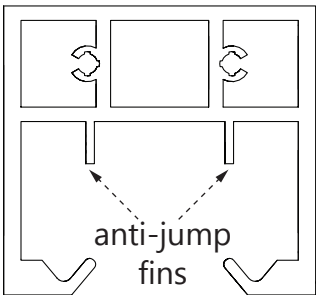
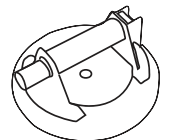


Fig 11b



To insert the **Roller Assemblies (#06)** into the **Top Guide Rail (#02)**, line the wheels up with the notches in the Anti-Jump Fins and set them onto the appropriate track inside of the **Top Guide Rail (#02)**.

Tools Needed



12

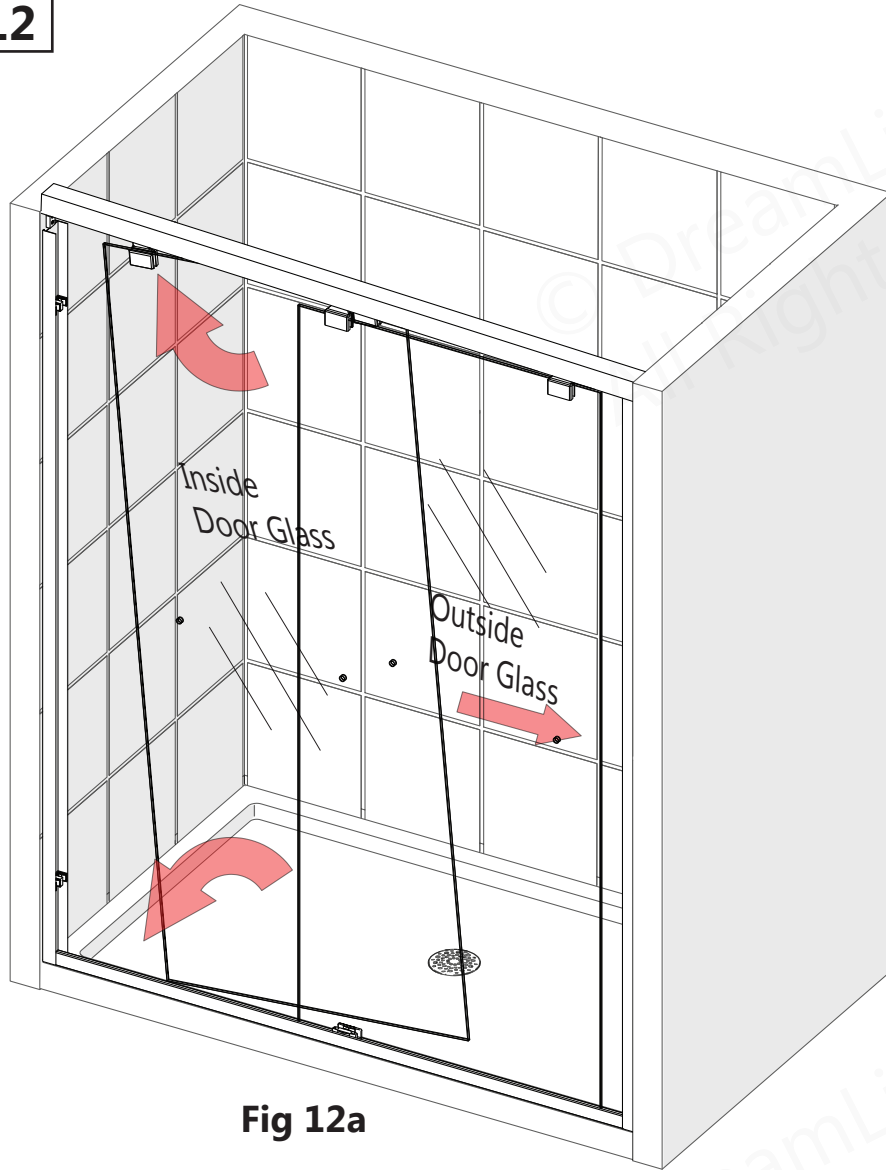


Fig 12a

Inside door glass installation

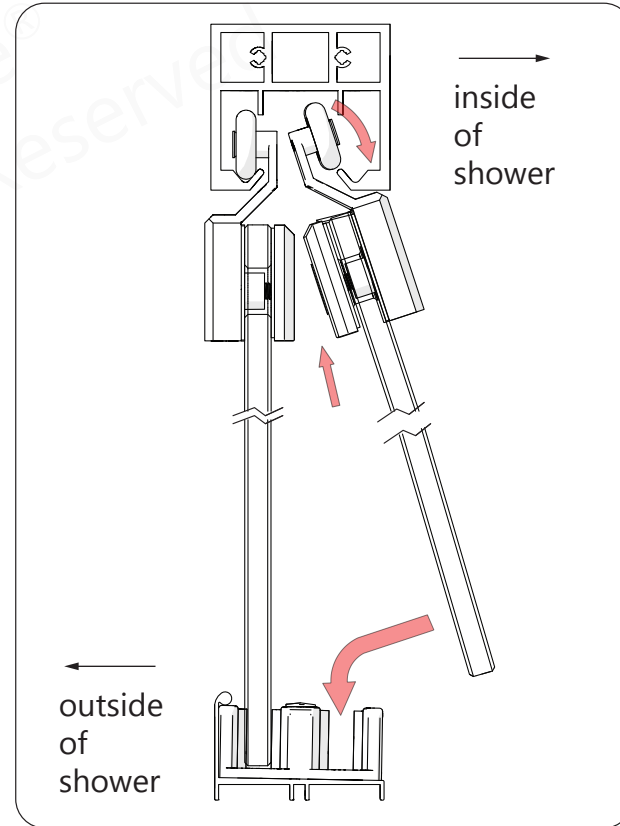


Fig 12b

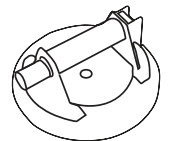


Move the Outside Door Glass over to allow installation of the Inside Door Glass rollers into the Top Guide Rail



Line the **Roller Assemblies (#06)** up with the notches in the anti-jump fin and set the Rollers onto the track inside of the **Top Guide Rail (#02)**.

Tools Needed



13

Towel Bar Installation

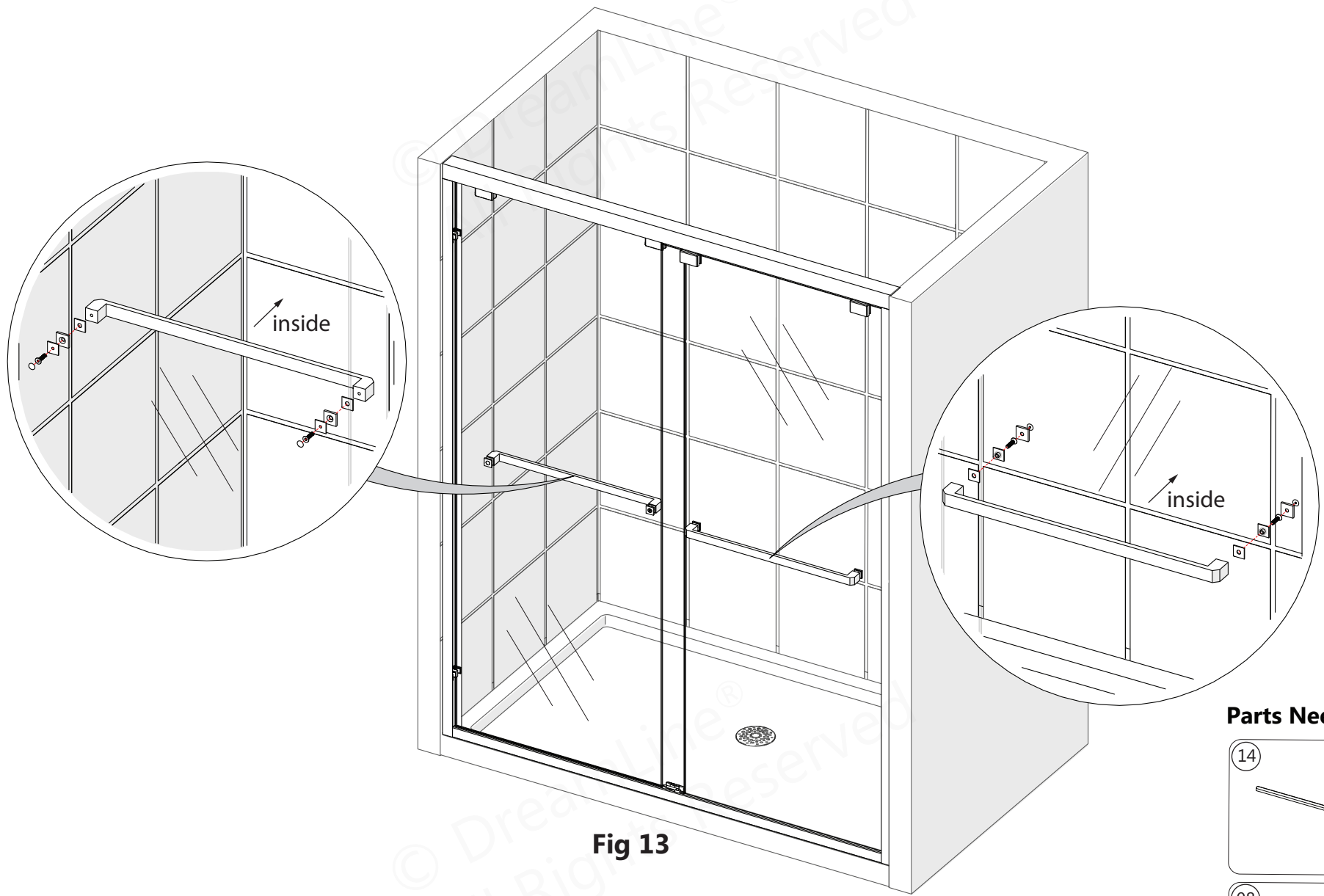
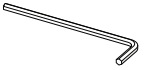



Fig 13

Parts Needed

- (14)  (x1)
- (08)  (x2)

14



The surfaces need to be clean and free of debris before applying silicone

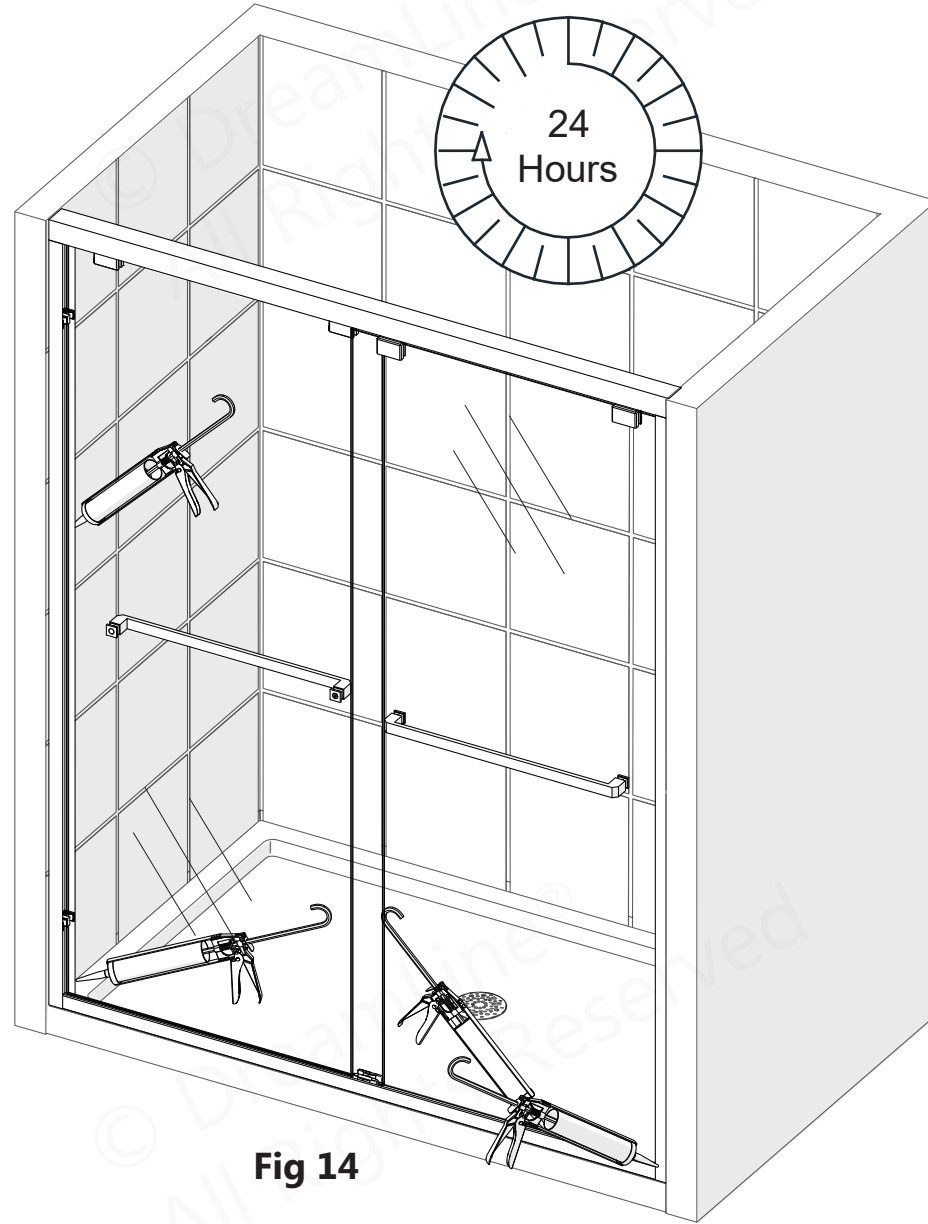


Fig 14



Allow 24 hours for the silicone caulk to cure before using shower

Tools Needed

Product Maintenance

BASES and BACKWALLS: To ensure long lasting life for your acrylic back walls: wipe them off after each use with a soft cloth. To clean the acrylic back walls use non-abrasive sprays or cream based cleaners. Avoid the use of aerosol spray cleaners. Never use abrasive cleansers, metal brushes or scrapers that could permanently scratch or dull the surface.

GLASS: To ensure long lasting life for your glass shower products: wipe them off after each use with a soft cloth. Rinse and wipe off the glass using either a soft cloth or a squeegee to prevent soap buildup and water spots (Hard water can etch the surface of the glass over time if left to dry). To prevent scratching the surface: never use abrasive cleaners or cleaning products that contain scouring agents. Never use bristle brushes or abrasive sponges that may scratch the surface of the glass.

HARDWARE: To ensure a long lasting finish: wipe off all metal parts after each use with a soft cloth. Do not use abrasive cleaners or cleaning products containing ammonia, bleach or acid. If accidentally used, rinse the surface as soon as possible to prevent damage to the finish (peeling or corrosion). After cleaning the polished finishes, rinse thoroughly and wipe dry with a soft clean-cloth.

Clean stainless steel surfaces at least once a week. When applying stainless steel cleaner or polish to stainless steel hardware, work with the grain (not across the grain). Never use an abrasive sponge or cloth, steel wool or wired brush as these may permanently scratch the surfaces.



To maximize the life of your door, it is important to regularly inspect the glass and other hardware for misalignment, proper attachment, and/or damage. Contact DreamLine® with any questions or concerns.

ENCORE Maintenance Checklist

- Top Guide Rail** level and tight
- Wall Profiles** and **Guide Rail Brackets** tight to the walls
 - All screws are tight
- Both lites of **Door Glass** are secure and level
- Guide Block** square to the threshold and glass
- Bottom Guide Rail** secured to the threshold
 - Bottom Guide Rail** screws are tight
- Proper clearance beneath the door glass between the bottom rail and within the guide block
- Door Glass** adjusted so that the **SafeClose™ Bumpers** smoothly catch and release the glass during operation
- Roller Assemblies** tight
 - Roller Assembly cover plates** secure
 - Roller Assembly adjustment bolts** tight
- Towel Bar** screws are tight and secured to each door and gaskets are in place to prevent glass-to-metal contact
- Both doors operate smoothly through the guide block and do not make contact with one another
- Inspect and replace silicone as necessary to prevent water leakage

Troubleshooting

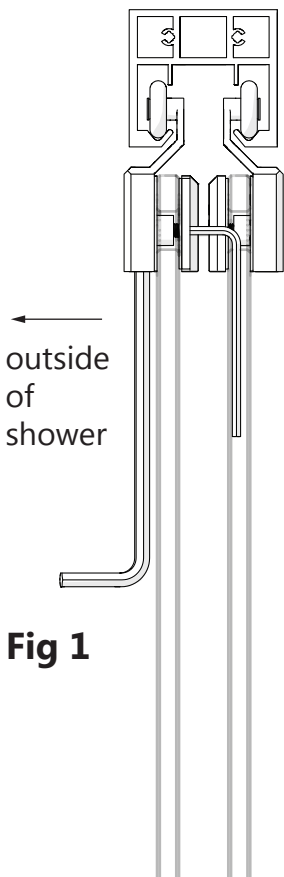
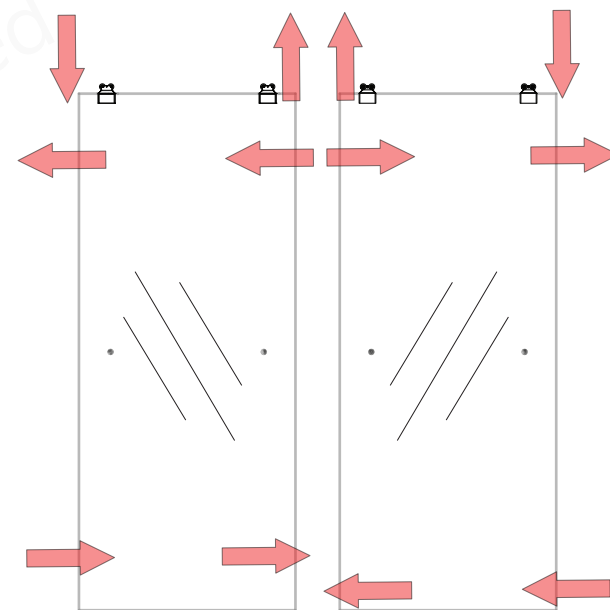
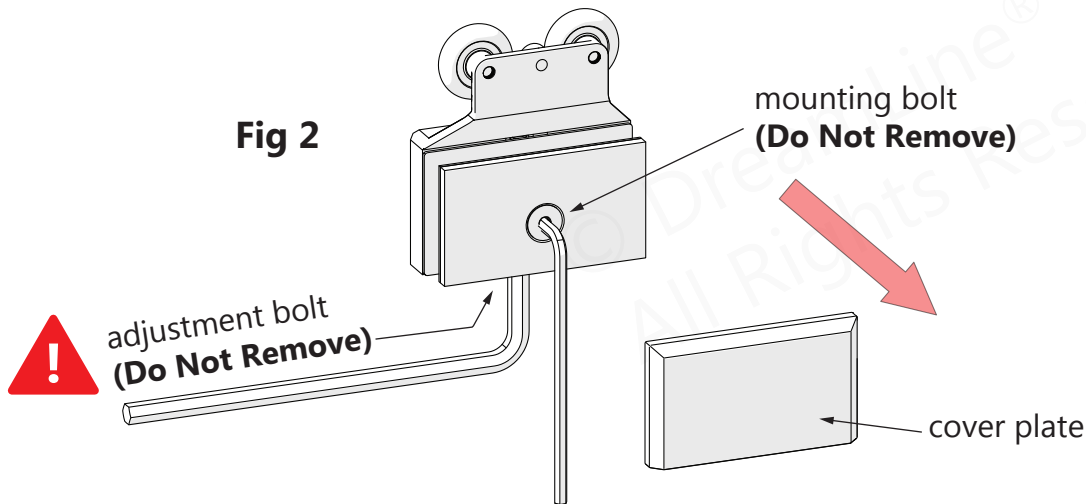
Problem/Symptom	Suggested Solution
Missing Parts	<ul style="list-style-type: none"> •Check all shipping/packaging material for missing parts/components. •If not found, contact DreamLine® Customer Support [1-866-731-2244] to order factory part replacement.
Top Guide Rail (#02) was cut too short.	<ul style="list-style-type: none"> •If the Top Guide Rail (#02) is cut too short, contact DreamLine® Customer Support [1-866-731-2244] to order factory part replacement.
Water Leakage	<ul style="list-style-type: none"> •Confirm the SafeClose™ Bumpers (#04) are installed correctly inside of the Wall Profiles (#01). •Confirm that the entire unit has been properly sealed with silicone caulk; allow at least 24 hours to allow the silicone to cure and set before using the shower unit. •Direct the shower head/water flow away from the area
The doors roll or make noise during operation	<ul style="list-style-type: none"> •Confirm the Top Guide Rail (#02) is level. •Check the Roller Assemblies (#06) to ensure they are properly set onto the Top Guide Rail (#02) track. •Confirm the doors seat smoothly into the SafeClose™ Bumpers (#04) by adjusting the Roller Assemblies adjustment bolts; Do not allow the Door Glass to make contact with the Bottom Guide Rail (#15). [see Page 24]
Towel Bar (#08) is loose.	<ul style="list-style-type: none"> •Verify that the gaskets and screws are in place and tightly secured. [see Page 20]



Prior to contacting DreamLine® Customer Service, please have the following information readily available:

- Purchase Order Information
 - Name, PO Number, Dealer/Vendor Name, etc.
- SKU/Model Number (see Pages 25-28)
- Factory Part Information (see Pages 25-28)

Roller Assembly Adjustment Procedure



To adjust the Door Glass with the Roller Assemblies:

1. Remove the Roller Assembly Cover Plate
2. Loosen the mounting bolt
3. Rotate the adjustment bolt:
 - Counter-clockwise to raise
 - Clockwise to lower

If the Adjustment Bolt is in a neutral position, Do Not rotate the Adjustment Bolt more than 4 rotations!

Do Not rotate the adjustment bolt past when the point of resistance. Excessive rotations can strip the bolt!

Do Not remove the bolts or fully disassemble the Roller Assemblies.

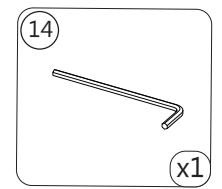


Use the adjustment bolt on the Roller Assembly to adjust the Door Glass so it closes evenly into the Wall Profiles.



Do Not allow the Door Glass to make contact with the Bottom Guide Rail during this process.

Parts Needed



Factory Parts Information

ENCORE - 60 x 58 {SHDR-1660580P-##}		FACTORY PARTS INFORMATION	
ITEM #	FACTORY PART NUMBER	ITEM DESCRIPTION	QTY
01	041740 1 1-1423 / 041740 4 1-1423 / 041740 6 1-1423 / 041740 9 1-1423	Left or Right Wall Profile	2 pcs
02	041710 1 1-1524 / 041710 4 1-1524 / 041710 6 1-1524 / 041710 9 1-1524	Top Guide Rail	1 pc
03	010280006	Door Glass	2 pcs
04	0755 1 065 / 0755 4 065 / 0755 6 065 / 0755 9 065	SafeClose™ Bumper for 8mm (5/16in) Glass	4 pcs
05	0755 1 064 / 0755 4 064 / 0755 6 064 / 0755 9 064	Bottom Guide Block for 8mm (5/16in) Glass	1 pc
06	0731 1 020 / 0731 4 020 / 0731 6 020 / 0731 9 020	Roller Assembly for 8mm (5/16in) Glass	4 pcs
07	0702 1 166 / 0702 4 166 / 0702 6 166 / 0702 9 166	Guide Rail Bracket	2 pcs
08	0722 1 073 / 0722 4 073 / 0722 6 073 / 0722 9 073	Towel Bar	2 pcs
09	07552148	Wall Anchor 8mm (5/16in)	8 pcs
10	092108	ST4.2 x 40 Countersunk Screw	4 pcs
11	091101	ST4.0 x 10 Pan Head Screw	2 pcs
12	091107	ST4.0 x 40 Pan Head Screw	4 pcs
13	091105	ST4.0 x 30 Pan head Screw	2 pcs
14	098003	Allen Wrench 3mm	1 pc
15	041750 1 1-1506 / 041750 4 1-1506 / 041750 6 1-1506 / 041750 9 1-1506	Bottom Guide Rail	1 pc

BOLD digit indicates finish color:

- 1** = Polished SS
- 4** = Brushed SS
- 6** = Oil Rubbed Bronze
- 9** = Satin Black

Contact Support@DreamLine.com for Part replacement, installation assistance or additional information.

Complete **Warranty** information is available on DreamLine.com.

Factory Parts Information

ENCORE - 48 x 76 {SHDR-1648760-##}		FACTORY PARTS INFORMATION	
ITEM #	FACTORY PART NUMBER	ITEM DESCRIPTION	QTY
01	041740 1 1-1880 / 041740 4 1-1880 / 041740 6 1-1880 / 041740 9 1-1880	Left or Right Wall Profile	2 pcs
02	041710 1 1-1219 / 041710 4 1-1219 / 041710 6 1-1219 / 041710 9 1-1219	Top Guide Rail	1 pc
03	010280009	Door Glass	2 pcs
04	0755 1 065 / 0755 4 065 / 0755 6 065 / 0755 9 065	SafeClose™ Bumper for 8mm (5/16in) Glass	4 pcs
05	0755 1 064 / 0755 4 064 / 0755 6 064 / 0755 9 064	Bottom Guide Block for 8mm (5/16in) Glass	1 pc
06	0731 1 020 / 0731 4 020 / 0731 6 020 / 0731 9 020	Roller Assembly for 8mm (5/16in) Glass	4 pcs
07	0702 1 166 / 0702 4 166 / 0702 6 166 / 0702 9 166	Guide Rail Bracket	2 pcs
08	0722 1 032 / 0722 4 032 / 0722 6 032 / 0722 9 032	Towel Bar	2 pcs
09	07552148	Wall Anchor 8mm (5/16in)	8 pcs
10	092108	ST4.2 x 40 Countersunk Screw	4 pcs
11	091101	ST4.0 x 10 Pan Head Screw	2 pcs
12	091107	ST4.0 x 40 Pan Head Screw	4 pcs
13	091105	ST4.0 x 30 Pan head Screw	2 pcs
14	098003	Allen Wrench 3mm	1 pc
15	041750 1 1-1201 / 041750 4 1-1201 / 041750 6 1-1201 / 041750 9 1-1201	Bottom Guide Rail	1 pc

BOLD digit indicates finish color:

- 1** = Polished SS
- 4** = Brushed SS
- 6** = Oil Rubbed Bronze
- 9** = Satin Black

Contact Support@DreamLine.com for Part replacement, installation assistance or additional information.

Complete **Warranty** information is available on DreamLine.com.

Factory Parts Information

ENCORE - 54 x 76 {SHDR-1654760-##}		FACTORY PARTS INFORMATION	
ITEM #	FACTORY PART NUMBER	ITEM DESCRIPTION	QTY
01	041740 1 1-1880 / 041740 4 1-1880 / 041740 6 1-1880 / 041740 9 1-1880	Left or Right Wall Profile	2 pcs
02	041710 1 1-1372 / 041710 4 1-1372 / 041710 6 1-1372 / 041710 9 1-1372	Top Guide Rail	1 pc
03	010280010	Door Glass	2 pcs
04	0755 1 065 / 0755 4 065 / 0755 6 065 / 0755 9 065	SafeClose™ Bumper for 8mm (5/16in) Glass	4 pcs
05	0755 1 064 / 0755 4 064 / 0755 6 064 / 0755 9 064	Bottom Guide Block for 8mm (5/16in) Glass	1 pc
06	0731 1 020 / 0731 4 020 / 0731 6 020 / 0731 9 020	Roller Assembly for 8mm (5/16in) Glass	4 pcs
07	0702 1 166 / 0702 4 166 / 0702 6 166 / 0702 9 166	Guide Rail Bracket	2 pcs
08	0722 1 072 / 0722 4 072 / 0722 6 072 / 0722 9 072	Towel Bar	2 pcs
09	07552148	Wall Anchor 8mm (5/16in)	8 pcs
10	092108	ST4.2 x 40 Countersunk Screw	4 pcs
11	091101	ST4.0 x 10 Pan Head Screw	2 pcs
12	091107	ST4.0 x 40 Pan Head Screw	4 pcs
13	091105	ST4.0 x 30 Pan head Screw	2 pcs
14	098003	Allen Wrench 3mm	1 pc
15	041750 1 1-1354 / 041750 4 1-1354 / 041750 6 1-1354 / 041750 9 1-1354	Bottom Guide Rail	1 pc

BOLD digit indicates finish color:

- 1** = Polished SS
- 4** = Brushed SS
- 6** = Oil Rubbed Bronze
- 9** = Satin Black

Contact Support@DreamLine.com for Part replacement, installation assistance or additional information.

Complete **Warranty** information is available on DreamLine.com.

Factory Parts Information

ENCORE - 60 x 76 {SHDR-1660760-##}		FACTORY PARTS INFORMATION	
ITEM #	FACTORY PART NUMBER	ITEM DESCRIPTION	QTY
01	041740 1 1-1880 / 041740 4 1-1880 / 041740 6 1-1880 / 041740 9 1-1880	Left or Right Wall Profile	2 pcs
02	041710 1 1-1524 / 041710 4 1-1524 / 041710 6 1-1524 / 041710 9 1-1524	Top Guide Rail	1 pc
03	010280007	Door Glass	2 pcs
04	0755 1 065 / 0755 4 065 / 0755 6 065 / 0755 9 065	SafeClose™ Bumper for 8mm (5/16in) Glass	4 pcs
05	0755 1 064 / 0755 4 064 / 0755 6 064 / 0755 9 064	Bottom Guide Block for 8mm (5/16in) Glass	1 pc
06	0731 1 020 / 0731 4 020 / 0731 6 020 / 0731 9 020	Roller Assembly for 8mm (5/16in) Glass	4 pcs
07	0702 1 166 / 0702 4 166 / 0702 6 166 / 0702 9 166	Guide Rail Bracket	2 pcs
08	0722 1 073 / 0722 4 073 / 0722 6 073 / 0722 9 073	Towel Bar	2 pcs
09	07552148	Wall Anchor 8mm (5/16in)	8 pcs
10	092108	ST4.2 x 40 Countersunk Screw	4 pcs
11	091101	ST4.0 x 10 Pan Head Screw	2 pcs
12	091107	ST4.0 x 40 Pan Head Screw	4 pcs
13	091105	ST4.0 x 30 Pan head Screw	2 pcs
14	098003	Allen Wrench 3mm	1 pc
15	041750 1 1-1506 / 041750 4 1-1506 / 041750 6 1-1506 / 041750 9 1-1506	Bottom Guide Rail	1 pc

BOLD digit indicates finish color:

1 = Polished SS

4 = Brushed SS

6 = Oil Rubbed Bronze

9 = Satin Black

Contact Support@DreamLine.com for Part replacement, installation assistance or additional information.

Complete **Warranty** information is available on DreamLine.com.

NOTES:

© DreamLine®
All Rights Reserved

© DreamLine®
All Rights Reserved

© DreamLine®
All Rights Reserved



© DreamLine®
All Rights Reserved

TEL: 866-731-2244
FAX: 866-857-3638
DREAMLINE.COM



For more information on DreamLine® Shower Doors and Enclosures please visit **DreamLine.com**