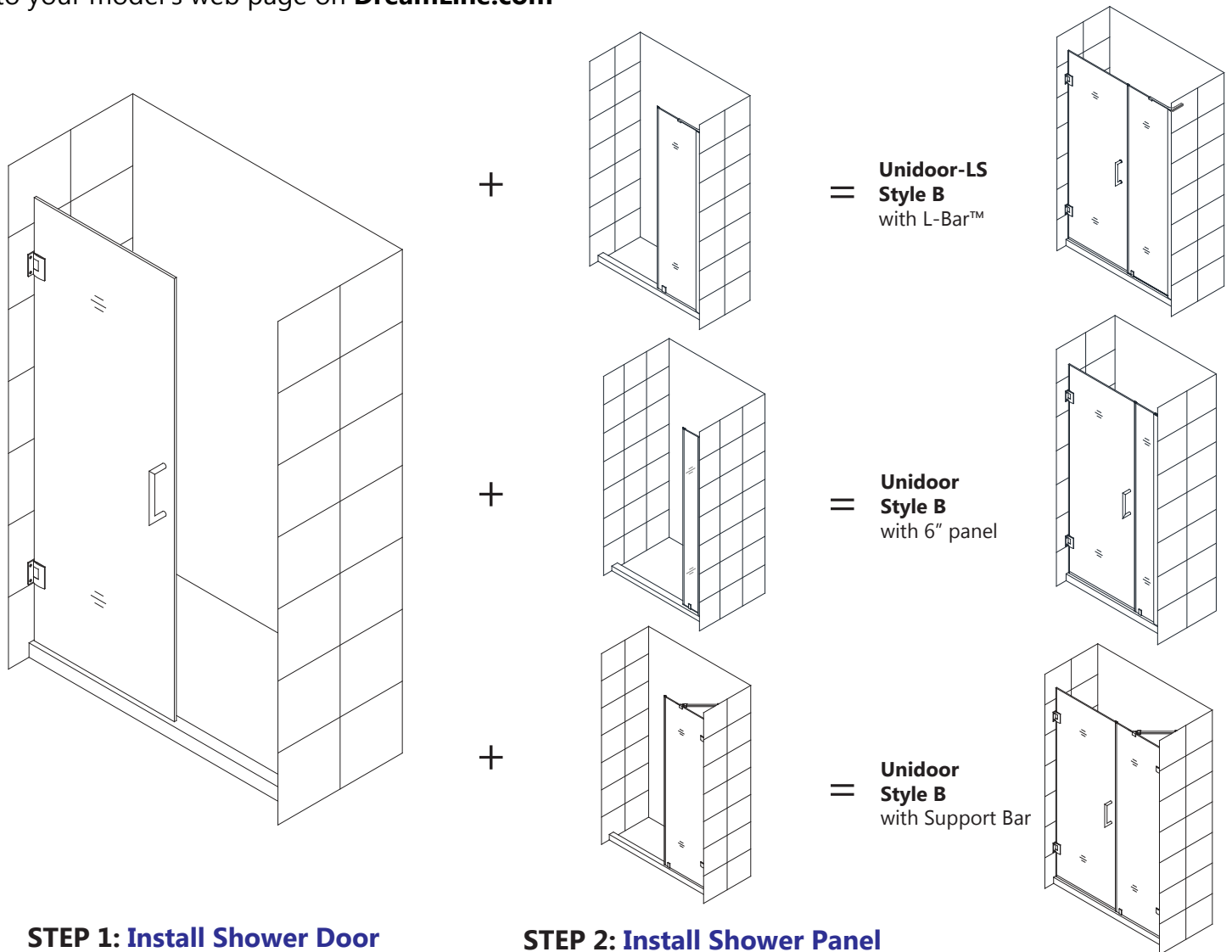


UNIDOOR / UNIDOOR-LS Style B

SHOWER DOOR AND INLINE PANEL INSTALLATION INSTRUCTIONS

IMPORTANT

DreamLine® reserves the right to alter, modify or redesign products at any time without prior notice. For the latest up-to-date technical drawings, manuals, warranty information or additional details please refer to your model's web page on **DreamLine.com**



Questions?

Please Call **DreamLine Customer Support: 1-855-831-2126**
Hours of Operation **M-F 8AM - 7PM EST and Saturday 9AM - 5PM EST**

Support@DreamLine.com



For more information about DreamLine® Shower Doors, Tub Doors & Enclosures, please visit **DreamLine.com**

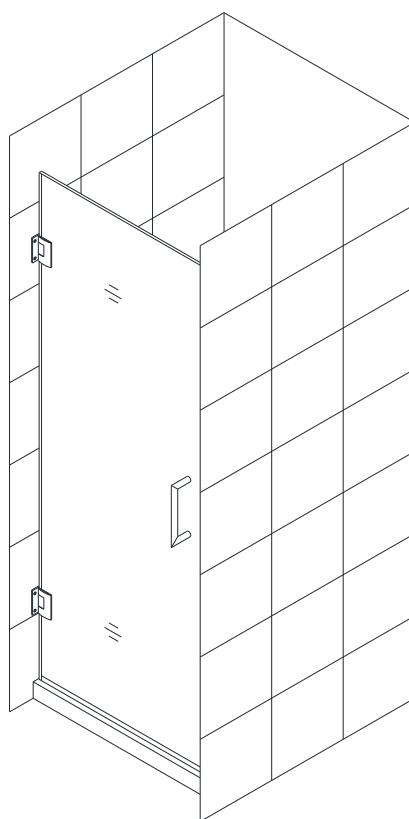


UNIDOOR/UNIDOOR-LS/UNIDOOR LUX/UNIDOOR PLUS

SINGLE SHOWER DOOR INSTALLATION INSTRUCTIONS

IMPORTANT

DreamLine® reserves the right to alter, modify or redesign products at any time without prior notice. For the latest up-to-date technical drawings, manuals, warranty information or additional details please refer to your model's web page on **DreamLine.com**



Model #s

- SHDR-20237210F-##
- SHDR-20247210F-##
- SHDR-20257210F-##
- SHDR-20267210F-##
- SHDR-20277210F-##
- SHDR-20287210F-##
- SHDR-20297210F-##
- SHDR-20307210F-##

= Finish

- 01 = Chrome
- 04 = Brushed Nickel
- 06 = Oil Rubbed Bronze
- 09 = Satin Black
- HFR=Half-Frosted

NOTE: The glass-to-wall hinges for this door must be attached into studs or to preinstalled 2" x 6" wood reinforcement behind the wall.

Right-hand installation shown

Please review this entire manual prior to beginning installation.

ATTENTION: Please see specific installation instructions on page 2 when using the **Frosted Band glass option.**



Questions?

Please Call **DreamLine Customer Support: 1-855-831-2126**
Hours of Operation M-F 8AM - 7PM EST and Saturday 9AM - 5PM EST

Support@DreamLine.com

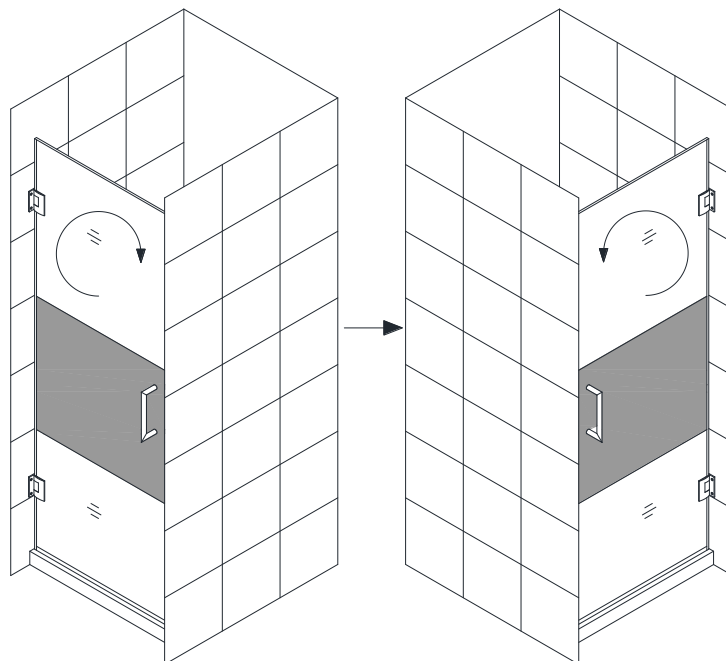


For more information about DreamLine® products please visit DreamLine.com

Style "A" (single door installation shown) with Half-Frosted Glass:

NOTE: This model features the Half-Frosted glass option. The textured surface on the door glass should be installed to face outside of the shower.

The door glass can be flipped for left or right-hand installation.



Hinged Left installation

Hinged Right installation



This model is treated with DreamLine's exclusive ClearMax™ Glass technology. This is a specially formulated coating that prevents the build up of soap and water spots.

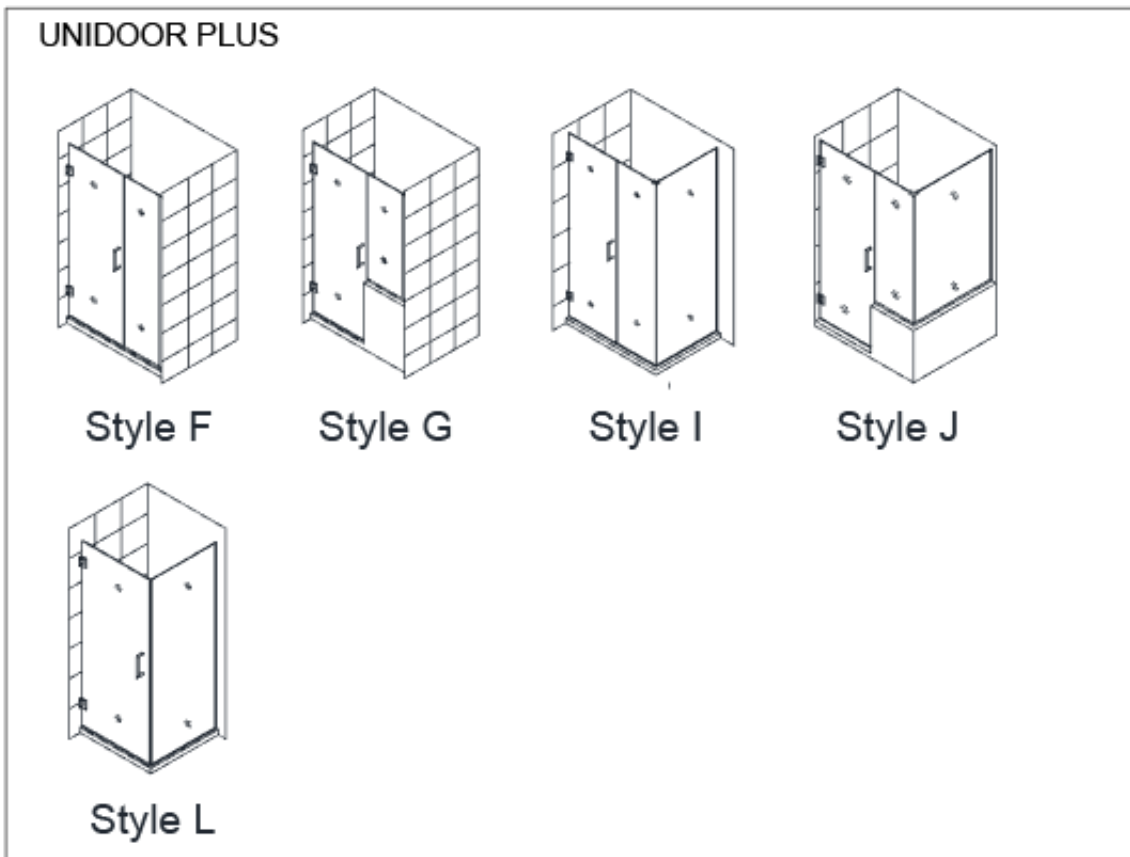
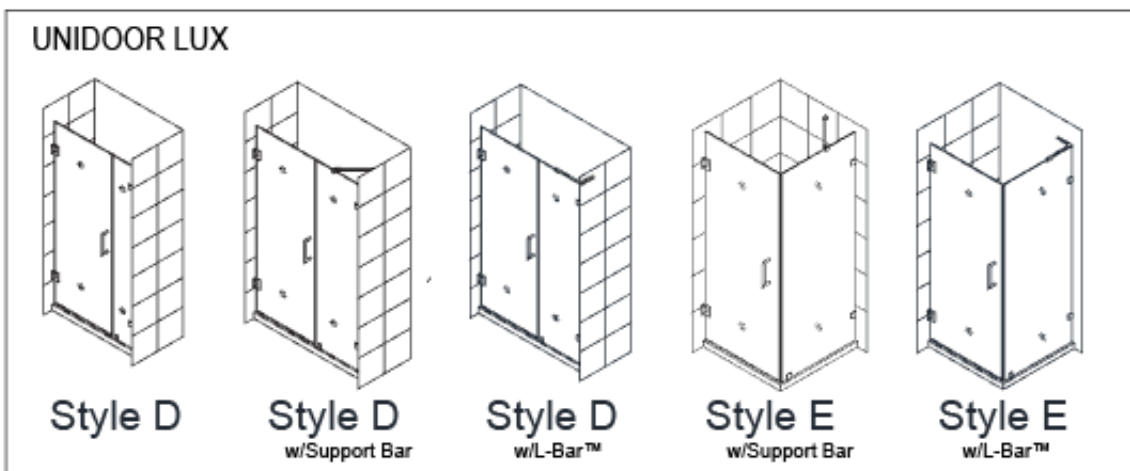
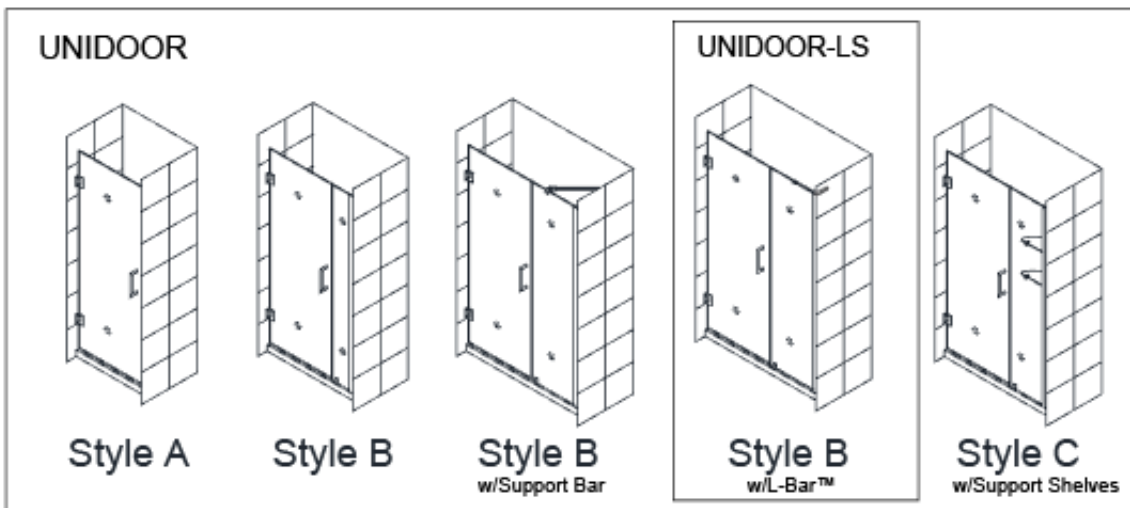
Install the surface with the ClearMax™ label towards the inside of the shower. Please note that depending on the model, the glass may be coated on either one or both surfaces.

For best results, squeegee the glass after each use and dry with a soft cloth.

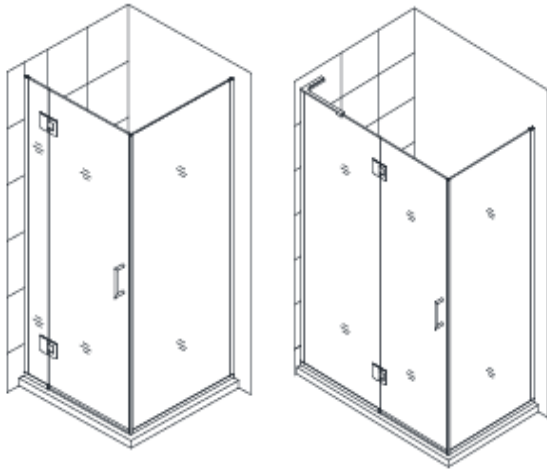
Table of Contents

Section Title	Page #
Unidoor Styles	4-7
Preparation	8
Tools	9
Required Reinforcement locations	10
Glass and Hinge hole details	11-12
Detailed Diagram of Shower Door Components and Parts List	13
Installation Instructions	14-21
Adjustable Hinge Details	17-18
Handle	19
Vinyl Seals	19-20
Product Maintenance	22

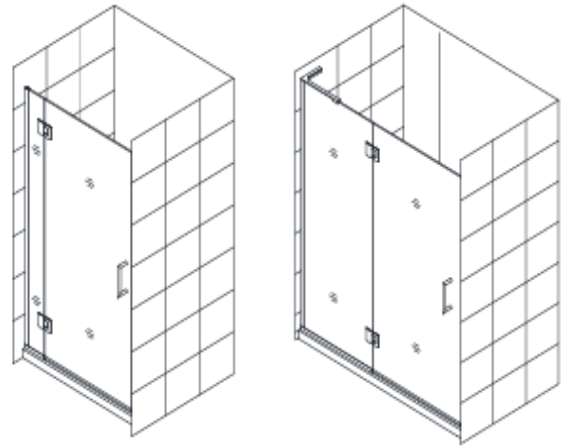
UNIDOOR STYLES- Models with Glass-to-Wall hinges



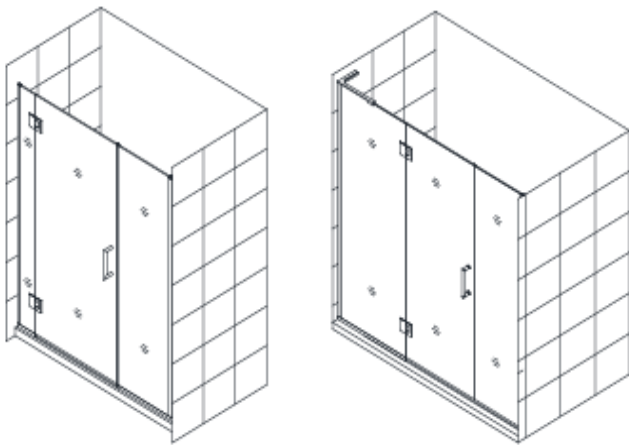
Models with Glass-to-Glass Hinge panels: For Glass-to-Glass Hinge Door models:
Use the installation manual that is packaged with the Hinge panel glass first.



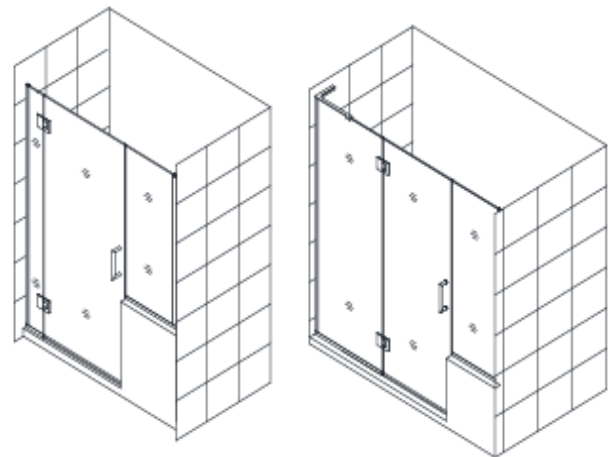
Style L1



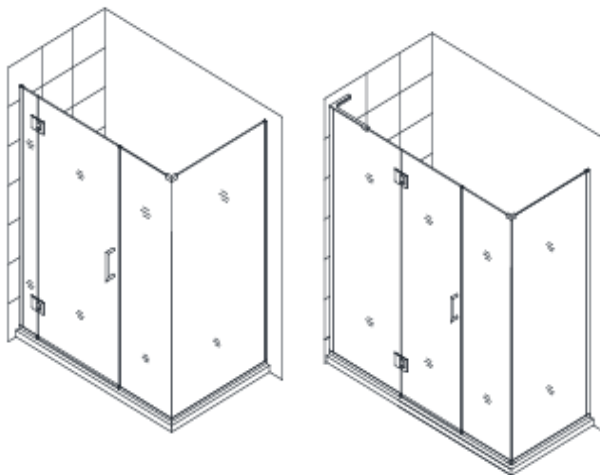
Style M



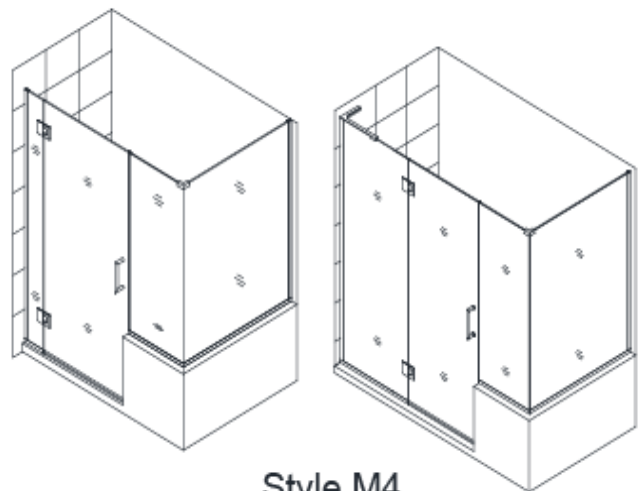
Style M1



Style M2



Style M3



Style M4

STYLE A**UNIDOOR** Single shower door 23" - 30"

Refer to detailed diagram on page 12 of this manual to begin the installation.

STYLE B ***UNIDOOR** Shower door 23" – 30" with 6" small or 12"-30" large stationary panel with a Support Bar**UNIDOOR-LS** Shower door 23" – 30" with 12"-30" large stationary panel with an L-Bar™**STYLE C *****UNIDOOR** Shower door with 12"-30" large stationary panel with Support shelves**STYLE D *****UNIDOOR LUX** Shower door 23"~30" with 6" small or 14"-30" large stationary panel with glass-to-wall brackets**STYLE E *****UNIDOOR LUX** Shower enclosure with 30" return stationary panel with glass-to-wall brackets**STYLE F *****UNIDOOR PLUS** Shower door 23"~30" with 6"-34" in-line stationary panel secured using u-channel**STYLE G *****UNIDOOR PLUS** Shower door 23"~30" with 6"-34" in-line half wall panel secured using u-channel**STYLE I *****UNIDOOR PLUS** Shower enclosure with 6"-34" in-line stationary panel and 30"-34" return panel secured using u-channel**STYLE J *****UNIDOOR PLUS** Shower enclosure with 12"-36" in-line half wall panel and 30"-34" return panel secured using u-channel**STYLE L *****UNIDOOR PLUS** Shower enclosure with 30"- 34" return stationary panel secured using u-channel**STYLE L1 *^****UNIDOOR X** Shower door 23"~30" with 6" or 24" hinge panel and with 30"- 34" full height return panel secured using u-channel**STYLE M *^****UNIDOOR X** Shower door 23"~30" with 6" or 24" hinge panel secured using u-channel**STYLE M1 *^****UNIDOOR X** Shower door 23"~30" with 6" or 24" hinge panel and with 6", 6-1/2", 14", 14-1/2", 22" or 22-1/2" full height inline panel secured using u-channel

STYLE M2 *^

UNIDOOR X Shower door 23"~30" with 6" or 24" hinge panel with 12", 18", 24" or 26" inline buttress panel secured using u-channel

STYLE M3 *^

UNIDOOR X Shower door 23"~30" with 6" or 24" hinge panel, with 6", 6-1/2", 14", 14-1/2", 22" or 22-1/2" full height inline panel and 30" - 34" full height return panel secured using u-channel

STYLE M4 *^

UNIDOOR X Shower door 23"~30" with 6" or 24" hinge panel, with 12", 18", 24" or 26" in-line buttress panel and 30"- 40" buttress return panel secured using u-channel

*** For the panel installation instructions, please refer to the separate manual included in the panel glass packaging.**

^ For Glass-to-Glass door installation, please refer to the separate manual included in the hinge panel glass packaging.

NOTE: The Unidoor series doors and enclosures are reversible for left or right-hand installation. This manual will show the right-hand installation. For a left-hand installation, simply begin on the opposite wall and reverse the orientation of the parts as necessary.

Preparation

1. Prior to installation, examine all boxes and packages for shipping damage and compare the piece count with your packing slip. After opening all boxes and packages read this introduction carefully. Check that all of the necessary parts are included in the package(s) by checking off the components on the "Detailed Diagram of Shower Door Components". If the unit has been damaged, has a finishing defect, or is missing parts, please contact our customer support department within **3 business days** of the delivery date. Please note that **DreamLine® will not replace any damaged products or missing parts free of charge after 3 business days or if the product has been installed.** Please contact DreamLine® if you have any questions and please provide an order number, job name or other proof of purchase to help identify the original order.
2. **Please note that you should consult your local building codes with questions about installation compliance standards. Building and plumbing codes may vary by location, and DreamLine® is not responsible for code compliance standards for your project and will not accept any returns.**
3. If this unit is going to be installed in a new construction, install all of the required plumbing and drainage before installing the shower. **Use a competent and licensed (if required by local code) plumber for all plumbing installation.**
4. Make sure that prior to beginning the installation, the surfaces are leveled and solid and will be able to support the total weight of the unit. Also make sure the walls are at right angles. Irregular installation surface level, radius corners or improper angle of side walls will result in serious problems for your installation. Please note that some adjustments and drilling will be necessary during the installation process.
5. Protect all primary surfaces of the product during installation. Never set glass down directly onto a hard surface unless instructed. Leave corner protectors in place until necessary to remove them. Always use a piece of wood or cardboard to protect the bottom edge and corners of the glass prior to and during installation to prevent damage.
6. **This unit must be installed upon a level finished threshold and against plumb finished walls.**
7. **This door is extremely heavy and the hinges on this door must be attached into studs or to preinstalled 2" x 6" wood reinforcement behind the wall. See pages 9, 10 & 11 for details.**
8. The **single** Unidoor installation does NOT have any adjustment for out-of-plumb or out-of-level conditions. Please verify that the walls are plumb and the threshold is level before proceeding with the installation.
9. **Professional installation is recommended** for this heavy glass frameless shower door.



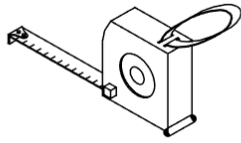
NOTE: DO NOT attach the handle to the door glass until instructed.

DO NOT use the handle to lift the glass during installation. This may result in damage to the glass and/or serious injury. Always use an assistant and/or a professional grade glass suction cup when handling heavy glass panels.

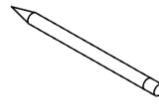
Tools Required



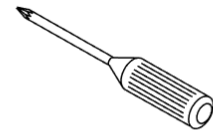
Level



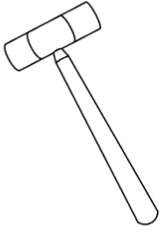
Tape Measure



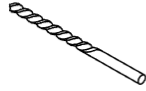
Pencil



Phillips Screwdriver



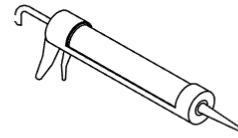
Hammer



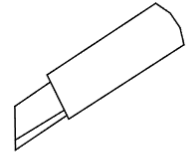
Drill bit
($\text{Ø}=1/4''$)



Power Drill



Caulk

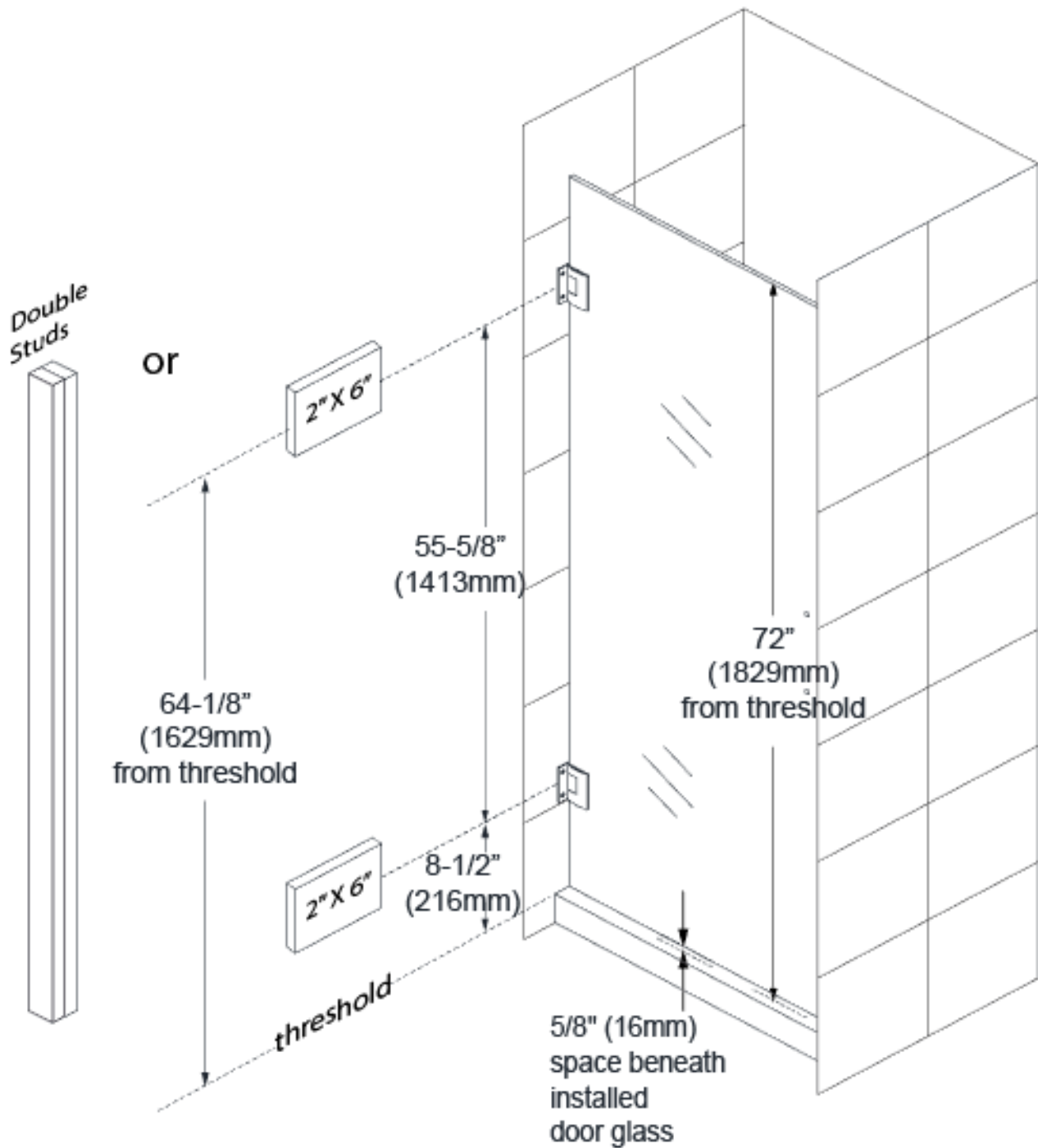


Razor Knife

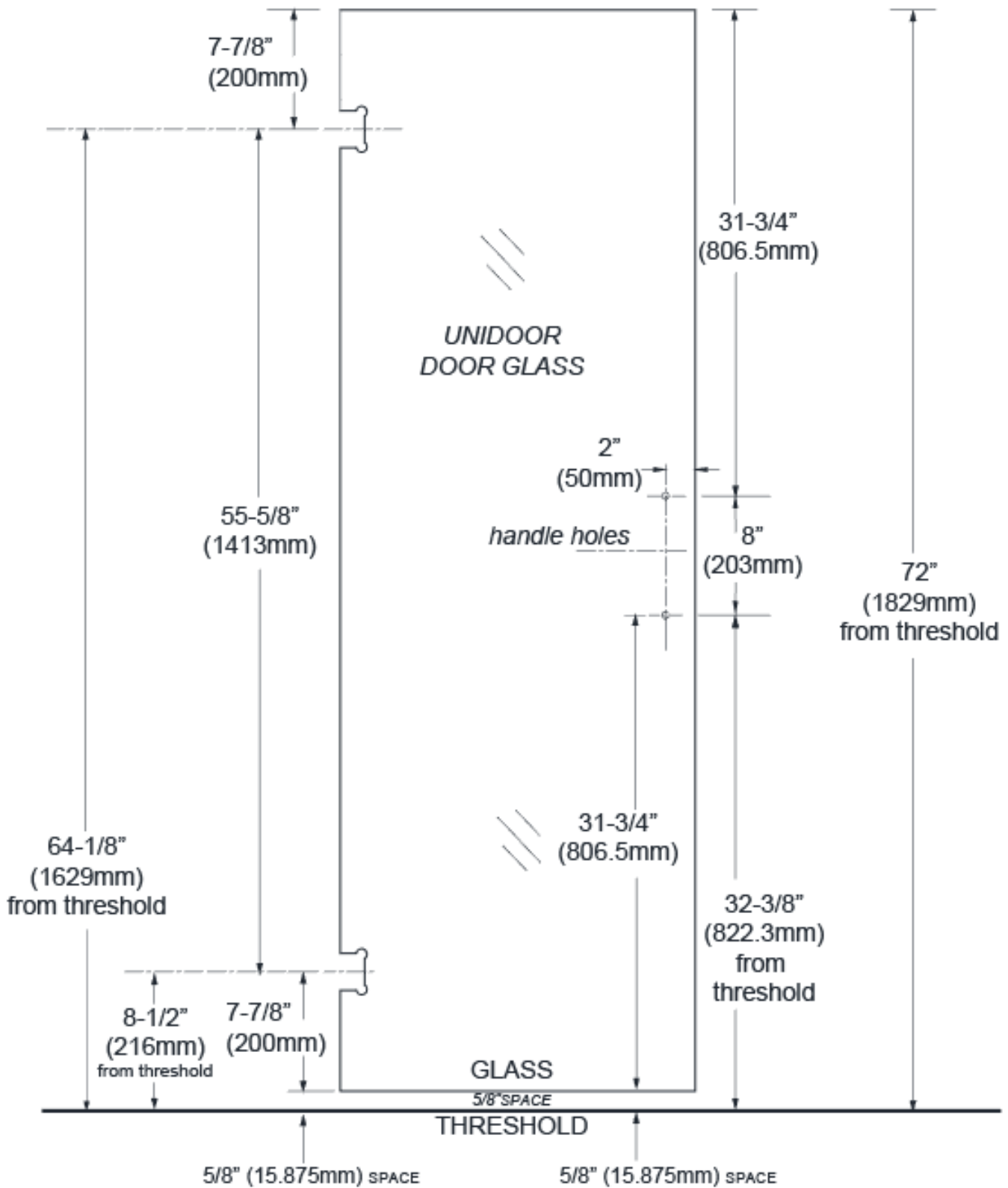


Professional-grade
Glass suction cup

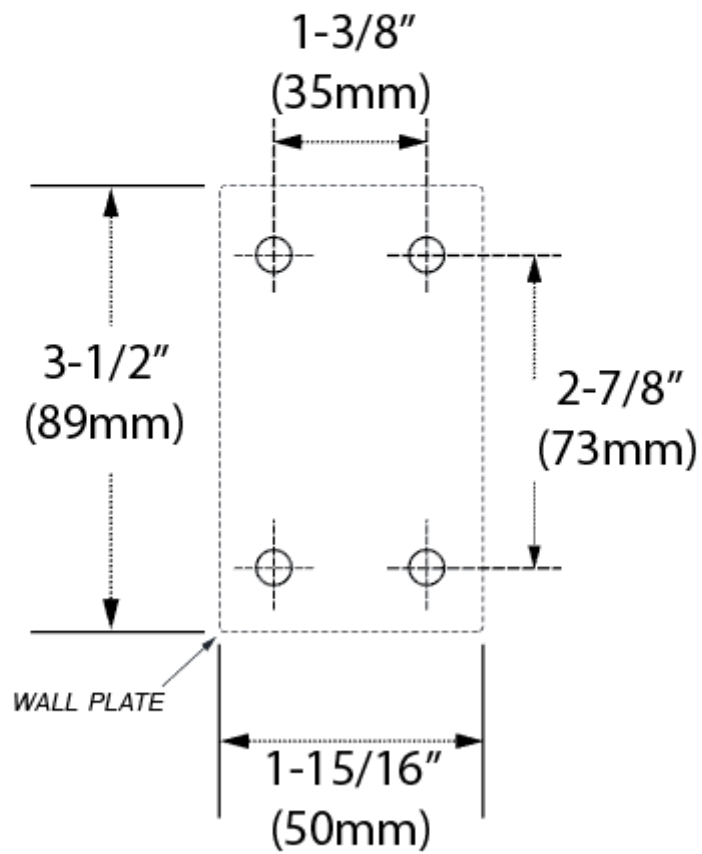
**INSTALL DOUBLE STUDS OR INSTALL 2"X6" WOOD BLOCKING BETWEEN THE STUDS
WHERE THE HINGES WILL ATTACH TO THE WALL**



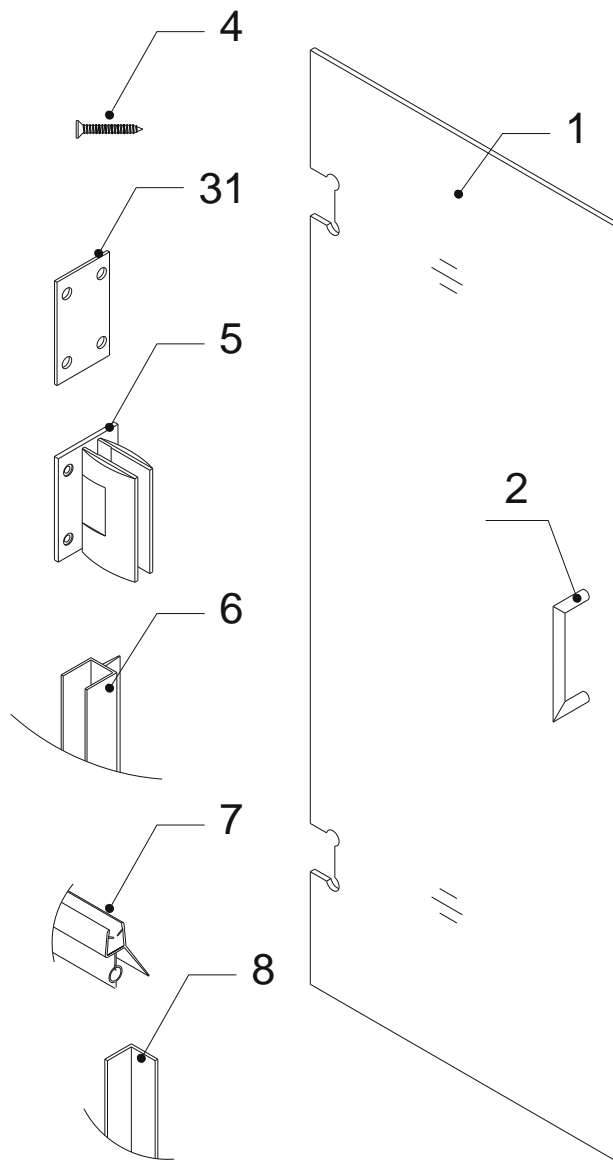
UNIDOOR GLASS-TO-WALL HINGE AND HANDLE LOCATION



UNIDOOR GLASS-TO-WALL HINGE - HOLE ARRAY



Detailed Diagram of Shower Door Components



The glass surface with the **ClearMax™** label must be installed to face inside of the shower

Packing List

Part#	Description	Qty	Part#	Description	Qty
01	Door glass	1pc	06	Side strip (hinge side)	1pc
02	Handle	1pc	07	Bottom anti-water strip (sweep)	1pc
04	Countersunk screw ST5×70	8pcs	08*	L-shaped strip (strike)	1pc
05	Hinge with Adjustable angle	2pcs	31	PVC hinge spacer	4pcs

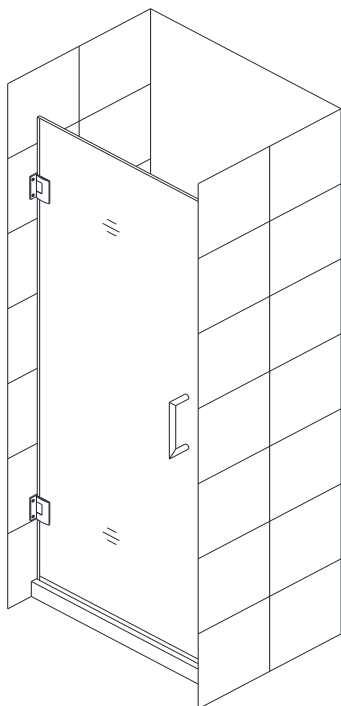
***Part #8 “L-shaped strip” used with single door installation only.**

NOTE: Unpack your unit carefully and inspect it. Lay out and identify all parts using the detailed diagram and packing list in this manual as a reference. Before discarding the carton, check for small hardware bags that may have fallen to the bottom of the box. If any parts are damaged or missing, please contact DreamLine® for replacement.

NOTE: Retain these installation instructions for future reference.

Single Shower Door Assembly and Installation

NOTE: The following shower door installation instructions should be used as a general guide and prerequisite to the installation of the UNIDOOR, UNIDOOR-LS, UNIDOOR LUX and UNIDOOR PLUS models. Before you begin the installation, please check your finished opening size. Specific size information can be found on DreamLine.com



ATTENTION:

This door is extremely heavy and the hinges on this door must be installed into studs or to preinstalled 2×6 wood reinforcement behind the wall.

NOTE: DO NOT attach the handle to the door glass until instructed.
DO NOT use the handle to lift the glass during installation. This may result in damage to the glass and/or serious injury. Always use an assistant or a professional grade glass suction cup when handling the door glass.

1. Attach the **Hinges (05)** to the **Door Glass (01)**. Use one hinge gasket per side. Attach the hinges centered in the notches and square with the edge of the door glass. Fully tighten the hinge bolts. (**Fig 1**)

Never set your glass down directly onto a tile or concrete floor.

Always use a piece of wood or cardboard and leave the corner pads and protective shims on the glass until it becomes necessary to remove them. This will protect the bottom edge and corners from damage which could lead to breakage.

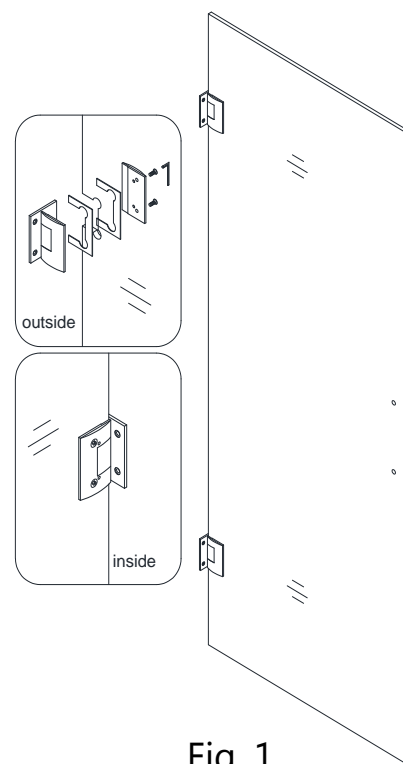


Fig. 1

ATTENTION:

For Styles E, I, J & L that have return panels:

Please check the model dimensions for proper placement of the Door Glass (01) so that the door glass will align correctly with the return panel glass.

2. The **Door Glass (01)** ships with four 5/8" shims attached to the top (2pcs) and bottom (2pcs). Determine the swing of your door and only remove the shims from the top of the door glass, leaving the bottom shims in place. Set the **Door Glass (01)** onto the threshold at the desired location and check for level. These 5/8" shims will leave the proper spacing at the bottom of the door glass and will ensure that the door height finishes at 72", but always confirm with a measurement. Carefully butt the door with the hinged side against the wall, adjust its position and check for plumb with a level. **(Fig 2)**

ATTENTION:

Check the door glass with a level to verify that it is plumb before marking the hinge positions.

TIP:

When installing the door along with panel glass, use the 72" Anti-Water strip (Inline) (19) that is packed with the panel glass as a height reference to be sure that the door height will match the panel glass at 72".

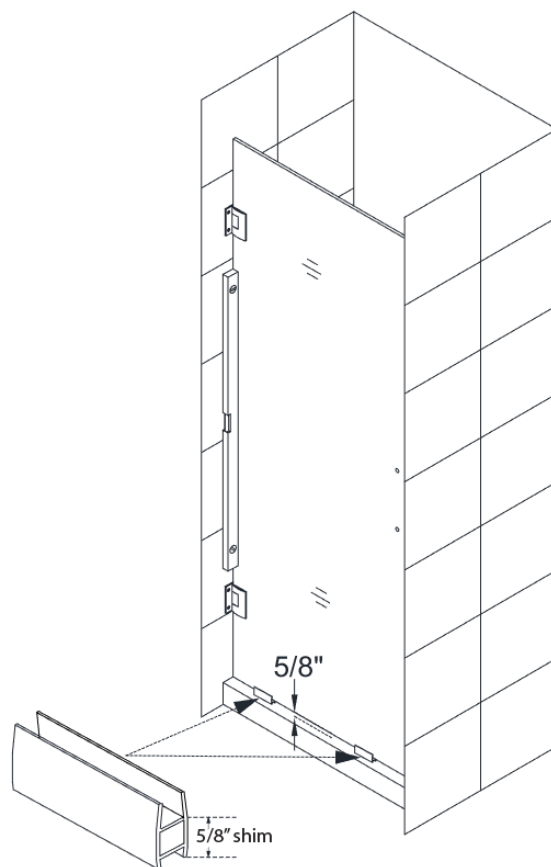


Fig. 2

3. Hold the door in place and mark the drill holes for both **Hinges (05)** on the wall. Set the door aside and use a $\text{Ø } 1/4\text{"}$ drill bit to drill holes up to the stud. Drill 1/8" pilot holes into the stud if necessary.

IMPORTANT:

The included PVC hinge spacers (31) are provided to compensate for minor out-of-plumb wall conditions. Use only as necessary as their use could compromise the opening size of your shower. Please see Fig 4 for an installation example*.

4. Place the **Door Glass (01)** back onto the threshold along with the 5/8" spacers and attach both hinges to the wall with two **Countersunk screws ST5×70 (04)** on the hinge from outside of the shower. Then open the door and install the remaining screws to both wall plates from the inside.

(Fig 3 and Fig 4)

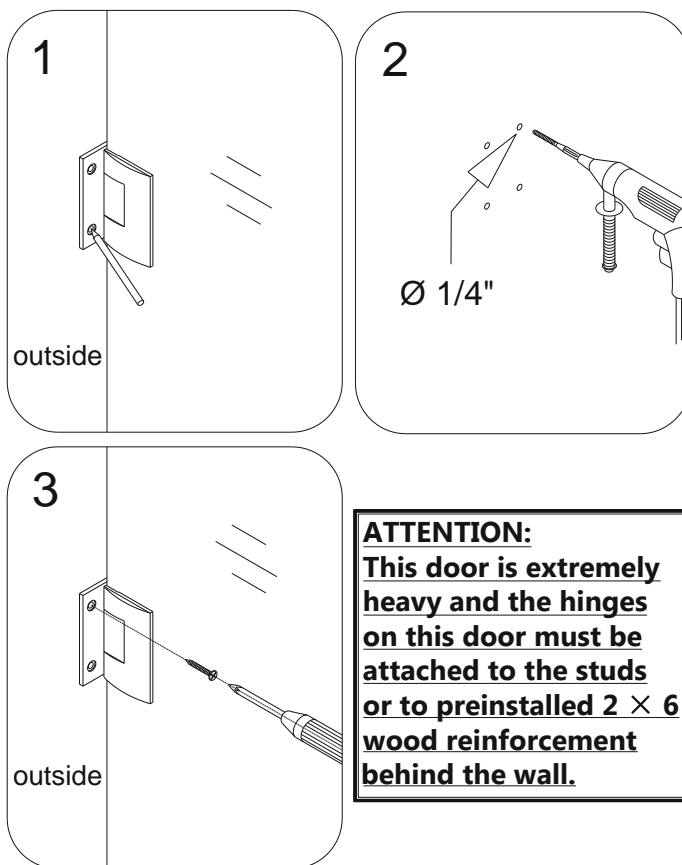


Fig. 3

TIP: The PVC hinge spacer can also be used as a template to assist with marking the hinge mounting holes.

***Only use the PVC hinge spacer to correct for minor out-of-plumb wall conditions.**

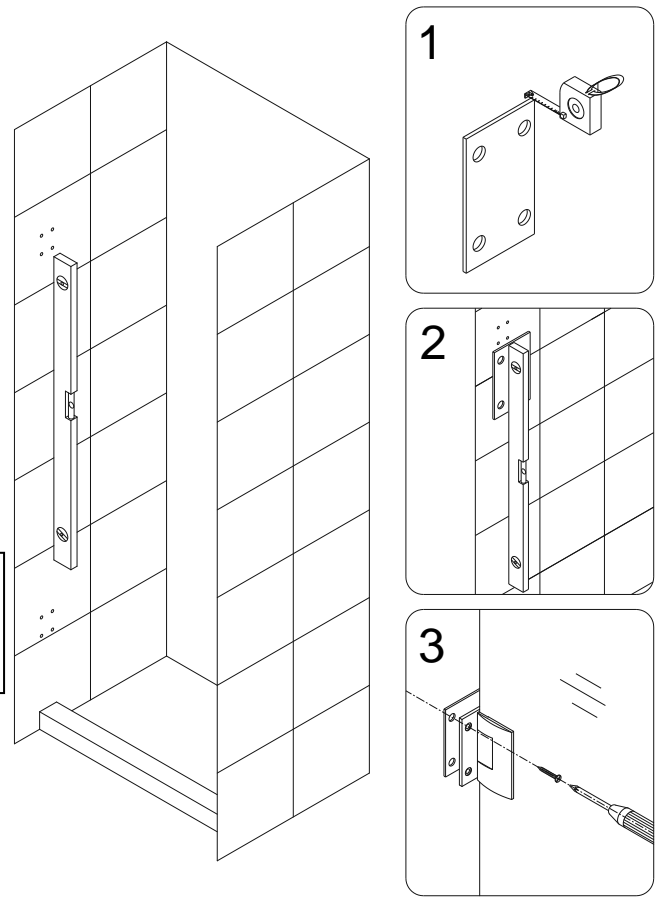


Fig. 4

ATTENTION:

As viewed from inside the shower, the hinge plate is very close to the drilled holes in the wall and might get scratched while installing the long screws. Be careful not to scratch the hinge surfaces during installation.

(OPTIONAL)

- Carefully remove the hinge plates from the **Hinges (05)** (Fig 5.1), remove the **Door Glass (01)** and carefully set it aside.

Install the remaining **Countersunk screws ST5 x 70 (04)** into the wall, place the **Door Glass (01)** (with the 5/8" bottom spacers still attached) back into position onto the **Hinges (05)** and re-assemble the **Hinges (05)**. Once the door glass is secure, remove the 5/8" spacers from beneath the **Door Glass (01)**. (Fig 5)

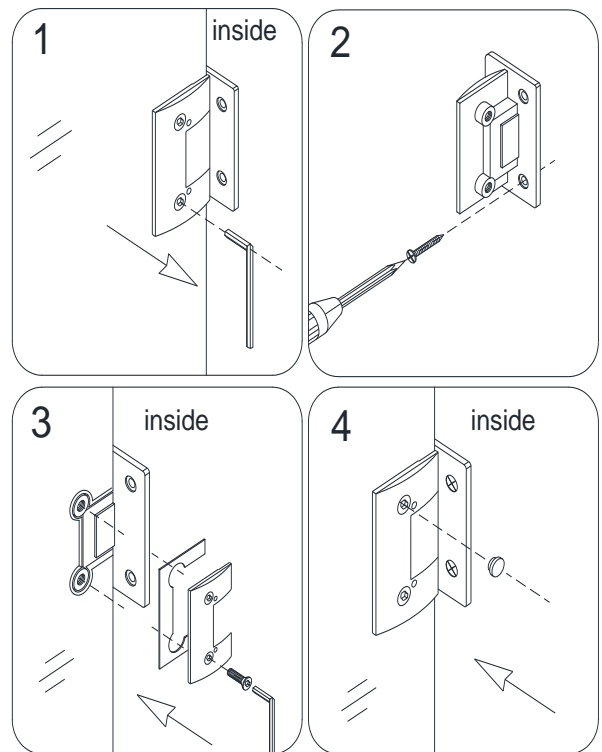
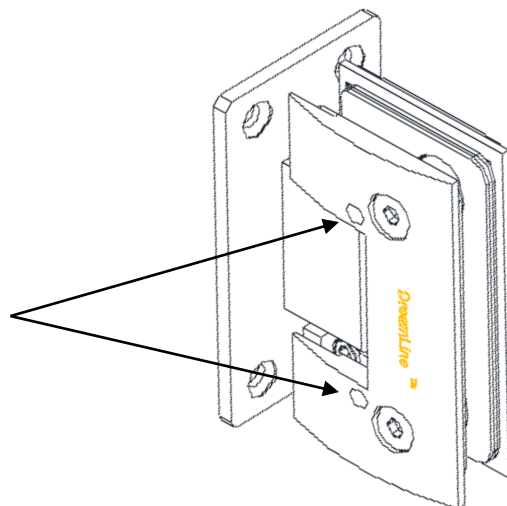


Fig. 5

Setting the Adjustable Hinges

The Adjustable hinges are pre-set to overclose to 85° and are adjustable up to 90° after the door is installed. Once the door glass is installed, simply loosen the Allen set screws and position the door to the desired closed position. While holding the door in the new closed position, retighten the Allen screws and your door will now self-center to the chosen closed position.



5a. Make sure the door glass is plumb and the edge of the hinge is installed flush with the glass edge. Center the hinge in the glass notch and tighten the faceplate screws (**Fig 5a**). Be careful not to scratch the finished surfaces of the hinge during installation.

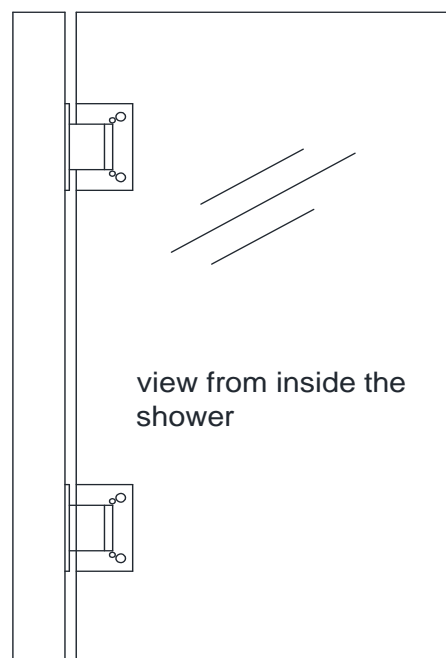


Fig 5a

5b. The hinges are factory set to 85 degrees. You can change this angle by using the adjustment screws on the hinge plate.

(Fig 5b)

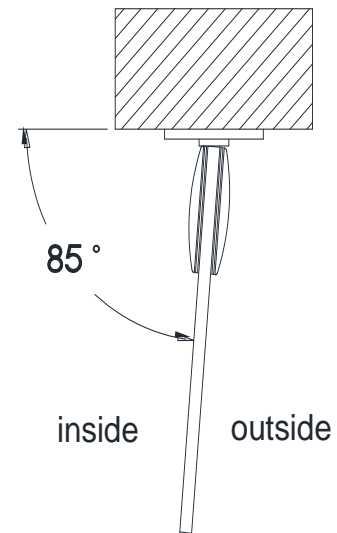


Fig 5b

5c. Use the supplied Allen Key to loosen the adjustment screws on the inside hinge plate, adjust the door to the desired angle (90 degrees for example) then retighten the adjustment screws **(Fig 5c)**. Be sure that you create a tight seal with the supplied strike vinyl when the door is in the closed position.

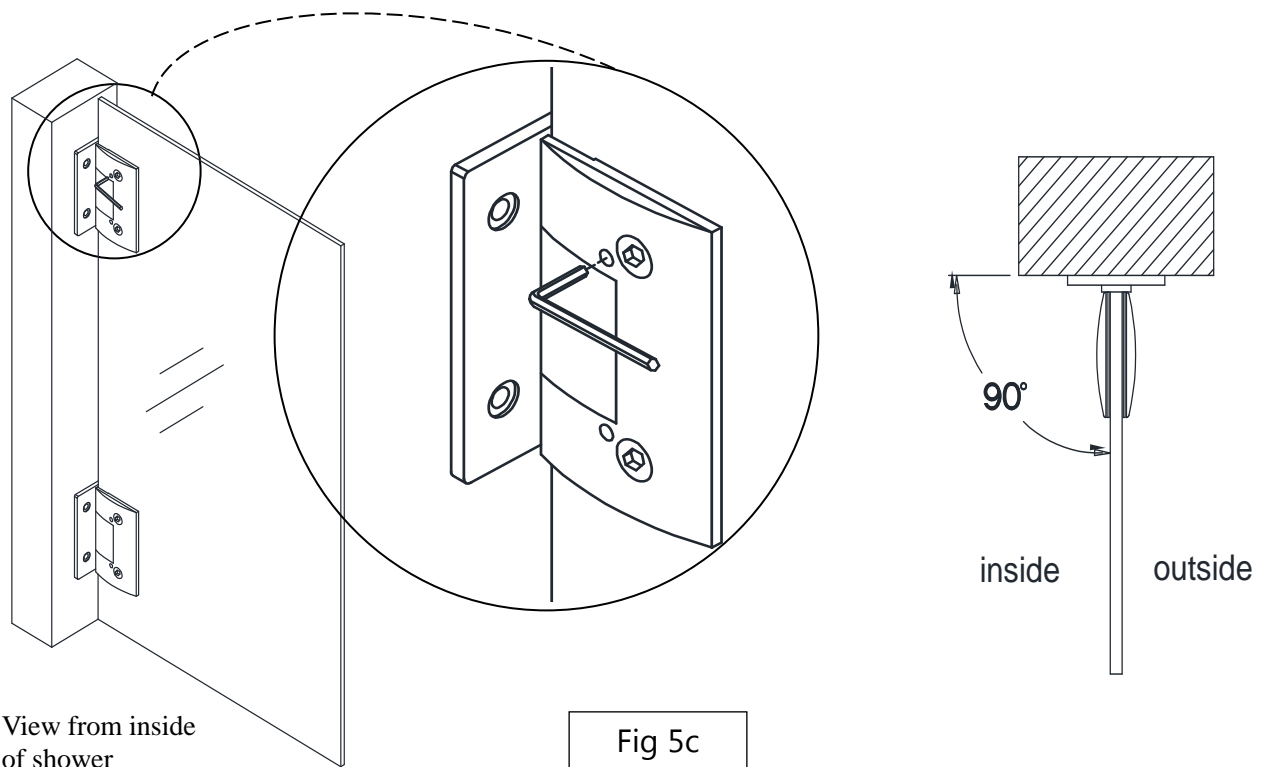


Fig 5c

6. Mount the **Handle (02)** to the **Door Glass (01)**.
(Fig 6)

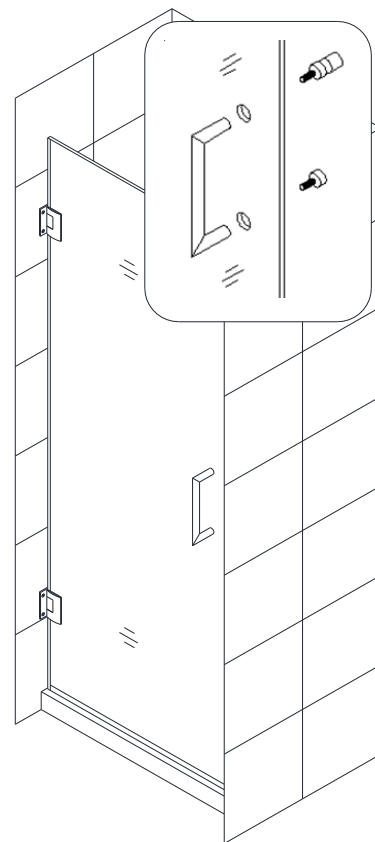


Fig. 6

7. Measure the bottom of the **Door Glass (01)** from end to end to determine the actual width of the **door**. Cut the **Bottom anti-water strip (07)** to the size of your measurement and notch approximately $3/8''$ off the inner side of the **Bottom anti-water strip as shown**. Press the **Bottom Anti-water strip (07)** tightly onto the bottom edge of the **Door Glass (01)**.

NOTICE:

Make sure the **Bottom anti-water strip** is flush to the vertical edge of the **Handle side** of the **Door Glass**.

(Fig 7)

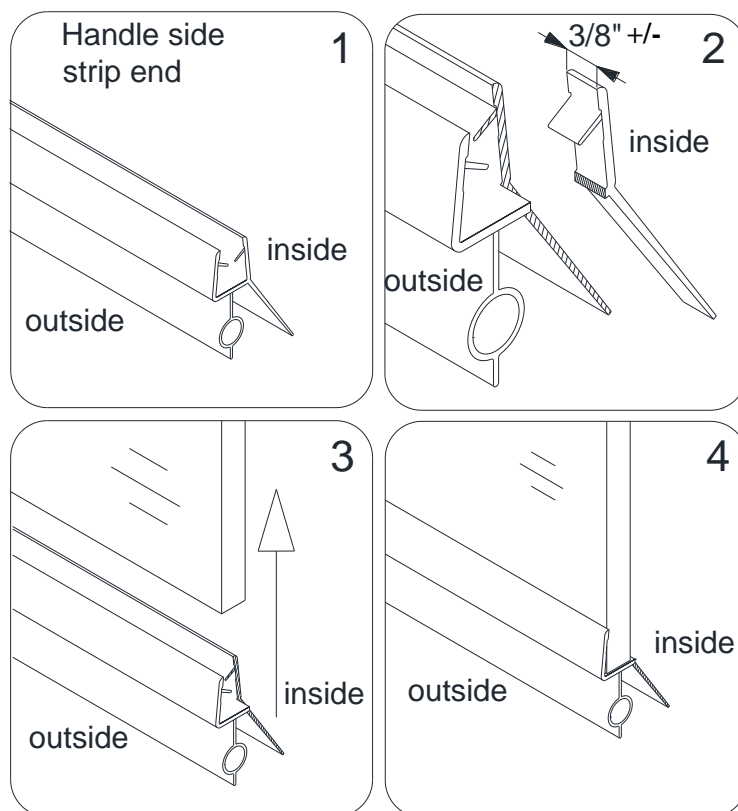


Fig. 7

8. Take three measurements:

- from the top edge of the **Door Glass (01)** to the upper body of the top **Hinge (05)** (+) $7/8''$
- from the lower body of the upper **Hinge** to the upper body of the bottom **Hinge** (+) $1-3/4''$
- from the lower body of the bottom **Hinge** to top of the installed **Bottom anti-water strip (07)** (+) $1-7/8''$

Cut the **Side strip (06)** according to the measurements.

Notch the cut strips to be able to slide them into the **Hinge** and around the sweep vinyl to cover the space to the wall.

Press the cut strips onto the vertical edge of the **Door Glass**.

(Fig 8)

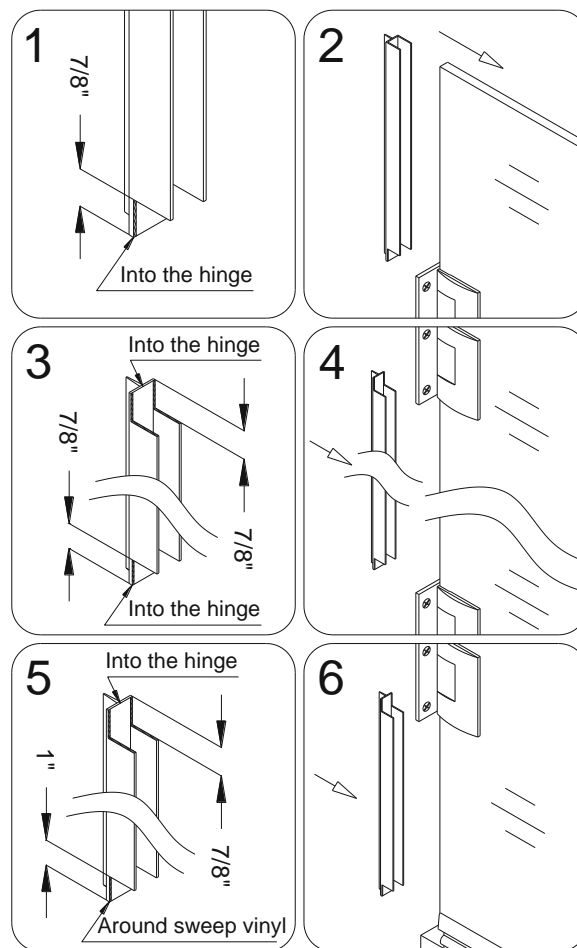


Fig. 8

ATTENTION; Prior to the next step, please be sure that the section of the wall where you need to attach the L-shaped strip (08) is clean, dry and free from soap, oil and any construction debris.

- 9.** Hold the door in the closed position, parallel to the threshold. Place the ***L-shaped strip (08)** onto the door edge. Make sure that the door glass makes good contact with the entire length of the **L-shaped strip (08)**, and mark its location on the wall.

Open the door. Remove the tape backing from the adhesive strip and firmly press the **L-shaped strip (08)** to the wall.

Allow 24 hours for the adhesive to fully setup before use.

(Fig 9 and Fig 10)

***NOTE:**

The above procedure for installing the L-shaped strip (08) is for the Unidoor Style A single shower door installation only. When installing another model with additional panel glass, please refer to the separate panel installation manual located in the glass packaging for model specific instructions. The vinyl seals that apply to the panel glass are packaged with the panel glass.



Fig. 9

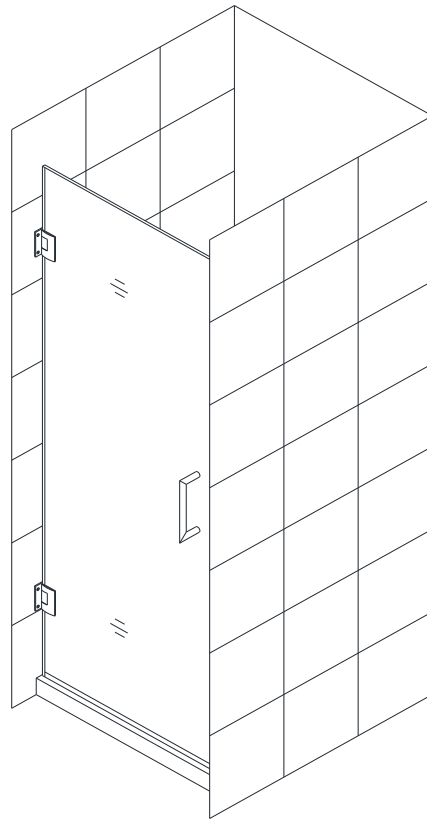


Fig. 10

**If the model includes additional panel glass,
refer to the manual that is packaged with
the panel glass to continue with the installation.**

Product Maintenance

BASES and BACKWALLS: To ensure long-lasting life for your acrylic back walls: wipe them off after each use with a soft cloth. To clean the acrylic back walls use non-abrasive sprays or cream based cleaners. Avoid the use of aerosol spray cleaners. Never use abrasive cleansers, metal brushes or scrapers that could scratch or dull the surface.

GLASS: To ensure long-lasting life for your glass shower products: wipe them off after each use with a soft cloth. Rinse and wipe off the glass using either a soft cloth or a squeegee to prevent soap buildup and water spots (Hard water can etch the surface of the glass over time if left to dry). To prevent scratching the surface: never use abrasive cleaners or cleaning products that contain scouring agents. Never use bristle brushes or abrasive sponges that may scratch the surface.

HARDWARE: To ensure a long-lasting finish: wipe off the metal parts after each use with a soft cloth. Do not use abrasive cleaners or cleaning products containing ammonia, bleach or acid. If accidentally used, rinse the surface as soon as possible to prevent damage to the finish (peeling or corrosion). After cleaning the polished finishes, rinse thoroughly and wipe dry with a soft cloth. Clean stainless steel surfaces at least once a week. When applying stainless steel cleaner or polish to stainless steel hardware, work with (not across) the grain. Never use an abrasive sponge or cloth, steel wool or wired brush as these may permanently scratch the surfaces.

NOTE: To maximize the life of your door, it is important to regularly inspect the glass and other hardware for misalignment, proper attachment, and/or damage. Contact DreamLine® with any questions or concerns.

DreamLine® shower doors and enclosures are designed not to leak when installed properly and the flow of water is not pointed directly at the wall-mounted hinges or vinyl seals.



TEL: [866-731-2244](tel:866-731-2244)

FAX: [866-857-3638](tel:866-857-3638)

DREAMLINE.COM

For more information on [DreamLine® Shower Doors](#) and [Enclosures](#) please visit DreamLine.com

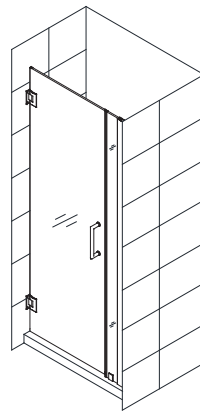
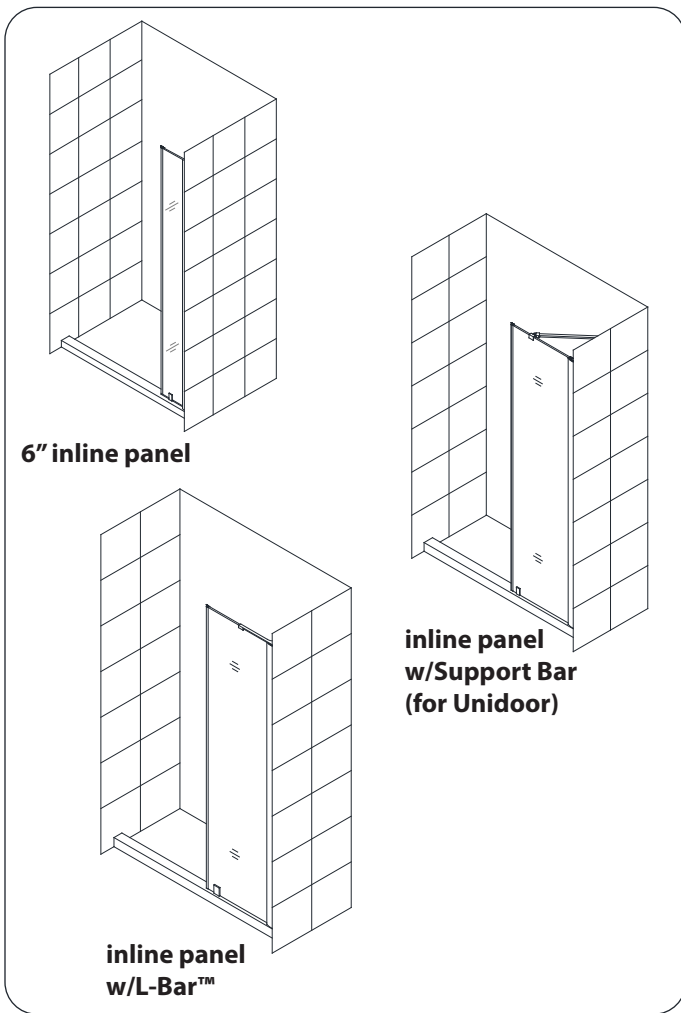
INLINE PANEL - STYLE B

INLINE PANEL INSTALLATION INSTRUCTIONS

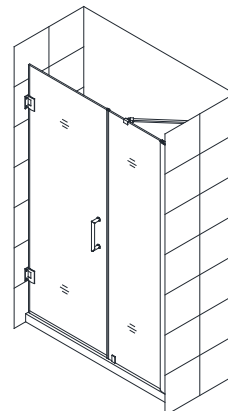
IMPORTANT

DreamLine® reserves the right to alter, modify or redesign products at any time without prior notice. For the latest up-to-date technical drawings, manuals, warranty information or additional details please refer to your model's web page on DreamLine.com

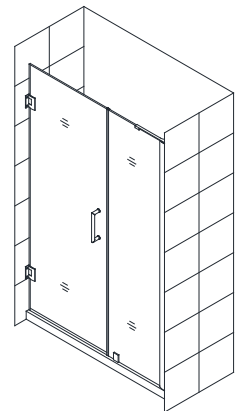
This inline panel is used with the following models:



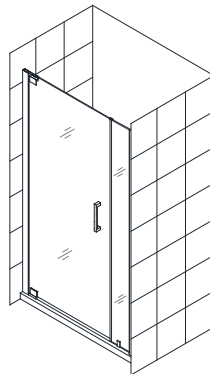
UNIDOOR Style B w/6" panel



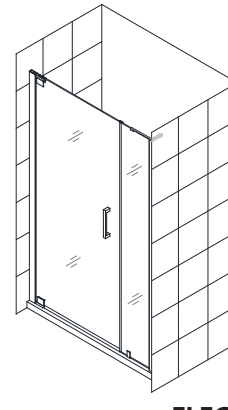
UNIDOOR Style B w/Support Bar



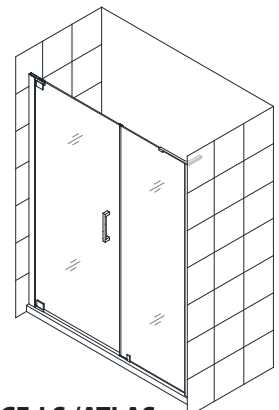
UNIDOOR -LS Style B w/L-Bar™



ELEGANCE-LS / ATLAS Style B w/6" panel



ELEGANCE-LS / ATLAS Style B w/L-Bar™



Right-side inline panel installation shown

Please review this entire manual prior to installation.



Questions?

Please Call **DreamLine Customer Support: 1-855-831-2126**
Hours of Operation M-F 8AM - 7PM EST and Saturday 9AM - 5PM EST

Support@DreamLine.com



For more information about DreamLine® Shower Doors, Tub Doors & Enclosures, please visit DreamLine.com

Model #s

UNIDOOR - Style B w/ 6" inline

MODEL #s

SHDR-20297210-##
SHDR-20307210-##
SHDR-20317210-##
SHDR-20327210-##
SHDR-20337210-##
SHDR-20347210-##
SHDR-20357210-##
SHDR-20367210-##

UNIDOOR - Style B inline w/ Support Bar

MODEL #s

SHDR-20417210C-##
SHDR-20427210C-##
SHDR-20437210-##
SHDR-20447210-##
SHDR-20457210-##
SHDR-20467210-##
SHDR-20477210-##
SHDR-20487210-##
SHDR-20477210C-##
SHDR-20487210C-##
SHDR-20497210-##
SHDR-20507210-##
SHDR-20517210-##
SHDR-20527210-##
SHDR-20537210-##
SHDR-20547210-##
SHDR-20537210C-##
SHDR-20547210C-##
SHDR-20557210-##
SHDR-20567210-##
SHDR-20577210-##
SHDR-20587210-##
SHDR-20597210-##
SHDR-20607210-##

UNIDOOR - Style B inline w/L-Bar™

MODEL #s

SHDR-2035723-##
SHDR-2036723-##
SHDR-2037722-##
SHDR-2038722-##
SHDR-2039722-##
SHDR-2040722-##
SHDR-2041722-##
SHDR-2042722-##
SHDR-2041723-##
SHDR-2042723-##
SHDR-2043722-##
SHDR-2044722-##
SHDR-2045722-##
SHDR-2046722-##
SHDR-2047722-##
SHDR-2048722-##
SHDR-2047723-##
SHDR-2048723-##
SHDR-2049722-##
SHDR-2050722-##
SHDR-2051722-##
SHDR-2052722-##
SHDR-2053722-##
SHDR-2054722-##
SHDR-2053723-##
SHDR-2054723-##
SHDR-2055722-##
SHDR-2056722-##
SHDR-2057722-##
SHDR-2058722-##
SHDR-2059722-##
SHDR-2060722-##

ELEGANCE-LS / ATLAS - Style B w/ 6" inline

MODEL #s

SHDR-4325060-##
SHDR-4327060-##
SHDR-4328060-##
SHDR-4330060-##
SHDR-4332060-##
SHDR-4334060-##
SHDR-4335060-##

ELEGANCE-LS / ATLAS - Style B inline w/L-Bar™

MODEL #s

SHDR-4325120-##
SHDR-4327120-##
SHDR-4328120-##
SHDR-4330120-##
SHDR-4332120-##
SHDR-4334120-##
SHDR-4335120-##
SHDR-4325180-##
SHDR-4327180-##
SHDR-4328180-##
SHDR-4330180-##
SHDR-4332180-##
SHDR-4334180-##
SHDR-4335180-##
SHDR-4325240-##
SHDR-4327240-##
SHDR-4328240-##
SHDR-4330240-##
SHDR-4332240-##
SHDR-4334240-##
SHDR-4335240-##
SHDR-4325300-##
SHDR-4327300-##
SHDR-4328300-##
SHDR-4330300-##
SHDR-4332300-##
SHDR-4334300-##
SHDR-4335300-##

= Finish

01- Chrome
04- Brushed Nickel
06- Oil Rubbed Bronze
09- Satin Black



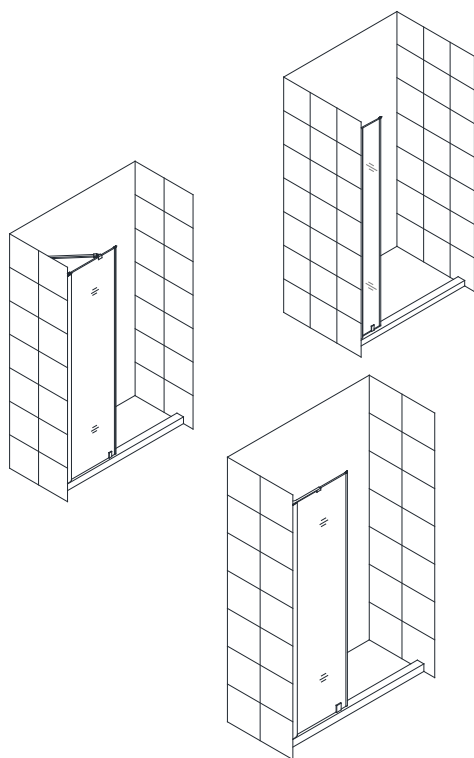
This model is treated with DreamLine's exclusive ClearMax™ Glass technology. This is a specially formulated coating that prevents the buildup of soap and water spots.

Install the surface with the ClearMax™ label towards the inside of the shower. Please note that depending on the model, the glass may be coated on either one or both surfaces.

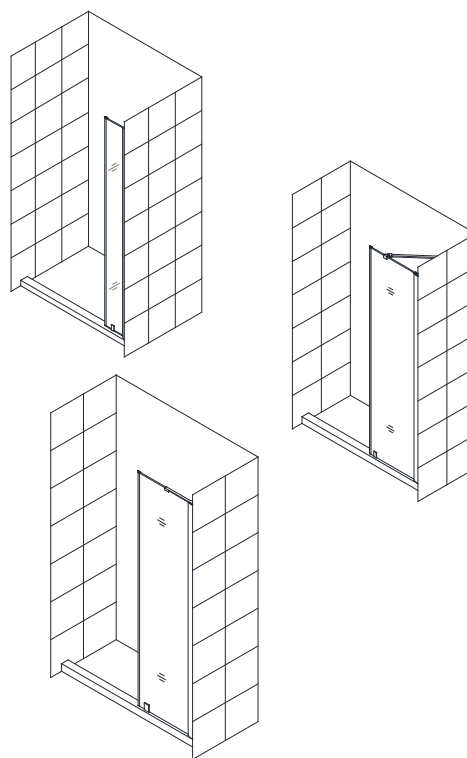
For best results, squeegee the glass after each use and dry with a soft cloth.

Table of Contents

Section title	Page #
Preparation	2
Tools	3
Detailed Diagram of Shower Panel Components	4
Parts List	5
Adjustable Wall Profile System	6
Installation Steps	7-16
Vinyl Seals	9
Support Bar Installation	13
L-Bar Assembly	14
Product maintenance	17



Left-side inline panel installation



Right-side inline panel installation



NOTE: This model is reversible for right or left-side panel installation. The right-side panel installation is shown as an example throughout this manual. For the left-side panel installation, simply begin on the opposite wall and reverse the orientation of the steps shown.

Preparation

1. Prior to installation, examine all boxes and packages for shipping damage and compare the piece count with the packing slip. After opening all boxes and packages read this introduction carefully. Check that all of the necessary parts are included in the package by checking off the components on the "Detailed Diagram of Shower Panel Components". If the unit has been damaged, has a finishing defect, or has missing parts, please contact our customer support department within **3 business days** of the delivery date. **Please note that DreamLine® will not replace any damaged products or missing parts free of charge after 3 business days or if the product has been installed.** Contact DreamLine® if you have any questions, and please provide an order number, job name or other proof of purchase to help identify the original order.

2. **Please note that you should consult your local building codes with questions on installation compliance standards. Building and plumbing codes may vary by location, and DreamLine® is not responsible for code compliance standards for your project and will not accept any returns.**

3. If this unit is going to be installed in a new construction, please install all of the required plumbing and drainage before installing the shower. Use a competent and licensed (if required by local code) plumber for all plumbing installation

4. Make sure that prior to beginning the installation, the surfaces are leveled and solid and will be able to support the total weight of the unit. Also make sure the walls are at right angles. Irregular installation surface level, radius corners or improper angle of side walls will result in serious problems for your installation. Note that some adjustments and drilling will be necessary during the installation process.

5. Protect all primary surfaces of the product during installation. Never set the glass down directly onto a tile floor. Leave corner protectors in place until necessary to remove them. Always use a piece of wood or cardboard to protect the bottom edge and corners of the glass prior to and during installation.

6. **This unit must be installed upon a finished threshold and against finished walls.**

7. **This model requires that you drill into the threshold for proper installation.**

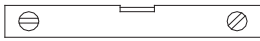
8. This model requires a minimum of **5/8"** of flat threshold space for installation.

9. **Professional installation recommended.**

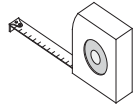


NOTE: DO NOT attach the handle to the door glass until instructed. **DO NOT** use the handle or towel bar to lift the glass during installation. This may result in damage to the glass and/or serious injury. Always use an assistant or a professional grade glass suction cup when handling heavy glass.

Tools



Level



Tape Measure



Pencil



Drill bit (Ø5/16") (8mm)



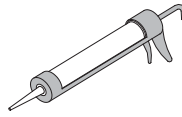
Drill bit (Ø1/8") (3mm)



Power Drill



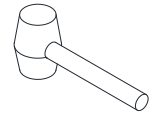
Phillips Screwdriver



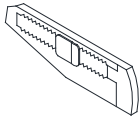
Silicone



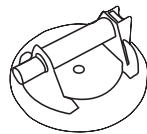
Soft Head Hammer



Mallet



Knife



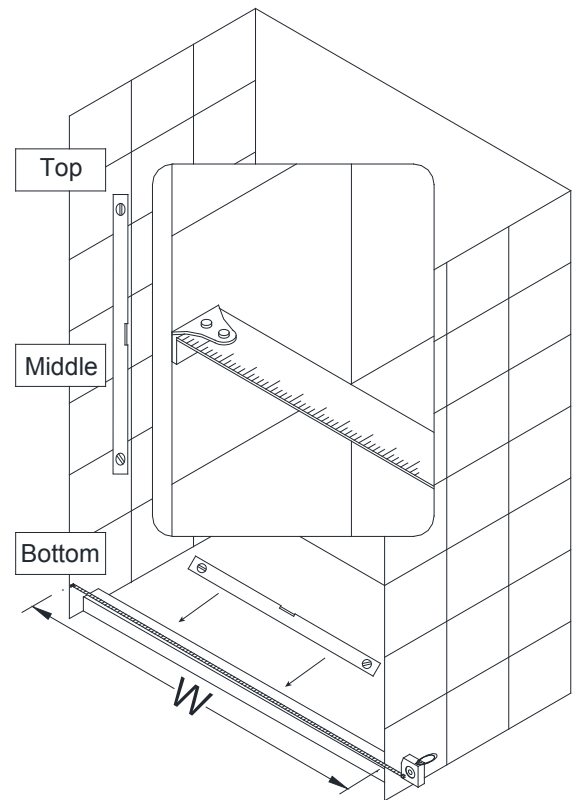
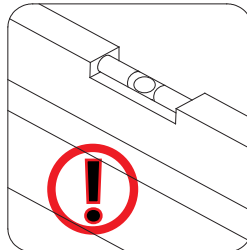
Professional-grade Glass suction cup

Tip: Measure the finished opening before proceeding with the installation to be sure that the correct model size has been ordered.

Tip: Prior to installation, cover the shower/tub drain with tape to prevent losing screws or small parts.

Tip: Set screw gun clutch to low setting when installing screws and bolts to prevent stripping the heads.

Threshold must be level

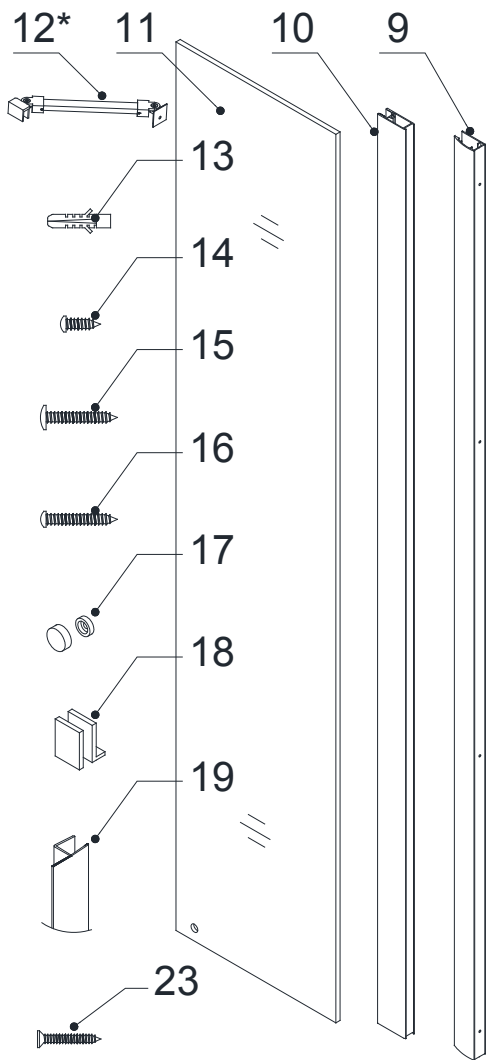


NOTE: Unpack your unit carefully and inspect it. Lay it out and identify all parts using the detailed diagram and packing list in this manual as a reference. Before discarding the carton, check for small hardware bags that may have fallen to the bottom of the box. If any parts are damaged or missing, please contact DreamLine® for replacement. The shipping boxes may contain extra parts not used in your model configuration.

NOTE: Retain these installation instructions for future reference.

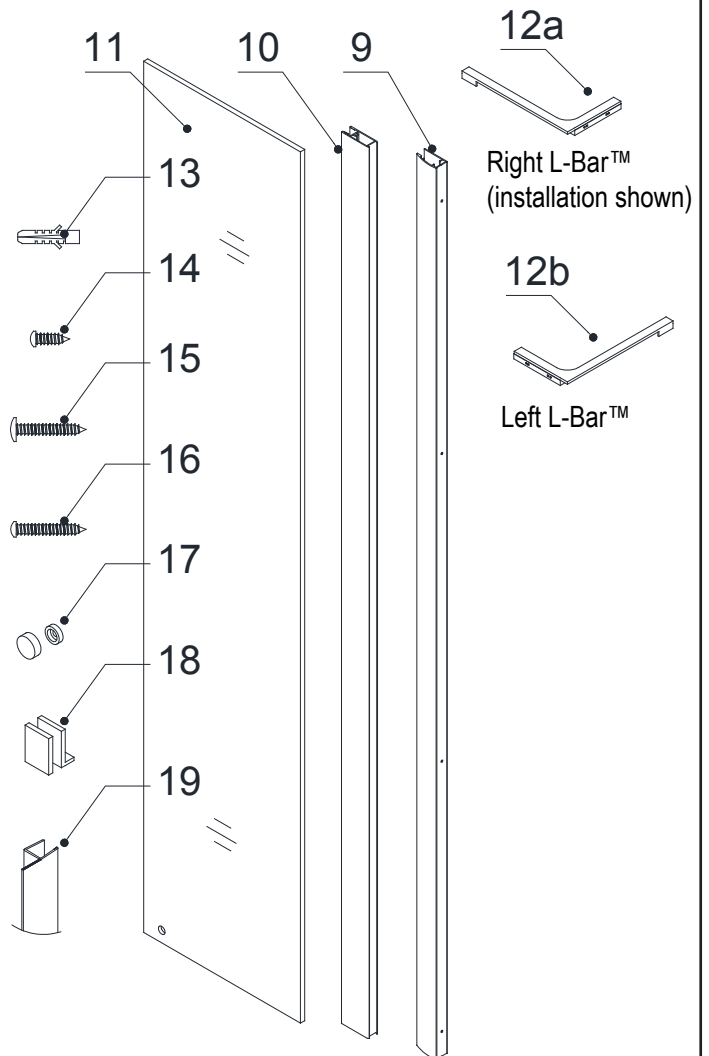
Detailed Diagram of Shower Panel components

Diagram A



*part#12 (Support Bar) not included with 6" inline panel

Diagram B



Right side panel installation shown (using Right L-Bar™)



The glass surface with the ClearMax™ label must be installed to face inside of the shower

Parts List

Diagram A

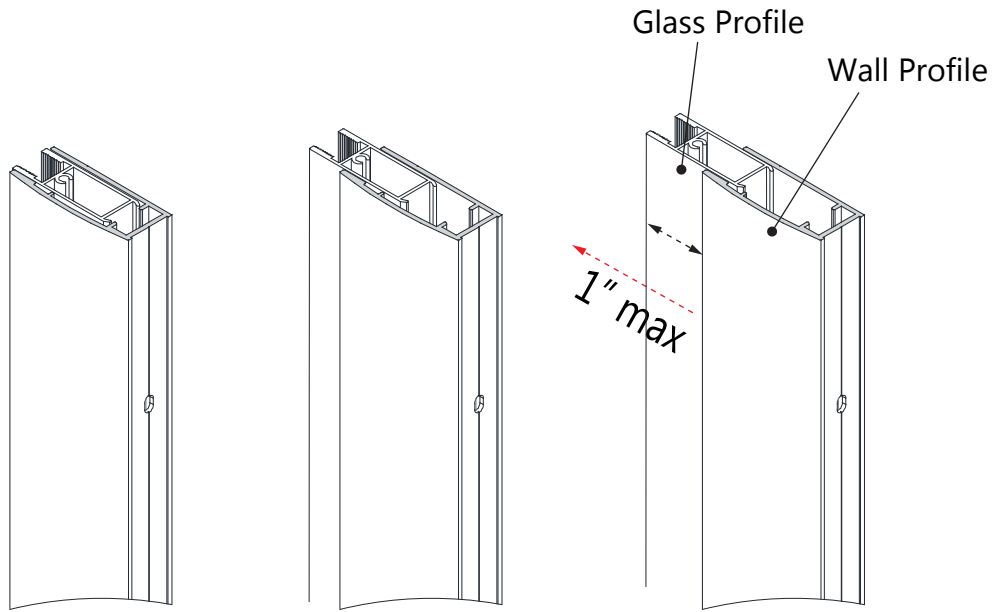
PART#	DESCRIPTION	QTY	PART#	DESCRIPTION	QTY
09	Wall profile	1pc	15	Truss head screw ST4.2x40	4pcs
10	Glass profile	1pc	16	Pan head screw ST4.2x35	1pc
11	Panel glass	1pc	17	Decorative screw cover and washer	4pcs
12*	Support bar *	1pc	18	Bottom bracket	1pc
13	Wall Anchor	4pcs	19	Anti-Water strip (inline)	1pc
14	Pan head screw ST4.2x10	3pcs	23	Countersunk screw ST4.2x40 *	1pc

*part#12 support bar is not included with models that use the 6" inline panel

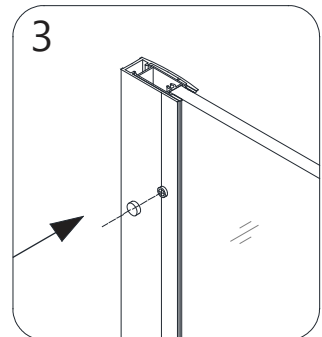
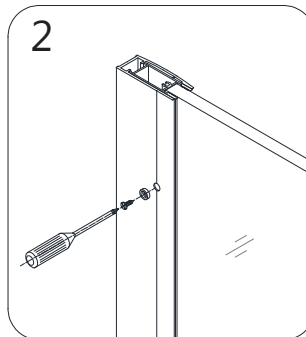
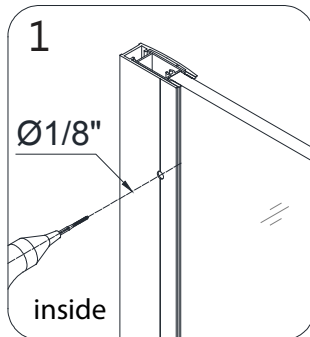
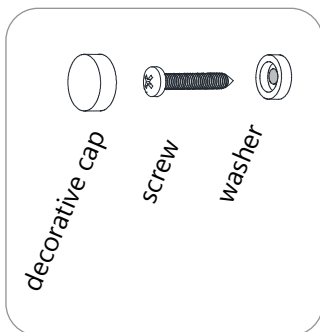
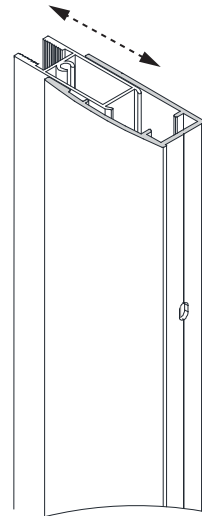
Diagram B

PART#	DESCRIPTION	QTY	PART#	DESCRIPTION	QTY
09	Wall profile	1pc	15	Truss Head screw ST4.2x40	4pcs
10	Glass profile	1pc	16	Round head screw ST4.2x35	1pc
11	Panel Glass	1pc	17	Decorative screw cover amd washer	4pcs
12a/12b	L-Bar™ (Right and Left)	1set	18	Bottom bracket	1pc
13	Wall Anchor	4pcs	19	Anti-Water strip (inline)	1pc
14	Pan head screw ST4.2x10	3pcs			

Adjustable Wall Profile System



The Glass Profiles can be adjusted within the Wall Profiles for overall width or to correct for out-of-plumb conditions within the model size. Screw them together after making final adjustments.



Installation steps



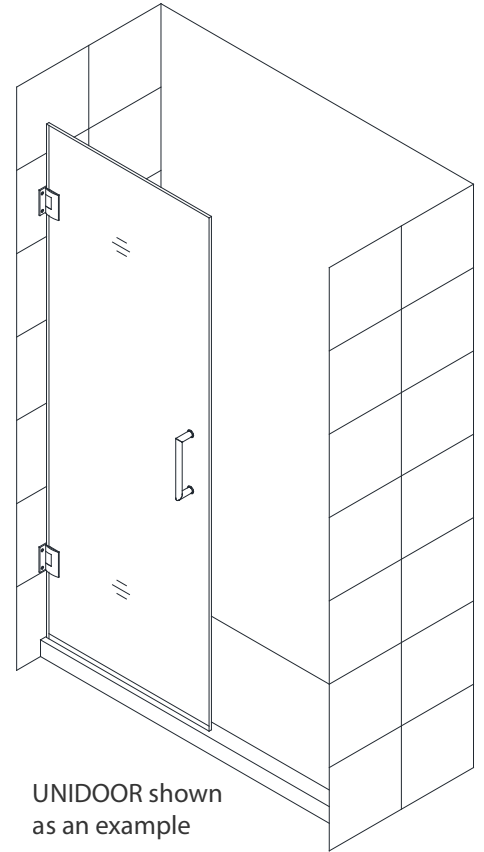
NOTE: The UNIDOOR or ELEGANCE shower door needs to be installed prior to proceeding with the following Panel Glass installation. Please see the Single Shower Door installation manual included in the door packaging for complete shower door installation instructions. Before beginning the installation, recheck the finished opening size. Specific model size information can be found on DreamLine.com.



NOTE: The Unidoor and Elegance hinges are factory set to over close 8°. The following procedure is recommended to ensure proper alignment of the panel glass and door glass.



NOTE: The left-swing Unidoor door installation is shown as an example throughout this manual. Use the same method for aligning the door and panel for the Elegance door and inline panel installation.



UNIDOOR shown as an example

1. Align the **Door** so that it is perpendicular to the wall and parallel with the outside of the threshold. Mark a line on the threshold for reference. Open the door to allow space for the panel installation. **(Fig 1)**

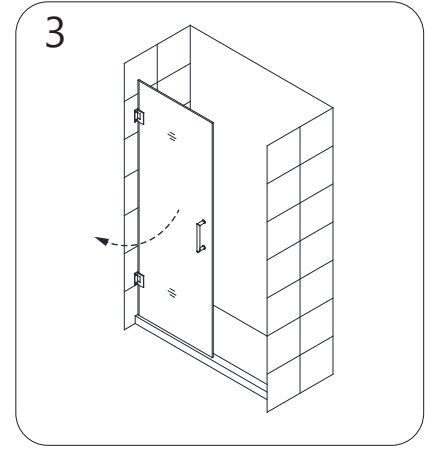
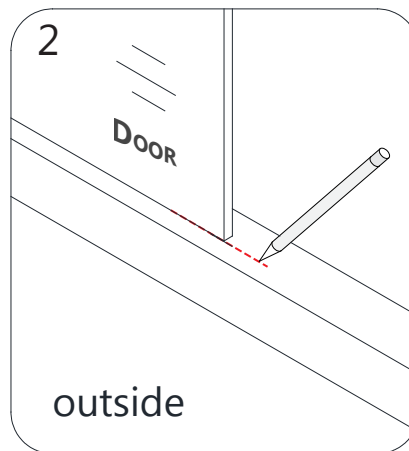
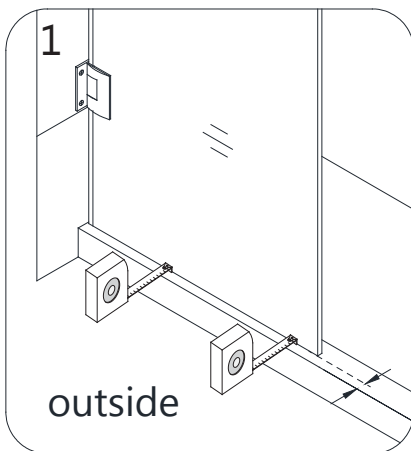


Fig 1

2. Apply clear silicone into the entire length of the channel of the **Glass Profile (#10)** and attach it to the edge of the **Panel Glass (#11)**. Make sure the **Glass Profile (#10)** is flush with the top and bottom of the **Panel Glass (#11)**.

Insert the **Panel Glass (#11)** with the attached **Glass Profile (#10)** into the **Wall Profile (#09)**. (Fig 2)



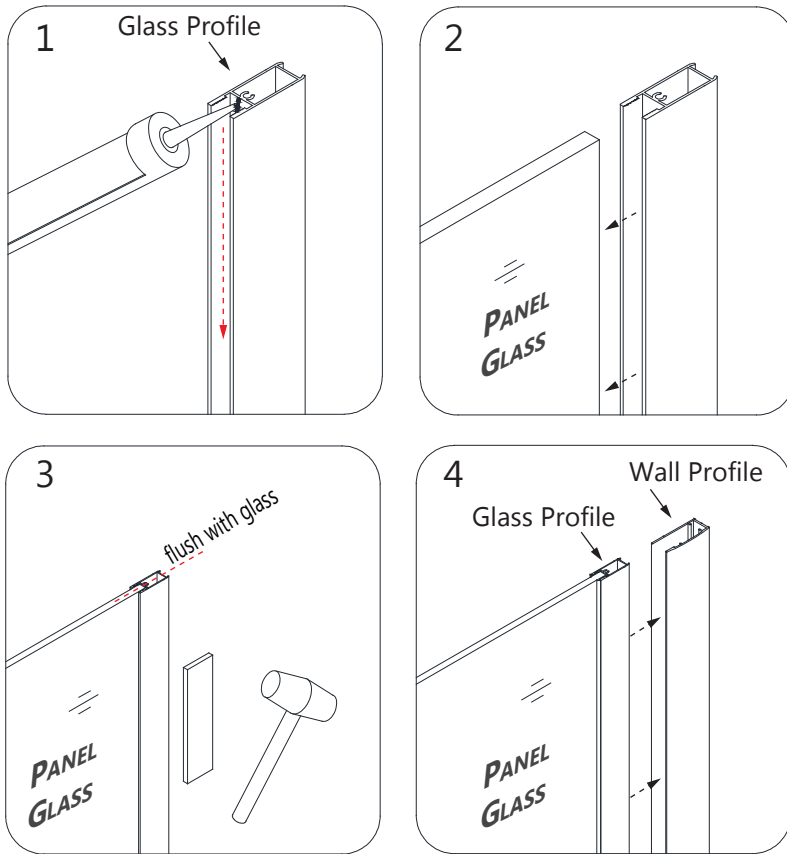
ATTENTION: Please note that the bottom hole in the corner of the Panel Glass must be opposite from the Glass Profile.



NOTE: If the Glass Profile fit is too tight over the Panel Glass, use a rubber mallet and a piece of wood to gently tap on the glass profile. Never use a metal hammer or hit the profile without a wood bumper.

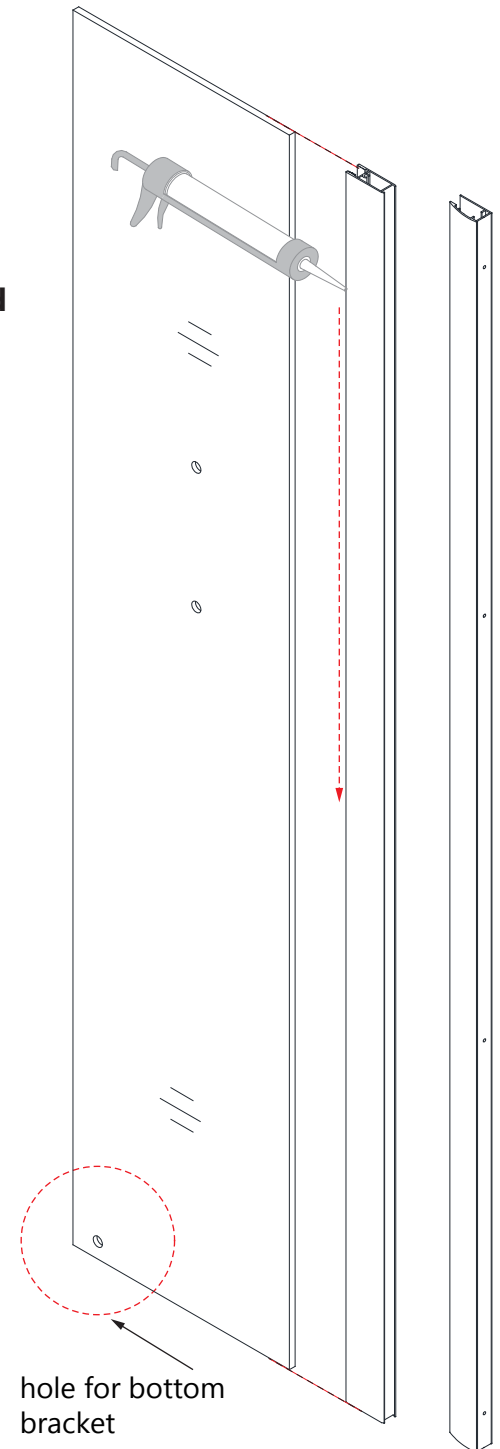


If possible, allow the silicone to cure before handling the assembled panel.



If necessary, use a rubber mallet to tap on the glass profile

Fig 2



3. Press the **Anti-Water Strip (inline) (#19)** onto the vertical edge of the **Panel Glass (#11)**. (This will protect the edge of the panel glass and allow for proper spacing with the door glass). Attach the **Bottom Bracket (#18)** through the bottom hole of the **Panel Glass (#11)**. **(Fig 3)**

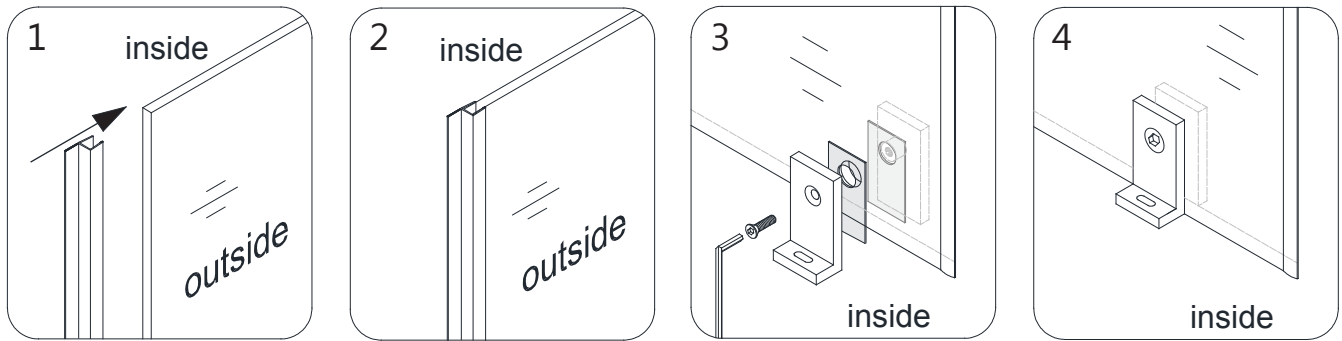


Fig 3

4. Carefully position the **assembled panel** onto the threshold and against the wall. Push the **Wall Profile (#09)** tight to the wall while holding the panel tight to the threshold. **(Fig 4)**



Use Caution not to bang the glass onto the threshold.

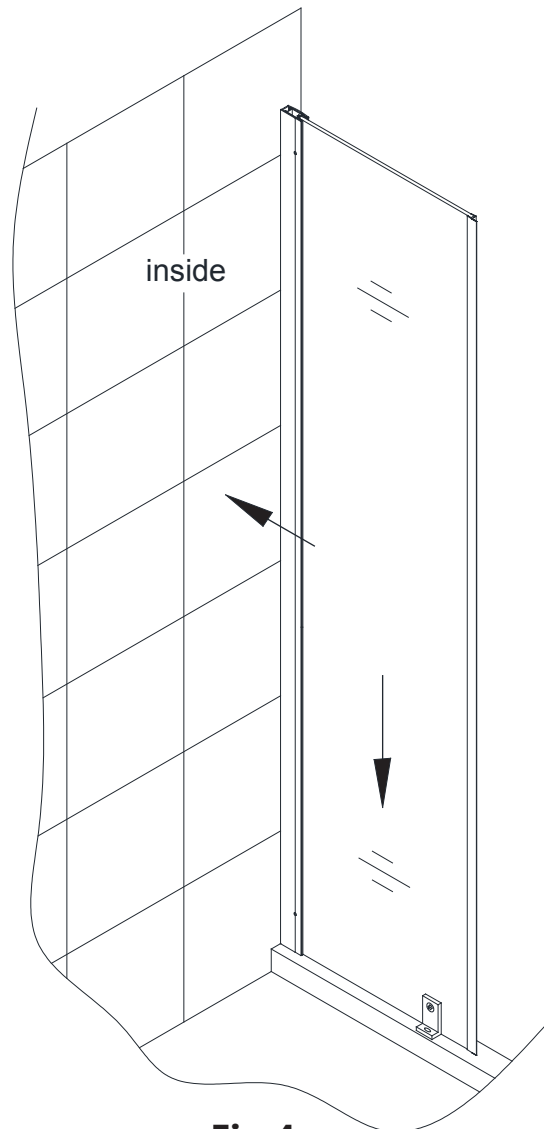


Fig 4

5. Close the **Door** and align the **Panel Glass (#11)** with the **Door**. Use the reference mark on the threshold (from **Step #1**) to confirm that the **Door** is perpendicular to the wall.

If necessary, adjust the position of the **Panel Glass (#11)** so that the **Anti-Water Strip (inline) (#19)** makes contact with the **Door Glass** from top to bottom and creates a seal.

- Mark the wall along the inner edge of the **Wall Profile (#09)**.
- Mark the drilling hole onto the threshold through the hole in the **Bottom Bracket (#18)**. (**Fig 5**)



The two-piece wall profile system (consisting of the glass profiles and wall profiles) will allow for overall width and/or out-of-plumb adjustment within the model size. See page 6 for details.

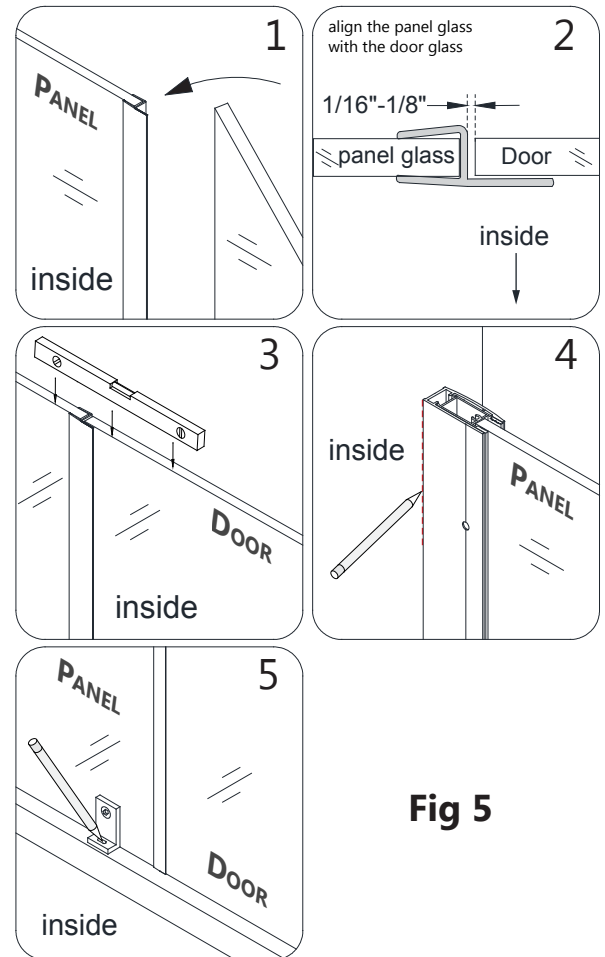
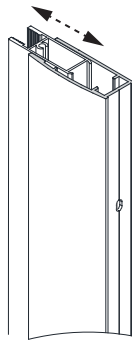


Fig 5

6. Remove the **Wall Profile (#09)** from the **Panel Glass (#11)** and **Glass Profile (#10)** assembly. Place the **Wall Profile (#09)** back onto the outlined position on the wall and mark the holes for drilling through the predrilled holes in the **Wall Profile (#09)**.

Drill the holes in the wall using a **Ø5/16"** drill bit and insert the **Wall Anchors (#13)**.

Apply silicone along the back of the **Wall Profile (#09)** and around the holes on the wall.

Fasten the **Wall Profile (#09)** to the wall with the **Truss Head Screw ST4.2×40 (#15)**. (**Fig 6**)



Use Caution not to pull the Glass Profile (#10) off of the Panel Glass (#11).

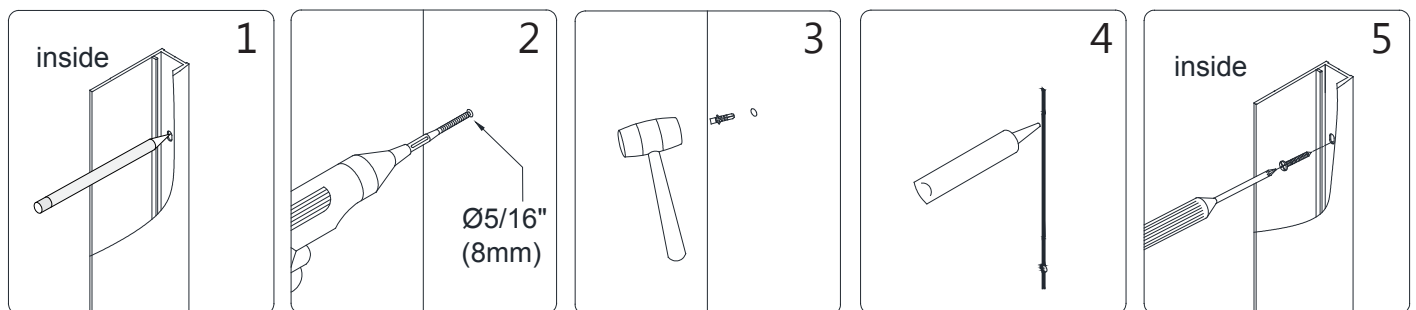


Fig 6



Double check the alignment and spacing of the panel glass with the door glass before drilling into the threshold for the bottom bracket.

7. Drill a hole for the **Bottom Bracket (#18)** into the threshold at the mark that was made in Step #5.
 ** Use an **Ø1/8"** drill bit for installation into an acrylic base OR use a **Ø5/16"** drill bit and an anchor for installation into a tile threshold. Use the **Pan Head Screw ST4.2x35 (#16)** along with a raised white washer to attach the **Bottom Bracket (#18)** to the threshold and snap on the **Decorative Screw Cover (#17)**. (Fig 7a and Fig 7b)

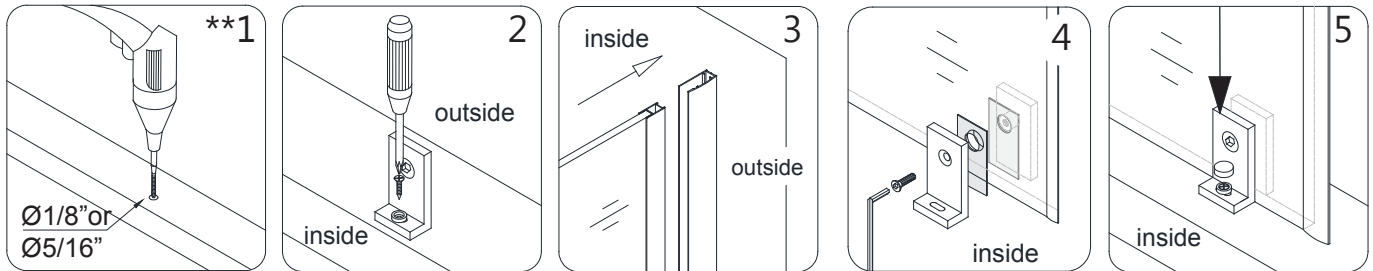
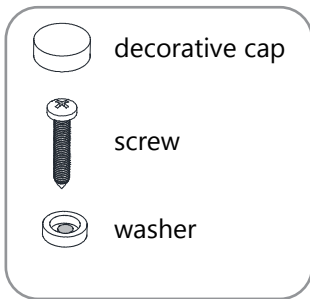


Fig 7a



***NOTE:**

▪ For installation into an **Acrylic Threshold:**
 drill a **Ø1/8" (3mm)** hole and use the **Pan Head Screw ST4.2 x 35mm (#16)**

OR

▪ For installation into a **Tile Threshold:**
 drill a **Ø5/16" (8mm)** hole, install a **Wall Anchor 5/16" (#13)** and use the **Pan Head Screw ST4.2 x 35mm (#16)**

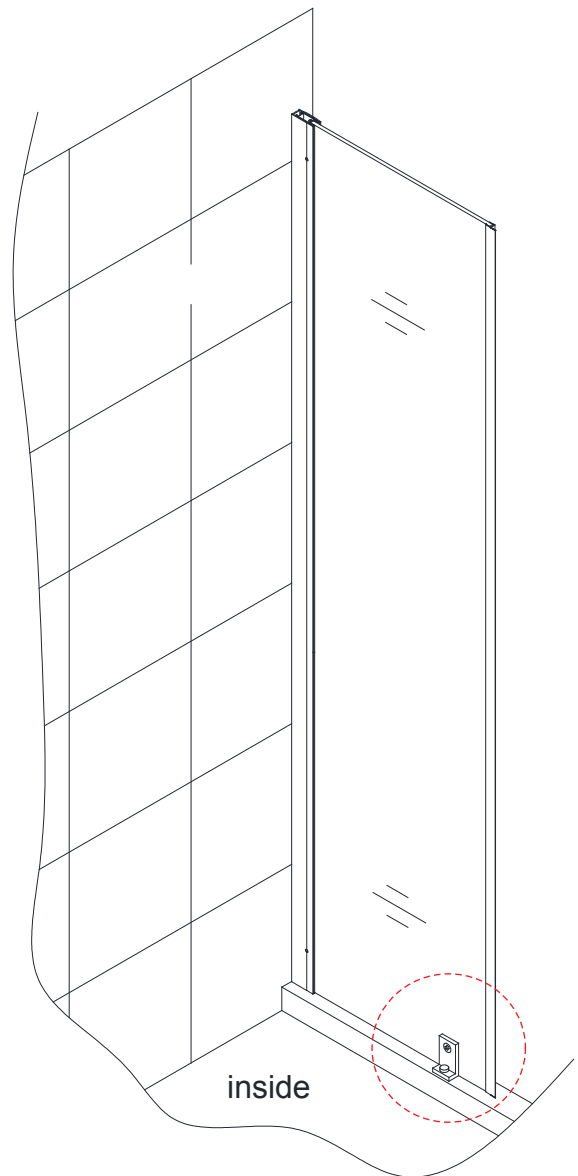


Fig 7b

8. Recheck the alignment and spacing of the **Door Glass** and **Panel Glass (#11)** and test the operation of the Door. After final adjustments of the **Panel Glass (#11)** drill holes into the **Glass Profile (#10)** through the predrilled holes in the **Wall Profile (#09)** using an $\text{Ø}1/8''$ drill bit. Use the **Pan Head Screws ST4.2×10 (#14)** and **Washers (#17)** to attach the **Wall Profile (#09)** to the **Glass Profile (#10)**. Cover the exposed screw heads with **Decorative Screw Cover (#17)**. (Fig 8)

! **NOTE:** Only drill through the first layer of the Glass Profile.

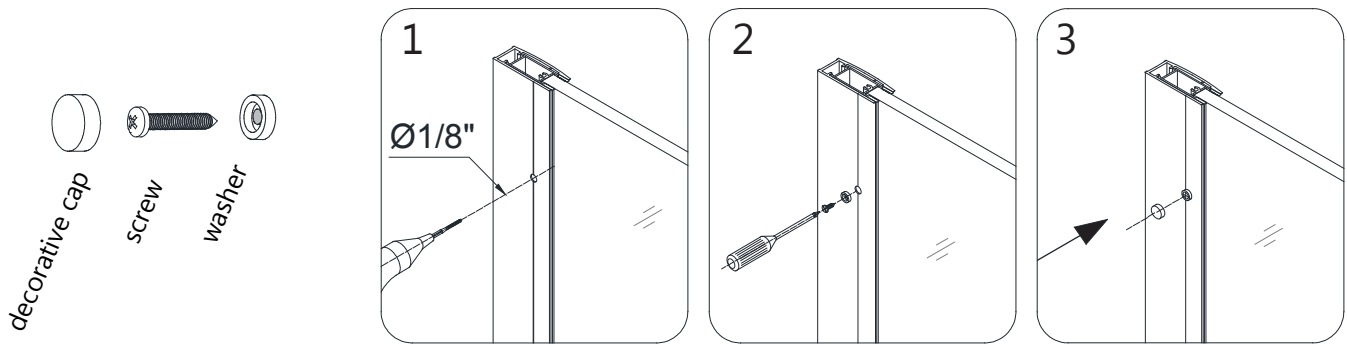


Fig 8

9. Apply a good quality mildew-resistant silicone along the connection of the **Wall Profile (#09)** to the wall and the panel glass to the threshold. (Fig 9a)

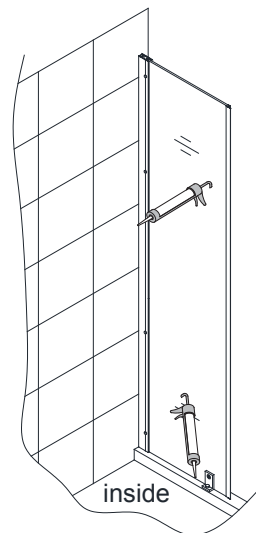


Fig 9a

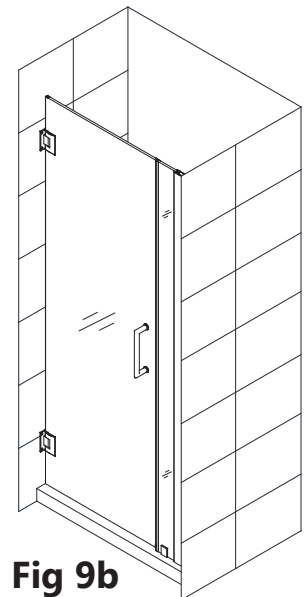


Fig 9b
Unidoor Style B
w/6" panel shown

! **If installing a model with a 6" stationary panel, no additional support is required and the installation is complete.** (Fig 9b)

! **If the Stationary Panel width is larger than 6" proceed to:**
 •Step#11 for the Support Bar installation
 or
 •Step#12 for the L-Bar™ installation.

The installation is not complete until the required Support Bar or L-Bar™ has been installed

Support Bar Assembly and Installation

10. Attach the **Support Bar (#12)** to the Panel Glass as shown.

- Adjust the **Support Bar (#12)** to a proper position on the glass and the wall (ideally at a 45° angle) and level it.
- Outline the Wall Bracket's position on the wall [Fig 10.2](#).
- Remove the Wall Bracket from the **Support Bar (#12)**.
- Place the Wall Bracket against its outlined position on the wall and mark the hole for drilling.
- Drill the hole using a **Ø5/16"** drill bit, insert the **Wall Anchor (#13)** and fasten the Wall Bracket to the wall with the **Countersunk Screw ST4.2×40 (#23)**.
- Attach the **Support Bar (#12)** to the Wall Bracket as shown on [Fig 10.7](#) and tighten the set screws and the glass holding screw to secure the glass. **(Fig 10)**

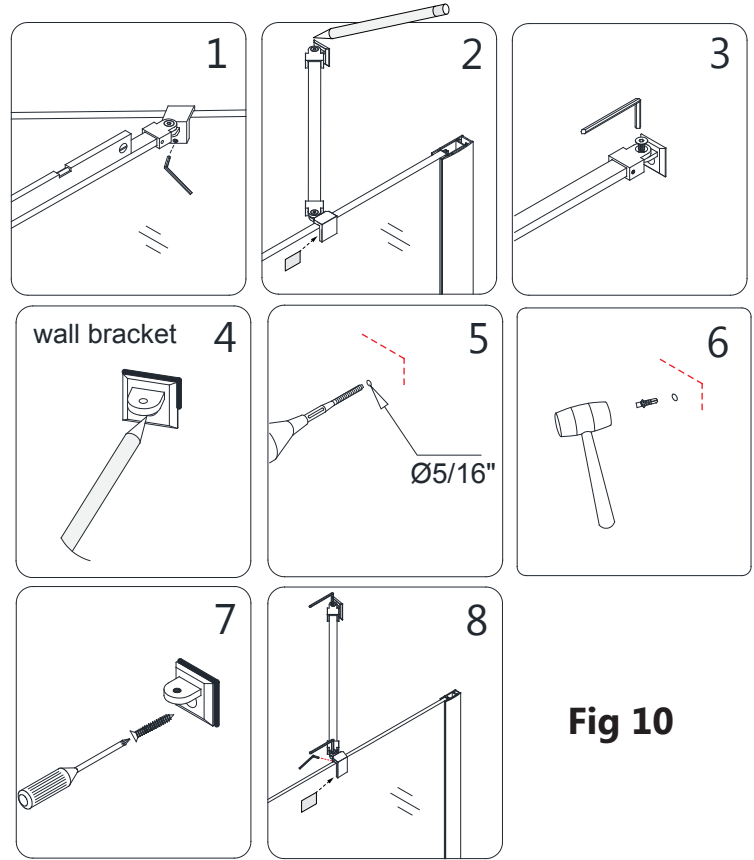
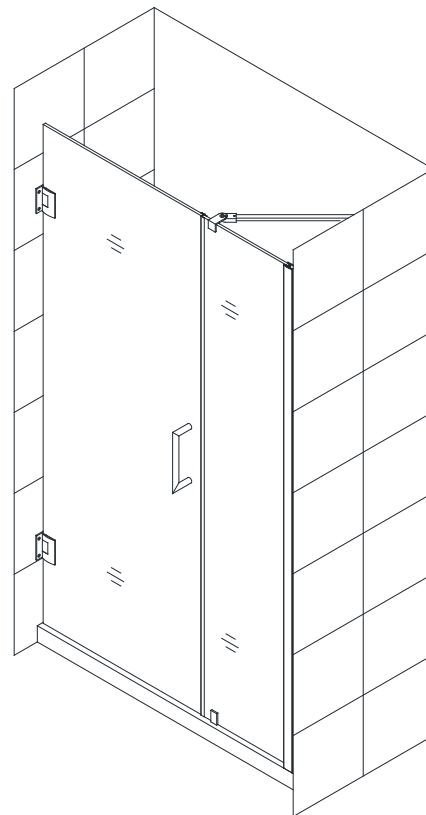


Fig 10



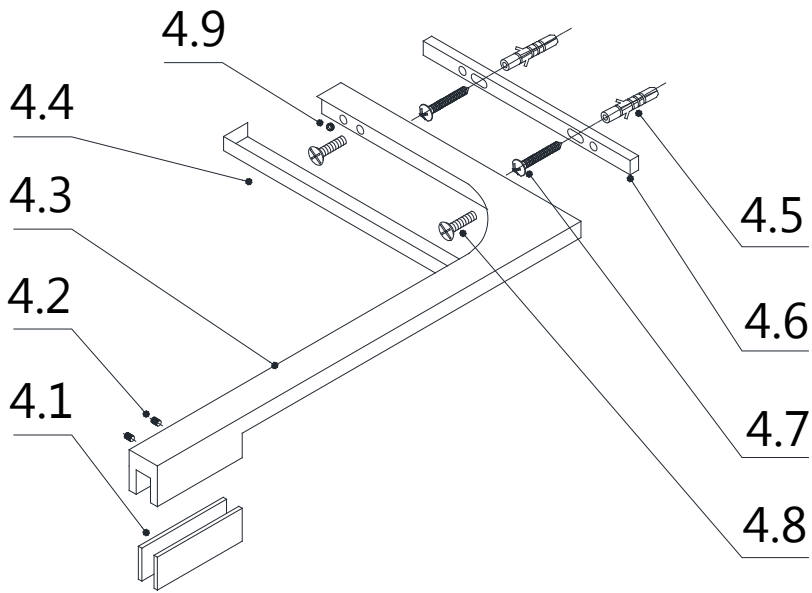
NOTE: Make sure that the rubber gasket and/or the rubber tipped set screw are in place when securing the Support Bar to the glass to prevent glass to metal contact.

**Unidoor Style B
with Support Bar**

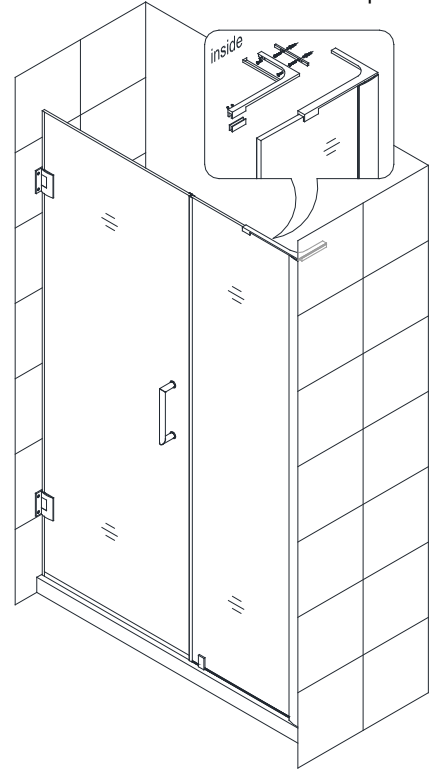


L-Bar™ Parts List Assembly

(Right L-Bar™ shown)



Right L-Bar™ installation shown as an example



Unidoor-LS -Style B

PART#	DESCRIPTION	QTY	PART#	DESCRIPTION	QTY
4.1	PVC spacer	2pcs	4.6	Wall Plate	1pc
4.2	M5 rubber tip set screw	2pcs	4.7	Truss Head Screw ST4.2x40	2pcs
4.3	L-Bar™(Right-hand shown)	1pc	4.8	Flat Head Screw M5x14	2pcs
4.4	Decorative cover	1set	4.9	Wall Plate adjustment set screw	2pcs
4.5	Ø5/16" Wall Anchor	2pcs			

11. Position the **L-Bar™ assembly (#4.3)** onto the **Panel Glass** as shown (**Fig 11.1**). Be sure the gaskets are in place to protect the glass. Make it level and mark the position on the wall. Remove the **Decorative Cover (#4.4)** and **Wall Plate (#4.6)** from the **L-Bar™**. Position the **Wall Plate (#4.6)** on the marks on the wall and adjust for level. Mark the holes for drilling through the wider, untapped holes (**Fig 11.3**). Drill two **Ø5/16" (8mm)** holes and insert the **Ø5/16" Wall Anchors (#4.5)**. (**Fig 11**)



NOTE: When marking the **L-Bar™** location on the wall, leave the **Decorative Cover** attached to allow space to re-attach the **Decorative Cover** after installation.

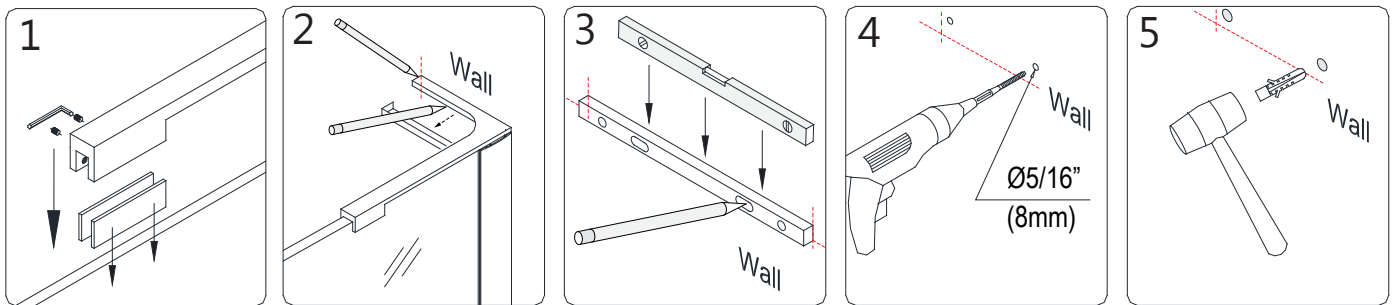


Fig 11

12. Attach the **Wall Plate (#4.6)** to the wall using the **ST4.2 x 40 Truss Head Screws (#4.7)**. Re-attach the **L-Bar™ (#4.3)** to the **Wall Plate (#4.6)** using the **Flat Head Screw M5x14 (#4.8)**. Adjust the angle of the **L-Bar™** if necessary by using the **Wall Plate Adjustment Set Screws (#4.9)**. (**Fig 12**)

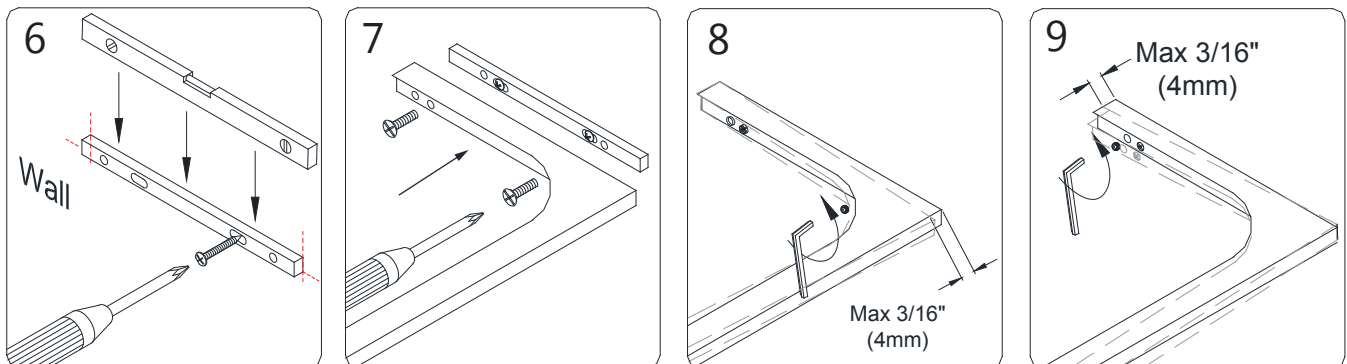


Fig 12

13. Adjust the **Stationary Panel Glass** to plumb if necessary and tighten the screws. Attach the **Decorative Cover (#4.4)** to the **L-Bar™ (#4.3)**. Firmly secure the **L-Bar™ (#4.3)** to the top of the **Panel Glass** using the clear gasket and rubber-tipped set screws. **(Fig 13)**

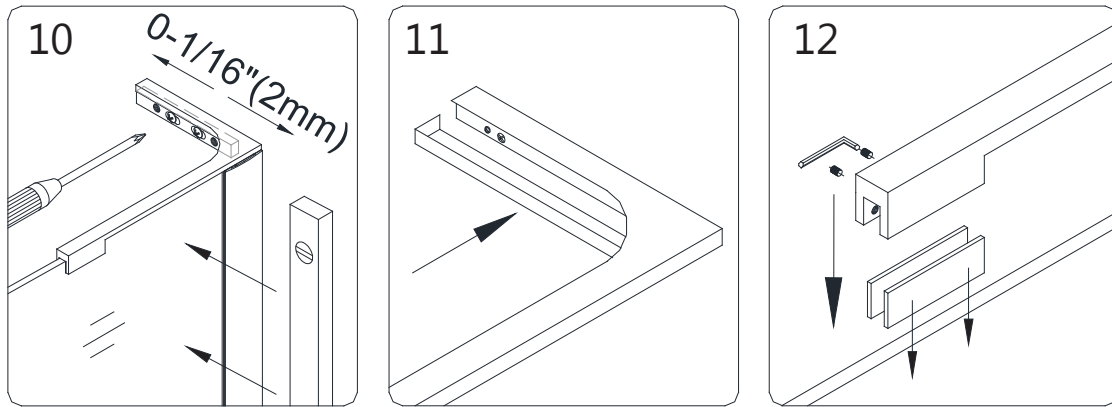


Fig 13

14. Apply a good quality mildew-resistant silicone along the connection of the **Wall Profile** to the wall and the **Panel Glass** to the threshold. **(Fig 14)**



Allow 24 hours for the silicone to fully cure before using the shower.

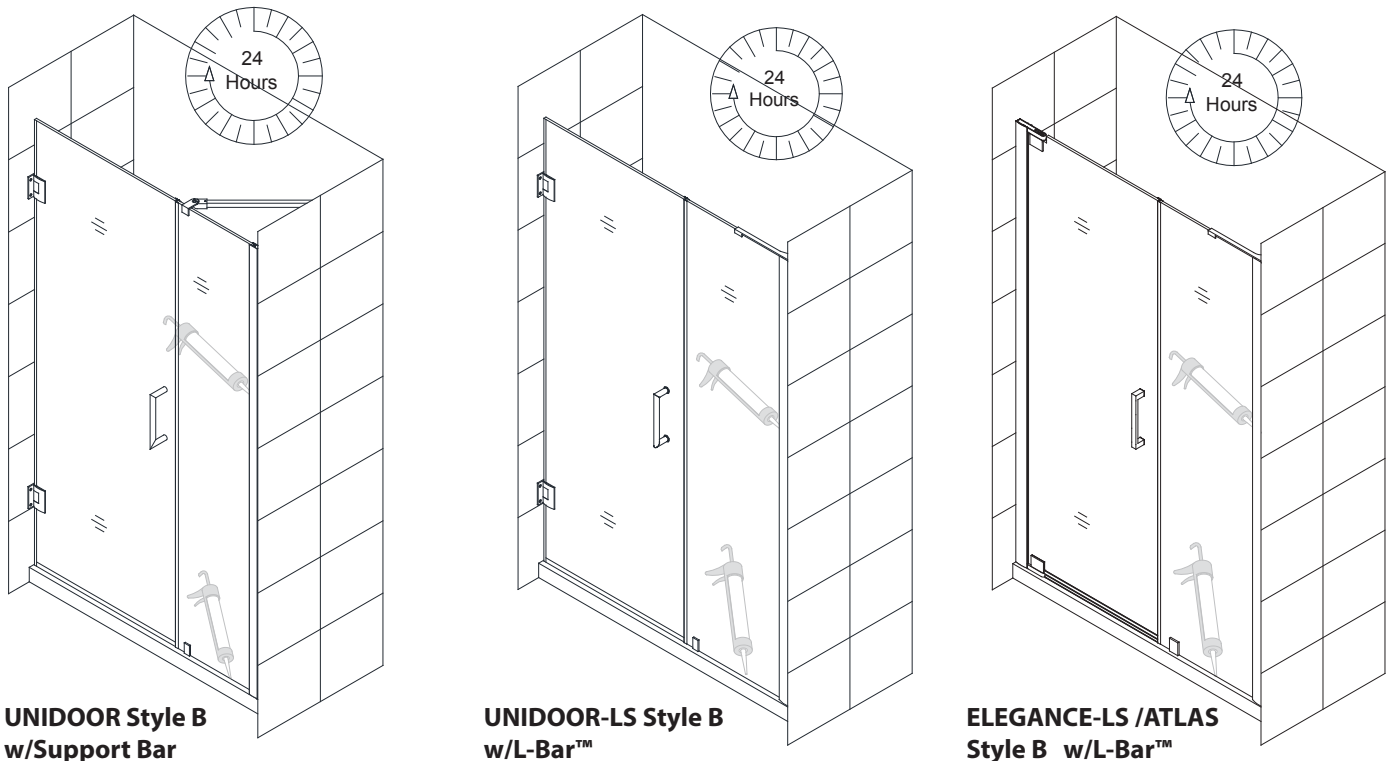


Fig 14

Product Maintenance

BASES and BACKWALLS: To ensure long-lasting life for your acrylic back walls, wipe them off after each use with a soft cloth. To clean the acrylic back walls use non-abrasive sprays or cream based cleaners. Avoid the use of aerosol spray cleaners. Never use abrasive cleansers, metal brushes or scrapers that could scratch or dull the surface.

GLASS: To ensure long-lasting life for your glass shower products, wipe them off after each use with a soft cloth. Rinse and wipe off the glass using either a soft cloth or a squeegee to prevent soap buildup and water spots (Hard water can etch the surface of the glass over time if left to dry). To prevent scratching the surface: never use abrasive cleaners or cleaning products that contain scouring agents. Never use bristle brushes or abrasive sponges that may scratch the surface.

HARDWARE: To ensure a long-lasting finish, wipe off the metal parts after each use with a soft cloth. Do not use abrasive cleaners or cleaning products containing ammonia, bleach or acid. If accidentally used, rinse the surface as soon as possible to prevent damage to the finish (peeling or corrosion). After cleaning the polished finishes, rinse thoroughly and wipe dry with a soft cloth.

Clean stainless steel surfaces at least once a week. When applying stainless steel cleaner or polish to stainless steel hardware, work with (not across) the grain. Never use an abrasive sponge or cloth, steel wool or wired brush as these may permanently scratch the surfaces.

NOTE: To maximize the life of your door, it is important to regularly inspect the glass and all hardware for misalignment, proper attachment, and/or damage. Contact DreamLine® with any questions or concerns.

DreamLine® shower doors and enclosures are designed not to leak when installed properly and the flow of water is not pointed directly at the hinges or vinyl seals.



TEL: 866-731-2244
FAX: 866-857-3638
DREAMLINE.COM

For more information on DreamLine[®] Shower Doors and Enclosures please visit **DreamLine.com**