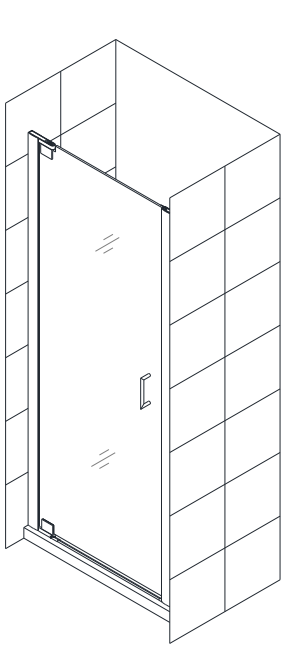


ELEGANCE

SHOWER DOOR/ENCLOSURE INSTALLATION INSTRUCTIONS

IMPORTANT

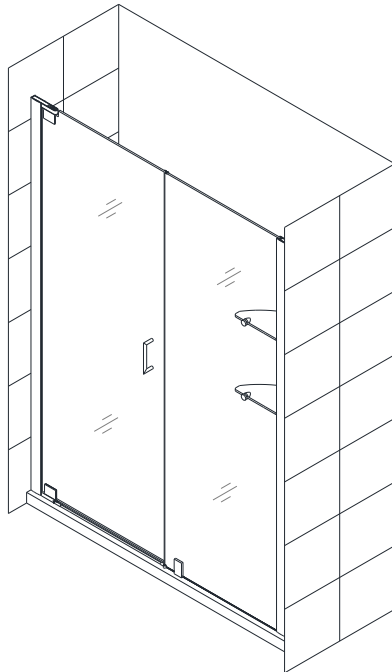
DreamLine® reserves the right to alter, modify or redesign products at any time without prior notice. For the latest up-to-date technical drawings, manuals, warranty information or additional details please refer to your model's web page on **DreamLine.com**



Style A

Model #s

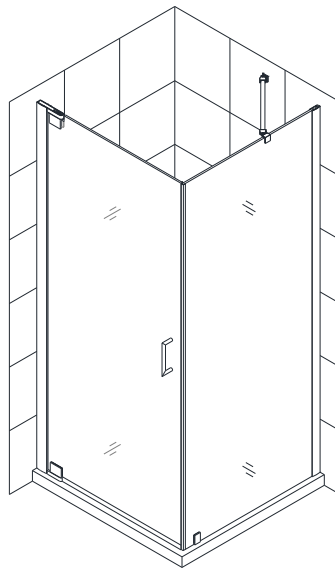
SHDR-4127720-##
 SHDR-4128720-##
 SHDR-4130720-##
 SHDR-4132720-##
 SHDR-4134720-##
 SHDR-4135720-##



Style B

Model #s

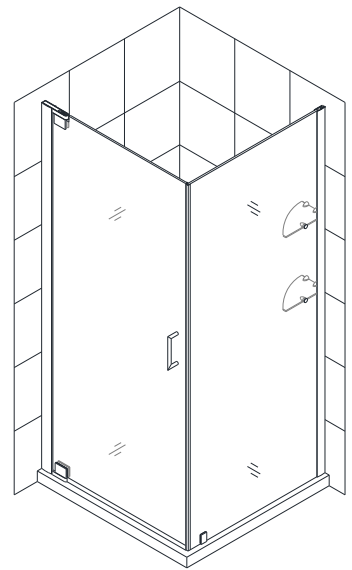
SHDR-4137720-## SHDR-4139720-##
 SHDR-4140720-## SHDR-4142720-##
 SHDR-4144720-## SHDR-4146720-##
 SHDR-4147720-## SHDR-4149720-##
 SHDR-4151720-## SHDR-4152720-##
 SHDR-4154720-## SHDR-4156720-##
 SHDR-4158720-## SHDR-4159720-##



Style C

Model #s

SHEN-4130300-##
 SHEN-4134300-##
 SHEN-4130320-##
 SHEN-4134320-##
 SHEN-4130340-##
 SHEN-4134340-##



Style D

Model #s

SHEN-4130301-##
 SHEN-4134301-##
 SHEN-4130321-##
 SHEN-4134321-##
 SHEN-4130341-##
 SHEN-4134341-##

= finish: 01= chrome 04 = brushed nickel

Left hand installations shown

Questions?

Please Call DreamLine Customer Support: **1-855-831-2126**
 Hours of Operation M-F 8AM - 7PM EST and Saturday 9AM - 5PM EST

Support@DreamLine.com

For more information about DreamLine® products please visit www.DreamLine.com



This model is treated with DreamLine's exclusive ClearMax™ Glass technology. This is a specially-formulated coating that prevents the build up of soap and water spots.

Install the surface with the ClearMax™ label towards the inside of the shower. Please note that depending on the model, the glass may be coated on either one or both surfaces.

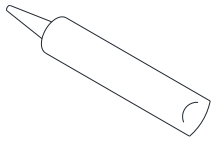
For best results, squeegee the glass after each use and dry with a soft cloth.

Preparation

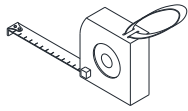
1. Prior to installation, examine all boxes and packages for shipping damage and compare the piece count with your packing slip. After opening all boxes and packages read this introduction carefully. Check that all of the needed parts are included in the package by checking off the components on the "Detailed Diagram of Shower Door Components". If the unit has been damaged, has a finishing defect, or has missing parts, please contact our customer support department within **3 business days** of the delivery date. Please note that **DreamLine® will not replace any damaged products or missing parts free of charge after 3 business days or if the product has been installed.** Feel free to contact DreamLine® if you have any questions, and please provide an order number, job name or other proof of purchase to help us identify your original order.
2. **Please note that you should consult your local building codes with questions about installation compliance standards. Building and plumbing codes may vary by location, and DreamLine® is not responsible for code compliance standards for your project and will not accept any returns.**
3. If this unit is going to be installed in a new construction, please install all of the required plumbing and drainage before installing the shower. **Use a competent and licensed (if required by local code) plumber for all plumbing installation.**
4. Please make sure that prior to beginning the installation, the surfaces are leveled and solid and will be able to support the total weight of the unit. Also make sure the walls are at right angles. Irregular installation surface level, radius corners or improper angle of side walls will result in serious problems for your installation. Please, note that some adjustments and drilling may be necessary during the installation process.
5. Please protect all primary surfaces of the product during installation. Never set your glass down directly onto a tile floor. Leave corner protectors in place until necessary to remove them. Always use a piece of wood or cardboard to protect the bottom edge and corners of the glass prior to and during installation.
6. This unit must be installed upon a finished threshold and against finished walls.
7. **This model has 1" of adjustment per wall profile for out-of-plumb wall conditions and overall width within the model size.**
8. **NOTE: DO NOT** install the handle onto the door glass until instructed to do so. **DO NOT** lift the glass using the handle. This could result in damage to the glass and /or serious personal injury. Always use an assistant or a professional grade glass suction cup when handling heavy glass.
9. **Professional installation recommended.**

NOTE: This door is reversible for right or left-hand door installation. The left-hand door installation is shown as an example throughout this manual. For the right-hand door installation, simply begin on the opposite wall and reverse the orientation of the steps shown.

Tools Required



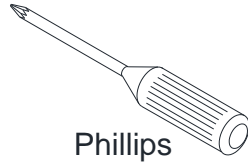
Caulk



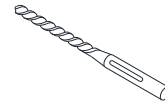
Tape Measure



Pencil



Phillips Screwdriver



Drill bit
(Ø=5/16")



Drill bit
(Ø=1/8")



Wood



Level



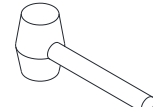
Caulk Gun



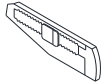
Electric Drill



Hammer



Mallet



Knife

NOTE: Unpack your unit carefully and inspect it. Lay it out and identify all parts using the detailed diagram and packing list in this manual as a reference. Before discarding the carton, check for small hardware bags that may have fallen to the bottom of the box. If any parts are damaged or missing, please contact DreamLine® for replacement. The shipping boxes may contain extra parts not used in your model configuration.

NOTE: Retain these installation instructions for future reference.

Detailed Diagrams of Shower Door Components

Diagram: A

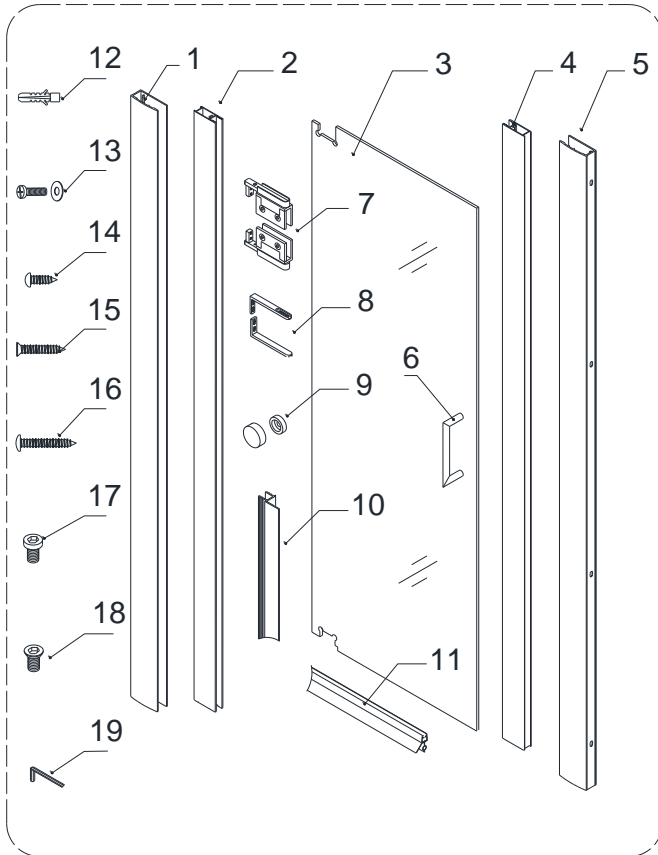


Diagram: B

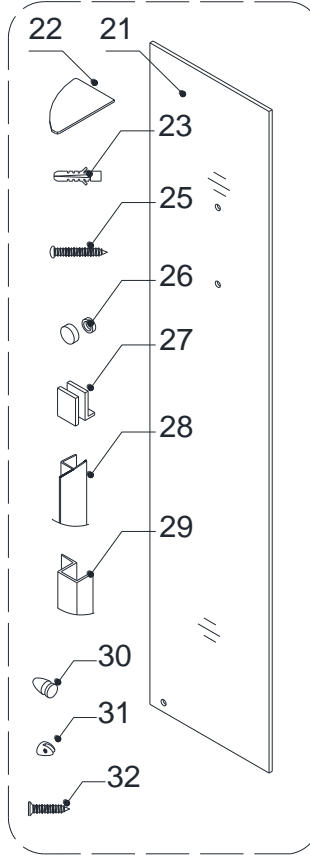


Diagram: C

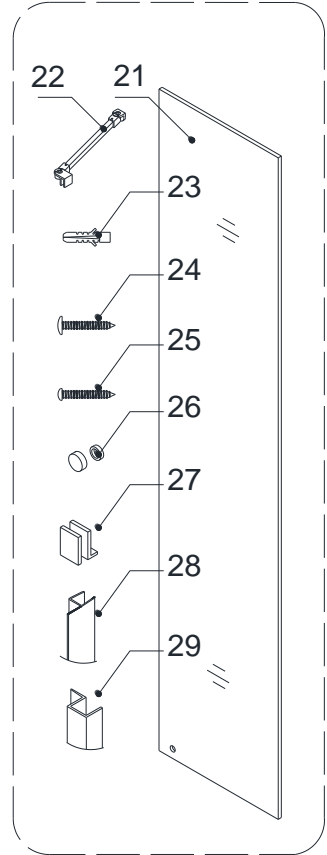


Diagram: A

01	Wall profile for glass door	1pc	11	Bottom anti-water strip	1pc
02	Glass profile for glass door	1pc	12	Wall anchor	12pcs
03	Door Glass	1pc	13	Bolt M4×16 (with washer)	4pcs
04	Glass profile	1pc	14	Round head screw ST4.2×10	8pcs
05	Wall profile	1pc	15	Flat head screw ST4.2×25	2pcs
06	Handle	1set	16	Large Truss head screw ST4.2×40	13pcs
07	Pivot assembly (top and bottom)	1pair	17	Round head socket bolt M6×12	1pc
08	Pivot retainer (top and bottom)	1pair	18	Flat head socket bolt M6×12	1pc
09	Decorative cover with washer	8pcs	19	Hex wrench	2pcs
10	*Snap-in Anti-water strip (1 long, 1 short)	2pcs			

Diagram: B

21	Stationary glass	1pc	28	Anti-Water strip (Inline)	1pc
22	Glass shelf	2pcs	29	Anti-Water strip (Enclosure)	1pc
23	Wall Anchor	4pcs	30	Shelf bracket (with nut)	2pcs
25	Round head screw ST4.2×35	1pc	31	Shelf bracket (without nut)	4pcs
26	Decorative cover with washer	1pc	32	Countersunk screw ST4.2×40	4pcs
27	Bottom bracket	1pc			

Diagram: C

21	Stationary glass	1pc	26	Decorative cover with washer	1pc
22	Support bar	1pc	27	Bottom bracket	1pc
23	Wall Anchor	1pc	28	Anti-Water strip (Inline)	1pc
24	Big flat head screw ST4.2×40	1pc	29	Anti-Water strip (Enclosure)	1pc
25	Round head screw ST4.2×35	1pc			

*(see note in step #10)

STYLE A

Single Shower door 25 $\frac{1}{4}$ "-37 $\frac{3}{4}$ "

Diagram A must be used for assembly

Follow Steps: #1-16

Style A -Model #s

SHDR-4127720-##
SHDR-4128720-##
SHDR-4130720-##
SHDR-4132720-##
SHDR-4134720-##
SHDR-4135720-##

STYLE B

Shower door with 12" or 24" Stationary glass and Glass Shelves

Diagram A and Diagram B must be used for assembly

Follow Steps: #1-10, #17-24

Style B -Model #s

SHDR-4137720-## SHDR-4139720-##
SHDR-4140720-## SHDR-4142720-##
SHDR-4144720-## SHDR-4146720-##
SHDR-4147720-## SHDR-4149720-##
SHDR-4151720-## SHDR-4152720-##
SHDR-4154720-## SHDR-4156720-##
SHDR-4158720-## SHDR-4159720-##

STYLE C

Shower Enclosure with 30" or 34" Return Stationary glass and Support Arm

Diagram A and Diagram C must be used for assembly

Follow Steps: #25-42

Style C -Model #s

SHEN-4130300-##
SHEN-4134300-##
SHEN-4130320-##
SHEN-4134320-##
SHEN-4130340-##
SHEN-4134340-##

STYLE D

Shower Enclosure with 30" or 34" Return Stationary glass and Glass Shelves

Diagram A and Diagram B must be used for assembly

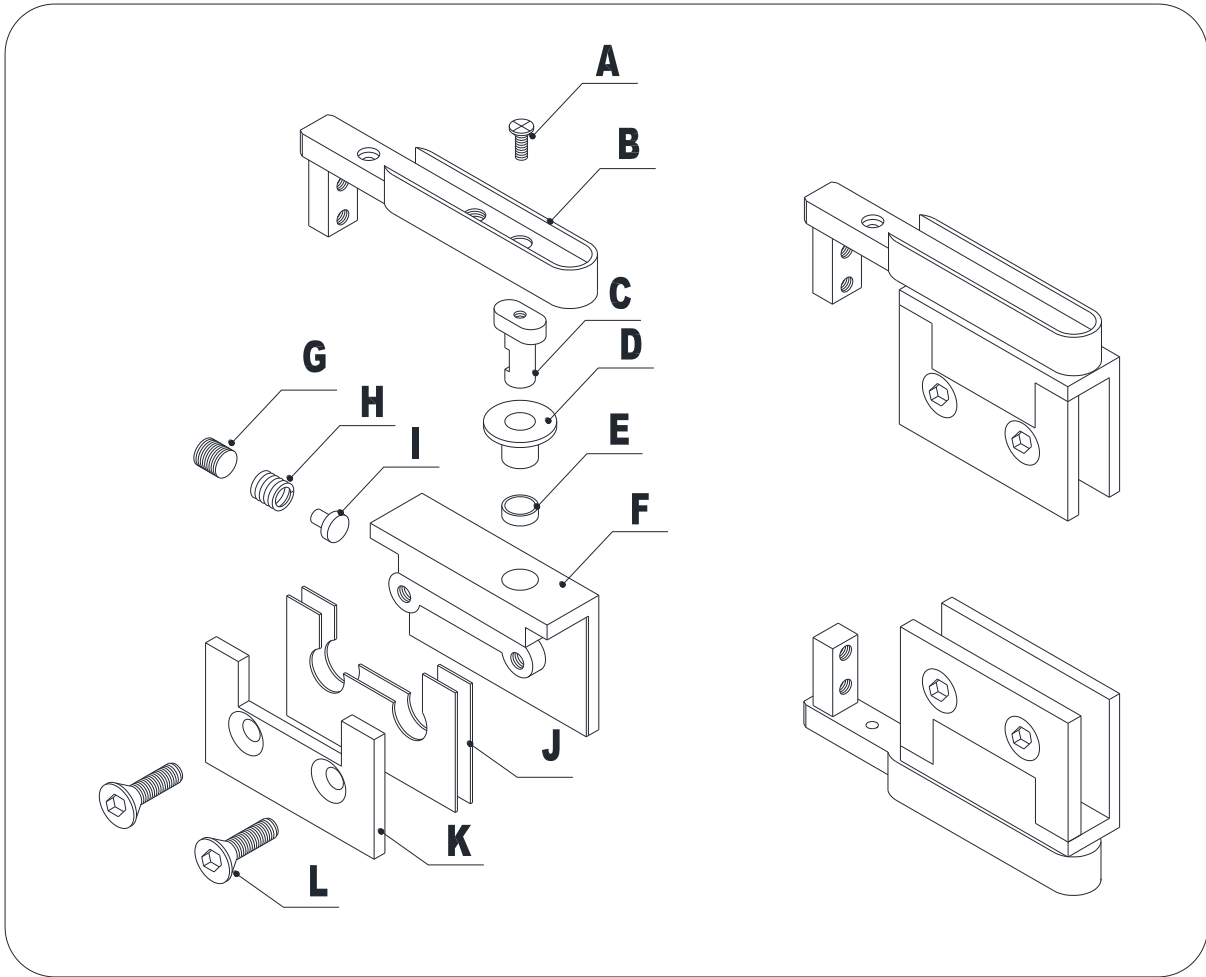
Follow Steps: #25-41, #43

Style D -Model #s

SHEN-4130301-##
SHEN-4134301-##
SHEN-4130321-##
SHEN-4134321-##
SHEN-4130341-##
SHEN-4134341-##

= finish: 01= Chrome 04 = Brushed Nickel

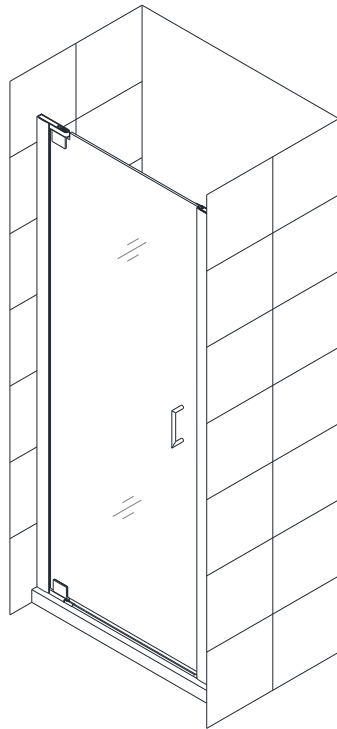
Self-Closing Pivot Assembly Parts List



A	Flat head bolt M4×8	1pc	G	Bolt M12×10	1pc
B	Pivot bracket	1pc	H	Spring	1pc
C	Pivot axis	1pc	I	Core	1pc
D	Washer A	1pc	J	Clear Gasket	4pcs
E	Washer B	1pc	K	Back plate	1pc
F	Pivot body	1pc	L	Bolt	2pcs

Style "A": Single Shower Door Assembly and Installation

NOTE: Use parts from Diagram "A" for the Single Shower door assembly and installation.



The glass surface with the **ClearMax™** label must be installed to face inside of the shower

1. Place the **Wall profile for glass door (01)** on the shower base or the threshold vertically against the finished wall.

Adjust the **Wall profile for glass door (01)** vertically using a level.

Mark the drill holes on the wall through the predrilled holes in the **Wall profile for glass door (01)**.

Next, drill the holes using a **Ø5/16"** drill bit and insert the **Wall anchors (12)**.

See Fig. 1 for details.

NOTE: The **Wall profile for glass door (01)** has an additional pair of holes at each end for the pivot retainers. These extra holes are not present in the **Wall profile (05)** that is used for the strike side/panel side.

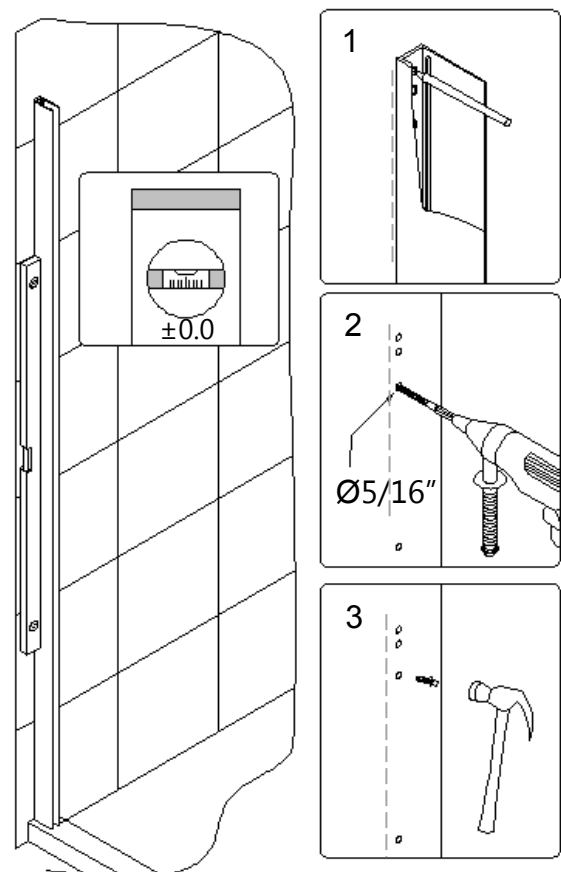


Fig. 1

2. Push the **Pivot retainers (08)** into both ends of the **Wall profile for glass door (01)**.

See Fig. 2 for details.

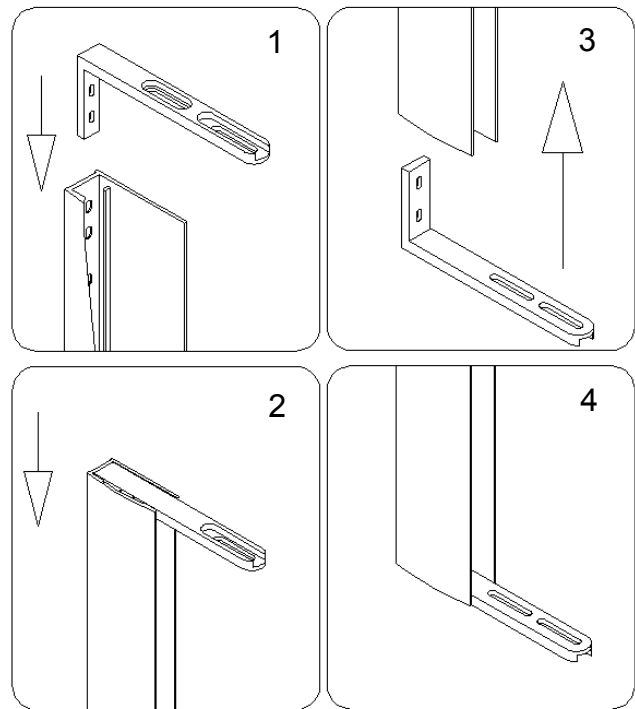


Fig. 2

3. Run a silicone bead along the holes on the wall. Attach the **Wall profile for glass door (01)** and **Pivot retainer (08)** to the wall using **Large Truss Head screws ST4.2×40 (16)**.

See Fig. 3 for details.

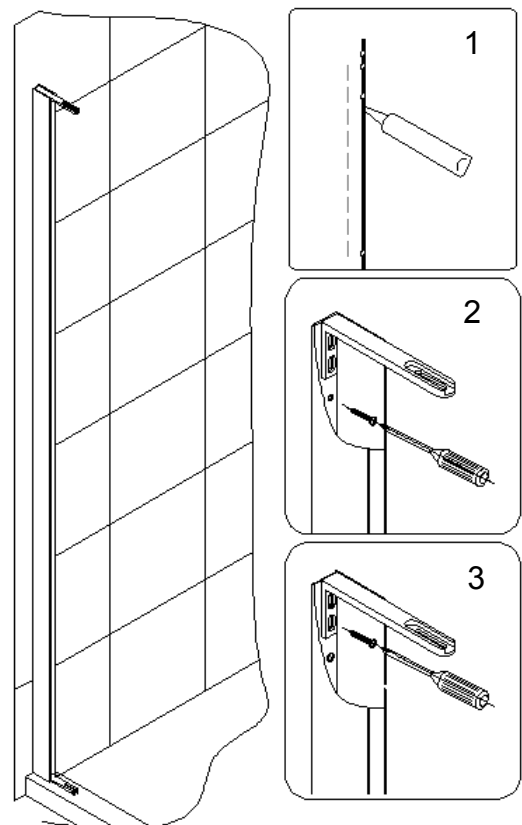


Fig. 3

4. Attach the **Pivot assembly (07)** to the top and the bottom ends of the **Glass profile for glass door (02)** with the **Flat head screws ST4.2×25 (15)** and **M4×16 bolt (13)**.

See Fig. 4 for details.

NOTE: The **Back plate (K)** of the **Pivot assembly** should face **inside of the shower**.

NOTE: The **Glass profile for glass door (02)** is shorter and has an additional pair of holes at each end for the pivot assembly. These extra holes are not present in the **Glass profile (04)** that is used for the strike side/panel side.

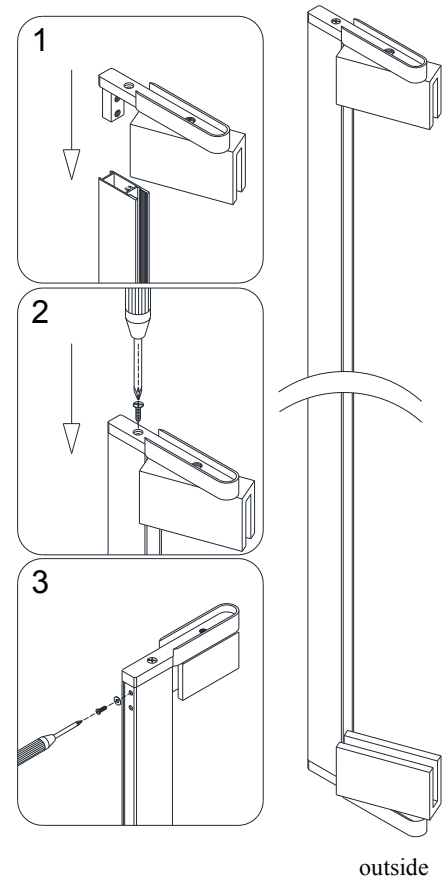


Fig. 4

5. Slide the **Glass profile for glass door (02)** with **Pivot assemblies (07)** into the groove of the **Wall profile for glass door (01)** and secure the top **Pivot retainer (08)** to the top **Pivot assembly (07)** with the **Round head socket bolt M6×12 (17)**.

See Fig. 5 for details.

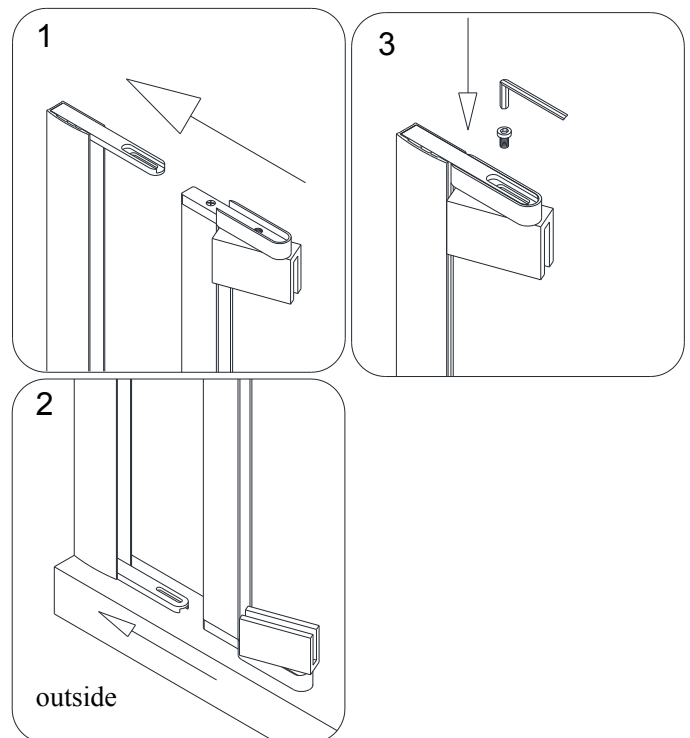


Fig. 5

NOTICE:

The **Door Glass (03)** has a **top** and a **bottom notch for the pivots**. The **notch at the top is deeper and the notch at the bottom is shallower (to allow space for the bottom sweep vinyl)**. If the installed door glass has no clearance at the bottom, then the door glass is installed upside-down.

6. Remove the **Bolts (L)** and **Back plates (K)** from the top and bottom **Pivot assemblies (07)**.

Position the **Door Glass (03)** onto the **Pivot assemblies**. Hold the **Clear Gaskets (J)** in place on either side of the door glass and attach the **Back plates (K)**. Tightly secure the **Glass door** to the **Pivot assemblies** using **Bolts (L)**.

See Fig 6 for details.

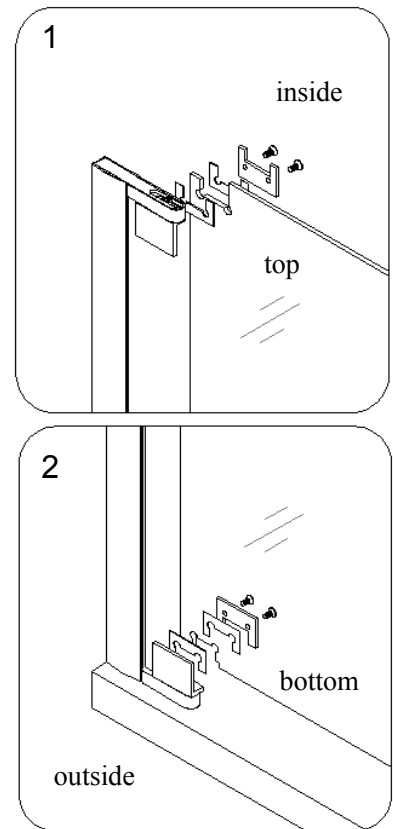


Fig. 6

7. Mount the **Handle (06)** onto the **Door Glass (03)**.

See Fig. 7 for details.

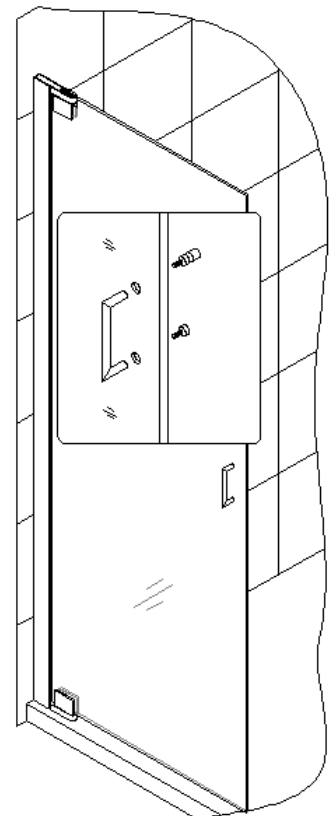


Fig. 7

8. Open the **Door Glass (03)**.

See Fig. 8 for details.

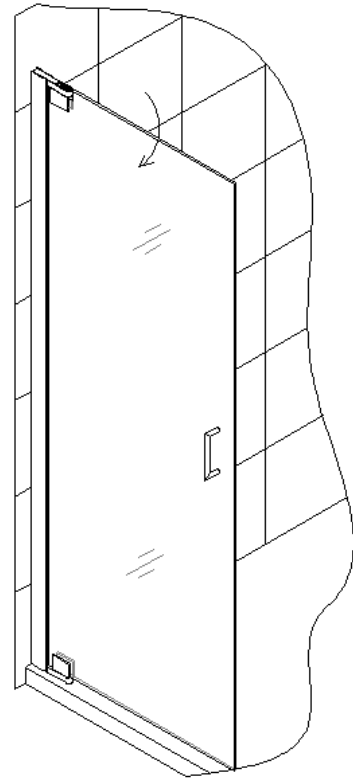


Fig. 8

9. Seal the unused hole in the bottom **Pivot retainer (08)** with the **Flat head socket bolt M6×12 (18)** or you can attach the **Pivot retainer (08)** to the Shower base or threshold by drilling an $\text{Ø}1/8''$ hole and using a **Large Truss head screw ST4.2×40 (16)**.

Apply silicone sealant over the **Screw (16)** or **Bolt (18)** to prevent leakage for either method.

See Fig. 9 for details.

NOTE: Sealing the hole in the Pivot Retainer is important. Attaching the Pivot Retainer to the threshold is optional.

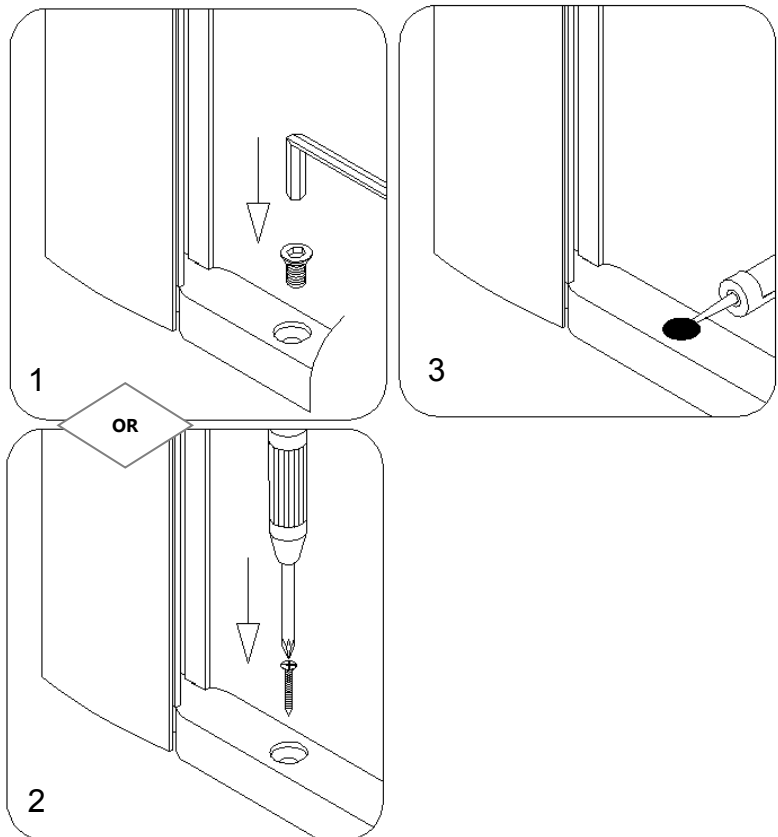


Fig. 9

10. Snap the shorter **Anti-water strip (10)** into the vertical groove of the **Glass profile for glass door (02)**. Attach the **Bottom anti-water strip (11)** onto the glass door.

See Fig. 10 for details

Note: If installing the single door model, use both of the **Anti-water strips (#10)** (See Fig 10 & 11). If installing a door with an inline or enclosure panel, attach the shorter **Anti-water strip (#10)** into the door side Glass profile (Fig 10.2) and attach **anti-water strip (inline)(#28)** or **anti-water strip (enclosure)(#29)** onto the edge of the panel glass (See Fig. 11.2) and discard the longer **Anti-water strip (#10)**.

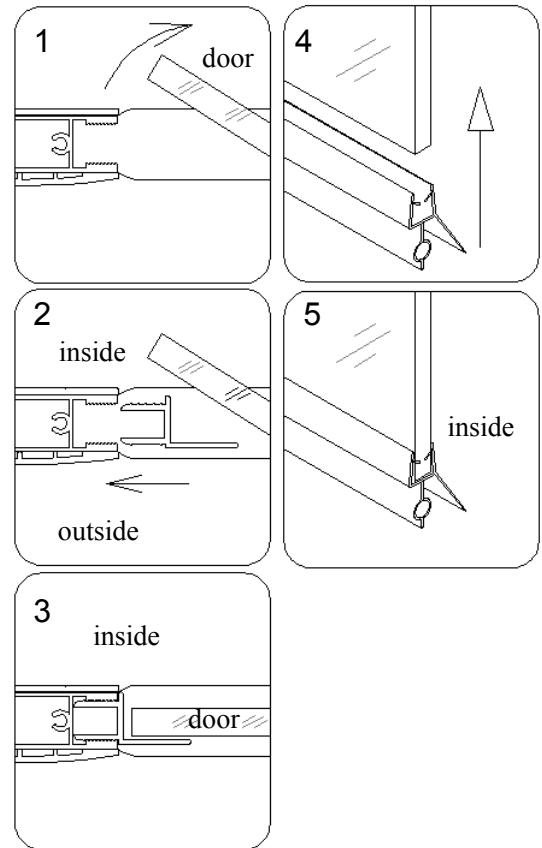


Fig. 10

ATTENTION:

Steps 11-16

Follow these steps if the width of your finished opening is less than **37 $\frac{3}{4}$ "** and you are installing the single door (without stationary glass). You will only need to refer to the **Diagram A** parts list to complete the installation.

Steps 17-24

Follow these steps if the width of your finished opening is greater than **37 $\frac{1}{4}$ "** and you are installing the door and stationary glass with glass shelves. You will need to use both **Diagram A** and **B** parts lists to complete the installation.

11. Push the **Glass profile (04)** into the **Wall profile (05)** and snap the longer **Anti-water strip (10)** into the groove of the **Glass profile (04)**. (Fig 11.2)

Hold the **Door Glass (03)** in the closed position and adjust the position of the **Wall profile (05)** on the wall to ensure the **Door Glass (03)** makes tight contact with the flange of the **Anti-water strip (10)** from top to bottom.

See Fig. 11 for details.

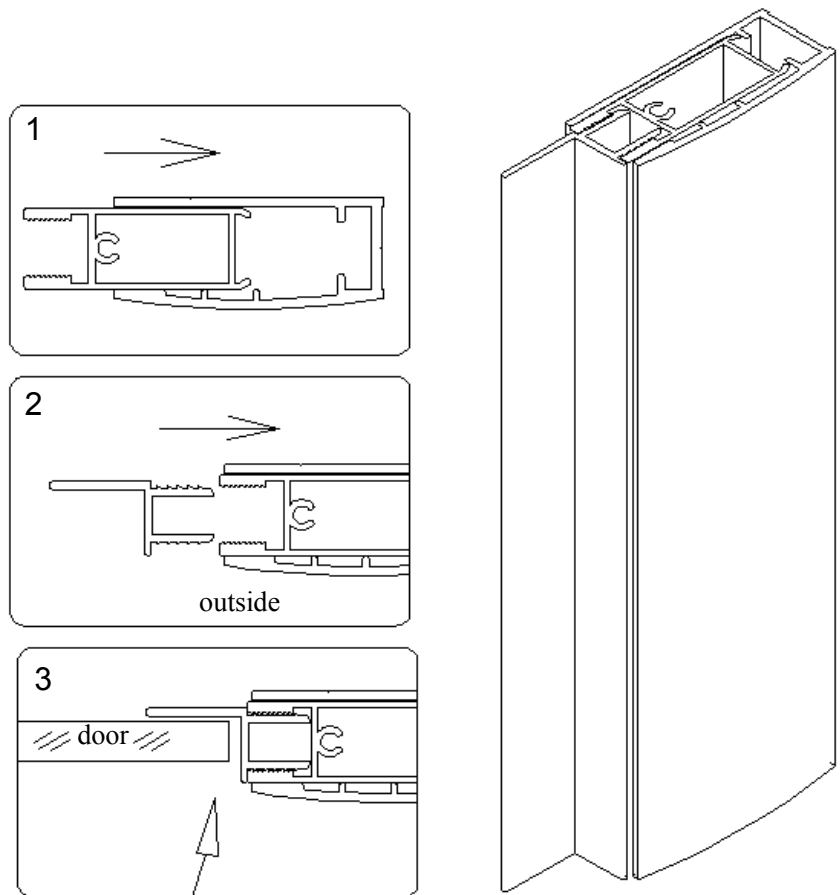


Fig. 11

12. Use a level to ensure that the **Door Glass (03)** and the **Wall profile (05)** are absolutely plumb. Draw a line on the wall along the vertical edge of the **Wall profile (05)**. Detach the **Wall profile (05)** from the **Glass profile (04)**. Place the **Wall profile (05)** to the outlined position and mark the holes for drilling through the pre-drilled holes in the **Wall profile**. Drill the holes using a $\text{Ø } 5/16''$ drill bit.

See Fig. 12 for details.

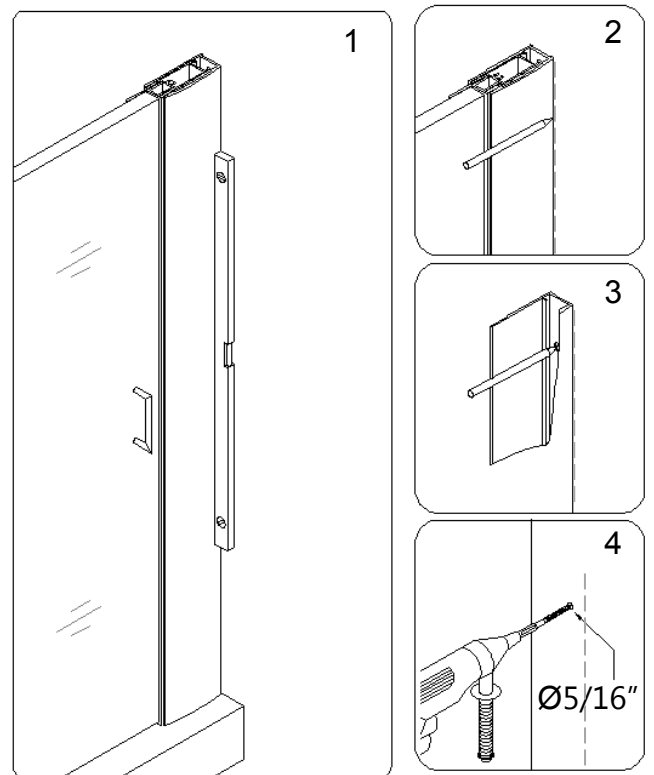


Fig. 12

13. Insert the **Wall anchors (12)** into the holes and apply silicone along the **Wall profile (05)** and around the holes. Fasten the **Wall profile (05)** to the wall with the **Large Truss Head Screws ST4.2×40 (16)**. Slide the **Glass profile (04)** assembly back into the **Wall profile (05)**.

See Fig. 13 for details.

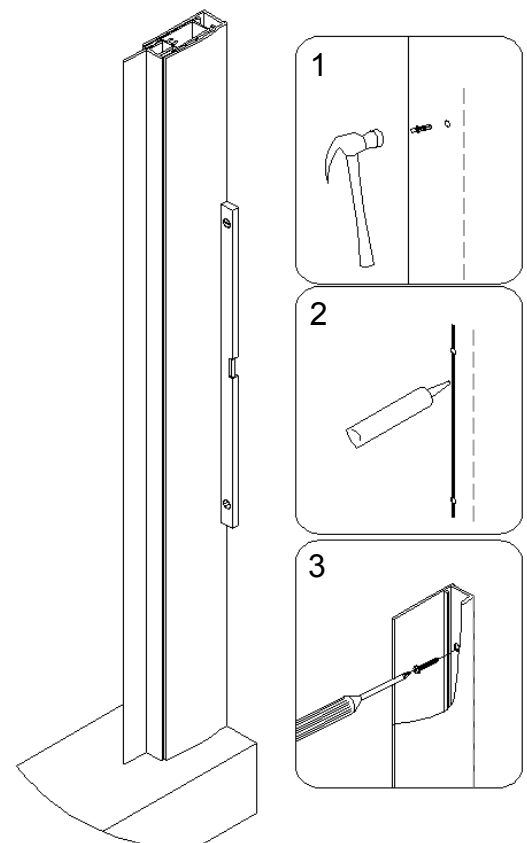


Fig. 13

14. Adjust the width of the **Door Glass (03)** by pulling out the **Glass profiles (02 & 04)** on one or both sides of the opening.

Check the **Door Glass (03)** with a level and tighten in place with the **Round head socket bolt M6×12 (17)** (Fig 14.3). Close the glass door and make sure that there is **1/16" - 1/8"** reveal between the glass door and the **anti-water strip (10)** (Fig 14.2).

See Fig. 14 for details.

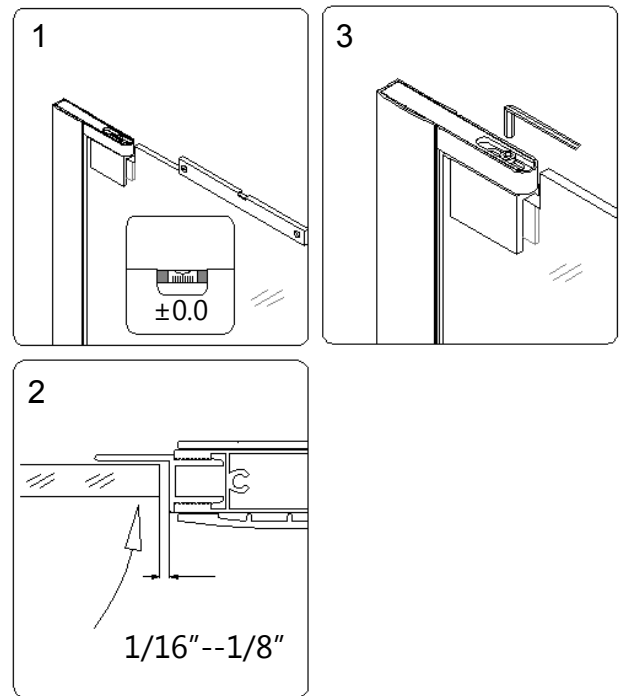


Fig. 14

15. After final adjustments and leveling of the **assembled door and profiles**, drill holes in the **Glass profiles (02)** and **(04)** through the pre-drilled holes in the **Wall profiles (01)** and **(05)** using an **Ø 1/8"** drill bit.

NOTE: Only drill through the first layer of the **Glass Profiles**.

Use the **Round head screws ST4.2×10 (14)** and **decorative cover washers (09)** to secure the **Glass profiles** inside of the **Wall profiles (01 & 05)**. Cover the exposed screws with **Decorative cover (09)**.

See Fig. 15 for details.

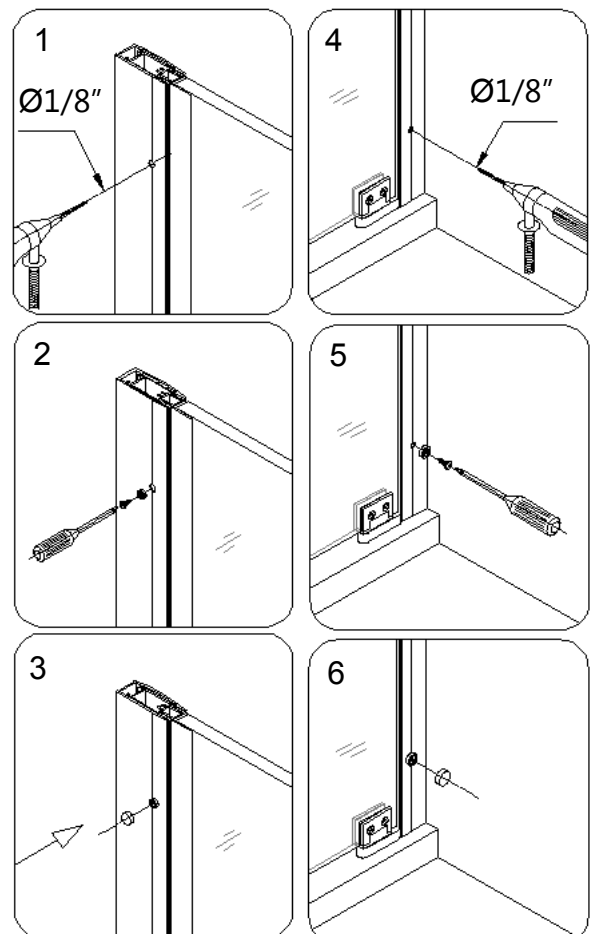


Fig. 15

16. Apply a good quality mildew-resistant silicone between the threshold and the pivot bracket. Also, apply silicone between the wall and the wall profiles.

See Fig. 16 for details.

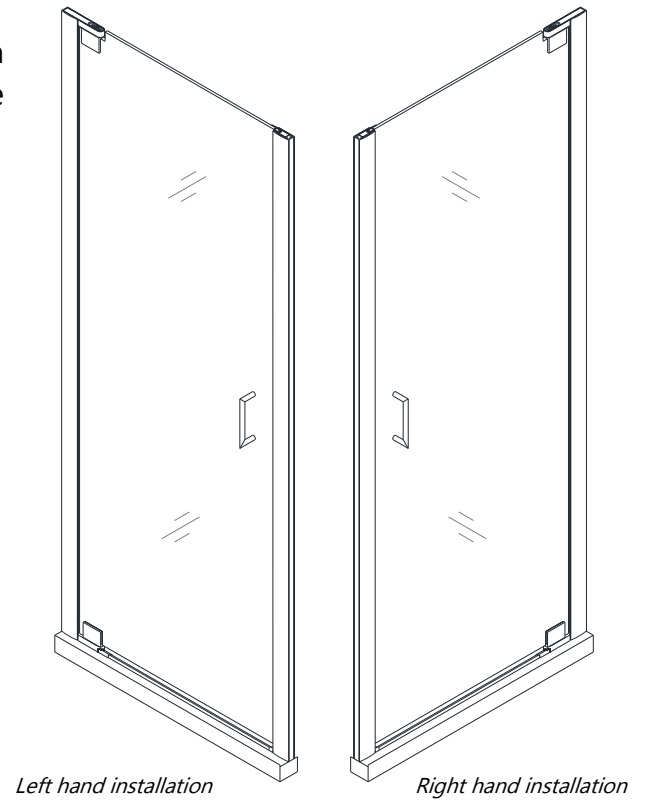


Fig. 16

Style "B":

Stationary Glass Assembly and Installation

NOTE: Use parts from Diagram "B" and "C" for the Stationary Glass assembly and installation.

17. Apply clear silicone along the inner channel of the **Glass profile (04)** and push the **Stationary glass (21)** inside the channel making sure that fits flush at the top and bottom.

NOTE: If you have difficulty sliding the **Glass profile** over the **Stationary glass**, slightly tap on the **Glass profile** with a rubber mallet and a piece of wood. Do not strike the profile directly.

NEVER use a metal hammer or hit the profile without a wood bumper.

Push the **Stationary glass (21)** with attached **Glass profile** inside the **Wall profile (05)**. (Fig 17.3)

See Fig. 17 for details.

NOTE: Please note that the hole in the corner of the Stationary glass (21) should be at the bottom, farther from the wall.

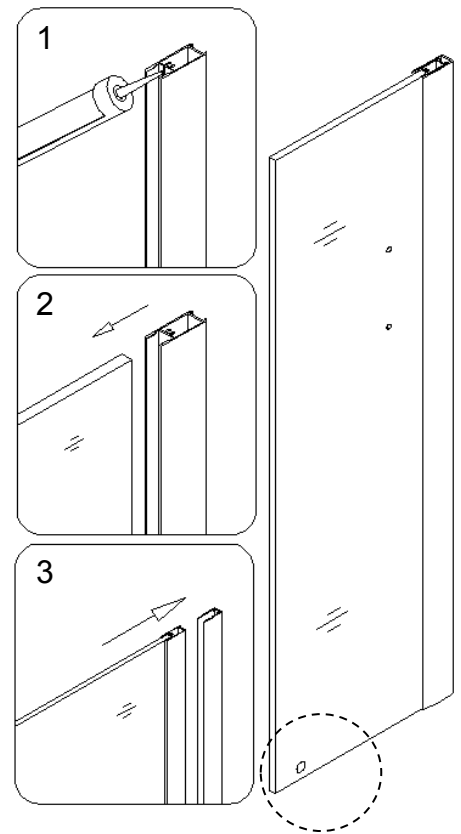


Fig. 17

18. Press the **Anti-Water strip (28)** onto the vertical edge of the **Stationary glass (21)**. Close the **Door Glass (03)** and align the **Stationary glass (21)** with the **Door Glass (03)**.

Adjust the position of the **Stationary glass (21)** as necessary so that the **Door Glass (03)** seals against the **Anti-water strip (28)**.

See Fig. 18 for details.



The glass surface with the **ClearMax™** label must be installed to face inside of the shower

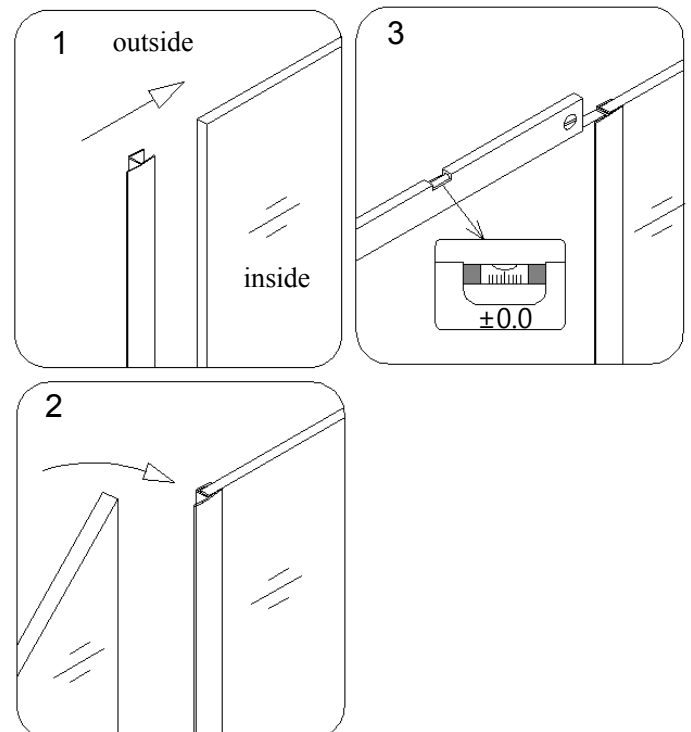


Fig. 18

19. Draw a line on the wall along the inner edge of the **Wall profile (05)**. Remove the **Stationary Glass (21)** with the **Glass profile (04)** assembly from the **Wall profile (05)**. Place the **Wall profile (05)** back to the outlined position on the wall. Mark the drilling holes through the pre-drilled holes in the **Wall profile (05)**.

Now drill the holes in the wall using a **Ø 5/16"** drill bit.

See Fig. 19 for details.

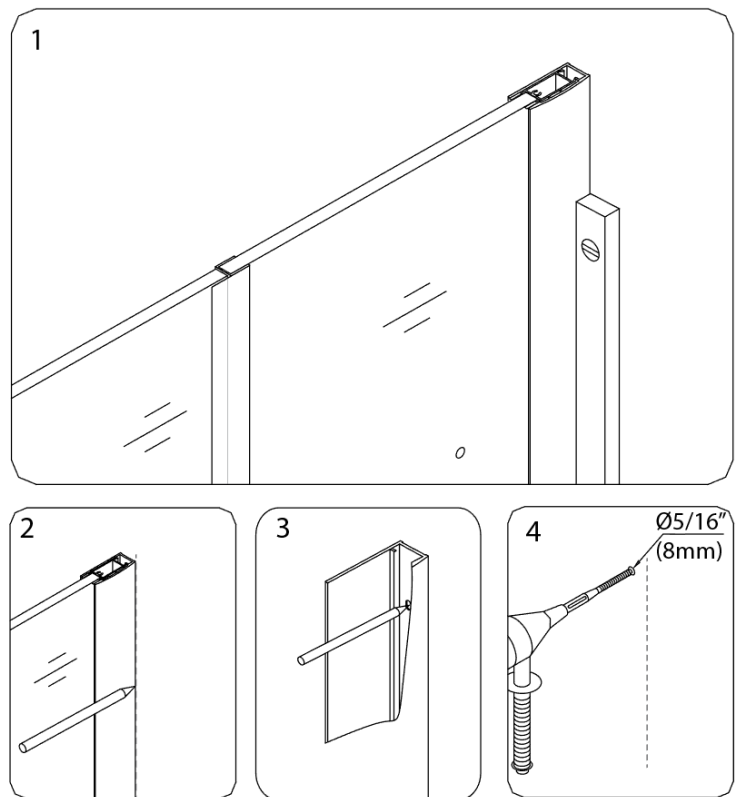


Fig. 19

20. Insert the **Wall anchors (12)** into the holes and apply silicone along the **Wall profile (05)** and around the holes. Fasten the **Wall profile (05)** to the wall with the **Large Truss head Screws ST4.2×40 (16)**.

Slide the **Stationary glass (21)** with the **Glass profile (04)** back into the **Wall profile (05)**.

See Fig. 20 for details.

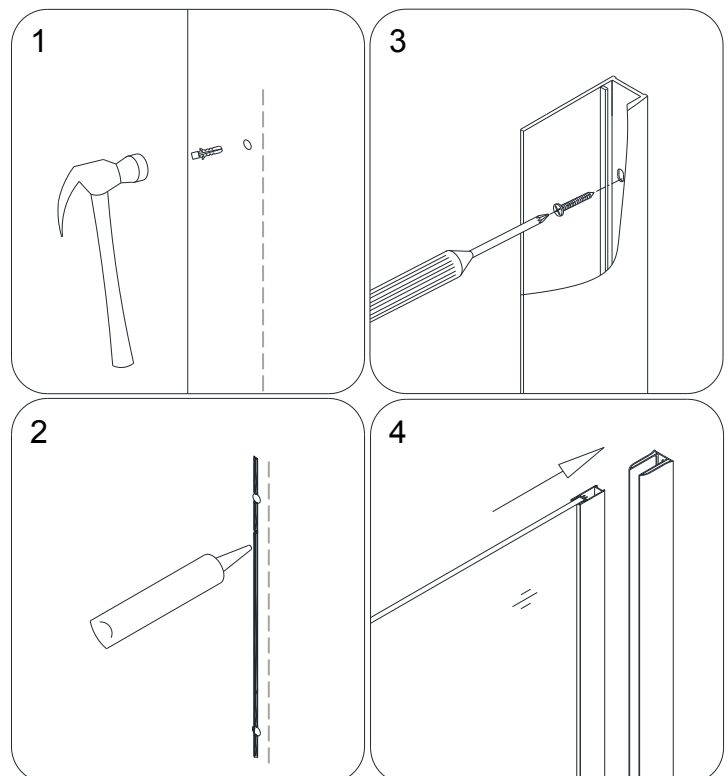


Fig. 20

21. Adjust the **Stationary glass (21)** position to ensure that there is a **1/16"-1/8" reveal** between the **Stationary glass (21)** and the **Door Glass (03)**. (Fig. 21.1)

Attach the **Bottom Bracket (27)** to the **Stationary glass (21)** and make any final adjustments.

Mark the drilling hole for the bracket. Make sure the mark is clear and visible and drill the hole using an **Ø1/8"** drill bit.

Use the **Round head screws ST4.2×35 (25)** and **decorative cover washer (26)** to attach the **Bottom Bracket (27)** to the shower base or the threshold. Cover the screw head with **Decorative screw cover (26)**.

See Fig. 21 for details.

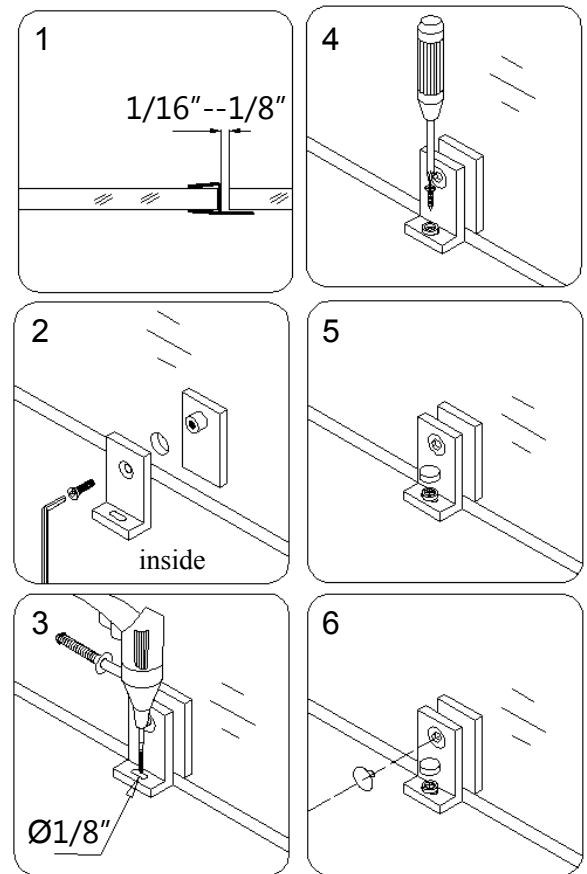


Fig. 21

22. After final adjustments, use an **Ø 1/8"** drill bit to drill through the predrilled holes in the **Wall profiles (01 & 05)** into the **Glass profiles (02 & 04)**.

NOTE: You only need to drill through the first layer of the **Glass Profiles**.

Use the **Round head screws ST4.2×10 (14)** and **decorative cover washers (09)** to secure the **Glass profiles (02 & 04)** inside of the **Wall profiles**. Cover the exposed screws with the **Decorative covers (09)**.

See Fig. 22 for details.

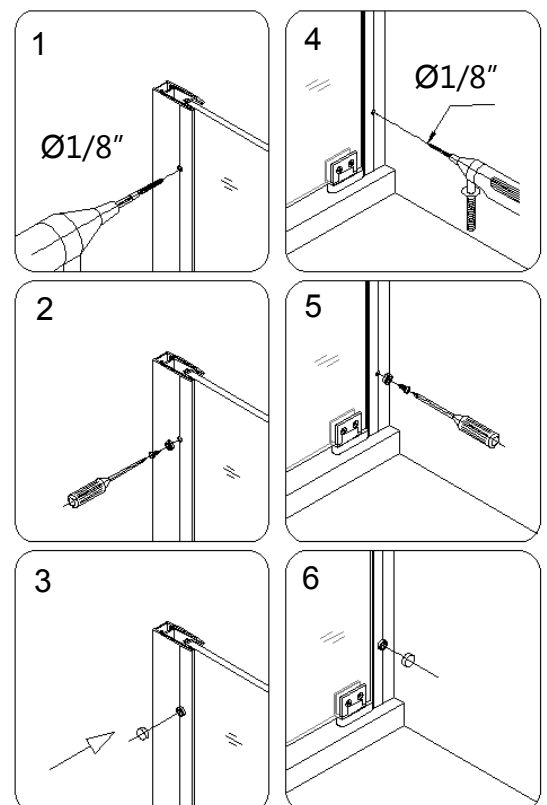


Fig. 22

23. Apply a good quality mildew-resistant silicone between the threshold and stationary panel glass, around the pivot bracket and bottom bracket, and also between the wall and the wall profiles.

See Fig. 23 and Fig. 24 for details.

NOTE: Installation is not complete until the required support shelves are installed. Please proceed to step #24.

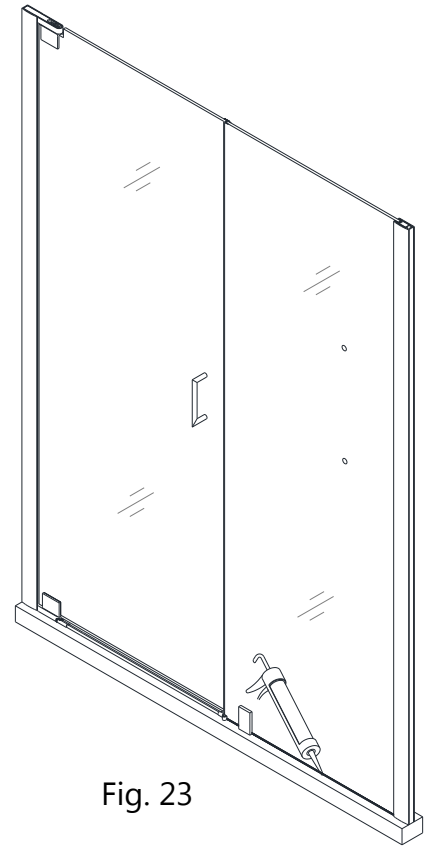


Fig. 23

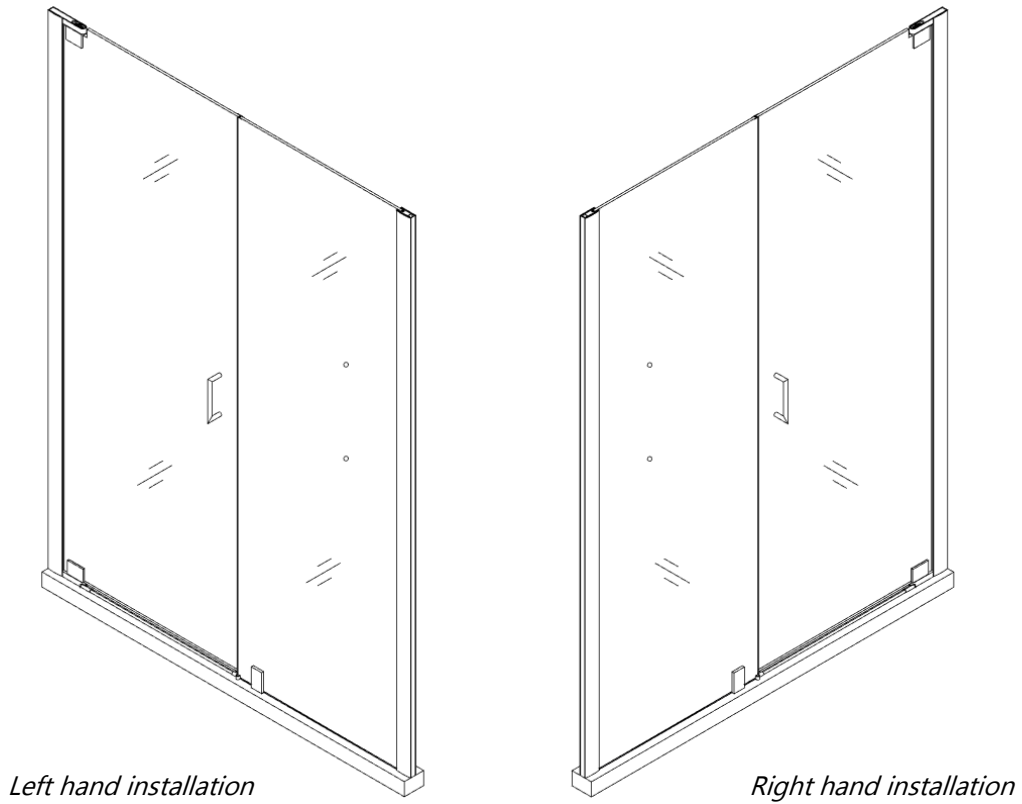


Fig. 24

Style "B" and "D": Stationary Glass Assembly and Installation

NOTE: Use parts from Diagram "B" or "C" (depending on your model style) for the Stationary Glass assembly and installation.

Glass shelves installation

24. Mark the **Glass shelf (22)** position on the wall. According to the measurements in Fig. 25.1, mark the drilling holes on the wall for the **Shelf brackets (31)**.

Drill the holes in the wall using a $\text{Ø } 5/16''$ drill bit and insert the **Wall anchors (23)**.

Attach the **Shelf brackets (31)** to the wall using the **Countersunk screws ST4.2×40 (32)** and attach the **Shelf brackets (30)** to the **Stationary glass (21)**.

Insert the **Glass shelves (22)** into the **Shelf brackets (31)** and fasten the set screws at the bottom of the brackets.

See Fig. 25 and Fig. 26 for details.

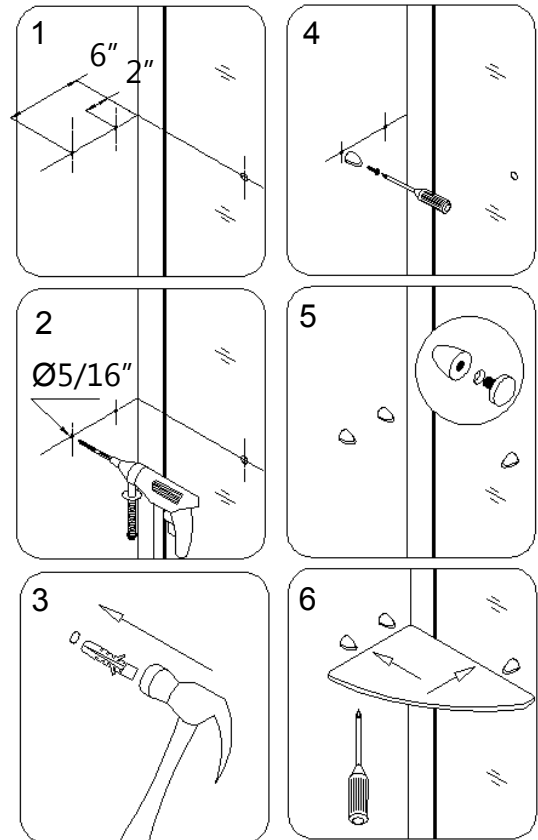


Fig. 25

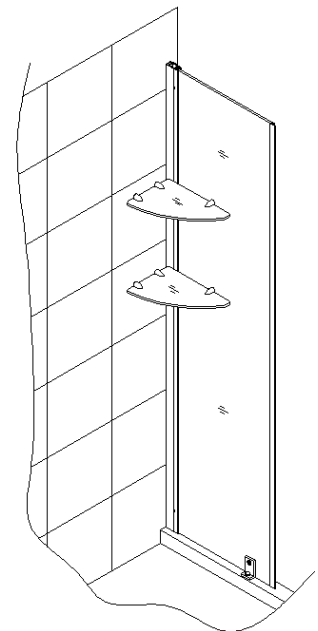
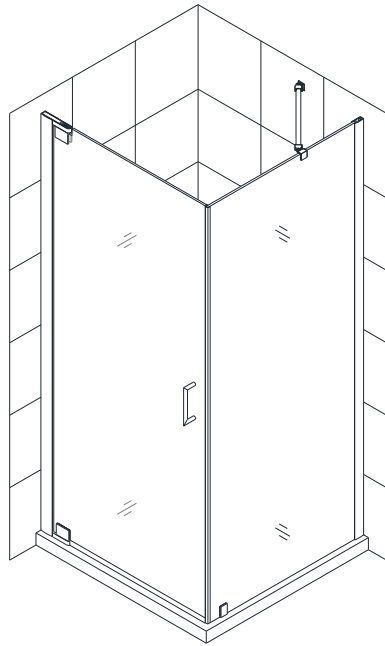


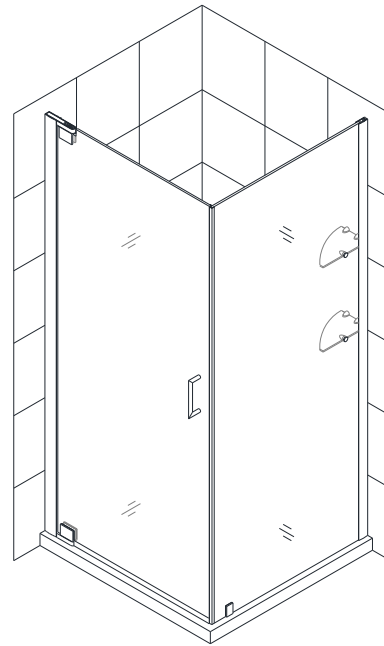
Fig. 26

Style "C" and "D": Shower Enclosure Assembly and Installation

NOTE: Use parts from Diagram "A" and Diagram "B" or "C" (depending on your model style) for the Shower Enclosure assembly and installation.



Style C



Style D

25. Please draw vertical lines on the wall from inside of the shower for the Glass door **A** and the Return panel **B** according to the SKU# of your Glass box found in the size table below:

See Fig. 27 for details.

Size Table:

<i>Measure from the finished corner to the inside edge of the wall profile (Fig 27)</i>	
A (door glass box sku#)	W1
SHDR-GL4121-327210	30"(761mm)
SHDR-GL4121-347210	31 3/4"(806mm)
SHDR-GL4121-357210	33 1/2"(850mm)
B (panel glass box sku#)	W2
SHDR-GL2012-307210	29 1/2"(748mm)
SHDR-GL2012-347210	33 3/8"(849mm)
SHDR-GL2112-307210	29 1/2"(748mm)
SHDR-GL2112-347210	33 3/8"(849mm)

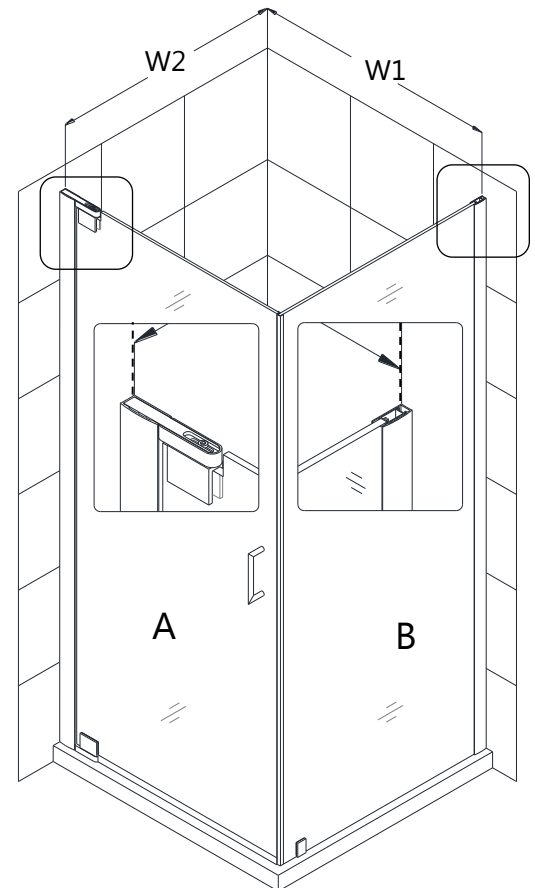


Fig 27

26. Apply clear silicone along the inner channel of the **Glass profile (04)** and push the **Stationary glass (21)** inside the channel. Carefully set the **Stationary glass assembly** aside for installation in Step #34.

NOTE: If you have difficulty sliding the **Glass profile** over the **Stationary glass**, you can slightly tap on the **Glass profile** with a rubber mallet and a piece of wood. Do not strike the profile directly with a hammer.

See Fig. 28 for details.

NOTE: Please note that the hole in the corner of the **Glass panel** should be at the bottom, farther from the wall.

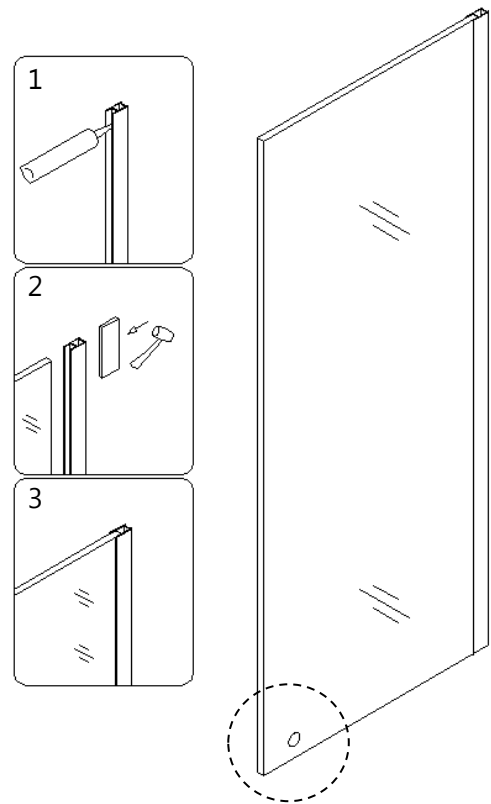


Fig 28

27. Place the **Wall profile for glass door (01)** on the shower base or the threshold vertically against the finished wall and adjust to plumb using a level. Mark the drill holes on the wall through the predrilled holes in the **Wall profile for glass door (01)**. Next, drill the holes using a **Ø5/16"** drill bit and insert the **Wall anchors (12)**.

See Fig. 29 for details.

NOTE: The **Wall profile for glass door (01)** has an additional pair of holes at each end for the pivot retainers that are not present in **Wall Profile (05)**.

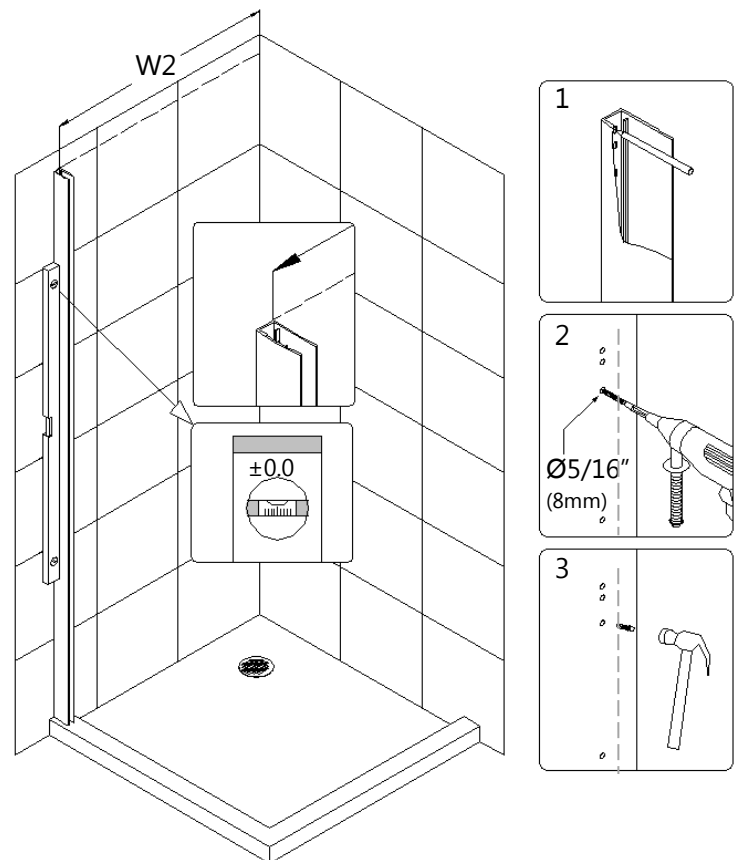


Fig 29

28. Push the **Pivot retainers (08)** into both ends of the **Wall profile for glass door (01)**.

See fig. 30 for details.

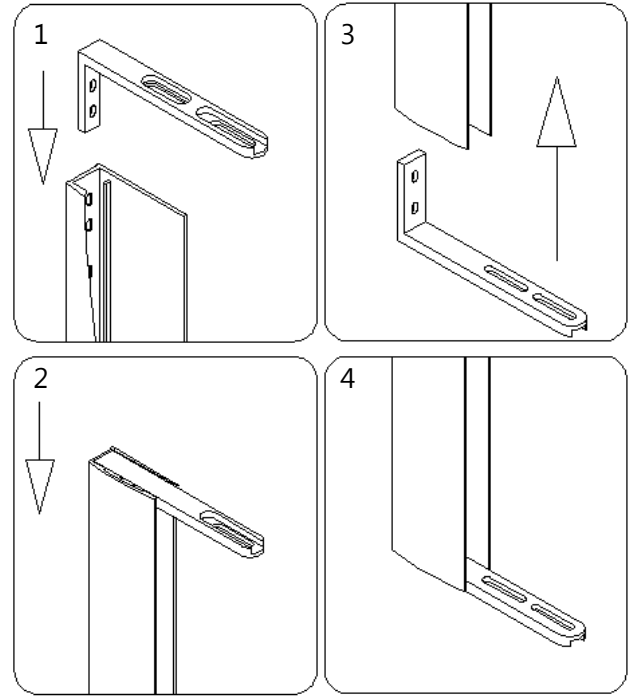


Fig 30

29. Run a bead of silicone along the holes on the wall.

Attach the **Wall profile for glass door (01)** and **Pivot retainer (08)** to the wall using the **Large Truss head screws ST4.2×40 (16)**.

See fig. 31 for details.

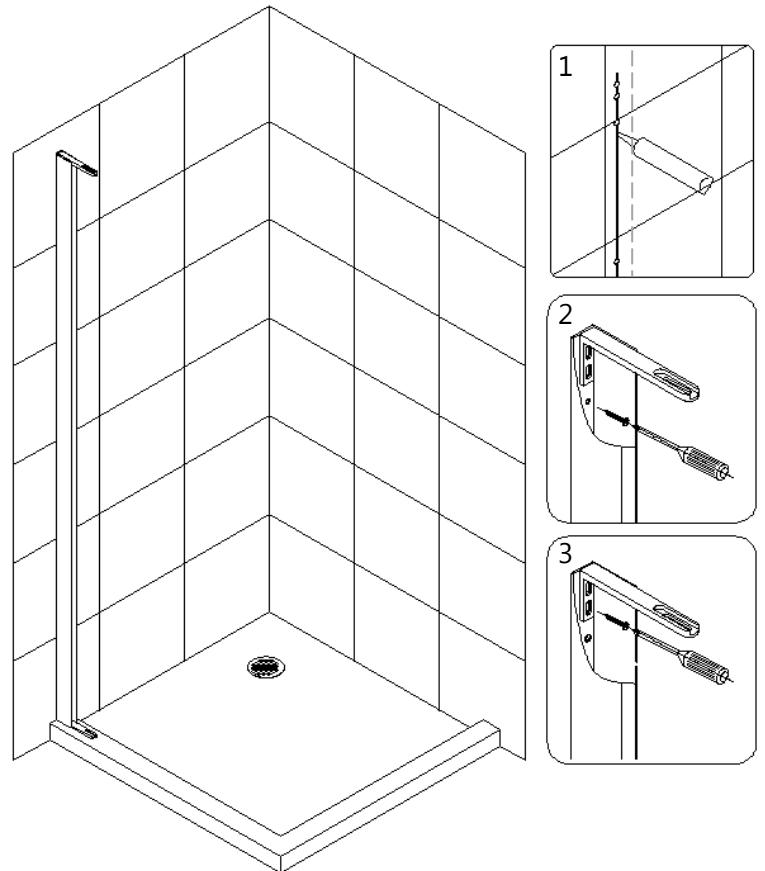


Fig 31

30. Attach the **Pivot assembly (07)** to the top and the bottom ends of the **Glass profile for glass door (02)** with the **Flat head screws ST4.2×25 (15)** and **M4×16 bolt with washer (13)**.

See Fig. 32 for details.

NOTE: The **Back plate (K)** of the **Pivot assembly** should **face inside of the shower**.

NOTE: The **Glass profile for glass door (02)** is shorter and has an additional pair of holes at each end for the pivot assembly that are not present in the **Glass profile (04)**.

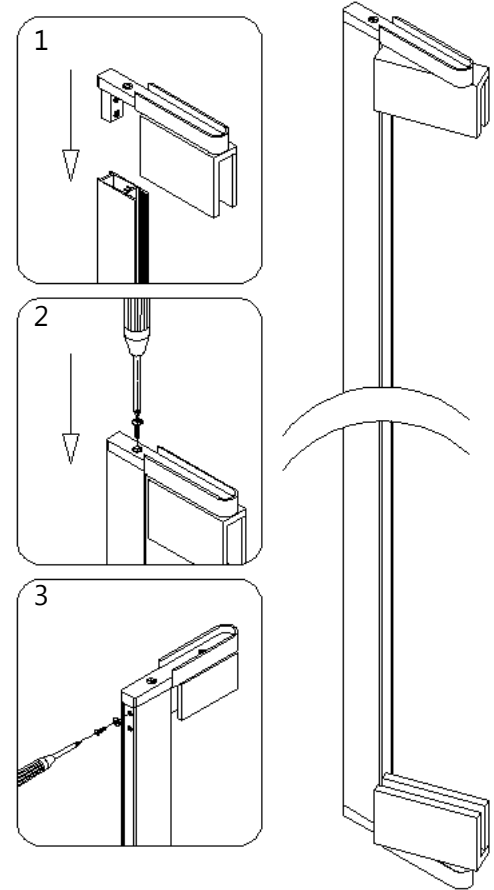


Fig 32

31. Slide the **Glass profile for glass door (02)** with **Pivot assemblies (07)** into the groove of the **Wall profile for glass door (01)** and secure the top **Pivot retainer (08)** to the top **Pivot assembly (07)** with **Round head socket bolt M6×12 (17)**.

See fig. 33 for details.

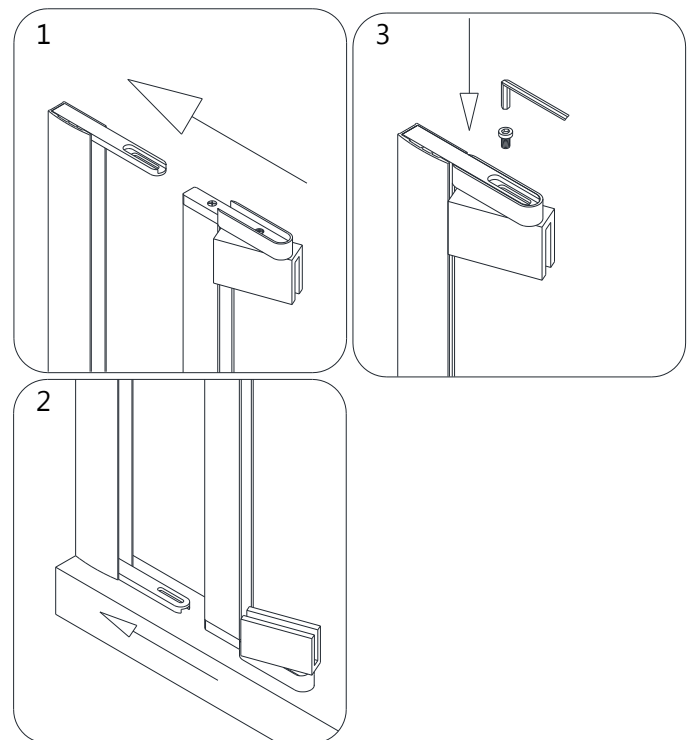


Fig 33

NOTICE:

The **Door Glass (03)** has a top and a bottom notch for the pivots. The notch at the top is deeper and the notch at the bottom is shallower (to allow space for the bottom sweep vinyl). If the installed door glass has no clearance at the bottom, then the door glass is installed upside down.

32. Remove the **Bolts (L)** and **Back plates (K)** from the top and bottom **Pivot assemblies (07)**.

Position the **Door Glass (03)** to the **Pivot assemblies**. Hold the **clear gaskets (J)** in place on either side of the door glass and attach the **Back plates (K)**. Tightly secure the **Glass door** to the **Pivot assemblies** using **Bolts (L)**.

See fig. 34 for details.

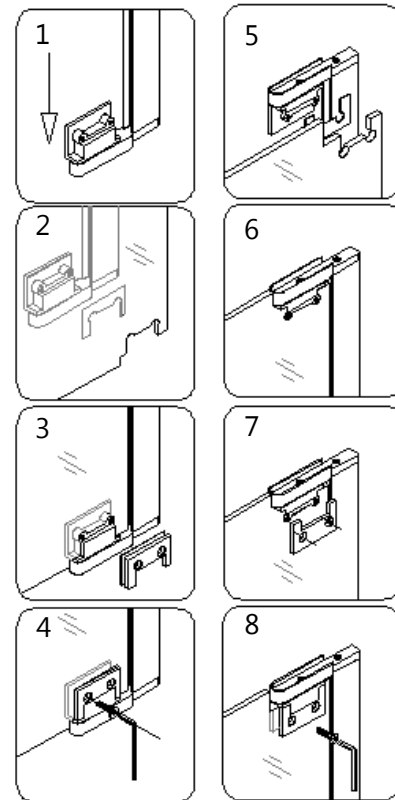


Fig 34

33. Mount the **Handle (06)** onto the **Door Glass (03)**.

See fig. 35 for details.

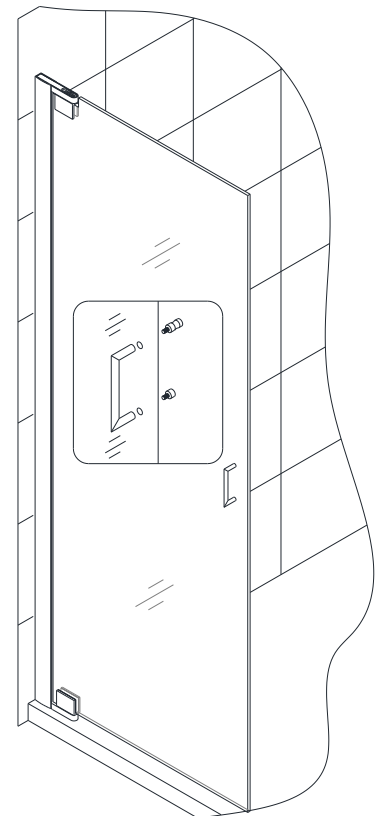


Fig 35

34. Press the **Anti-water strip (29)** onto the vertical edge of the **Stationary glass (21)**.

Carefully position the **Stationary glass assembly** up against the wall vertically according to the **W1** dimension in the table from Step #25.

While securely holding the **Stationary glass assembly**, close the **Door Glass (03)** and align the **Stationary glass** to it.

Adjust the position of the **Stationary glass assembly** as necessary to make sure the **Anti-Water strip (29)** makes tight contact to the **Door Glass (03)** from top to bottom. Draw an outline of the position of the **Wall profile (05)** on the wall from inside the shower. Carefully remove the **Stationary glass assembly**.

See Fig. 36 for details.

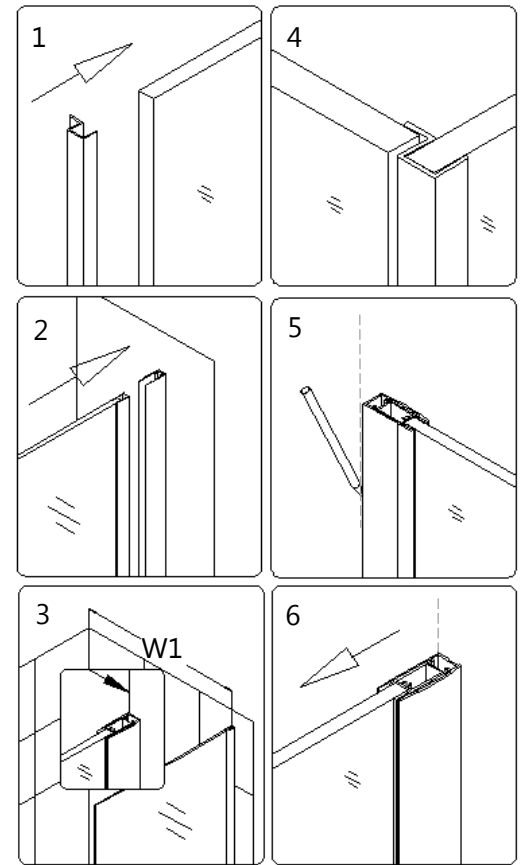


Fig 36

35. Detach the **Wall profile (05)** from the **Glass profile (04)**.

Place the **Wall profile (05)** to the outlined position and mark the drilling holes through the pre-drilled holes in the **Wall profile (05)**.

Drill holes in the wall using a **Ø 5/16"** drill bit.

Insert the **Wall anchors (12)** into the holes and apply silicone along the **Wall profile (05)** and around the holes. Fasten the **Wall profile (05)** to the wall with the **Large Truss head Screw ST4.2×40 (16)**.

Push the **Stationary glass (21)** with the **Glass profile (04)** back into the installed **Wall profile (05)**.

See Fig. 37 & 38 for details.

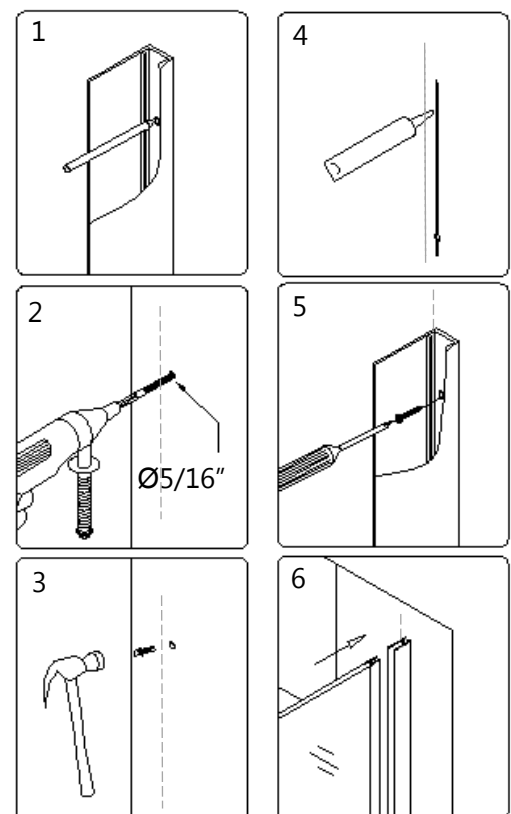


Fig 37

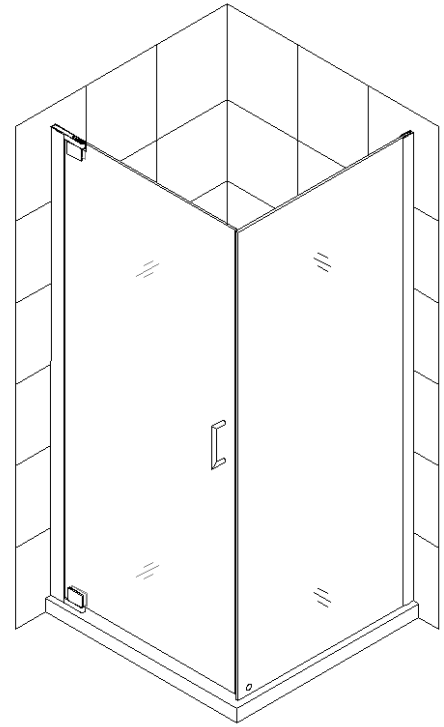


Fig 38

36. Snap the shorter **Anti-water strip (10)** into the vertical groove of the **Glass profile for glass door (02)** (the longer **Anti-water strip (10)** is not used in this configuration). Attach the **Bottom anti-water strip (11)** onto the **Door Glass (03)**.

See Fig. 39 for details.

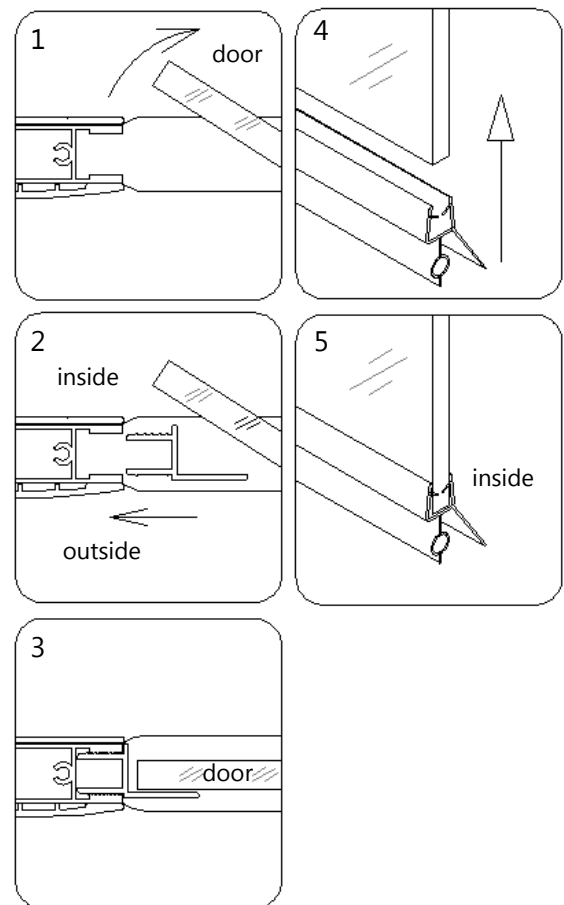


Fig 39

37. If necessary, adjust the width of the **Door Glass (03)** by loosening the **M4x 8 (A)** screw on top of the **Pivot assembly (07)**. Level the **Door Glass (03)** and the **Stationary glass (21)** position to ensure tight contact with the flange of the **Anti-water strip (10)** from top to bottom.

Install the **Bottom Bracket (27)** onto the **Stationary glass (21)**. Mark and drill the hole using an **Ø 1/8"** drill bit.

Attach **Bottom Bracket (27)** to the base or threshold using the **Round head screw ST4.2x35 (25)** and **decorative washer (26)**. Install the screw through the washer and snap on the **Decorative cover (26)**.

See Fig. 40 for details.

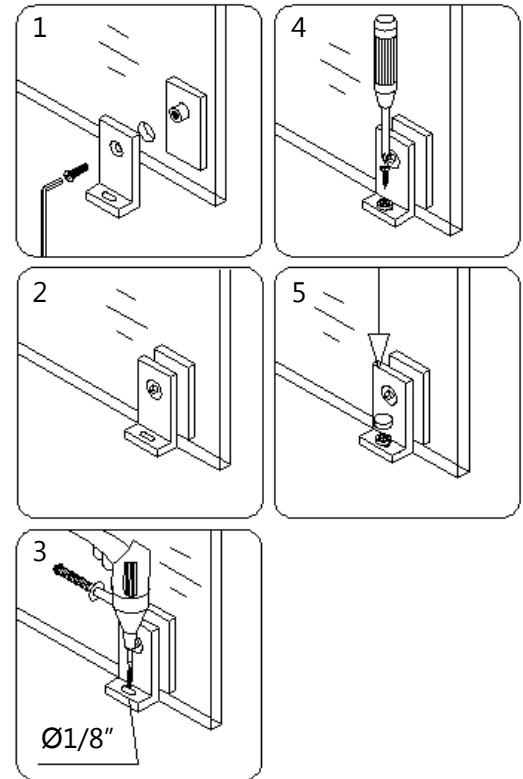


Fig 40

38. Seal the unused hole in the bottom **Pivot retainer (08)** with the **Flat head socket bolt M6x12 (18)** or you can attach the **Pivot retainer (08)** to the shower base or threshold by drilling an **Ø1/8"** hole and using a **Large Truss head screw ST4.2x40 (16)**.

Apply silicone sealant over the **Screw (16)** or **Bolt (18)** to prevent leakage for either method.

See fig. 41 for details.

NOTE: Sealing the hole in the bottom pivot retainer is important. Attaching the Pivot Retainer to the threshold is optional.

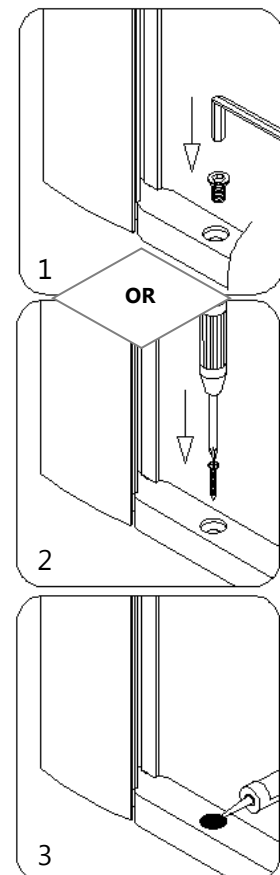


Fig 41

39. Make any final adjustments if necessary. Make sure the **Door Glass (03)** closes tightly to the **Anti-Water strip (29)**.

See fig. 42 for details.

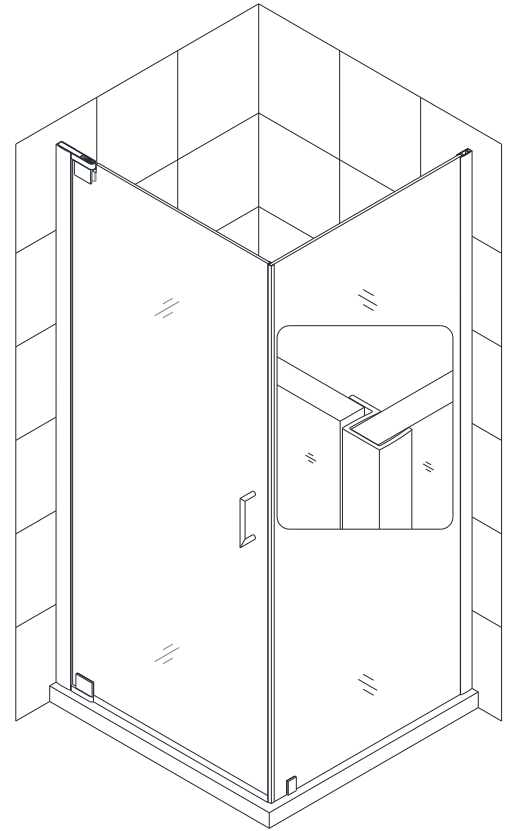


Fig 42

40. After final adjustments of the **Assembled unit** drill the holes in the **Glass profiles (02 & 04)** through predrilled holes in the **Wall profiles (01 & 05)** using an $\text{Ø } 1/8''$ drill bit.

NOTE: You only need to drill through the first layer of the **Glass Profile**.

Use the **Round head screws ST4.2×10 (14)** to secure the **Glass profiles** inside of the **Wall profiles**. Cover the exposed screw holes with **Decorative cover (09)**.

See fig. 43 for details.

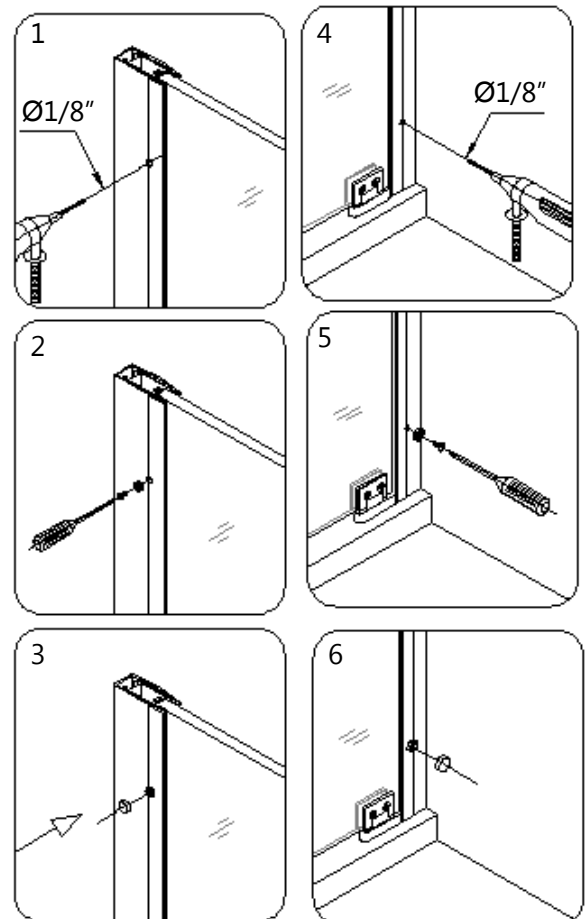


Fig 43

41. Apply a good quality mildew-resistant silicone between the threshold and stationary panel glass, around the pivot bracket and bottom bracket, and also between the wall and the wall profiles.

See fig. 44 for details.

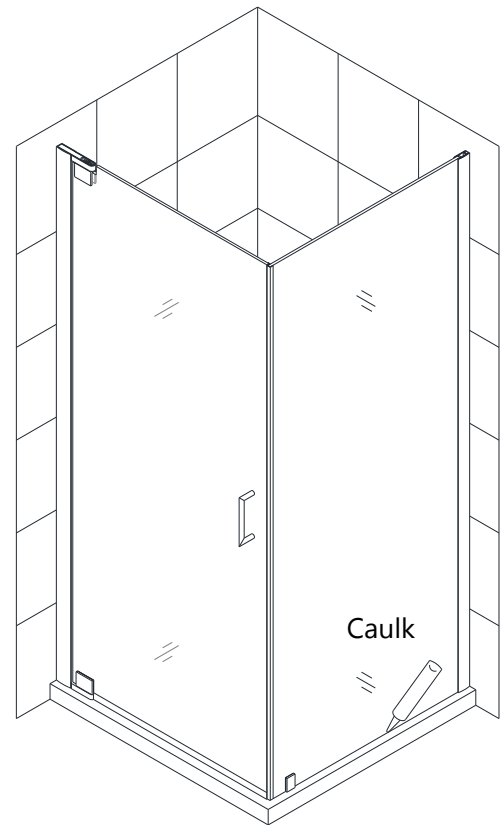


Fig. 44

NOTE: Installation is not complete until the required support is installed.

Please proceed to:

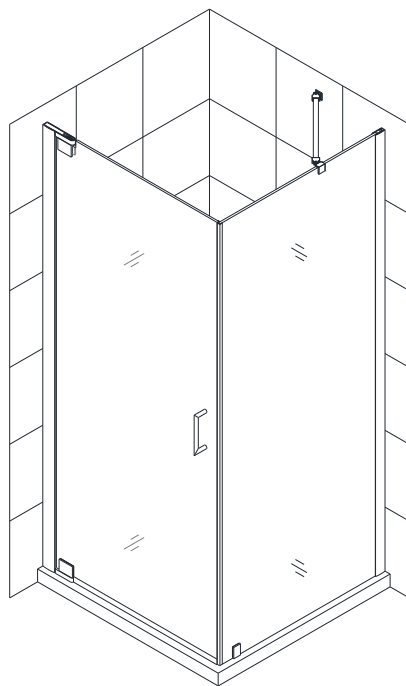
Step #42 for the installation of the **Support Bar**

Or

Step #43 for the installation of the **Support Shelves**.

Style "C": Support Bar Assembly and Installation

NOTE: Use parts from Diagram "C" for the Support Bar assembly and installation.



42. Locate the **Support bar (22)**. Position the bar on the stationary glass at a 45-degree angle between the glass and the wall if possible. Level it horizontally. Hold it firmly in place and outline the bracket's position on the wall. Remove the **Support bar** and detach the wall bracket from it using the supplied Allen wrench. Place the wall bracket against the outlined position on the wall and mark the hole for drilling. (Fig 45.3)

Drill the hole using a $\text{Ø } 5/16''$ drill bit, insert the **Wall anchor (23)** and fasten the wall bracket to the wall with the **Countersunk screw ST4.2×40 (24)**. Attach the **Support bar** to the wall bracket as shown in Fig. 45.6 and tighten the set screws. Make sure that the **clear gasket** is in place to protect the glass and tighten the set screws to secure the glass.

See Fig. 45 for details.

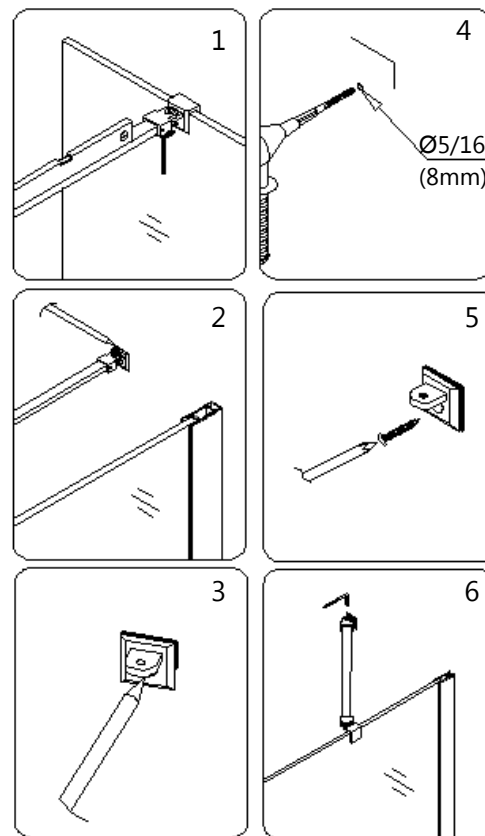
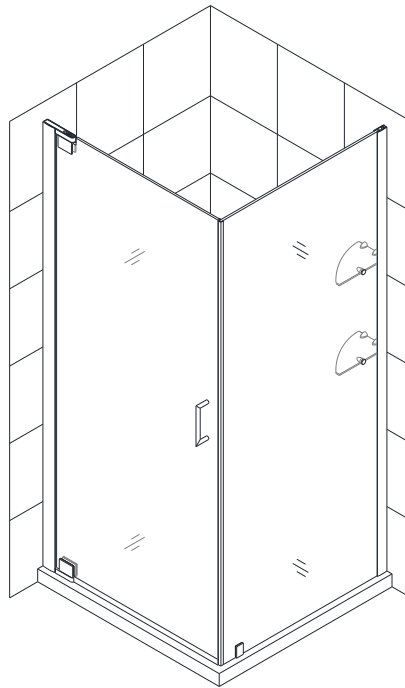


Fig. 45

Style "D": Glass Shelves Assembly and Installation

NOTE: Use parts from Diagram "B" for the Glass Shelves assembly and installation.



43. Mark the **Glass shelf (22)** position on the wall. According to the measurements in Fig. 46.1, mark the drilling holes for the **Shelf brackets (without nut) (31)**. Drill the holes using $\text{Ø } 5/16''$ drill bit and insert the **Wall anchors (23)**.

Attach the **Shelf brackets (without nut)** to the wall using the **Countersunk screw ST4.2 × 40 (32)** and attach the **Shelf brackets (with nut) (30)** to the **Stationary glass (21)**.

Insert the **Glass shelves (22)** into the **Shelf brackets** and tighten the set screws at the bottom of the brackets to secure the shelves.

See Fig. 46 for details.

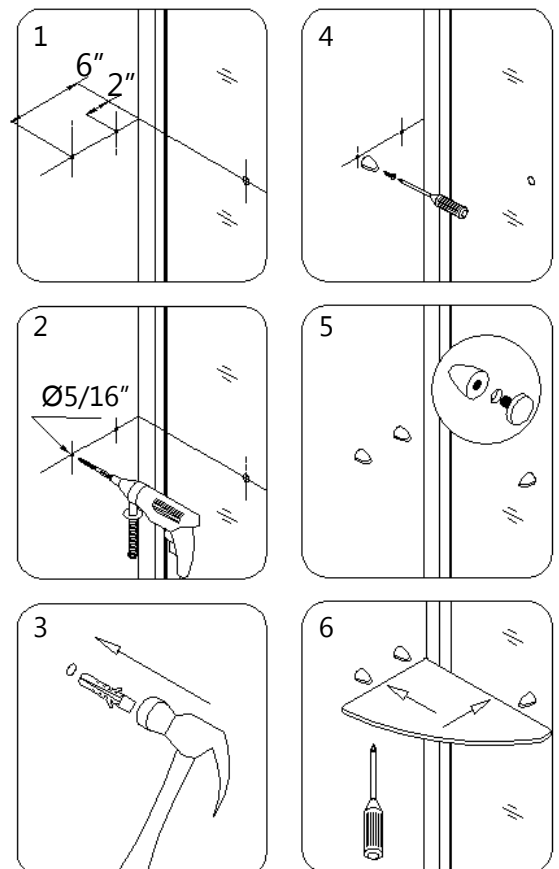


Fig 46

Product Maintenance

BASES and BACKWALLS: To ensure long lasting life for your acrylic back walls: wipe them off after each use with a soft cloth. To clean the acrylic back walls use non-abrasive sprays or cream based cleaners. Avoid the use of aerosol spray cleaners. Never use abrasive cleansers, metal brushes or scrapers that could scratch or dull the surface.

GLASS: To ensure long lasting life for your glass shower products: wipe them off after each use with a soft cloth. Rinse and wipe off the glass using either a soft cloth or a squeegee to prevent soap buildup and water spots (Hard water can etch the surface of the glass over time if left to dry). To prevent scratching the surface: never use abrasive cleaners or cleaning products that contain scouring agents. Never use bristle brushes or abrasive sponges that may scratch the surface.

HARDWARE: To ensure a long lasting finish: wipe off the metal parts after each use with a soft cloth. Do not use abrasive cleaners or cleaning products containing ammonia, bleach or acid. If accidentally used, rinse the surface as soon as possible to prevent damage to the finish (peeling or corrosion). After cleaning the polished finishes, rinse thoroughly and wipe dry with soft cloth. Clean stainless steel surfaces at least once a week. When applying stainless steel cleaner or polish to stainless steel hardware, work with (not across) the grain. Never use an abrasive sponge or cloth, steel wool or wired brush as these may permanently scratch the surfaces.

NOTE: To maximize the life of your door, it is important to regularly inspect the glass and other hardware for misalignment, proper attachment, and/or damage. Contact DreamLine with any questions or concerns.



TEL: [866-731-2244](tel:866-731-2244)

FAX: [866-857-3638](tel:866-857-3638)

DREAMLINE.COM

For more information on [DreamLine® Shower Doors](http://DreamLine.com) and [Enclosures](#) please visit DreamLine.com