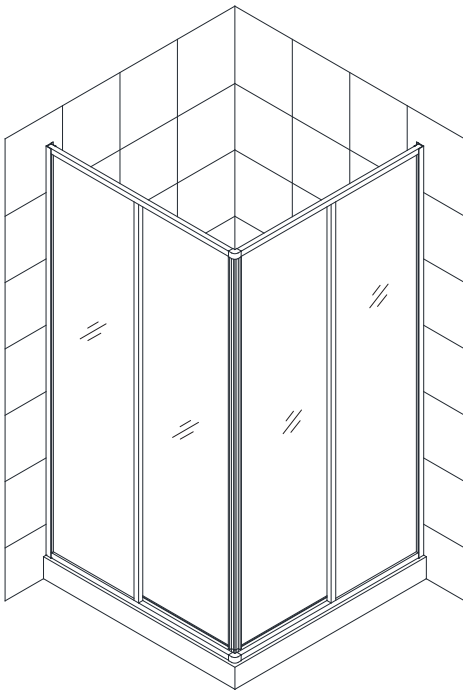


# CORNERVIEW / FRENCH CORNER

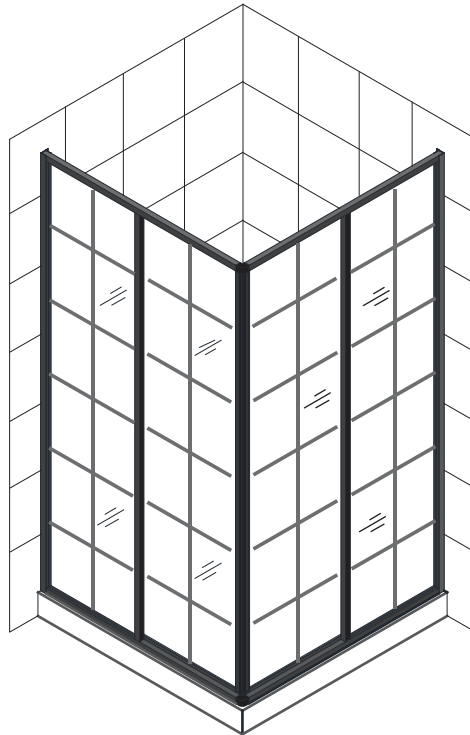
## SHOWER ENCLOSURE INSTALLATION INSTRUCTIONS

### IMPORTANT

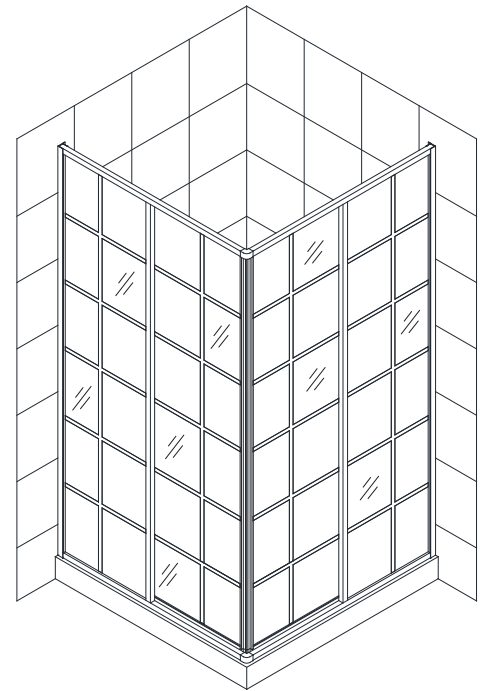
DreamLine<sup>®</sup> reserves the right to alter, modify or redesign products at any time without prior notice. Please refer to the model's web page on **DreamLine.com** for the latest technical drawings, installation manuals, warranty information or additional product details.



Cornerview Model#  
SHEN-8134340-01 (chrome)



French Corner Model#  
SHEN-8134340-89 (satin black)



French Corner Model#  
SHEN-8134340-00 (white)

Please review this entire manual prior to installation



### Questions?

Please Call **DreamLine Customer Support: 1-855-831-2126**  
Hours of Operation M-F 8AM - 7PM EST and Saturday 9AM - 5PM EST

[Support@DreamLine.com](mailto:Support@DreamLine.com)



For more information about DreamLine<sup>®</sup> Shower Doors, Tub Doors & Enclosures, please visit **DreamLine.com**

## **Table of Contents**

<b>Section title</b>	<b>Page #</b>
Preparation	2
Tools	3
Detailed Diagram of Shower Door Components	4
Parts List & Shower Enclosure Plan view	5
Installation Steps	6-11
Product Maintenance	12

## Preparation

1. Prior to installation, examine all boxes and packages for shipping damage and compare the piece count with the packing slip. After opening all boxes and packages read this introduction carefully. Check that all of the necessary parts are included in the package by checking off the components on the "Detailed Diagram of Shower Door Components". If the unit has been damaged, has a finishing defect, or has missing parts, please contact our customer support department within **3 business days** of the delivery date. **Please note that DreamLine® will not replace any damaged products or missing parts free of charge after 3 business days or if the product has been installed.** Contact DreamLine® if you have any questions, and please provide an order number, job name or other proof of purchase to help identify the original order.

**2. Please note that you should consult your local building codes with questions on installation compliance standards. Building and plumbing codes may vary by location, and DreamLine® is not responsible for code compliance standards for your project and will not accept any returns.**

3. If this unit is going to be installed in a new construction, please install all of the required plumbing and drainage before installing the shower. Use a competent and licensed (if required by local code) plumber for all plumbing installation

4. Make sure that prior to beginning the installation, the surfaces are leveled and solid and will be able to support the total weight of the unit. Also make sure the walls are at right angles. Irregular installation surface level, radius corners or improper angle of side walls will result in serious problems for your installation. Note that some adjustments and drilling will be necessary during the installation process.

5. Protect all primary surfaces of the product during installation. Never set the glass down directly onto a tile floor. Leave corner protectors in place until necessary to remove them. Always use a piece of wood or cardboard to protect the bottom edge and corners of the glass prior to and during installation.

6. This unit must be installed upon a finished threshold and against finished walls.

**7. This model has 1/2" of adjustment for out-of-plumb wall conditions within the wall profiles.**

8. This model requires a minimum of **1"** of flat threshold space for installation.

**9. Professional installation recommended.**

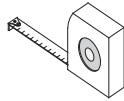


This enclosure is available with clear glass as the "Cornerview", or with patterned glass as the "French Corner". The clear glass "Cornerview" model will be used as an example throughout this manual.

# Tools



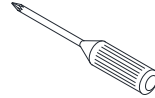
Level



Tape Measure



Pencil



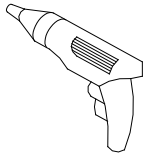
Phillips Screwdriver



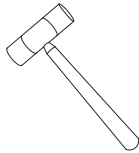
Drill bit  
Ø5/16"  
(8mm)



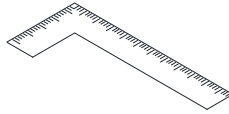
Drill bit  
Ø1/8"  
(3mm)



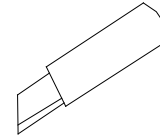
Power Drill



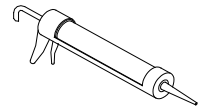
Soft Head Hammer



Carpenter's Square



Razor Knife



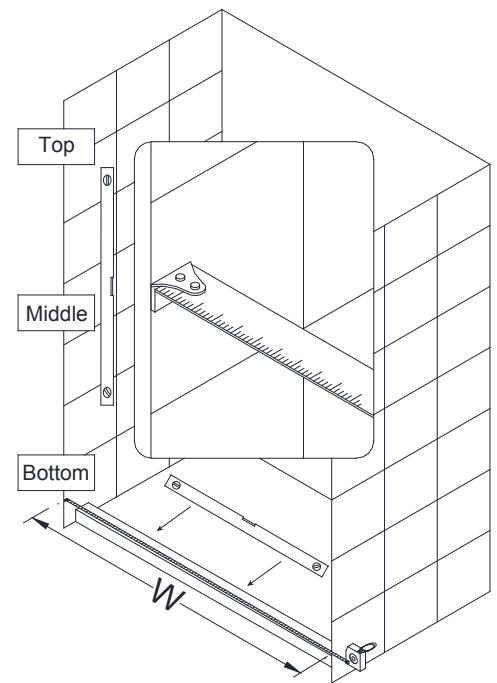
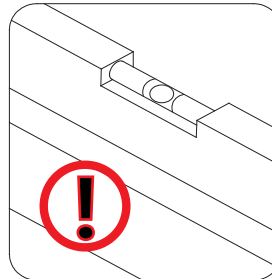
100% Silicone

**Tip:** Measure the finished opening before proceeding with the installation to be sure that the correct model size has been ordered.

**Tip:** Prior to installation, cover the shower/tub drain with tape to prevent losing screws or small parts.

**Tip:** Set screw gun clutch to low setting when installing screws and bolts to prevent stripping the heads.

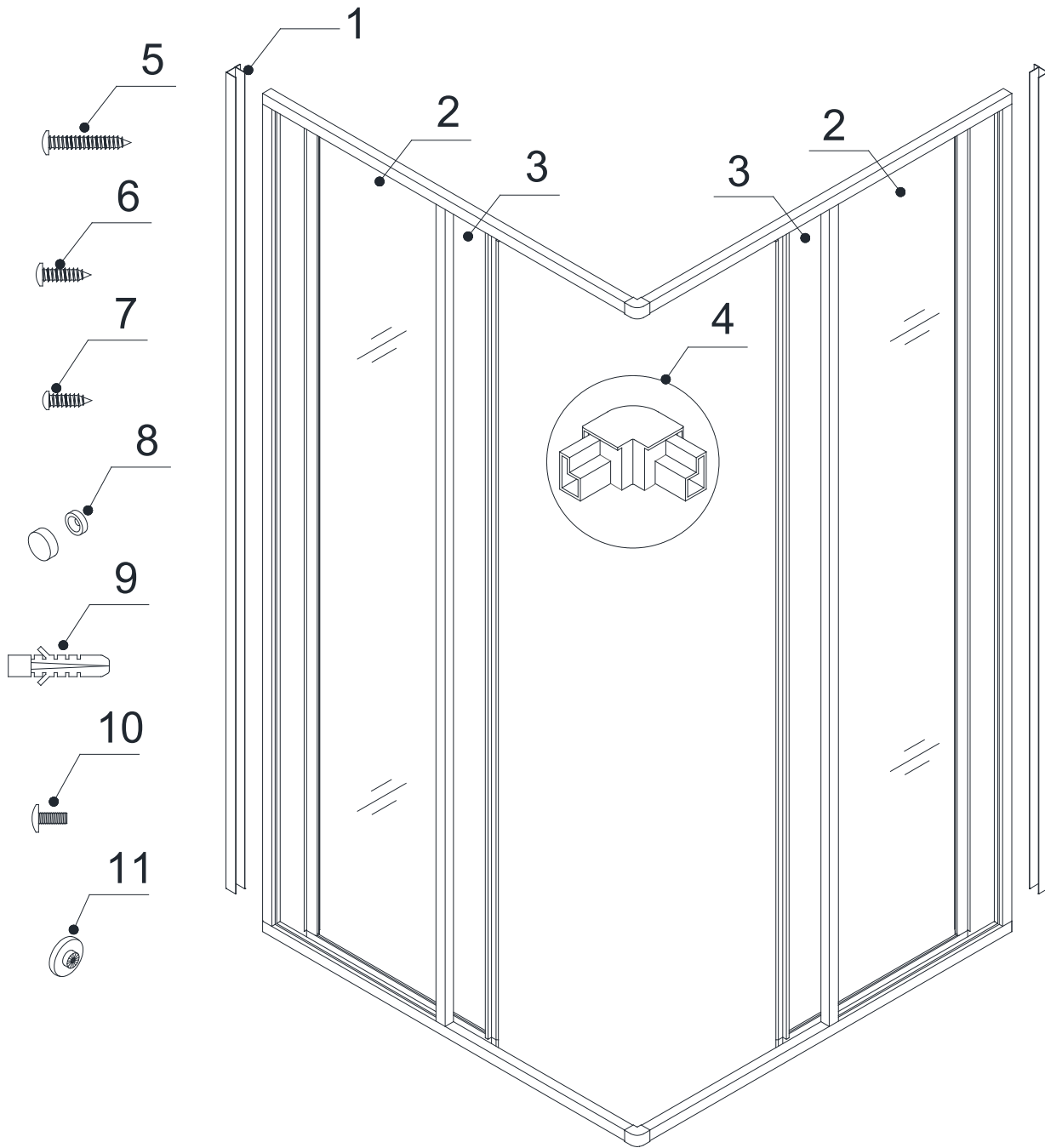
Threshold must be level.



**NOTE:** Unpack your unit carefully and inspect it. Lay it out and identify all parts using the detailed diagram and packing list in this manual as a reference. Before discarding the carton, check for small hardware bags that may have fallen to the bottom of the box. If any parts are damaged or missing, please contact DreamLine® for replacement. The shipping boxes may contain extra parts not used in your model configuration.

**NOTE:** Retain these installation instructions for future reference.

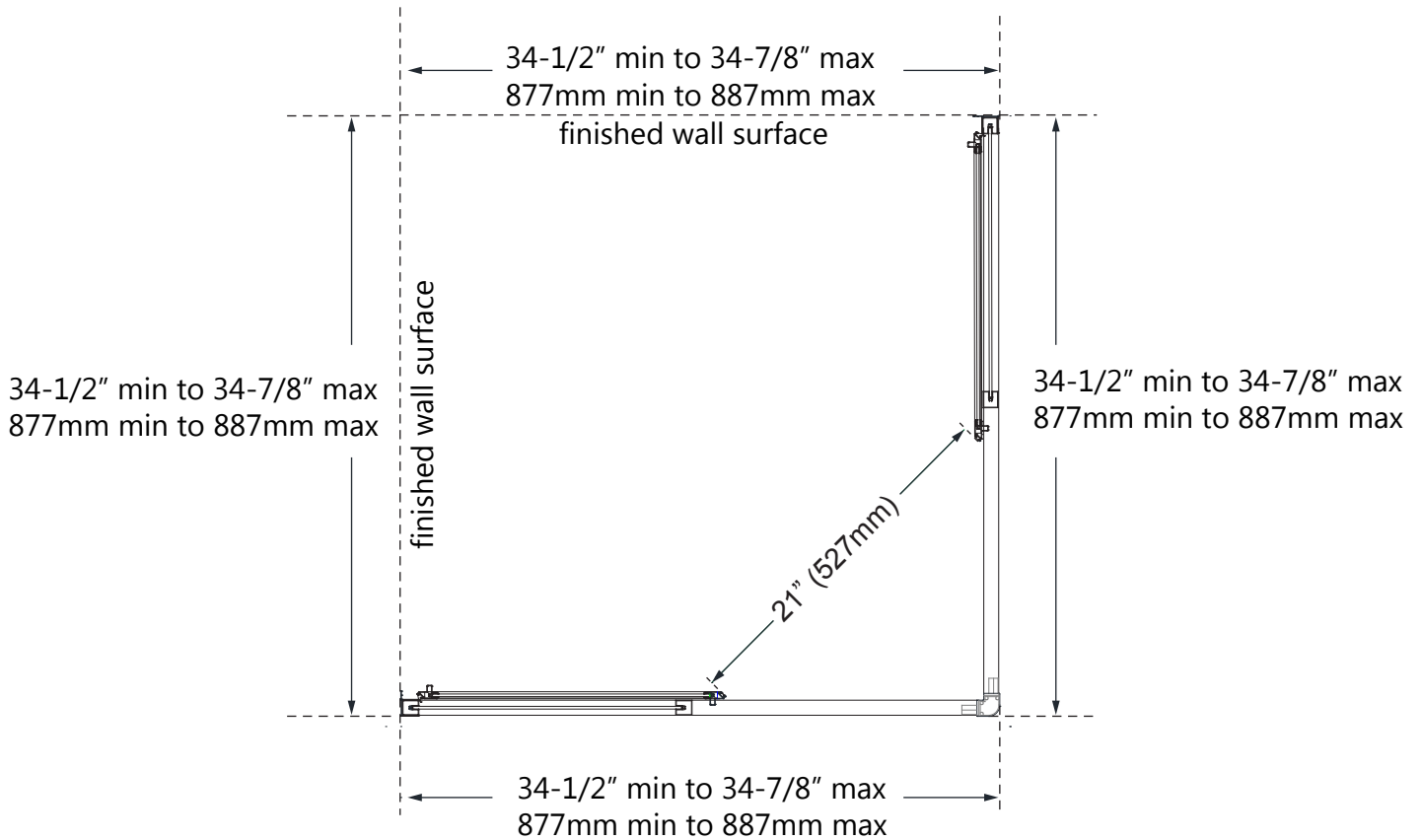
# Detailed Diagram of shower door components



# Parts List

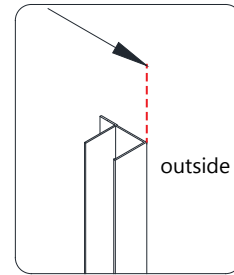
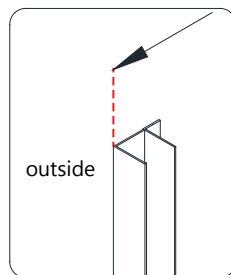
Part#	DESCRIPTION	QTY	Part#	DESCRIPTION	QTY
01	Wall profile	2pcs	07	Round head screw ST4.2x10	4pcs
02	Stationary glass assembly	2pcs	08	Decorative cover and washer	4pcs
03	Door glass	2pcs	09	Wall anchor	8pcs
04	Rail connector	2pcs	10	Bolt M5x8	8pcs
05	Truss head screw ST4.2x40	8pcs	11	Door wheel	8pcs
06	Truss head screw ST4.2x10	4pcs			

## Shower Enclosure Plan

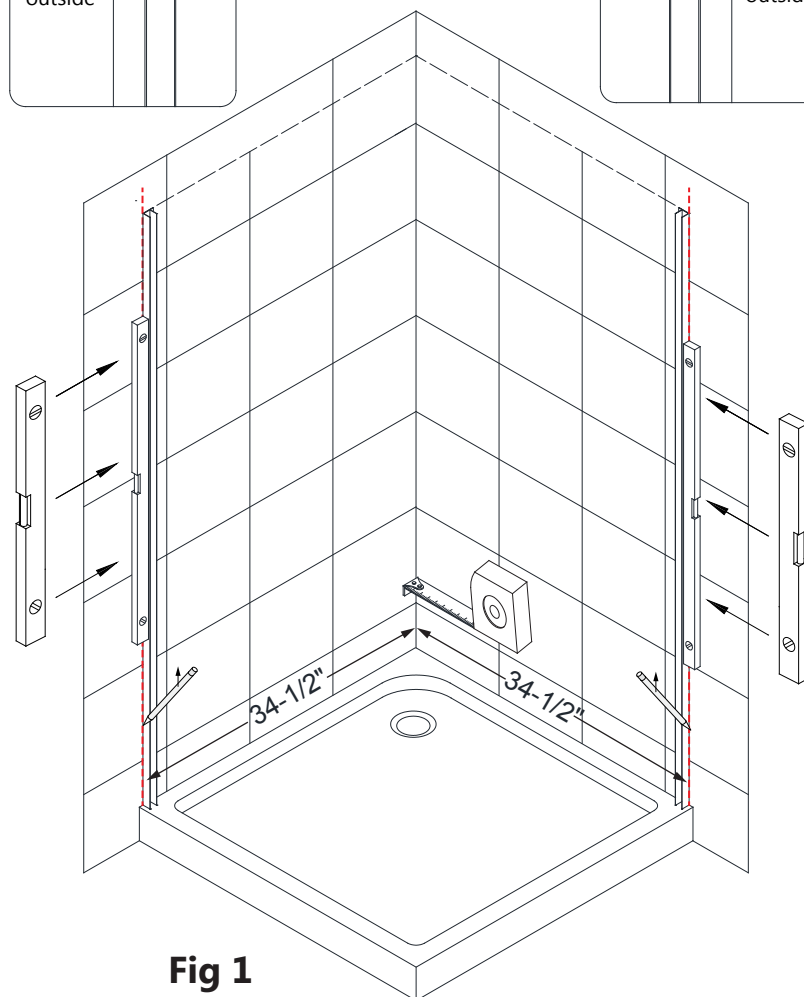


## Installation steps

**1.** Place the **Wall Profiles (#01)** onto the threshold at a distance of **34-1/2"** from the finished corner of the opening and mark their position on the wall at the threshold. Use a level to align the **Wall Profiles (#01)** vertically and mark the wall. **(Refer to the Shower Enclosure Plan on page 5 and Fig 1)**

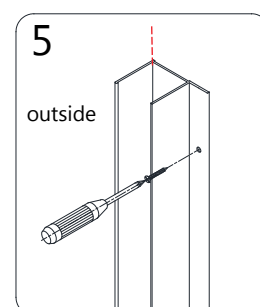
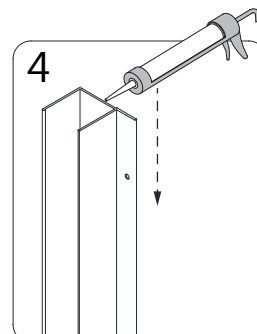
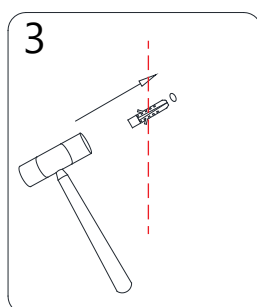
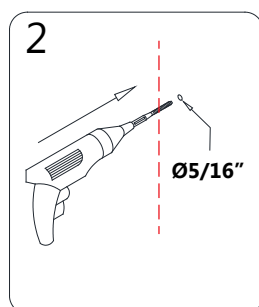
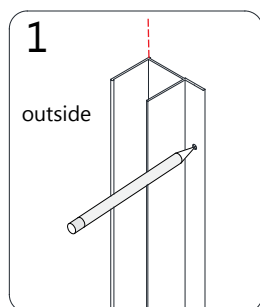


Measure from the finished corner of the shower to the outside of the wall profile at the threshold and draw a plumb line up from there.



**Fig 1**

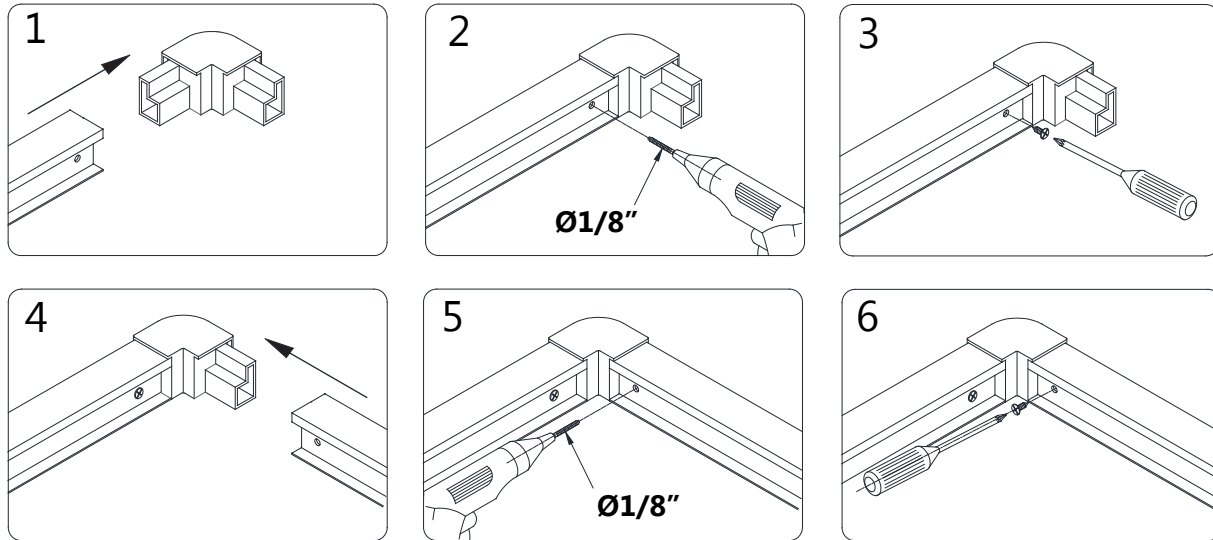
**2.** Mark the drilling holes on the wall through the predrilled holes in the **Wall Profiles (#01)**. Drill the holes in the wall using a **Ø5/16"** drill bit and insert the **Wall Anchors (#09)**. Run a bead of silicone along the back surface of the **Wall Profiles (#01)** and around the holes in the wall. Attach the **Wall Profiles (#01)** to the wall using the **Truss Head Screw ST4.2×30 (#05)**. **(Fig 2)**



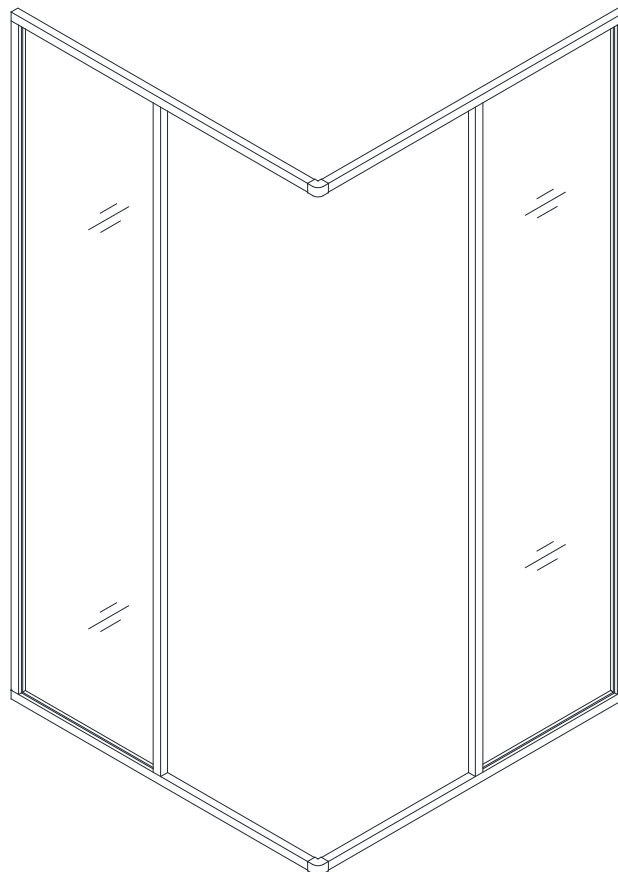
**Fig 2**

**3.** Insert the **Rail Connector (#04)** into the guide rails of the **Stationary Glass Assembly (#02)**. Drill a hole into the outer layer of the **Rail Connector (#04)**, through the predrilled hole in the guide rails using an **Ø1/8"** drill bit. Fasten the top and bottom **Rail Connector (#04)** to the guide rails with the **Flat Head Screw ST4.2×10 (#06)**. (Fig 3a and Fig 3b)

**!** **NOTE:** To prevent damaging the Rail Connector (#04), tighten but **Do Not** overtighten the screws.



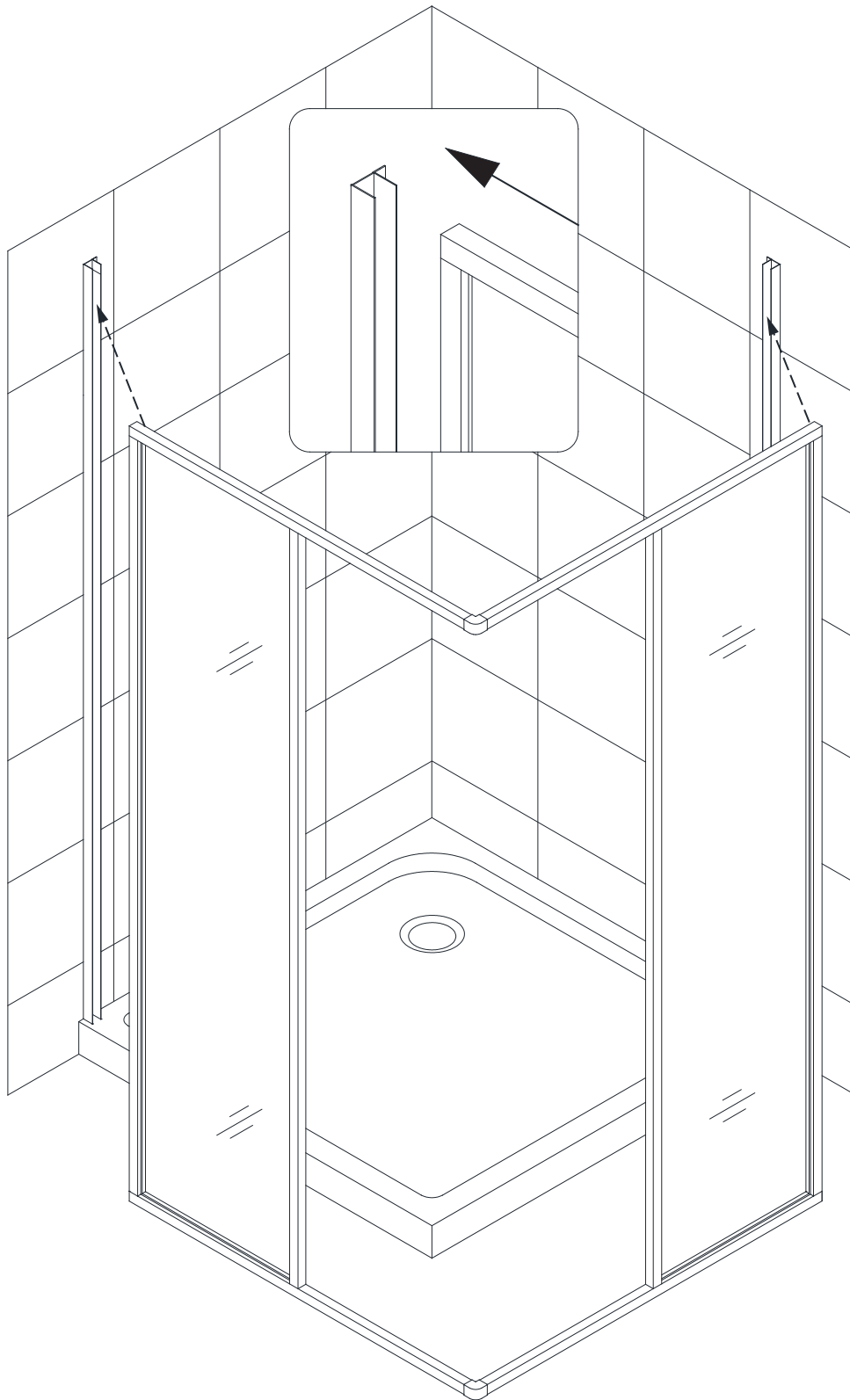
**Fig 3a**



**Fig 3b**



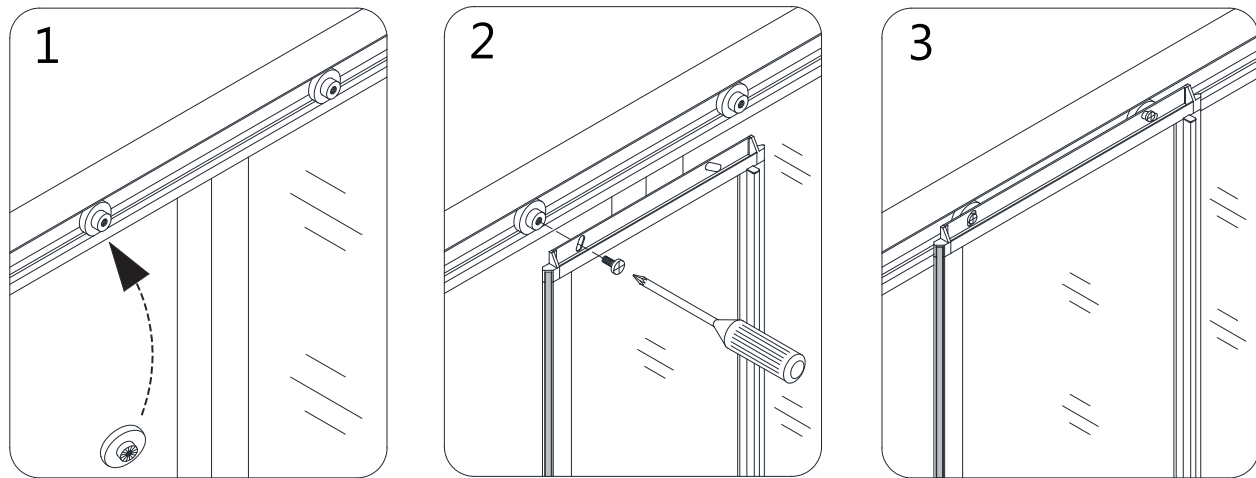
**4.** Carefully align the assembled **Stationary Glass Panels (#02)** onto the Shower base and insert the **Glass Profiles** into the **Wall Profiles (#01)**. (**Fig 4**)



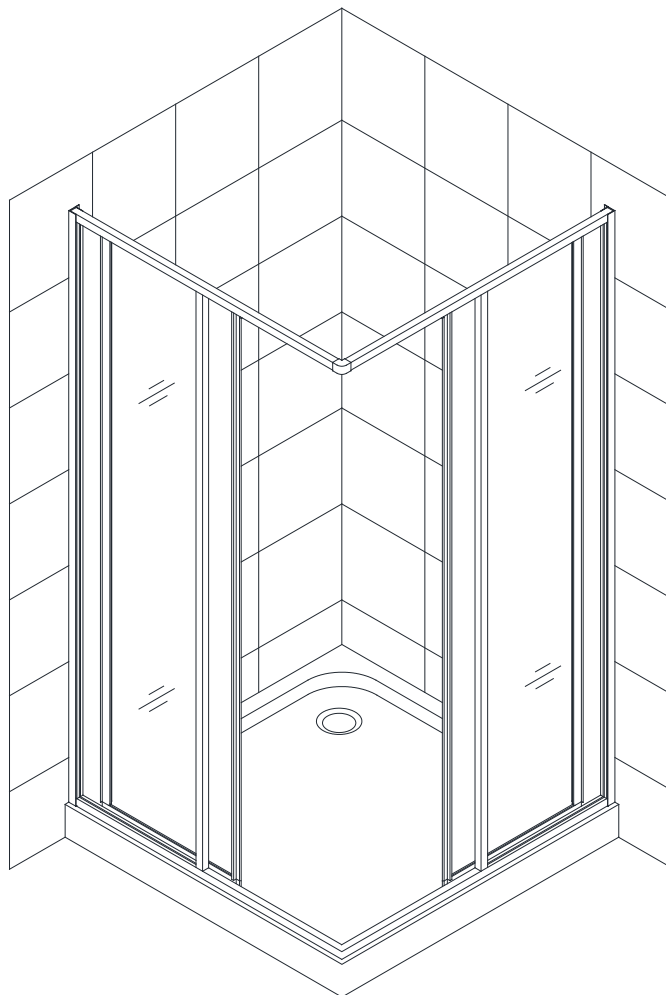
**Fig 4**

**5.** Insert two **Door Wheels (#11)** into the groove of the **Upper Guide Rail**, then attach the **Door Glass (#03)** to the **Door Wheels (#11)** using the **Bolts M5×8 (#10)**.

Repeat this procedure to attach the **Door Glass (#03)** to the **Door Wheels (#11)** in the **Bottom Guide Rail**. Be sure to install the doors so that the magnetic vinyl seals will meet in the corner. (**Fig 5a** and **Fig 5b**)



**Fig 5a**




**Fig 5b**

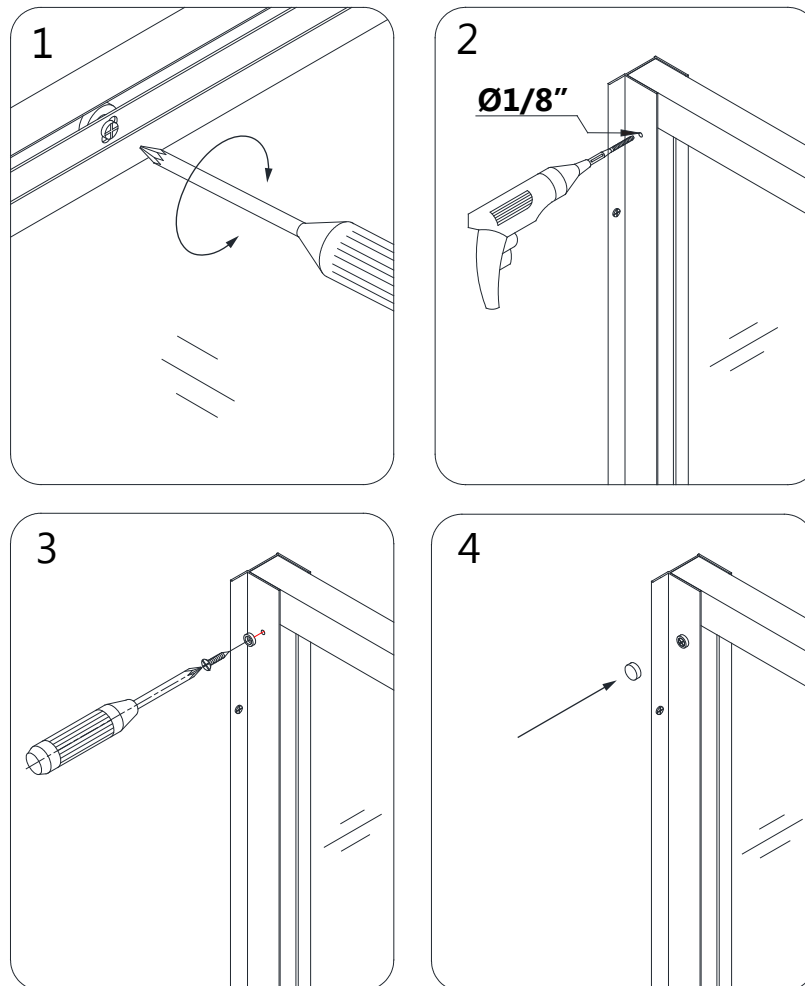
**6.** For smoother operation, if necessary, adjust the position of the **Door Wheels (#11)** within the slot in the **Door Glass (#03)** rail.

Perform any final adjustments of the assembled unit within the **Wall Profiles (#01)** and make certain that the bottom rails are tight to the threshold.

From inside the shower, drill holes into the first layer of the **Wall Profile** and the **Glass Profile** (Fig 6.2) using an **Ø1/8"** drill bit.

Secure the **Glass Profile** to the **Wall Profile** using the **Round Head Screws ST4.2×10 (#07)** and **Washers (#08)** and cover the exposed screws and washers with the **Decorative Covers (#08)**.  
(Fig 6)

 **NOTE:** Do not drill the profile throughout, only through the first layer of the wall profile.

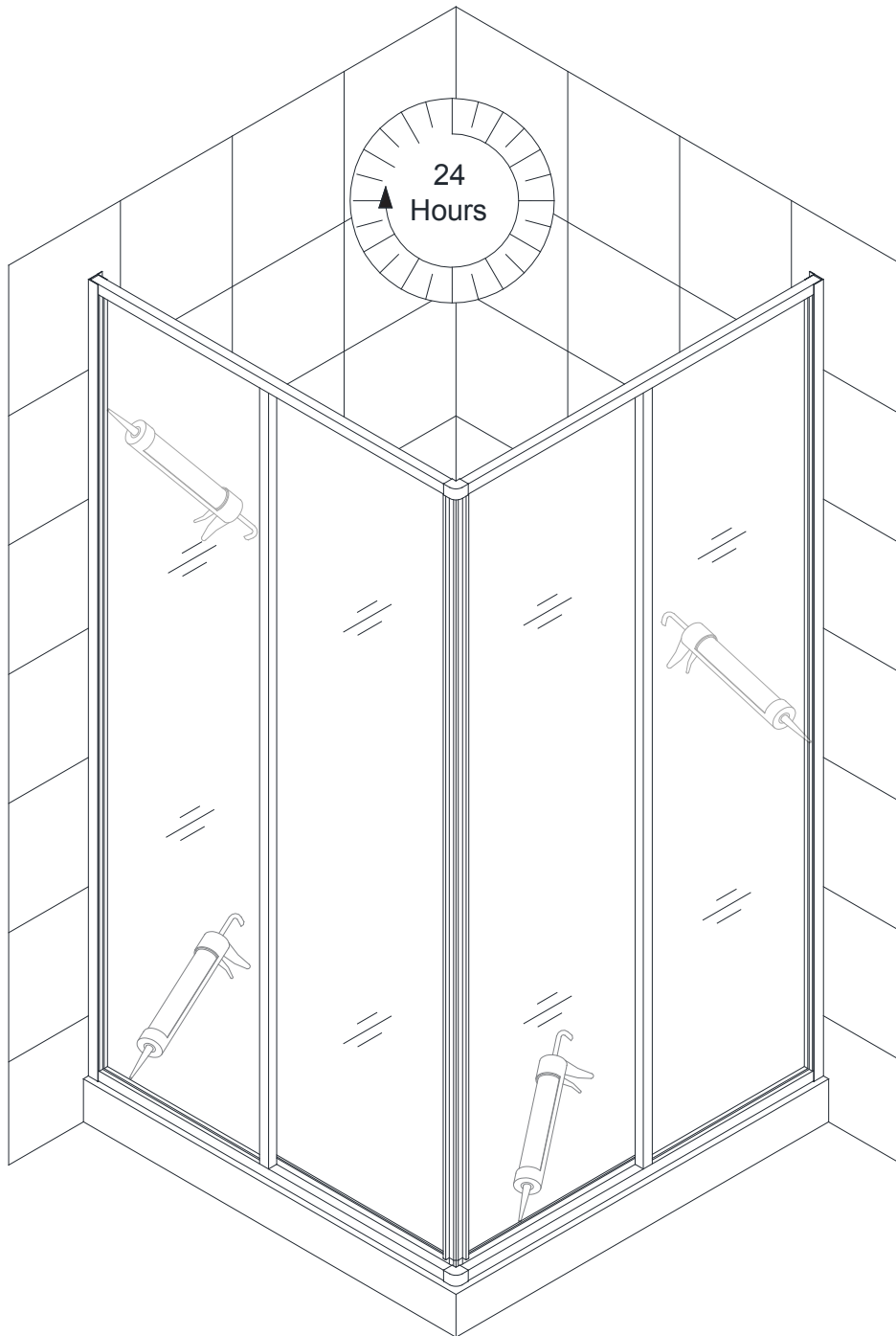


**Fig 6**

**7.** Use a good quality mildew-resistant silicone to seal the connections between the Wall Profiles and the walls, and where the Bottom Guide Rail meets the threshold. **(Fig 7)**



**Allow 24 hours for the silicone to cure before using the shower.**



**Fig 7**

## Product Maintenance

**BASES and BACKWALLS:** To ensure long-lasting life for your acrylic back walls, wipe them off after each use with a soft cloth. To clean the acrylic back walls use non-abrasive sprays or cream based cleaners. Avoid the use of aerosol spray cleaners. Never use abrasive cleansers, metal brushes or scrapers that could scratch or dull the surface.

**GLASS:** To ensure long-lasting life for your glass shower products, wipe them off after each use with a soft cloth. Rinse and wipe off the glass using either a soft cloth or a squeegee to prevent soap buildup and water spots (Hard water can etch the surface of the glass over time if left to dry). To prevent scratching the surface: never use abrasive cleaners or cleaning products that contain scouring agents. Never use bristle brushes or abrasive sponges that may scratch the surface.

**HARDWARE:** To ensure a long-lasting finish, wipe off the metal parts after each use with a soft cloth. Do not use abrasive cleaners or cleaning products containing ammonia, bleach or acid. If accidentally used, rinse the surface as soon as possible to prevent damage to the finish (peeling or corrosion). After cleaning the polished finishes, rinse thoroughly and wipe dry with a soft cloth.

Clean stainless steel surfaces at least once a week. When applying stainless steel cleaner or polish to stainless steel hardware, work with (not across) the grain. Never use an abrasive sponge or cloth, steel wool or wired brush as these may permanently scratch the surfaces.

**NOTE: To maximize the life of your door, it is important to regularly inspect the glass and all hardware for misalignment, proper attachment, and/or damage. Contact DreamLine® with any questions or concerns.**

**DreamLine® shower doors and enclosures are designed not to leak when installed properly and the flow of water is not pointed directly at the vinyl seals.**



**DREAMLINE**<sup>®</sup>  
THE ULTIMATE SHOWER DOOR

---

TEL: 866-731-2244  
FAX: 866-857-3638  
DREAMLINE.COM

For more information on DreamLine<sup>®</sup> Shower Doors and Enclosures please visit **DreamLine.com**