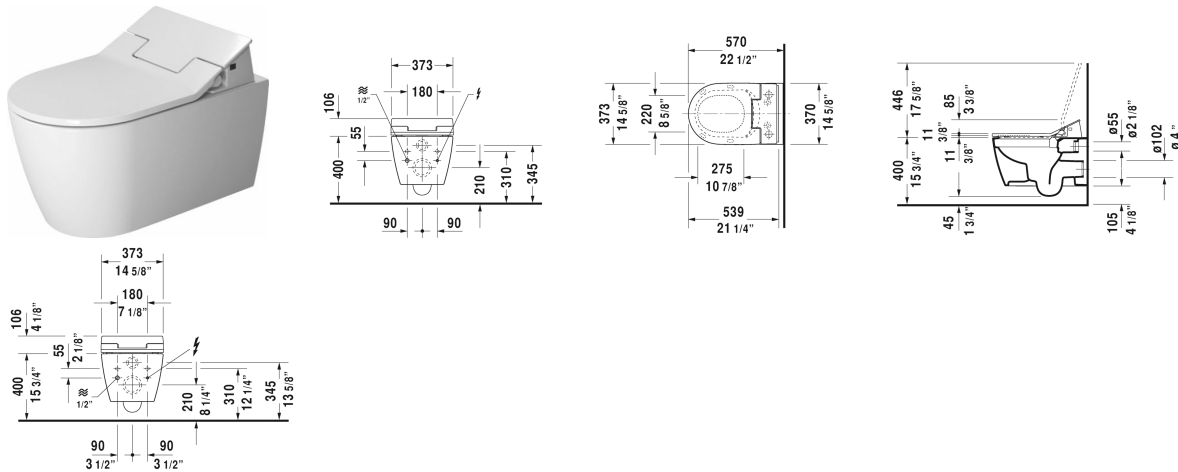


ME by Starck Toilet wall-mounted Duravit Rimless for SensoWash® & # 252959..92 / 252959..92

< 14 3/8" Inch >



Toilet wall-mounted Duravit Rimless for SensoWash®	Dimension	Weight	Order number
rimless, washdown model, Durafix included, only in combination with SensoWash, connecting elements for SensoWash with concealed connections included, cUPC® listed*			
Colors			
00 White 20 HygieneGlaze (an antibacterial ceramic glaze that provides almost indefinite effectiveness)			
Variant			
● 1.28/0.8 gpf	14 3/8" x 22 1/2" Inch	57.3 lb	252959..92
● 1.28/0.8 gpf	14 3/8" x 22 1/2" Inch	57.3 lb	252959..92
Infobox			
Durafix for concealed installation is included, Wall-mounted toilet is ADA compliant, when installed with a seat height of 17" - 19" from the finished floor, * Complies with following standards: ASME A112.19.2/CSA B45.1 and ASME A112.19.14, In-wall tank & carrier and actuator plate required for installation, If using in-wall tank & carrier other than DuraSystem, # 100691 is mandatory for SensoWash® installation			
Sanitary ceramics with the special WonderGliss surface finish will remain clean and attractive-looking for a long time to come. When ordering WonderGliss please add a "1" as eleventh digit to the model number.			
Actuator plate A1, for toilet, plastic mechanical actuation, for surface mounted installation, dual flush, mounting frame, mounting hardware included, push rods, front plate plastic	8 1/2" x 5 3/4" Inch	0.7 lb	WD5008

**ME by Starck Toilet wall-mounted Duravit Rimless for
SensoWash® ⚡ # 252959..92 / 252959..92**

|< 14 3/8" Inch >|

<p>Toilet in-wall tank & carrier, Standard For 2"x4" and 2"x6" wall installation, for toilets with a projection of <= 24 5/8", adjustable feet 0" - 9 1/2", SensoWash ready, mechanical front flush actuation, includes in-wall tank, marking of filling height, dual flush, insulated against condensation, Scope of delivery, HDPE wall-mounted toilet connection bend DN 90/90, PE wall-mounted toilet connection set DN 90, wall-mounted mounting rods M12, mounting hardware included, 2 bolt caps, cUPC® listed*</p>	<p>23 1/4" x 45 1/4" Inch 35.3 lb</p>	<p>WD1022</p>
<p>Connecting set in combination with SensoWash shower-toilet seat</p>		<p>100691</p>
<p>Pre-installation set in combination with SensoWash, for in-wall carrier with horizontal support without shower toilet pre-installation/conduit pipe</p>		<p>005072</p>
<p>Noise reduction gasket for wall-mounted toilet</p>		<p>0.7 lb 005064</p>
<p>Suitable products</p>		
<p>SensoWash® Slim shower-toilet seat for ME by Starck, Starck 2, Starck 3 and Darling New* Rear-, Lady- and Comfortwash, with slow close, night light, remote control included, locking function via remote control, self-cleaning wand, on / off-button, with concealed connections, automatic drainage in periods of prolonged disuse, 14 3/4" x 21 1/4" Inch</p>	<p>14 3/4" x 21 1/4" Inch</p>	<p>611000</p>

All drawings contain the necessary measurements which are subject to standard tolerances. They are stated in inch & mm and are non-binding. Exact measurements, in particular for customized installation scenarios, can only be taken from the finished ceramic piece.