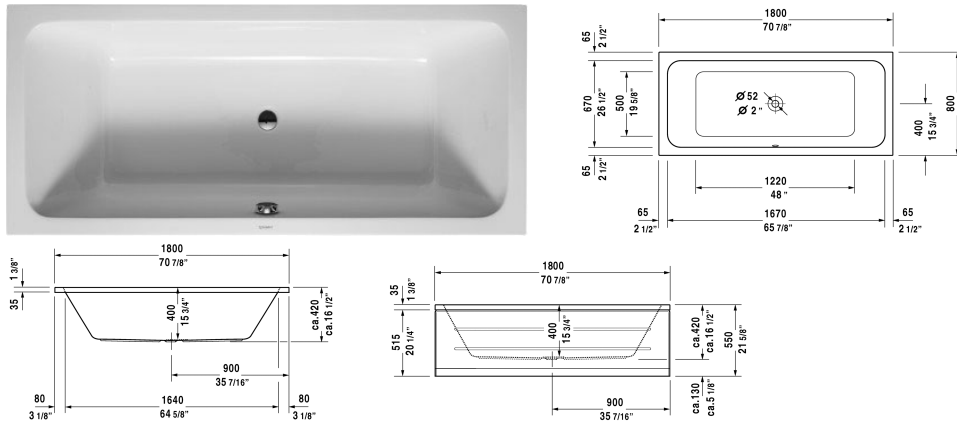


D-Code Bathtub # 700101000000090

| < 70 7/8" Inch > |



Bathtub	Dimension	Weight	Order number
rectangle, with two backrest slopes, central outlet, cUPC® listed*, Sanitary acrylic, Filling capacity 40 gal			
Colors			
00 White			
Variant			
drop-in, undermount or for panel, incl. support frame, Base tub 70 7/8" x 31 1/2" Inch		52 lb	700101000000090
Infobox			
* Complies with the following standards: CSA B45.5/IAPMO Z124, Minimum order qty. = 10 pcs.			
Suitable products			
Tile flange ,			790112
Bathtub anchors for mounting and support of D-Code bathtubs and shower trays, 3 pieces,			790125
Panel front, for D-Code bathtubs, *, 70 7/8",			701042
Panel right, for D-Code bathtubs, *, 31 1/2",			701045
Panel left, for D-Code bathtubs, *, 31 1/2",			701048
Cable-driven waste and overflow for central outlet,			790252
Cable-driven waste and overflow brass,			790250
Support frame (included), for D-Code bathtubs,			790133

All drawings contain the necessary measurements which are subject to standard tolerances. They are stated in inch & mm and are non-binding. Exact measurements, in particular for customized installation scenarios, can only be taken from the finished ceramic piece.