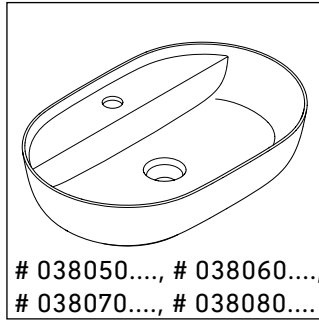
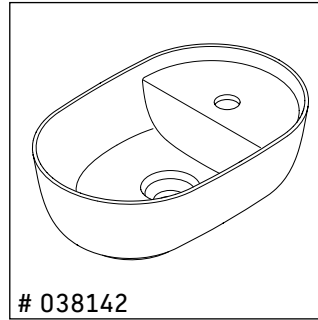


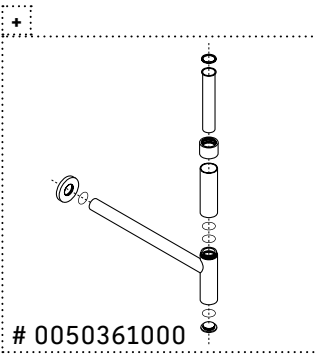
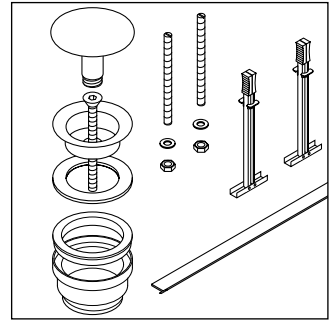
037950..., # 037960...,
037970..., # 037980...



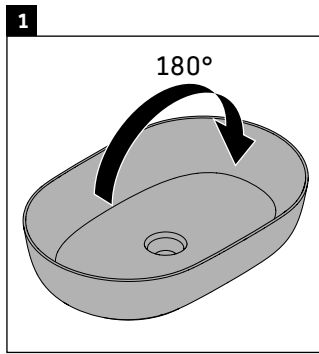
038050..., # 038060...,
038070..., # 038080...



038142

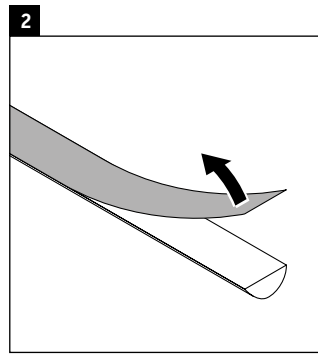


0050361000

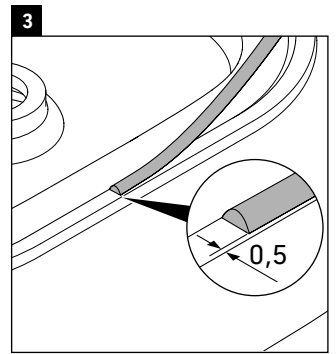


1

180°

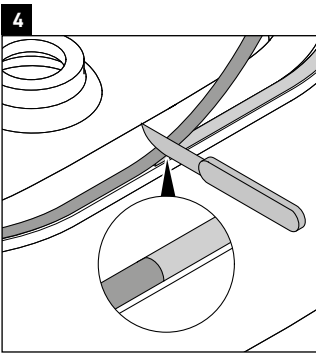


2

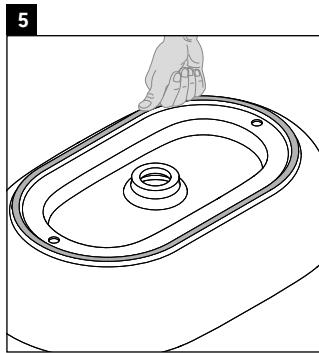


3

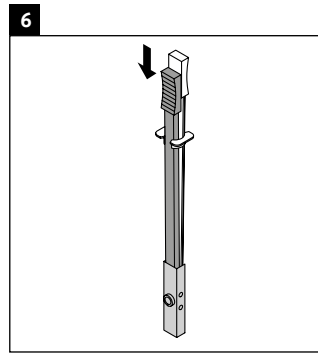
0,5



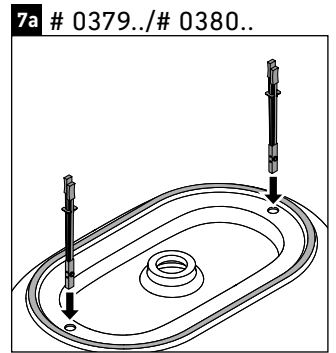
4



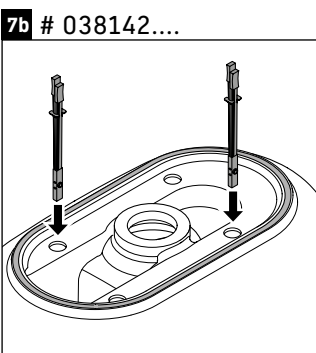
5



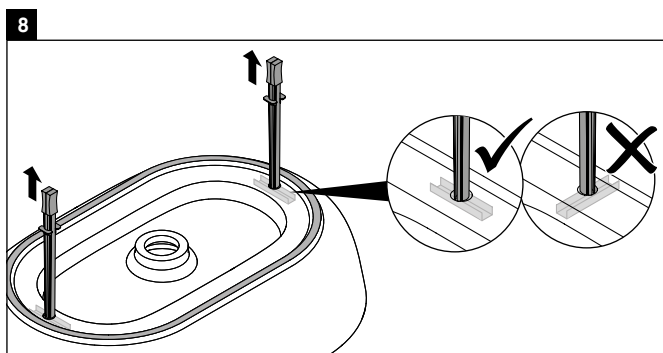
6



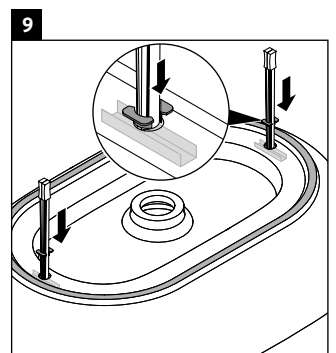
7a # 0379../# 0380..



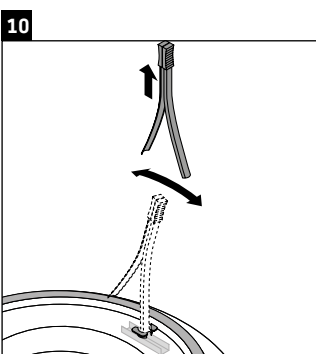
7b # 038142....



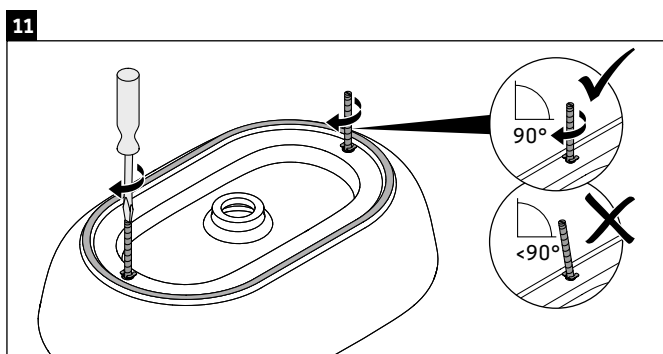
8



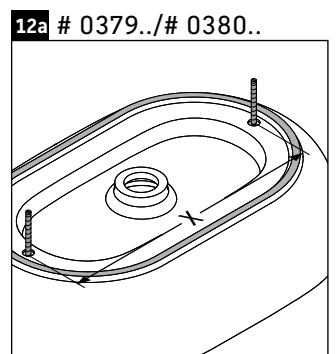
9



10



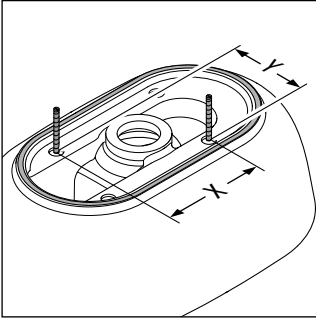
11



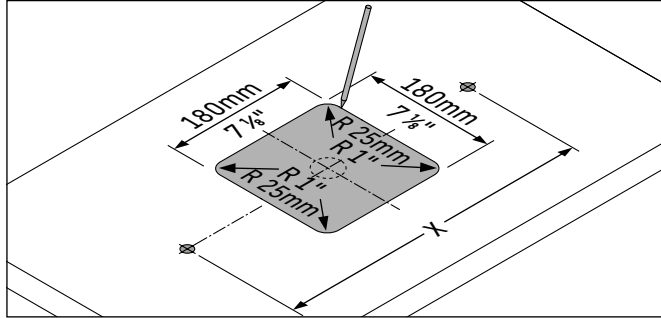
12a # 0379../# 0380..



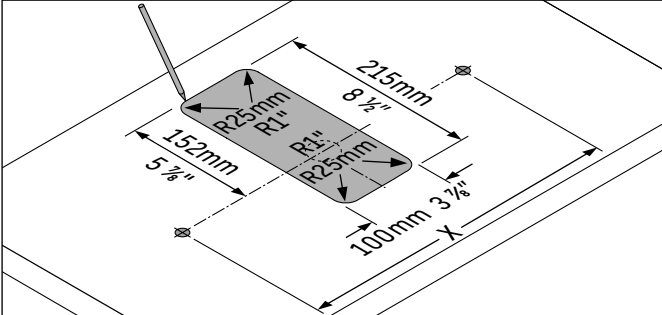
12b # 038142....



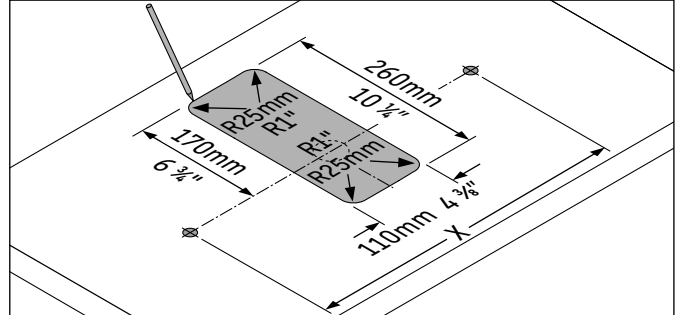
13a # 037950...., # 037960...., # 037970...., # 037980....



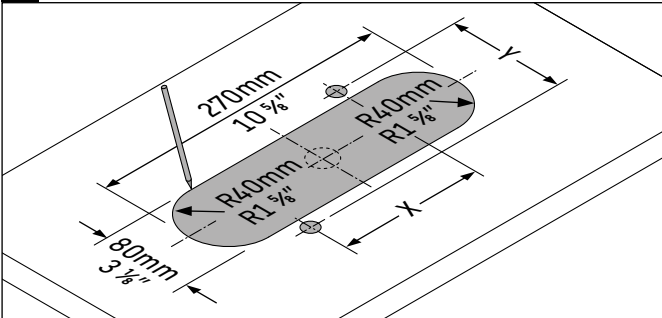
13b # 038050....



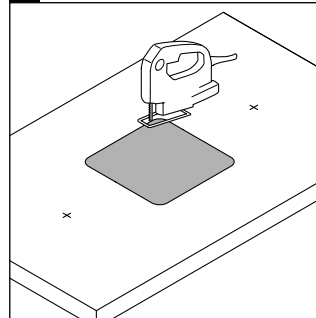
13c # 038060...., # 038070...., # 038080....



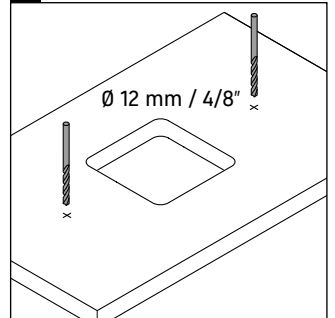
13d # 038142....



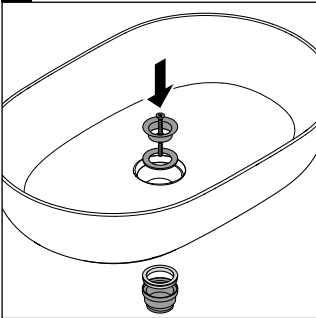
14



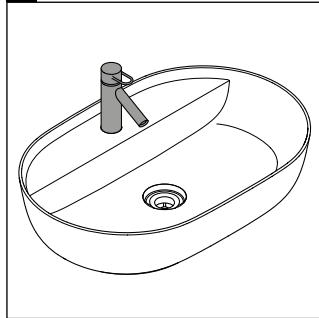
15



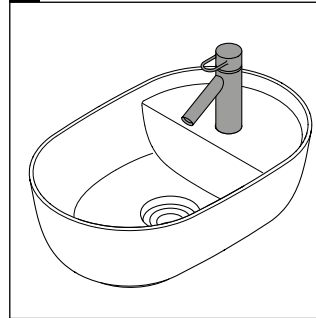
16



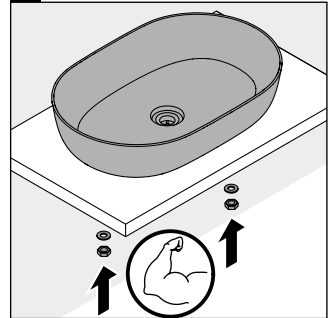
17 # 0380....



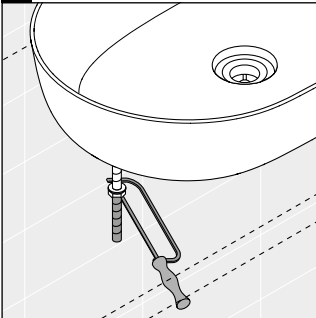
18 # 038142....



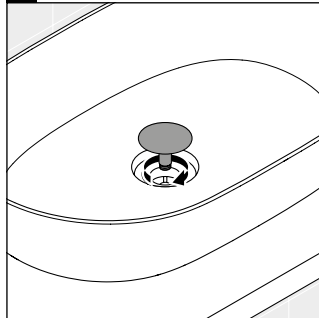
19



20



21



22

