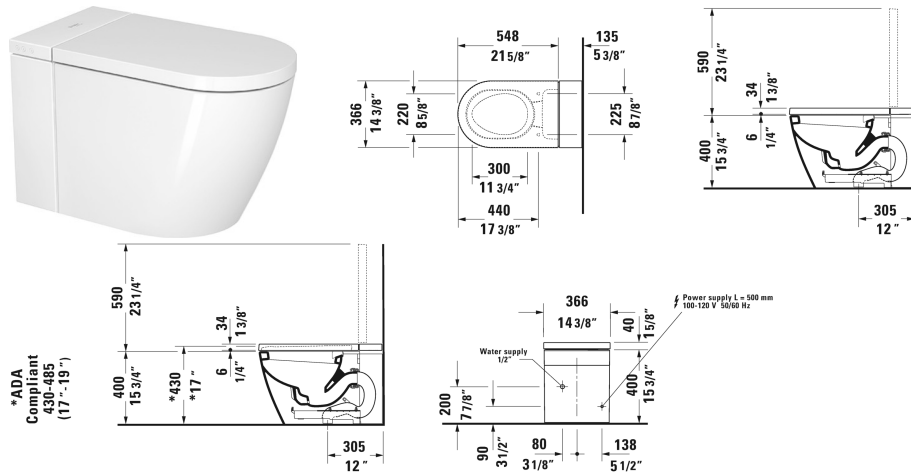


SensoWash® i SensoWash® i Lite integrated shower-toilet & # 620000011401310

| < 14 1/2" Inch > |



SensoWash® i Lite integrated shower-toilet	Dimension	Weight	Order number
Rear-, Lady- and Comfortwash, vertical outlet, heated seat, Intelligent energy-saving mode, warm air dryer, individual adjustment of water-, air- and seat surface temperature as well as nozzle position and jet strength, Auto flush, with integrated flushing system, pre-flush, descaling function, night light, remote control included, app operation, self-cleaning wand, seat/lid material thermoplastic, on / off-button, 17 3/8" Inch			
Colors			
00 White			
Variant			
AC 100-120V, 50-60 Hz, panels White, rimless, WaterSense® listed	14 1/2" x 26 7/8" Inch	105.8 lb	620000011401310
Infobox			
* Complies with following standards: ASME A112.19.2/CSA B45.1 and ASME A112.19.14, Complies with following standards: ASME A112.4.2/CSA B45.16, UL 1431, CSA C22.2 No. 68-14 and CSA C22.2 No. 64-14			

All drawings contain the necessary measurements which are subject to standard tolerances. They are stated in inch & mm and are non-binding. Exact measurements, in particular for customized installation scenarios, can only be taken from the finished ceramic piece.