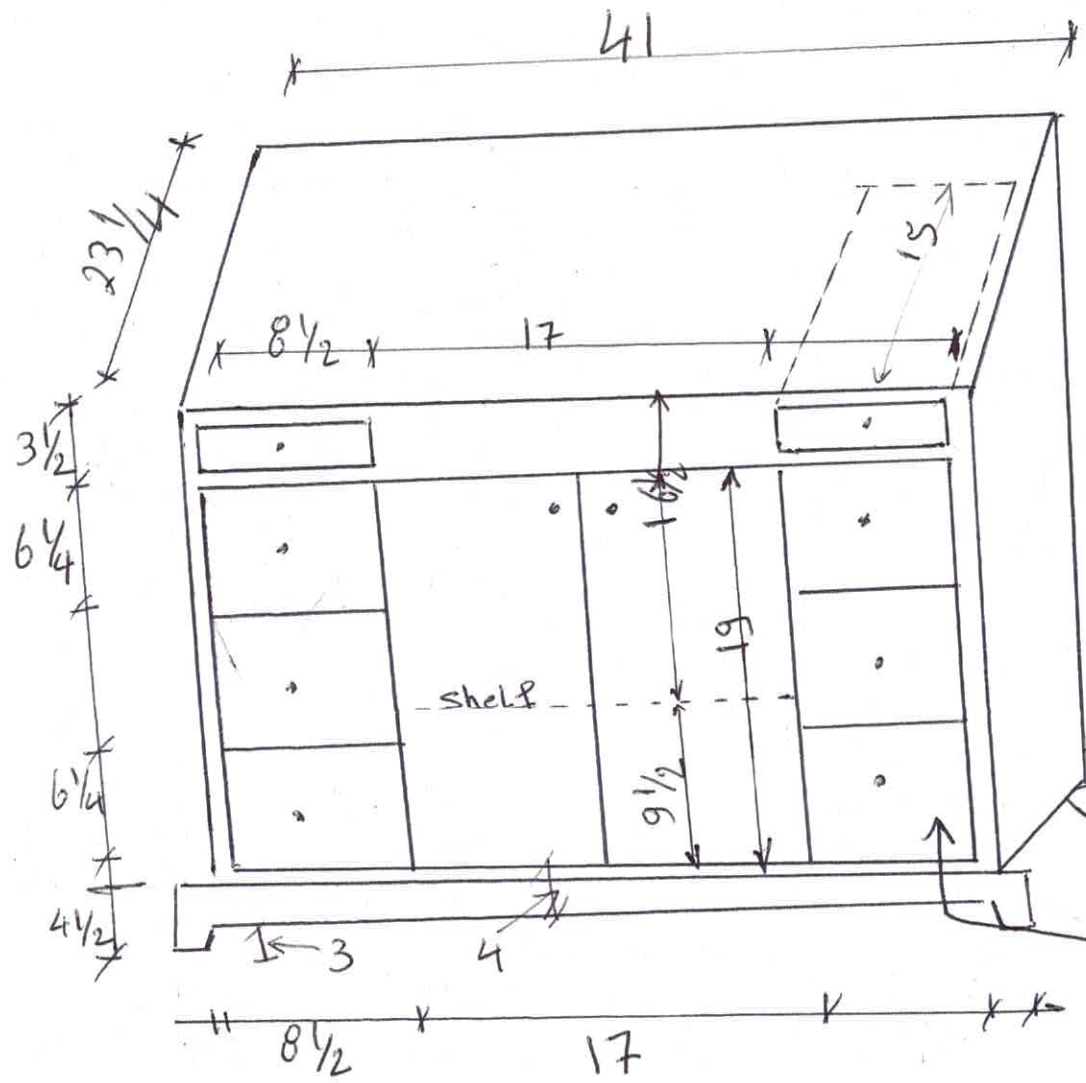
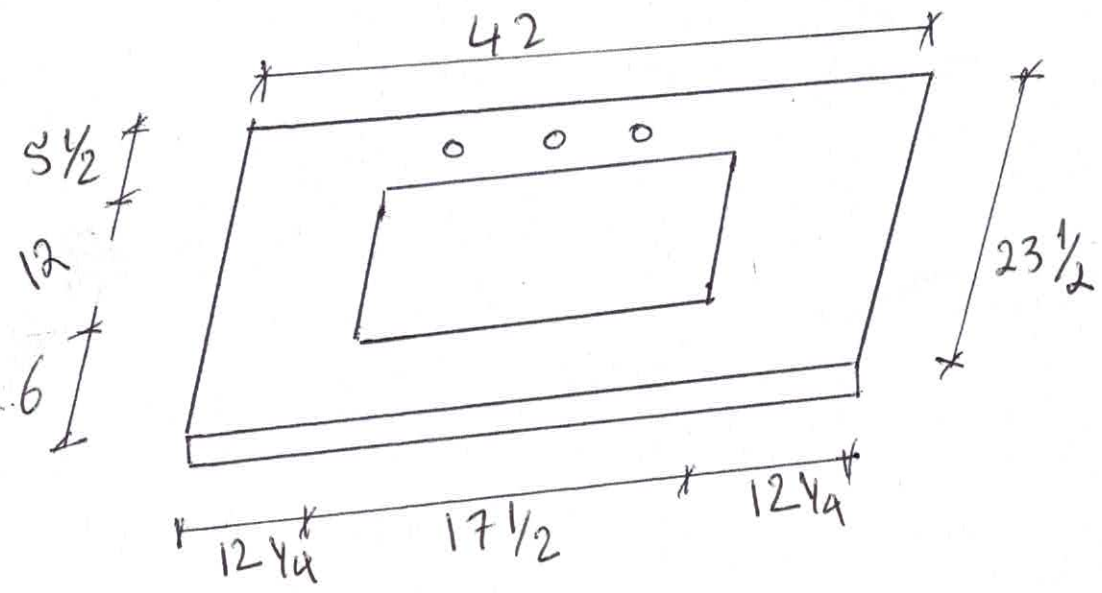


E V N 707-42

vanity + TOP one BOX



vanity
Box
45 * 27 * 39
weight
233 Ib

33"

8 1/2 * 6 1/4 * 15