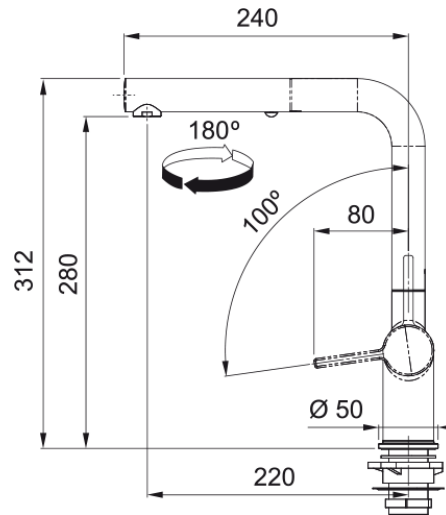


Active Pull-Out Faucet - ACT-PO-PWT | 115.0656.851



Technical Data

Aspect

Spout type	L - spout
Color	Bi-chrome/polar white
Type of material	Brass
Flexible pullout hose material	Nylon grey
Spray head material	Brass

Product Dimensions

Faucet hole diameter	35 mm
Cartridge dimension	35 mm

Installation

Mounting type	Shank
Water supply hose connection	1/2"
Water supply hose length	450 mm

Product specifications

Pressure	High pressure
Faucet type	Pull-out spray
Faucet operation	Side lever
Faucet rotation	180°

Product identification

Product brand	FRANKE
Product family	Maris
Collection	Active

Features

Water saving feature	Yes
Type of aerator	Laminar

Features

