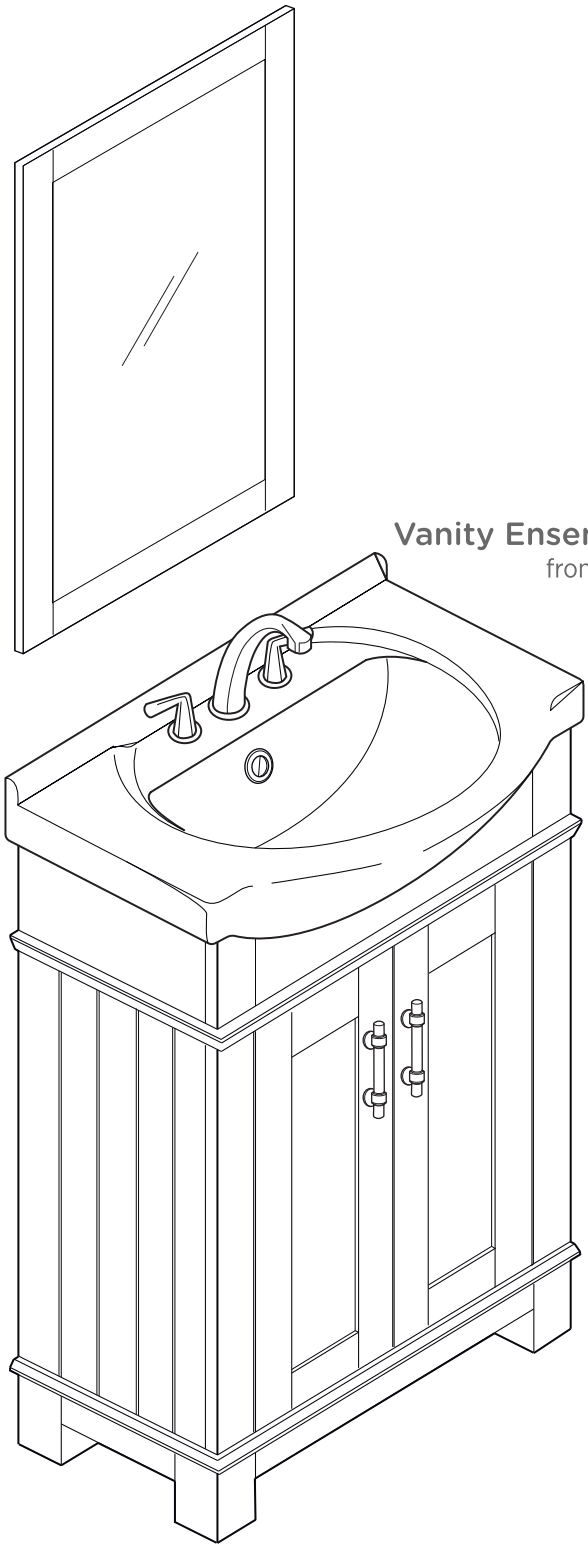


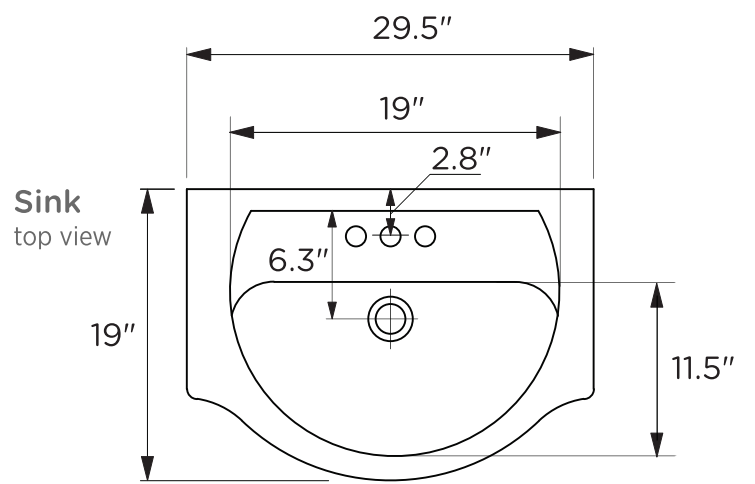
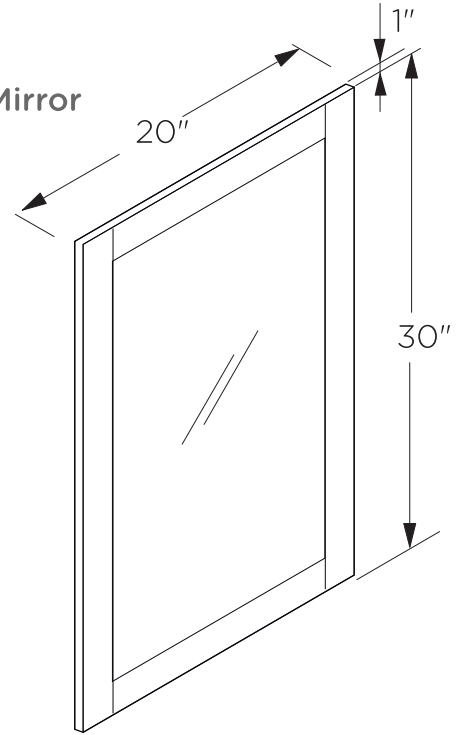


**FCB2303-I**  
**HARTFORD**  
**INSTALLATION GUIDE**



**Vanity Ensemble**  
 front view

**Optional Mirror**  
 front view

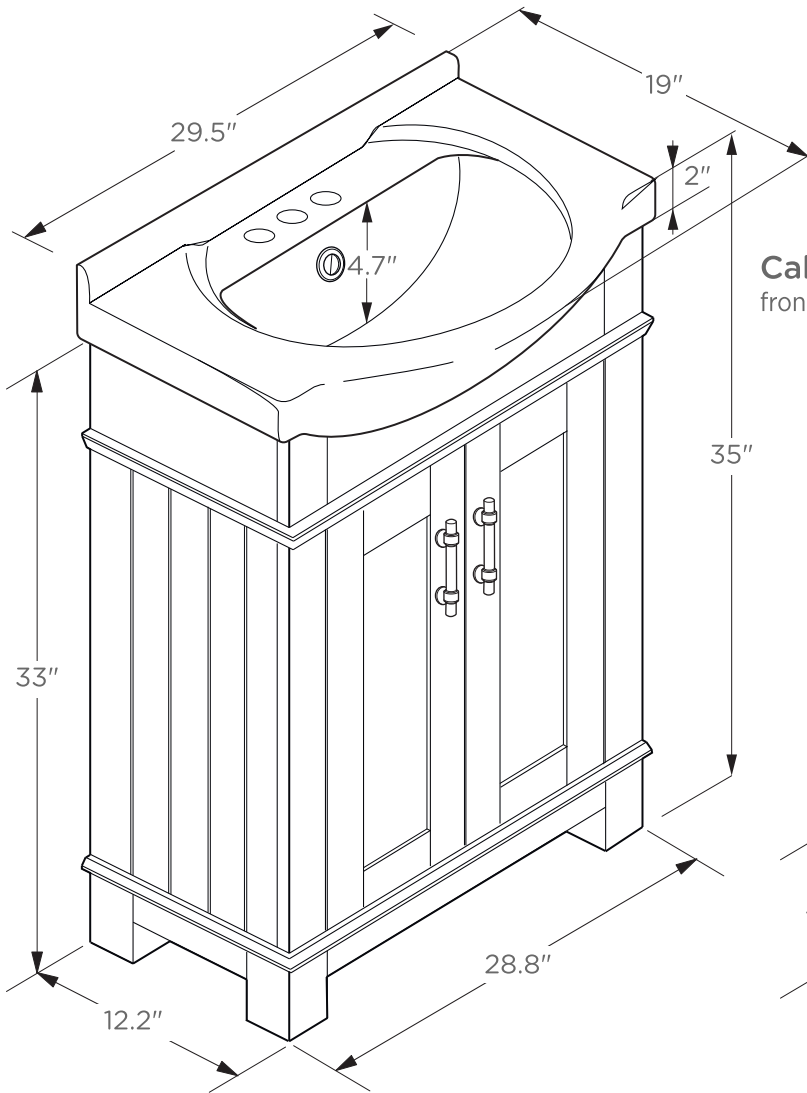


**Sink**  
 top view

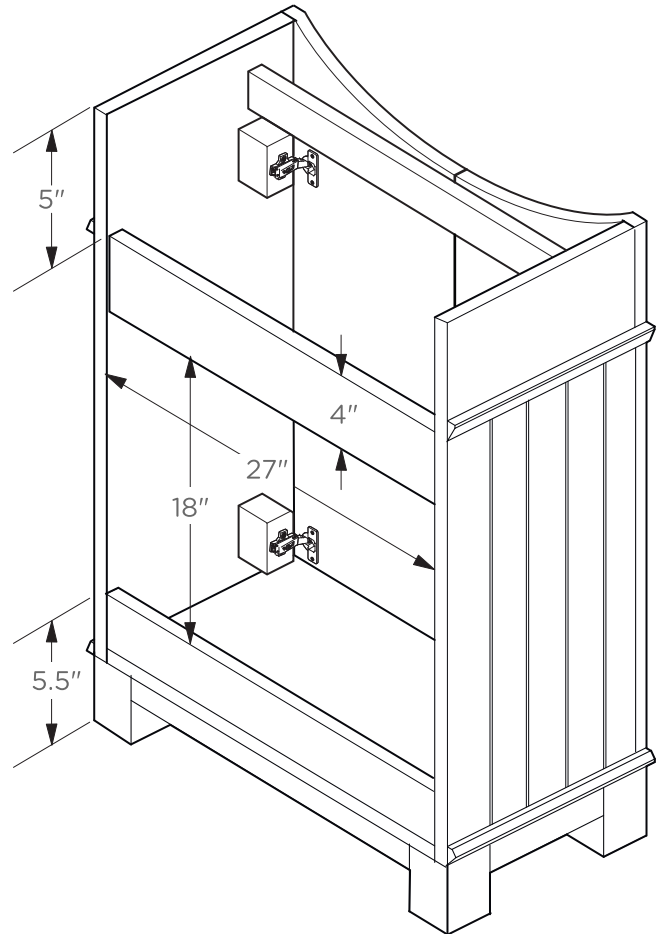
**NOTE:** ALL DIMENSIONS & SPECIFICATIONS ARE APPROXIMATE AND SUBJECT TO CHANGE WITHOUT NOTICE.



**FCB2303-I**  
**HARTFORD**  
**INSTALLATION GUIDE**



**Cabinet**  
front view



**Cabinet**  
rear view

**NOTE:** ALL DIMENSIONS & SPECIFICATIONS ARE APPROXIMATE AND SUBJECT TO CHANGE WITHOUT NOTICE.

# MIRROR INSTALLATION

## TOOLS FOR ASSEMBLY

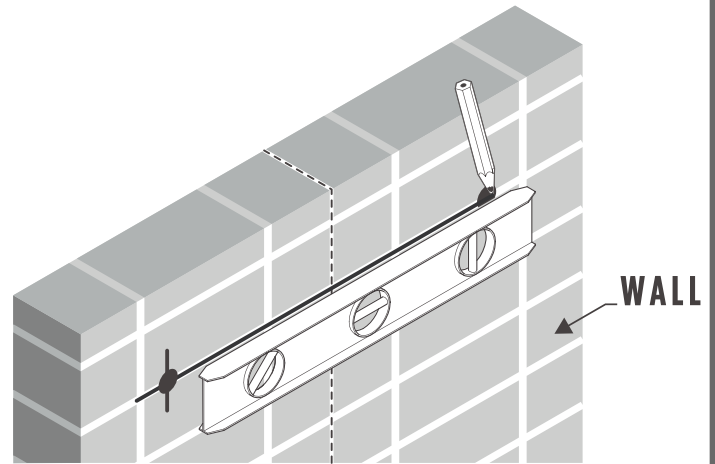
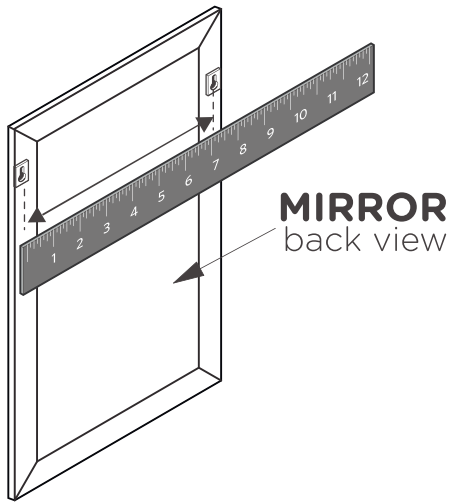


2

Mark the measured distance on the wall using a level

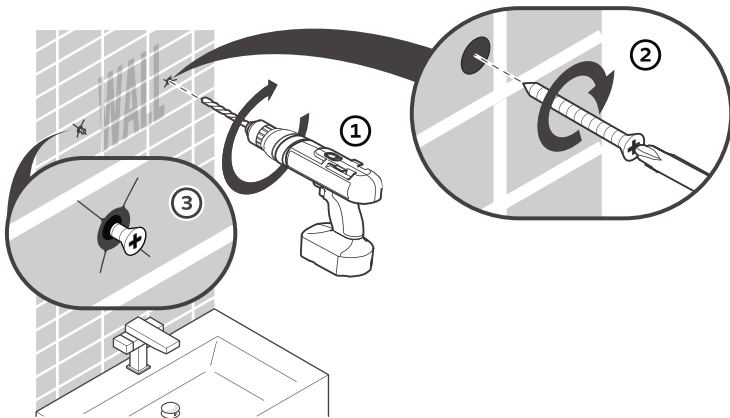
1

Measure the distance between the brackets on the back of the mirror



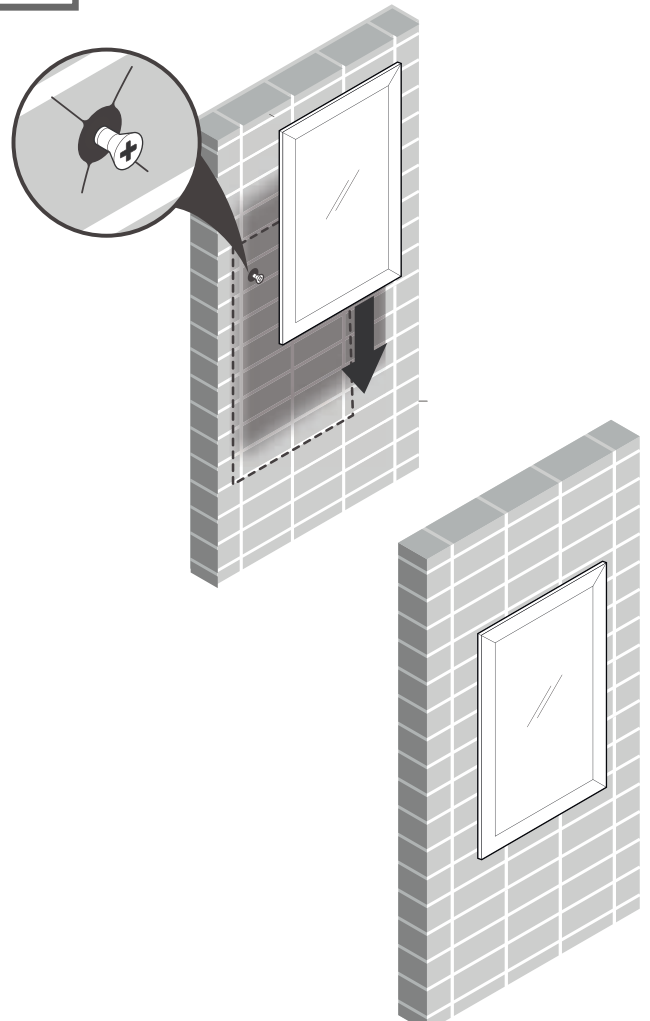
3

Once position is marked, drill 2 holes and insert anchors if stud is not available



4

Hang mirror on the wall

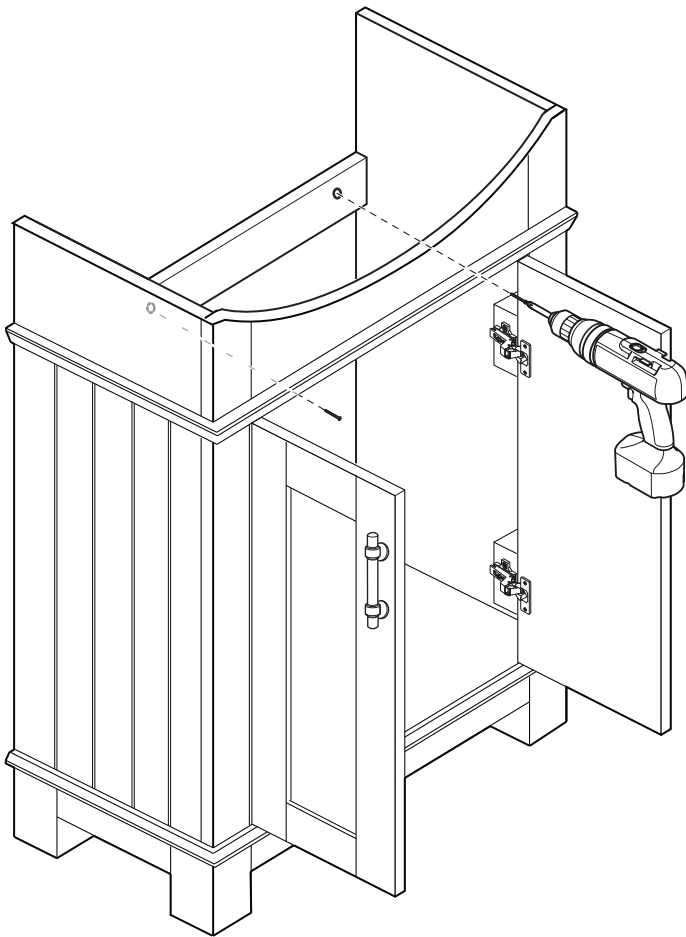


### IMPORTANT:

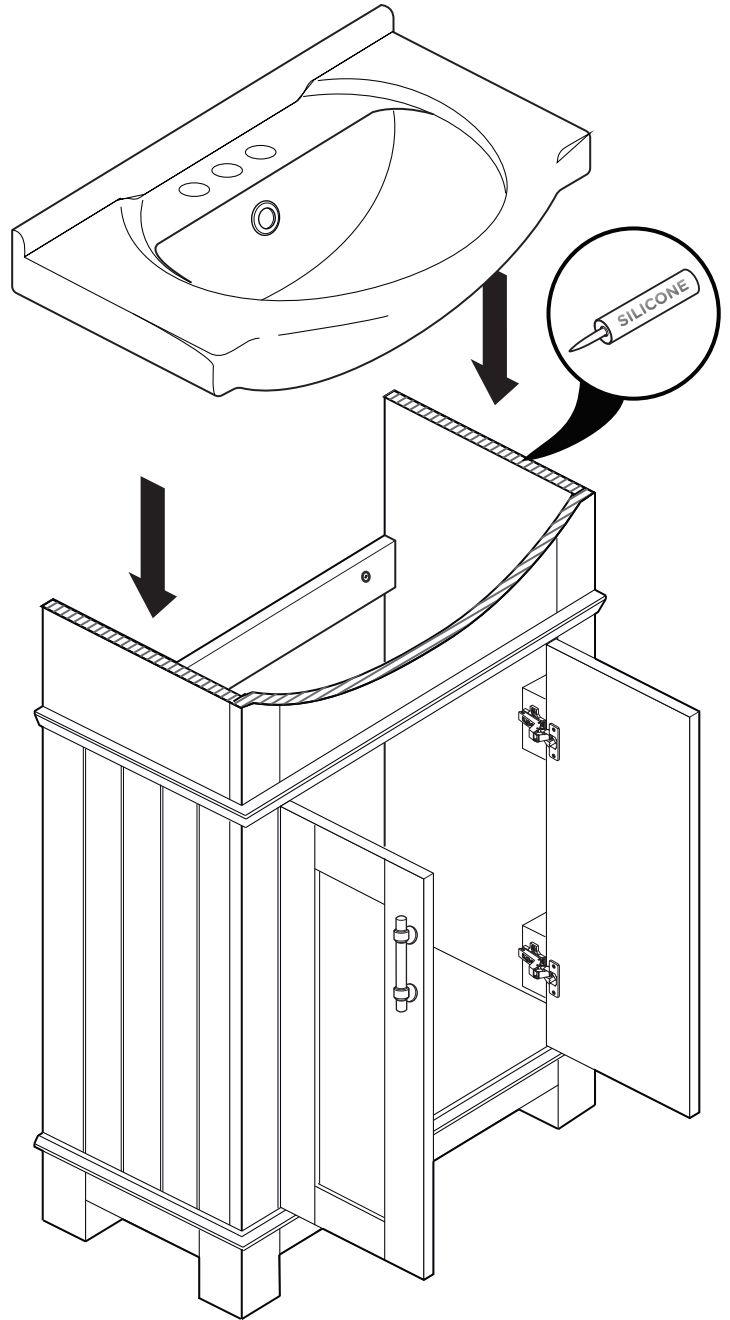
CONSULT AN EXPERT FOR THE PROPER SCREWS/BOLTS TO USE WHEN ATTACHING TO VARIOUS WALL CONSTRUCTIONS. SCREWS PROVIDED **DO NOT** ATTACH TO ALL WALL CONSTRUCTION TYPES.

# CABINET INSTALLATION

**1** Attach the cabinet to the wall.



**2** Apply a bead of silicone on the top of the cabinet and place the sink on it.

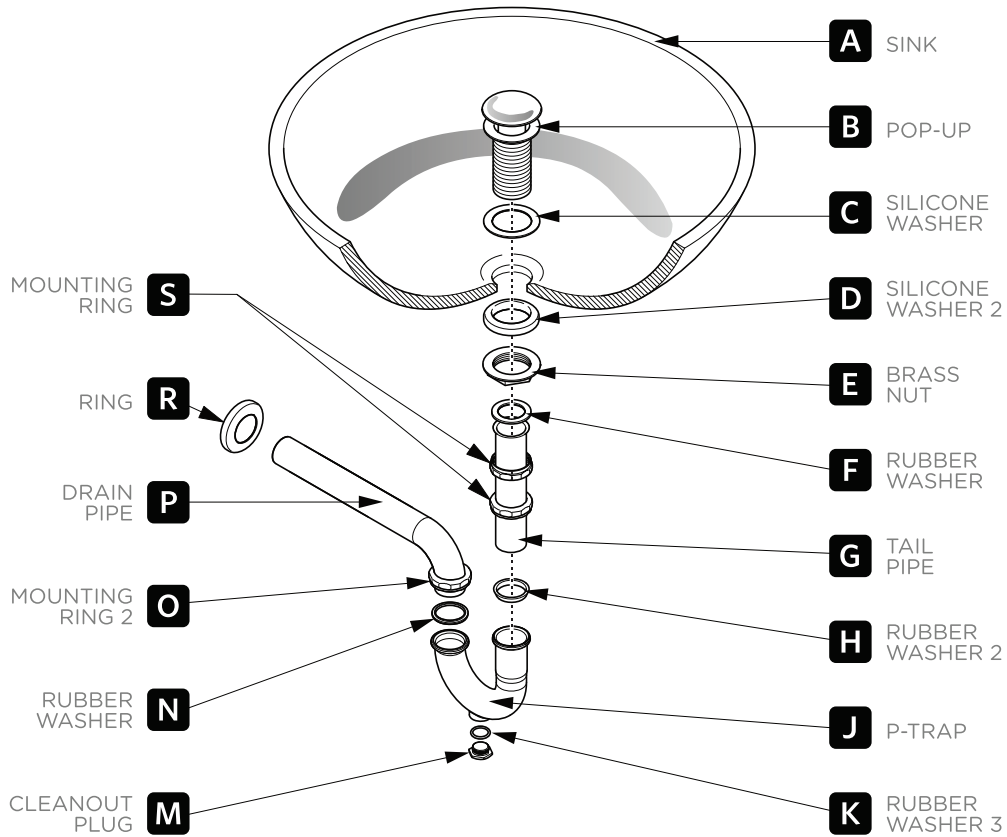


**NOTE:** Consult an expert for the proper screws/bolts to use when attaching to various constructions. Screws provided **do not** attach to all wall construction types. Anchors are not required if brackets are installed in stud.

# P-TRAP & POP-UP

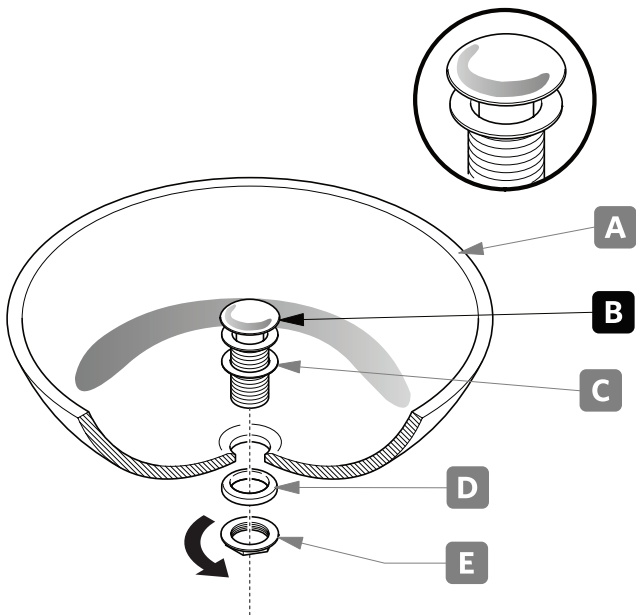
## INSTALLATION INSTRUCTIONS

Your item may appear slightly different from the illustration.



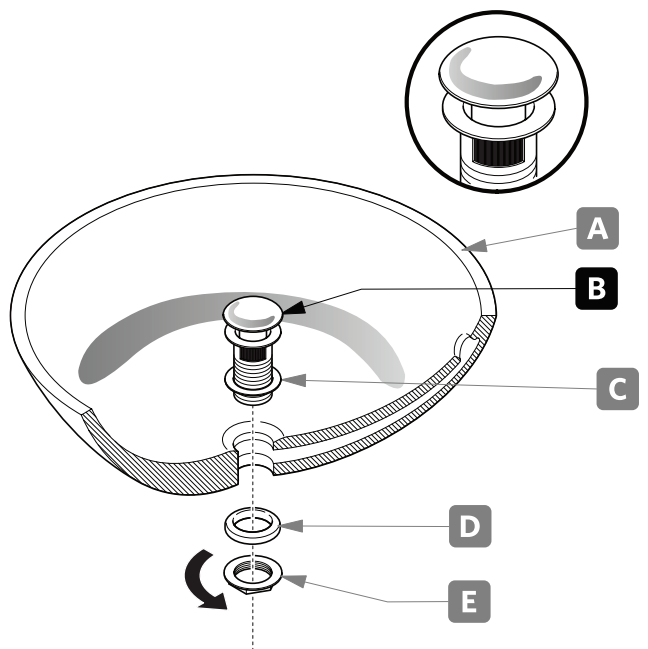
## POP-UP INSTALLATION

**FOR SINKS WITHOUT OVERFLOW**



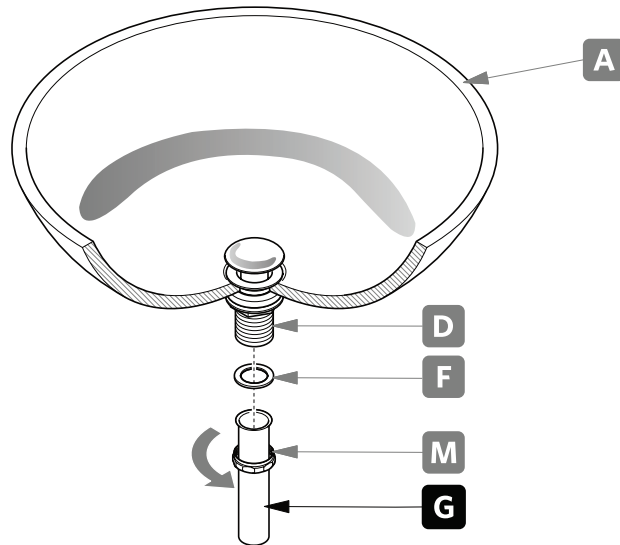
OR

**FOR SINKS WITH OVERFLOW**



# P-TRAP INSTALLATION

**1** Install tail pipe **(G)**.



**2** Install P-trap **(J)**.

