



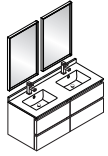
# FORMOSA

## **INSTALLATION GUIDE**

FVN31-2424ACA

## CONTENTS:

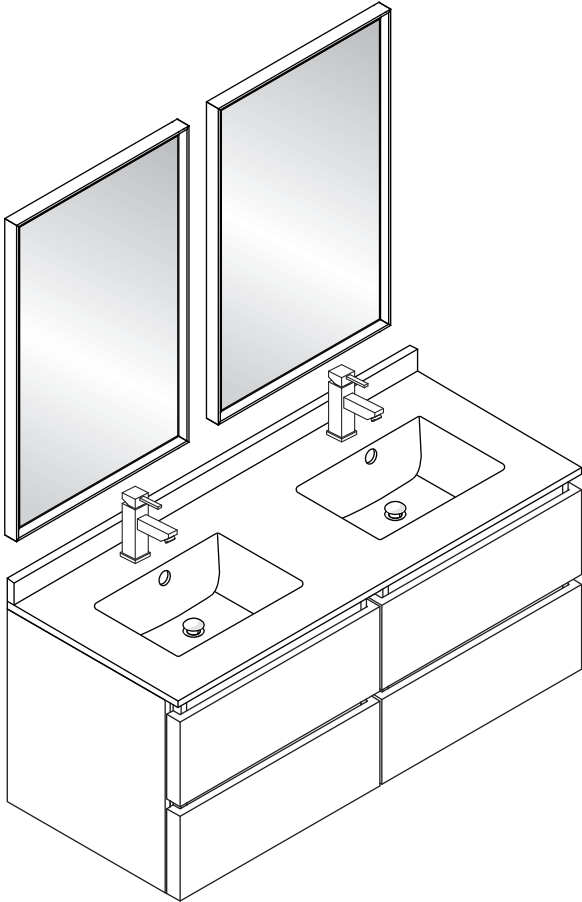
Mirror .....	FMR3120ACA .....	PAGE 2
Cabinet .....	FCB3124ACA .....	PAGE 3
Sink .....	FCT2048WH-D-CMB .....	PAGE 3



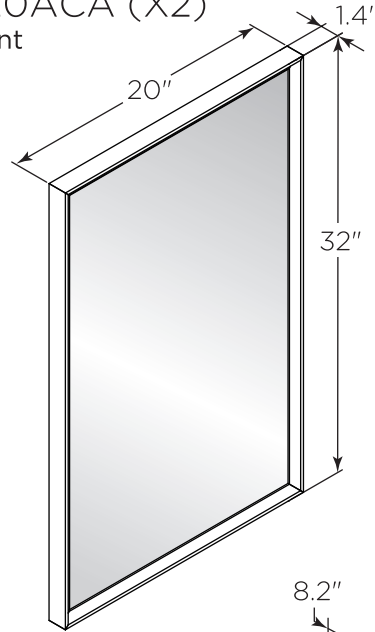
# FVN31-2424ACA FORMOSA INSTALLATION GUIDE



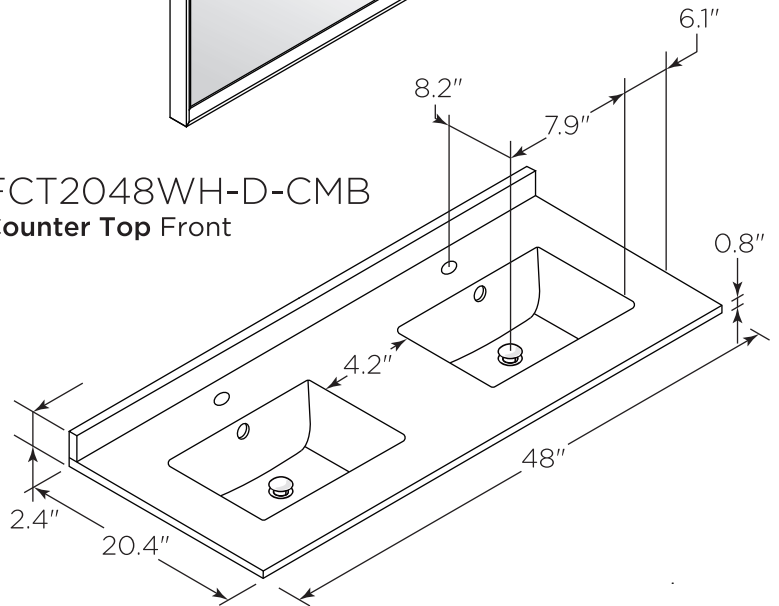
FVN31-2424ACA  
Vanity Front



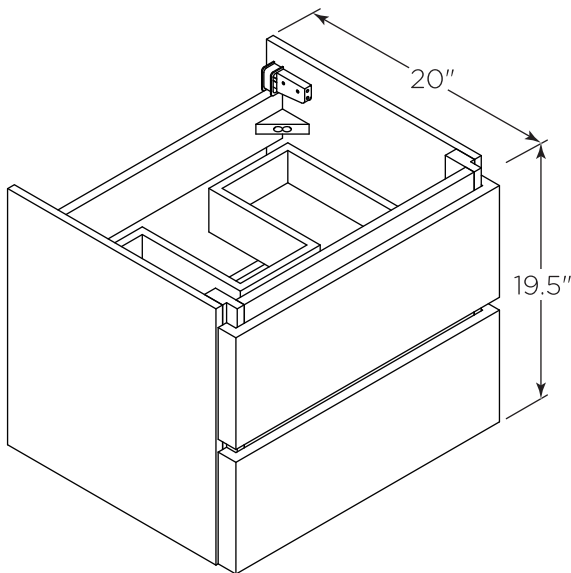
FMR3120ACA (X2)  
Mirror Front



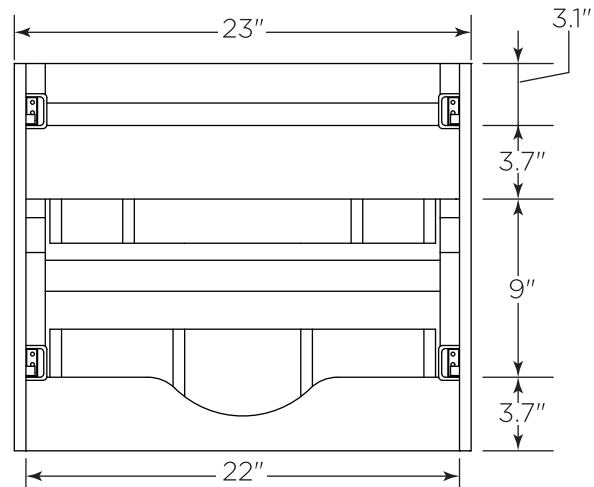
FCT2048WH-D-CMB  
Counter Top Front



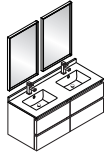
FCB3124ACA (X2)  
Cabinet Front



FCB3124ACA  
Cabinet Back



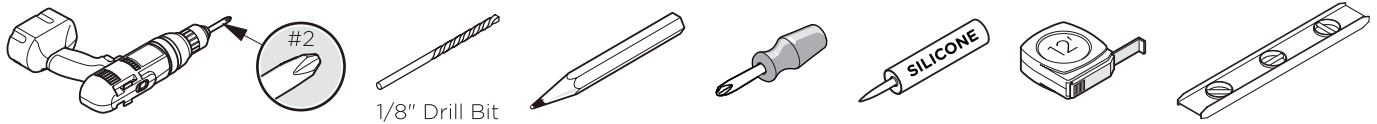
**NOTE:** All dimensions & specifications are approximate and subject to change without notice.



# FVN31-2424ACA FORMOSA INSTALLATION GUIDE

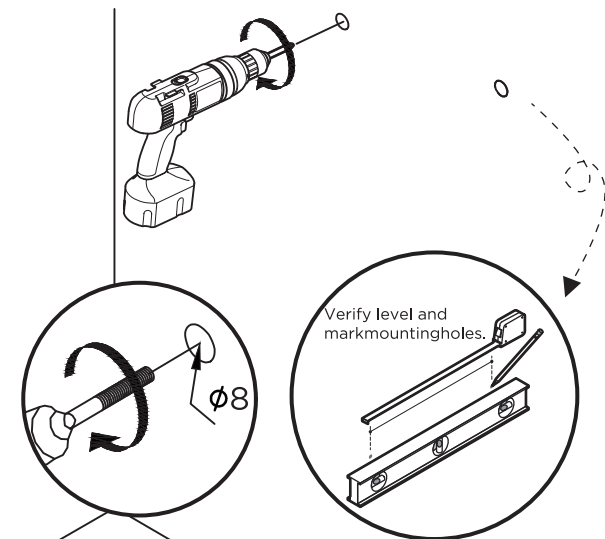


## TOOLS FOR ASSEMBLY

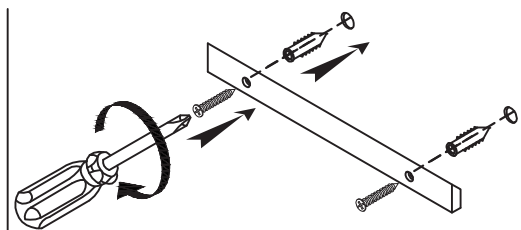


## MIRROR INSTALLATION

- 1** Measure distance between the holes and mark it on the wall using a level.

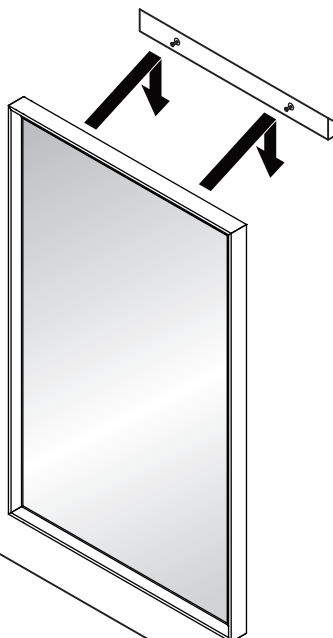


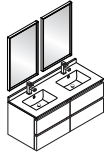
- 2** Press the anchors into the holes.



**IMPORTANT:** Consult an expert for the proper screws/bolts to use when attaching to various constructions. Screws provided do not attach to all wall construction types. Anchors are not required if brackets are installed in stud.

- 3** Hang mirror on the screws.

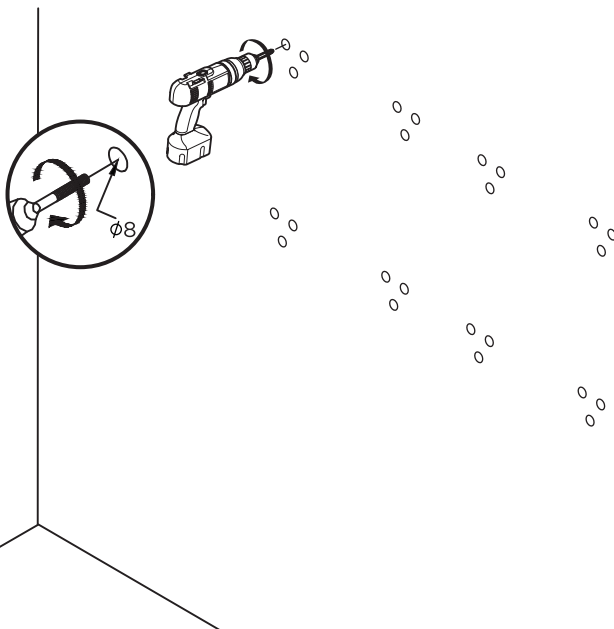




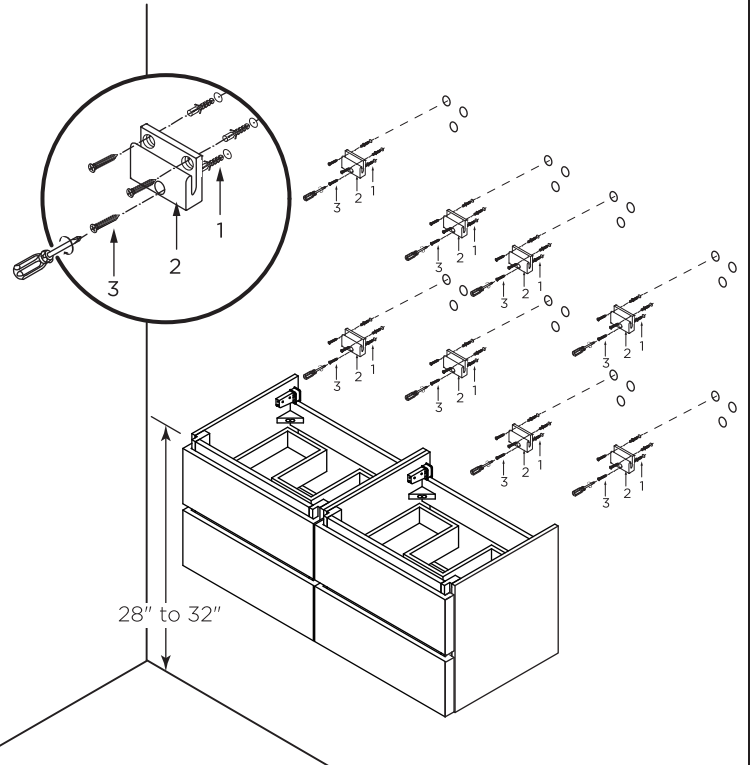
**CABINET AND SINK INSTALLATION**

**1** Mark anchor mounting hole locations on wall as shown. Drill holes in the finished wall as required.

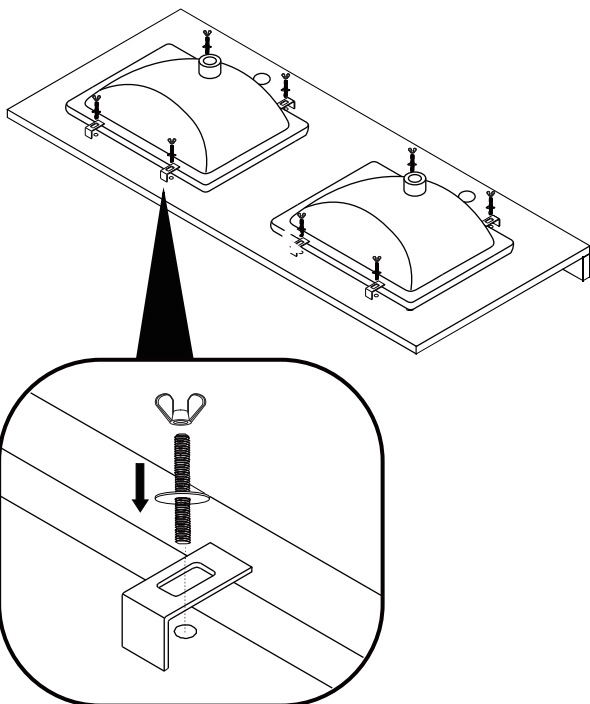
**IMPORTANT:** Consult an expert for the proper screws/bolts to use when attaching to various constructions, Screws provided do not attach to all wall construction types. Anchors are not required if brackets are installed in stud.



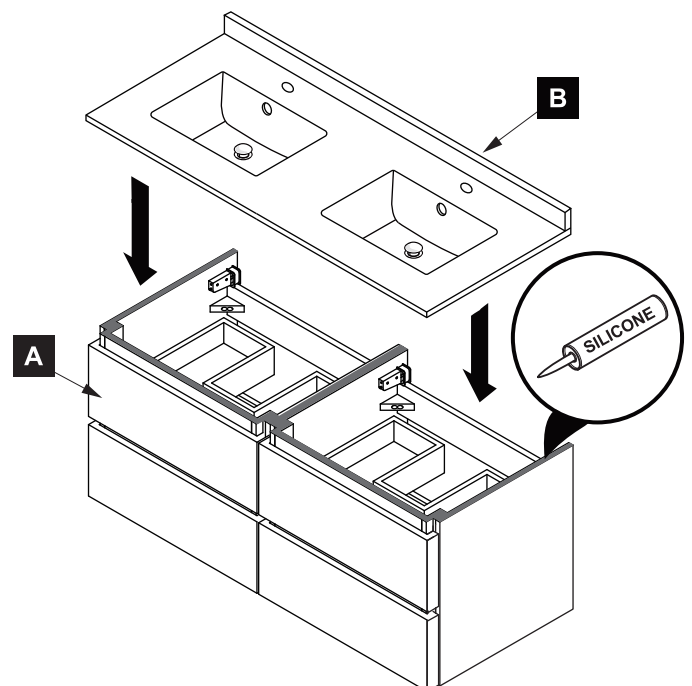
**2** Attach cabinet to the wall with the screws. Insert the anchor (1) into the holes and secure the wall bracket (2) with the screws (3).

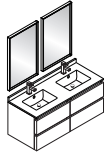


**3** Install sink.



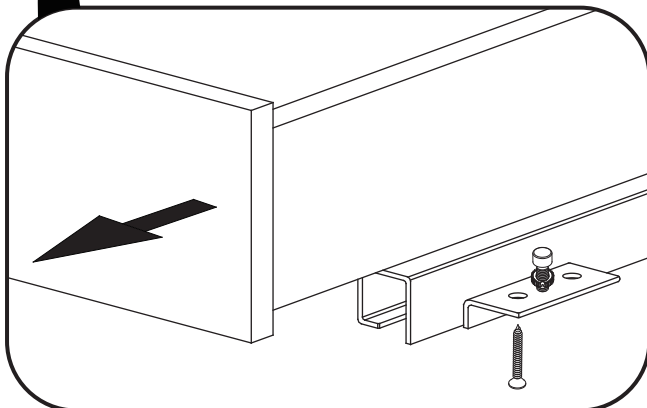
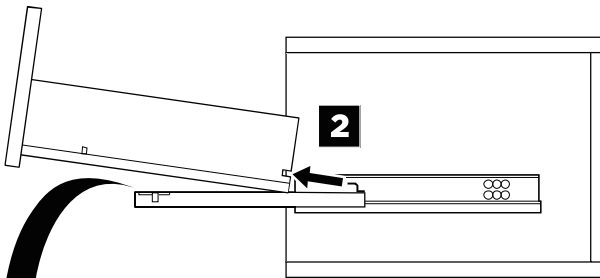
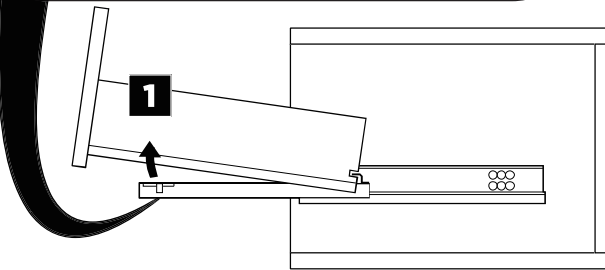
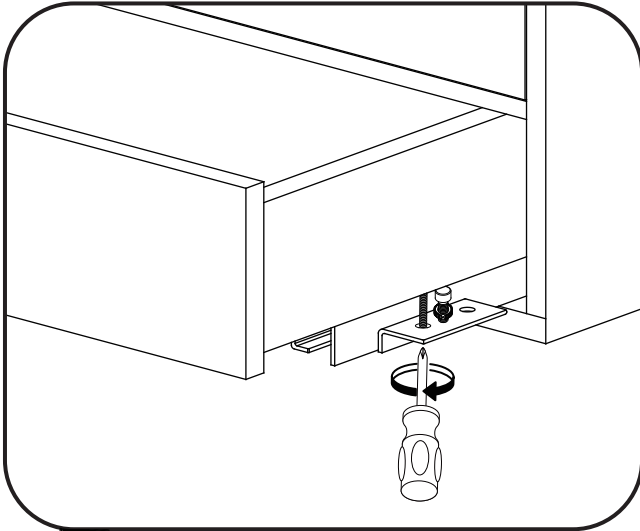
**4** Apply a bead of silicone on the top of the cabinet (A) and place sink (B) on the cabinet.



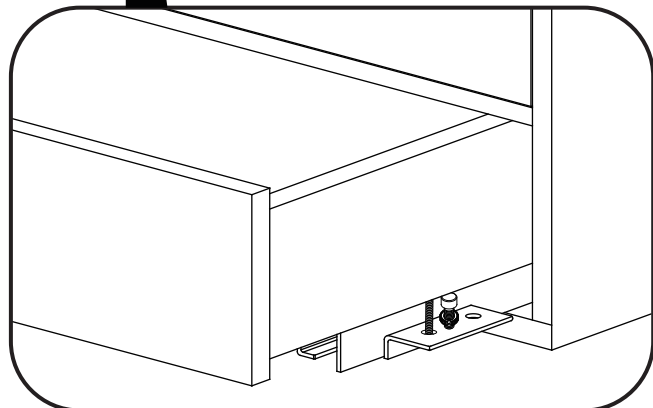
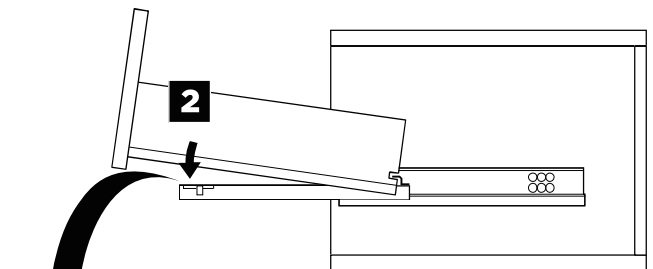
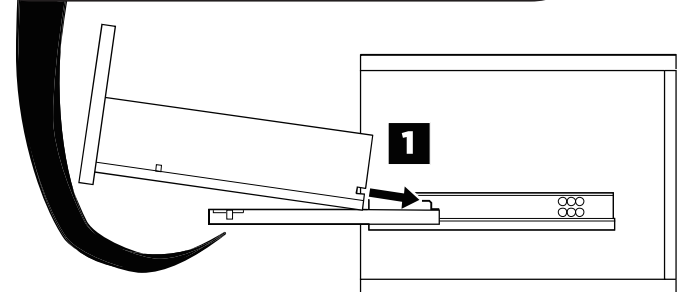
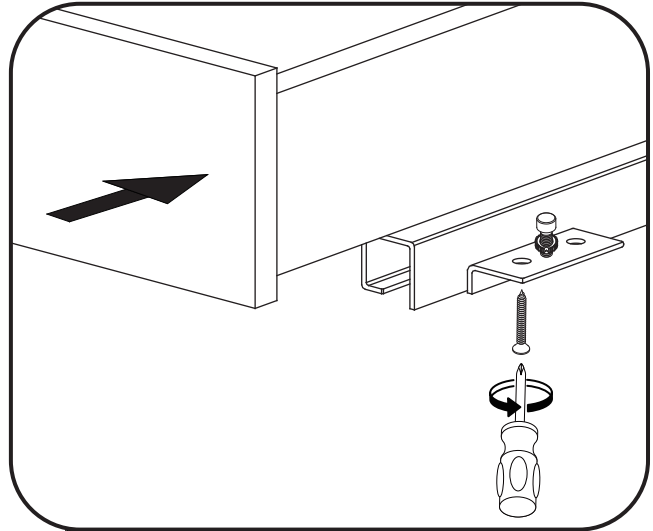


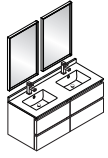
**DRAWER REMOVAL & INSTALLATION**

**REMOVAL**



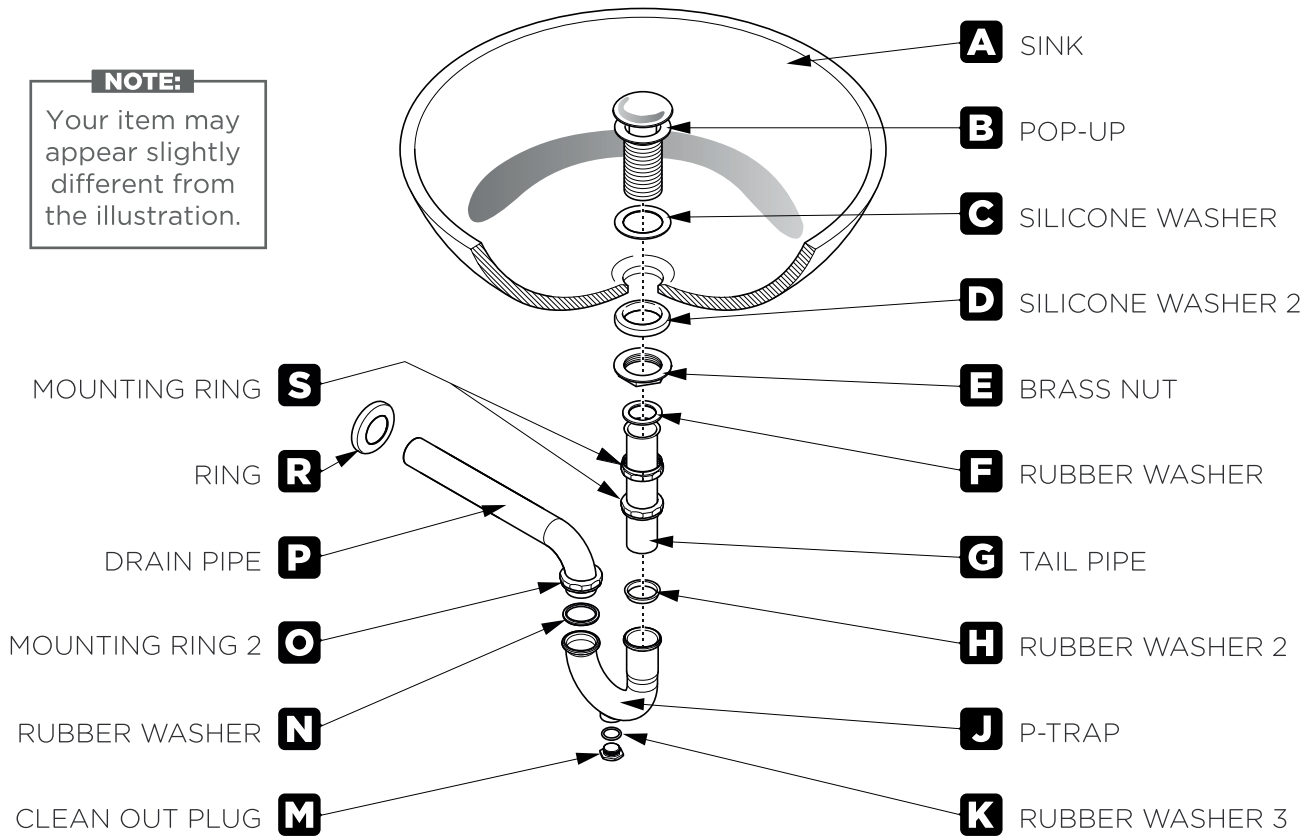
**INSTALLATION**





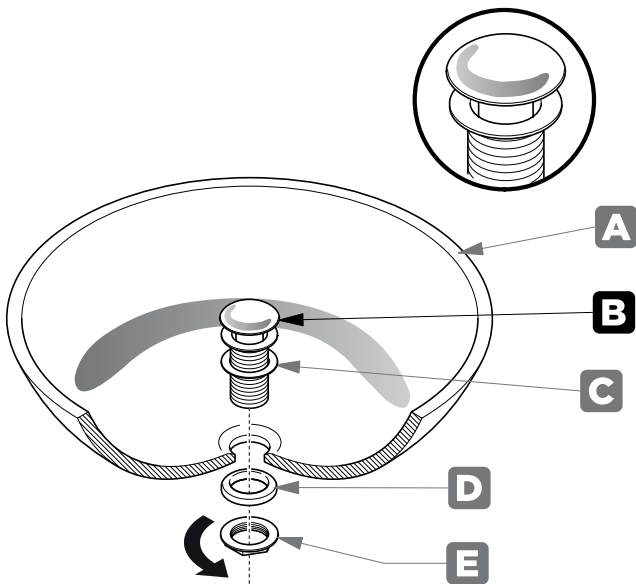
**P-TRAP AND POP-UP INSTALLATION INSTRUCTIONS**

**NOTE:**  
 Your item may appear slightly different from the illustration.



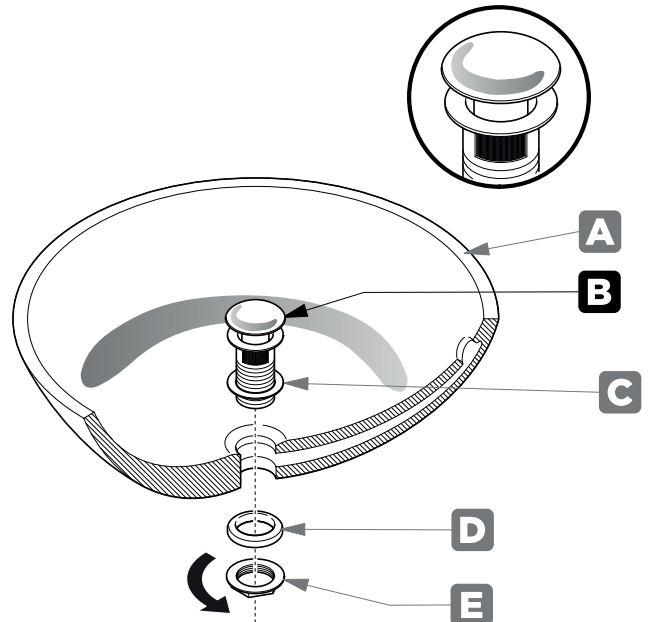
**POP-UP INSTALLATION INSTRUCTIONS**

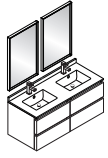
**FOR SINKS WITHOUT OVERFLOW**



OR

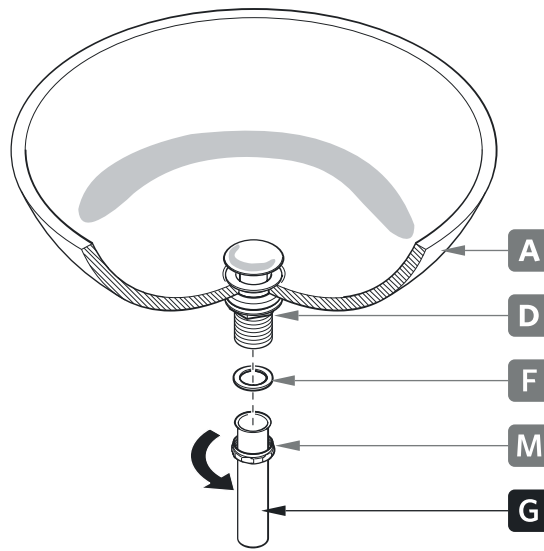
**FOR SINKS WITH OVERFLOW**





## P-TRAP INSTALLATION

**1** Install tail pipe (G)



**2** Install p-trap (J)

