



Stella  
COLLECTION

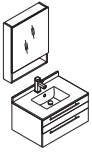
# LUCERA

## FVN6130-UNS

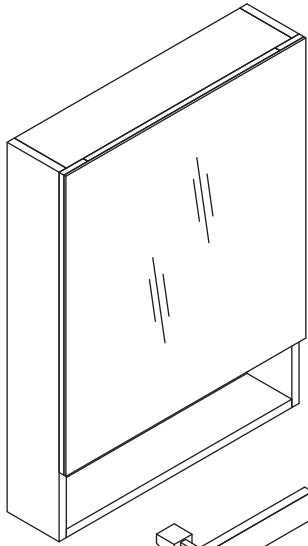
### INSTALLATION GUIDE

### CONTENTS:

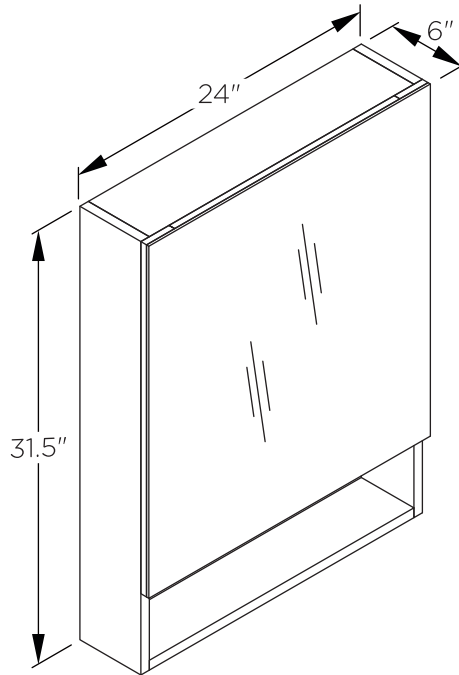
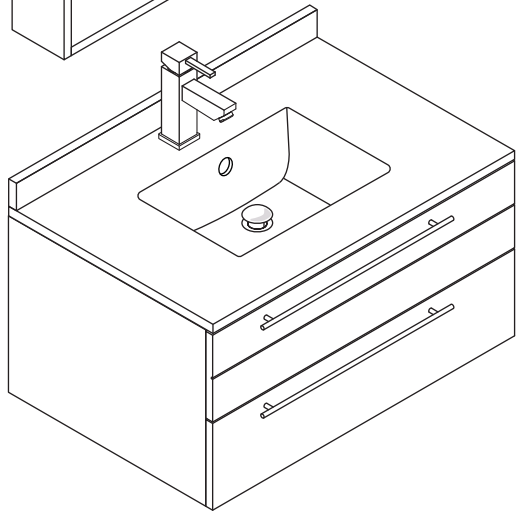
Medicine Cabinet.....	FMC6124.....	PAGE 2
Cabinet.....	FCB6130-UNS.....	PAGE 3
Sink / Counter Top.....	FCT2030WH-CMB.....	PAGE 4



# FVN6130-UNS LUCERA INSTALLATION GUIDE

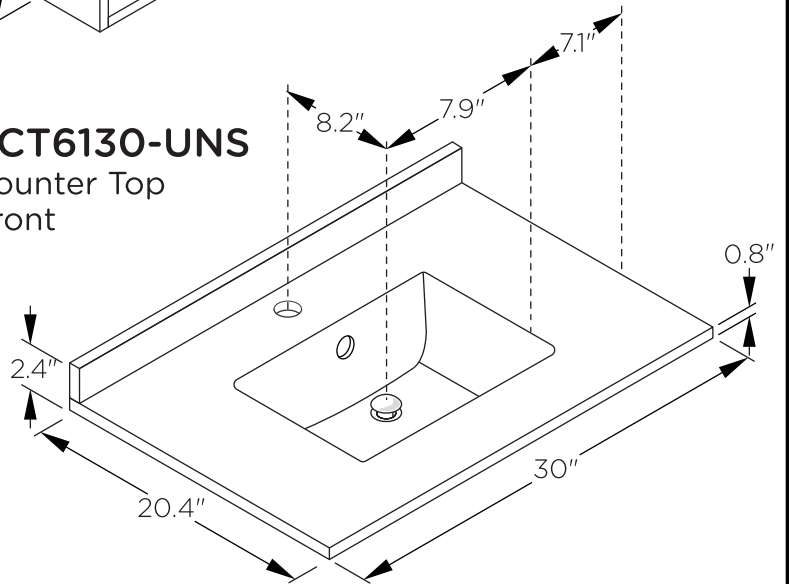


**FVN6130-UNS**  
Vanity Ensemble  
Front

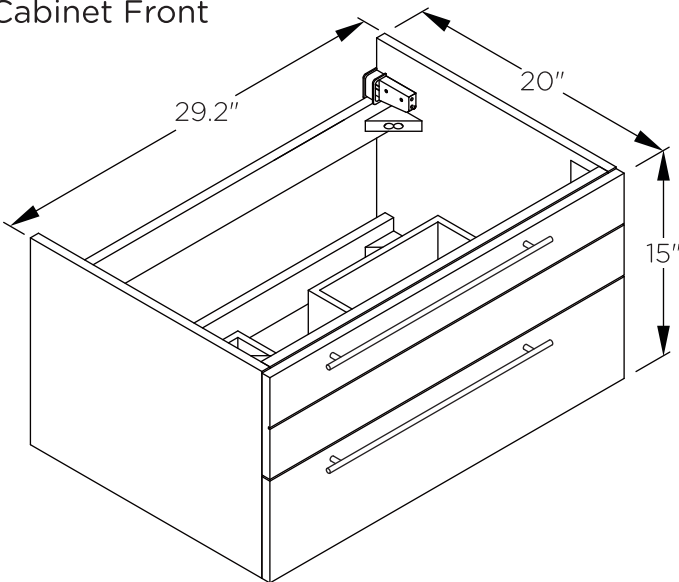


**FMC6124**  
Medicine Cabinet  
Front

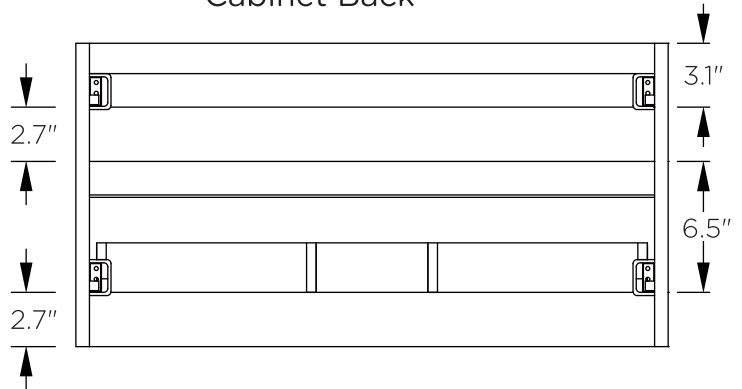
**FCT6130-UNS**  
Counter Top  
Front



**FCB6130-UNS**  
Cabinet Front

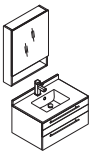


**FCB6130-UNS**  
Cabinet Back



>All dimensions & specifications are approximate and subject to change without notice.

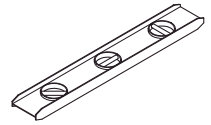
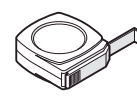
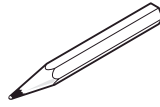
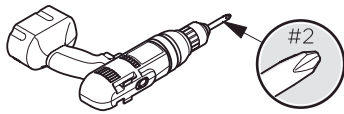




# FVN6130-UNS LUCERA INSTALLATION GUIDE

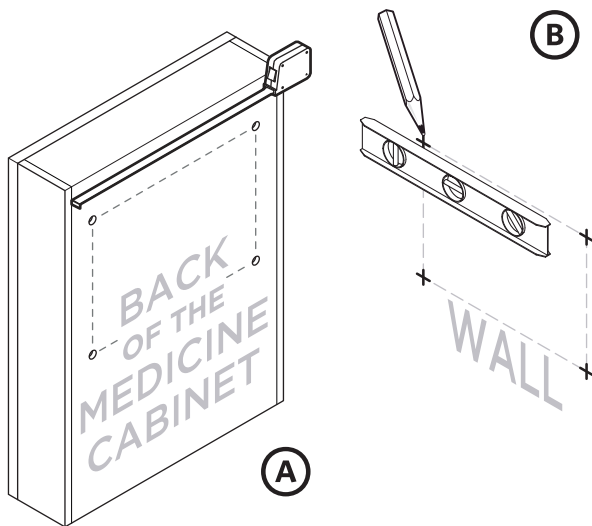


## TOOLS FOR ASSEMBLY

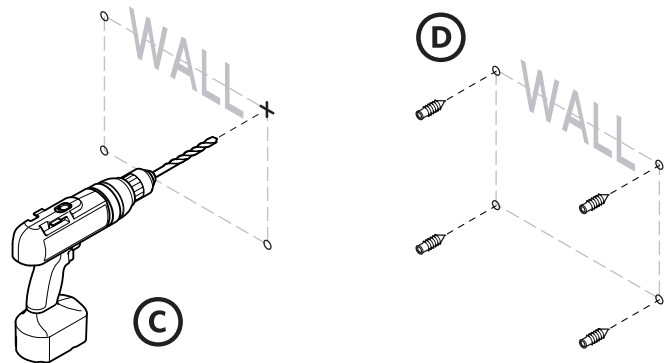


## MEDICINE CABINET INSTALLATION

- 1** Measure distance between the mounting holes on the back of a medicine cabinet **A** and mark the perimeter on the wall **B**.

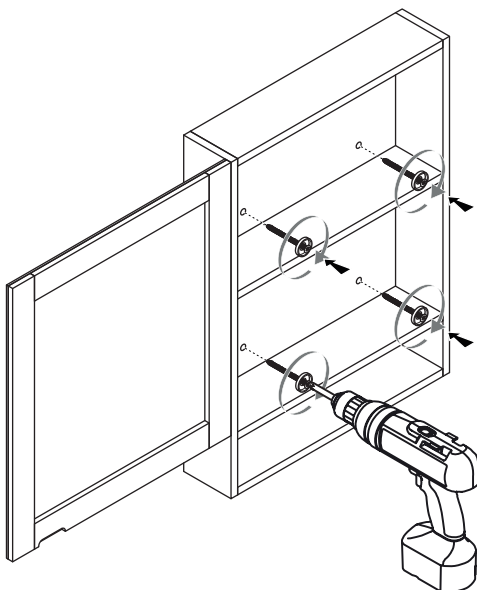


- 2** Once marked, drill the holes in the wall **C**.  
\*Insert the anchors in the holes **D**.

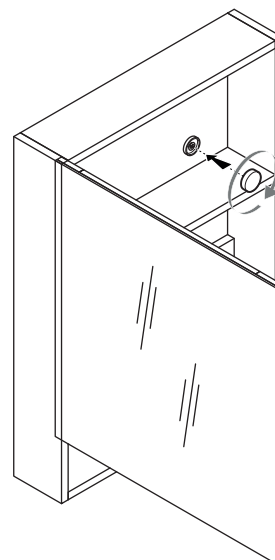


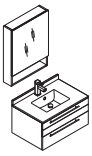
**\*IMPORTANT:** Consult an expert for the proper screws/bolts to use when attaching to various constructions. Screws provided do not attach to all wall construction types. Anchors are not required if brackets are installed in stud.

- 3** Connect medicine cabinet to the wall using a drill.



- 4** Cover the screws with the screw caps.



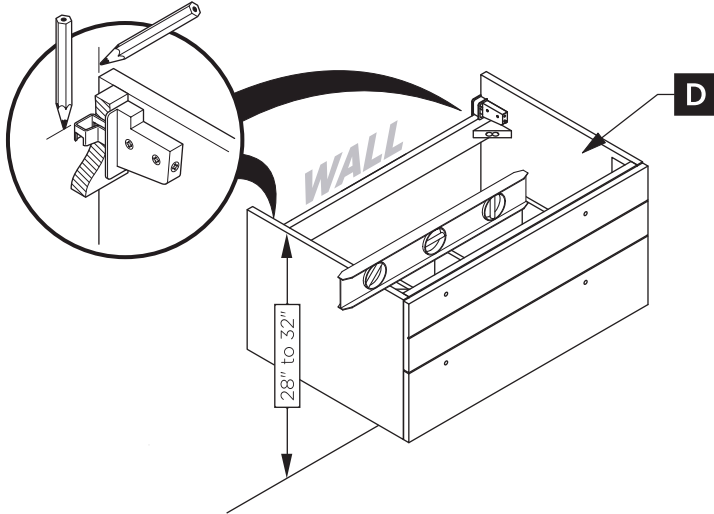


# FVN6130-UNS LUCERA INSTALLATION GUIDE

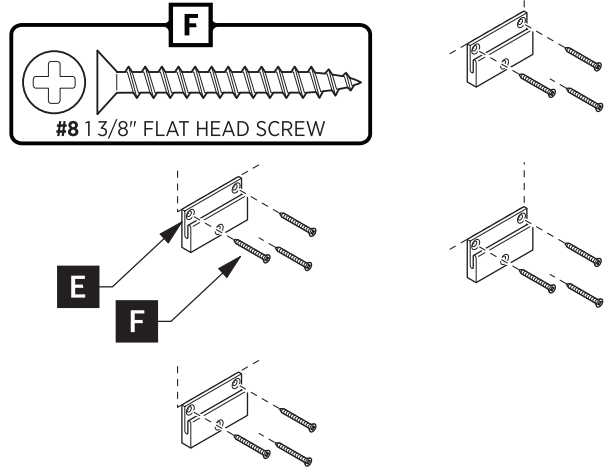


## CABINET INSTALLATION

- 1** Place cabinet (D) in the designated location and mark the bracket position on the wall.

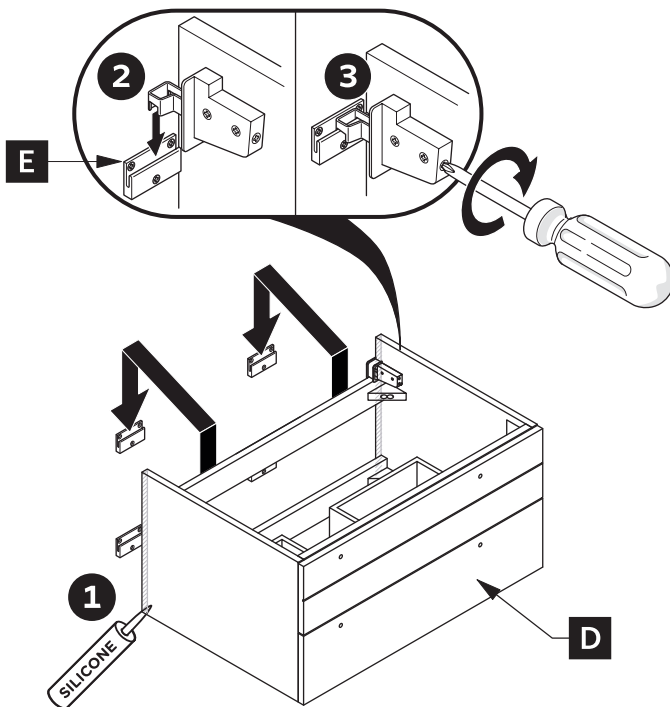


- 2** Attach the wall brackets (E) to the wall with the screws (F).

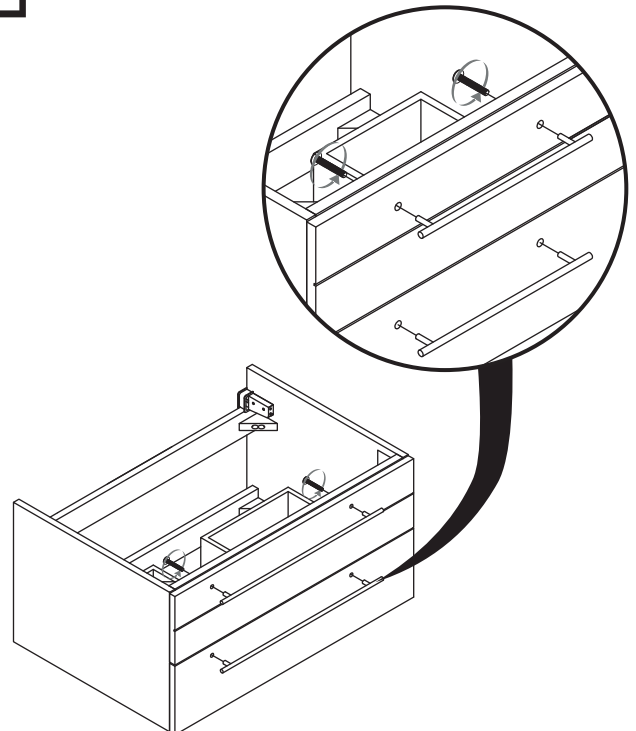


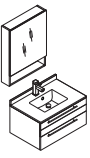
**IMPORTANT:** Consult an expert for the proper screws/bolts to use when attaching to various constructions. Screws provided do not attach to all wall construction types. Anchors are not required if brackets are installed in stud.

- 3** Apply a bid of silicone and hang cabinet (D) on the brackets.



- 4** Attach the handles to cabinet.



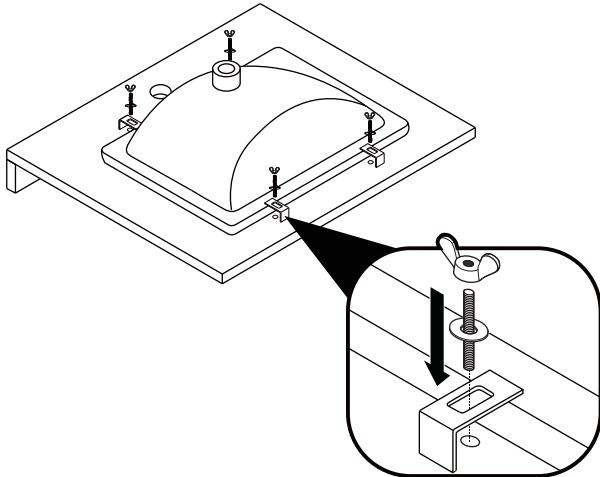


# FVN6130-UNS LUCERA INSTALLATION GUIDE

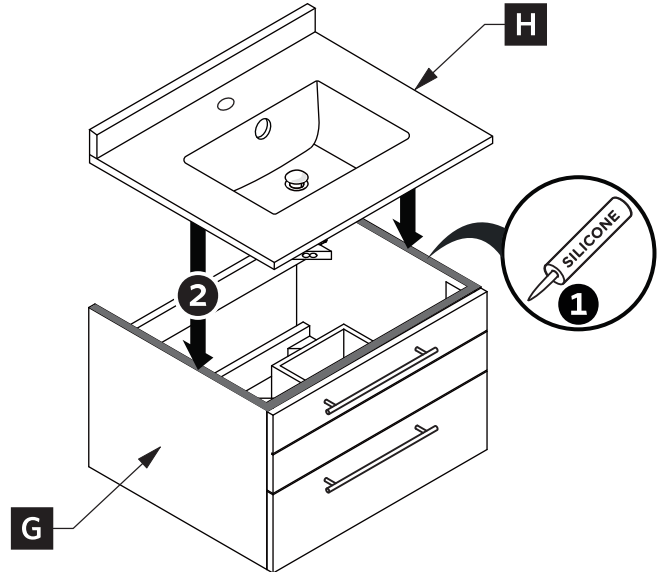


## CABINET INSTALLATION

- 5** Flip the counter top upside down and attach sink to it using provided brackets & screws.

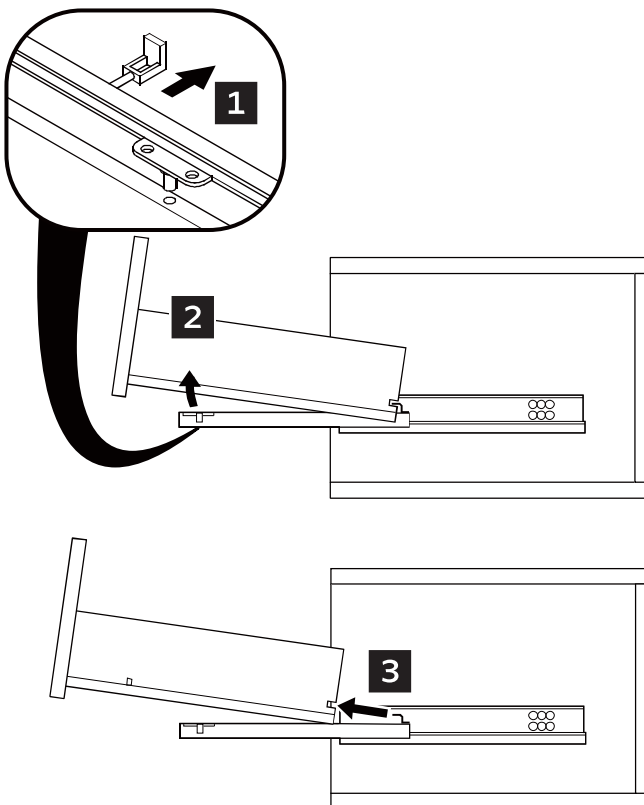


- 6** Put a bead of silicone on the top of the cabinet (G) then place sink (H) on the top of it.

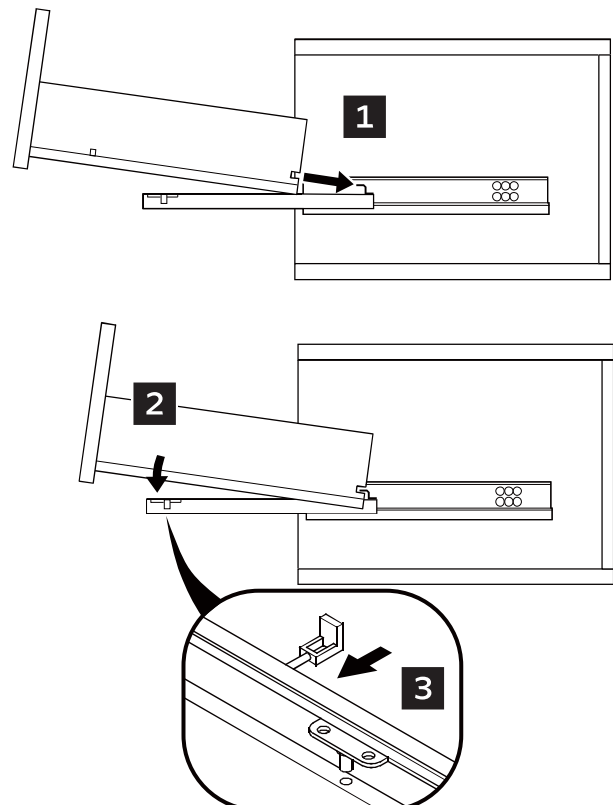


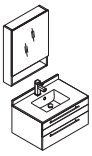
## DRAWER REMOVAL & INSTALLATION

### DRAWER REMOVAL



### DRAWER INSTALLATION





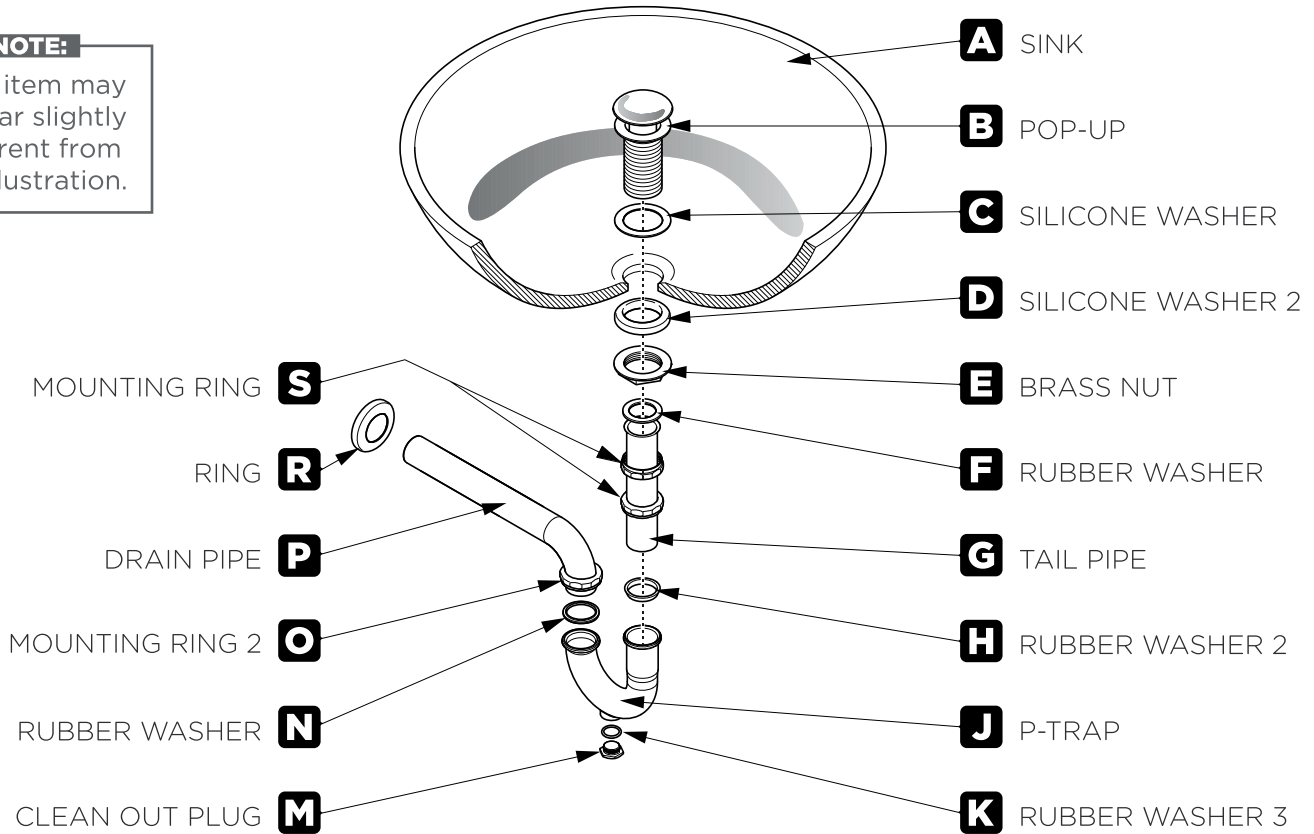
# FVN6130-UNS LUCERA INSTALLATION GUIDE



## P-TRAP AND POP-UP INSTALLATION INSTRUCTIONS

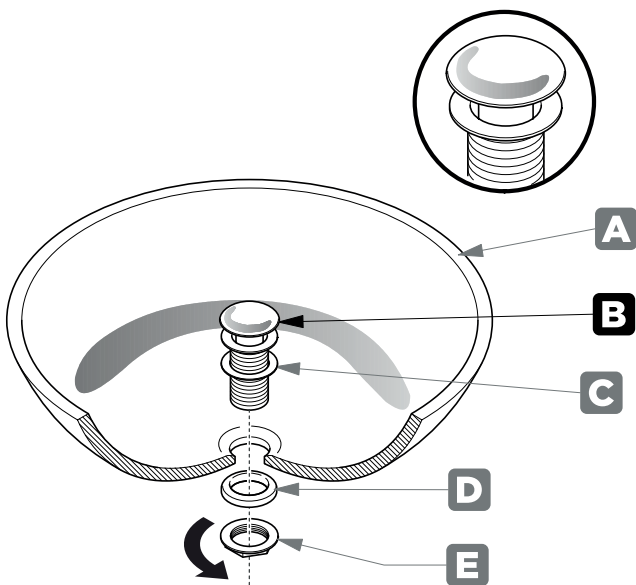
**NOTE:**

Your item may appear slightly different from the illustration.



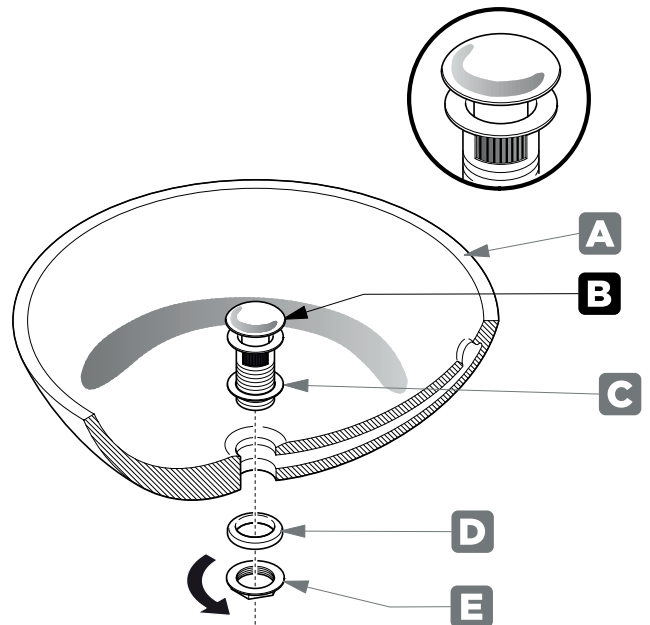
## POP-UP INSTALLATION INSTRUCTIONS

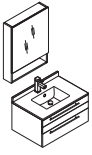
### FOR SINKS WITHOUT OVERFLOW



OR

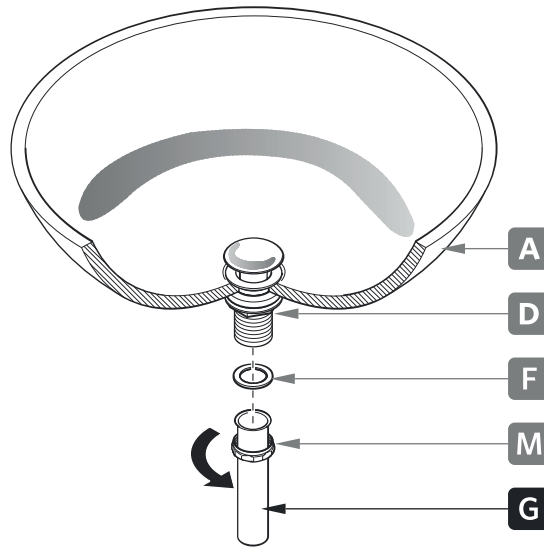
### FOR SINKS WITH OVERFLOW





## P-TRAP INSTALLATION

**1** Install a tail pipe (G).



**2** Connect a P-trap (J).

