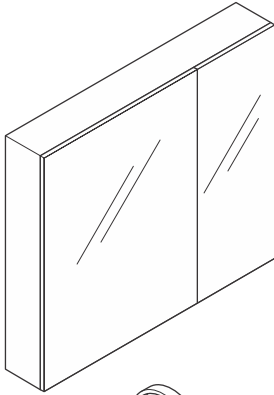




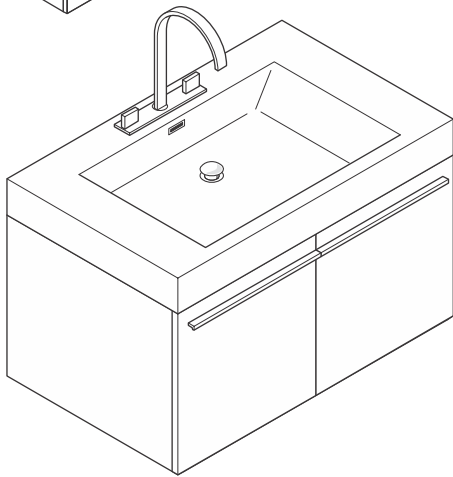
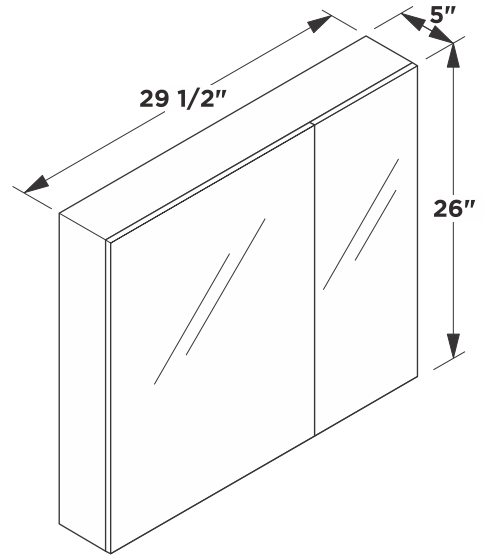
FVN8090
VISTA
INSTALLATION GUIDE



FRESCA®

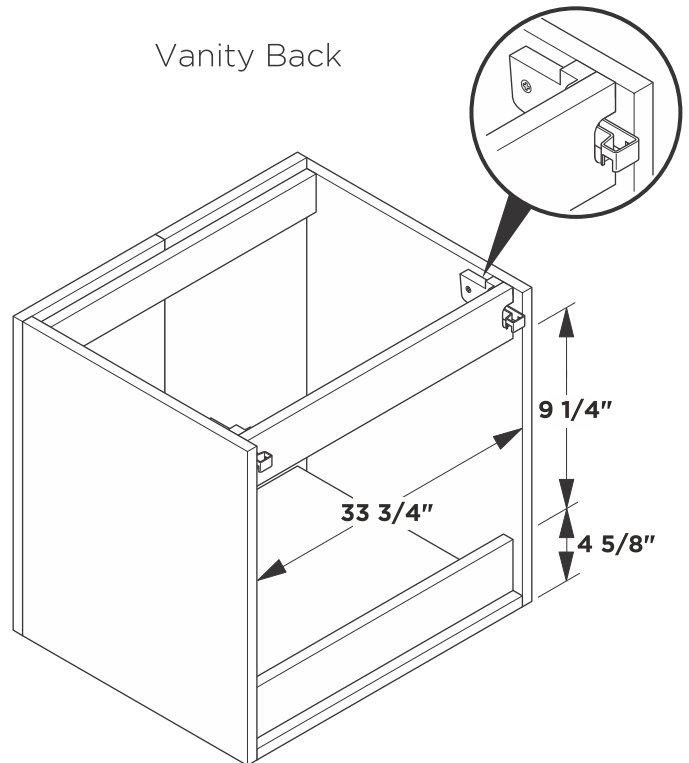
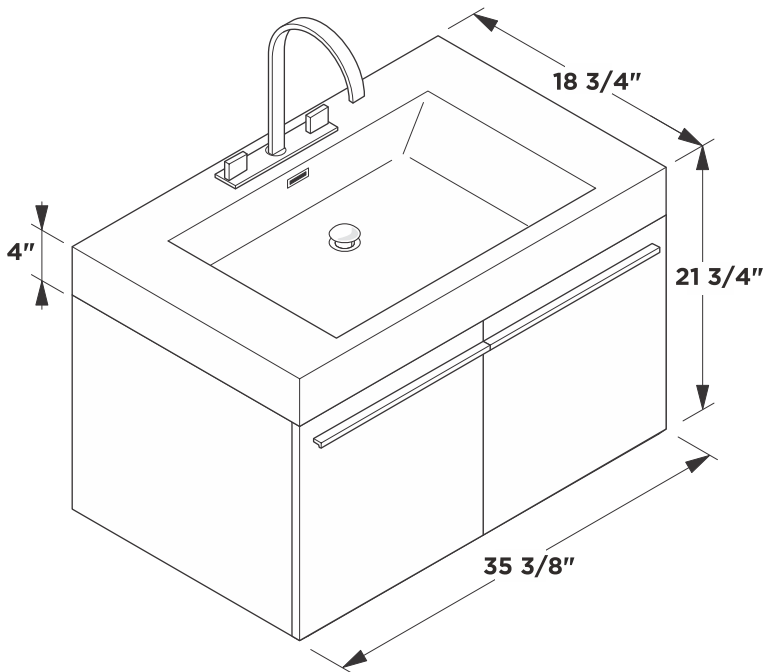


Medicine Cabinet



Vanity Front

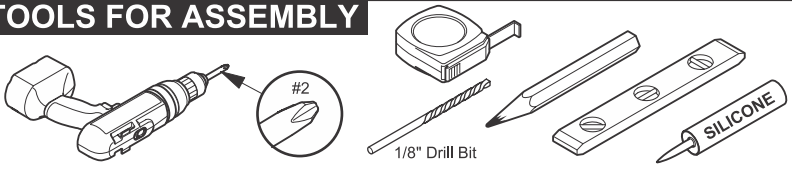
Vanity Back



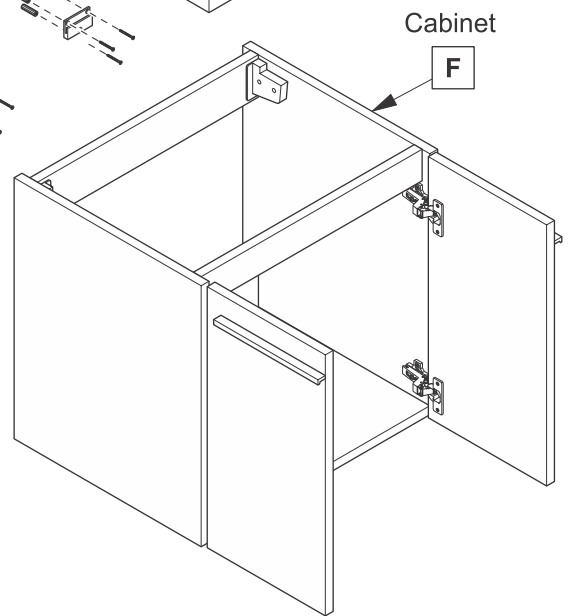
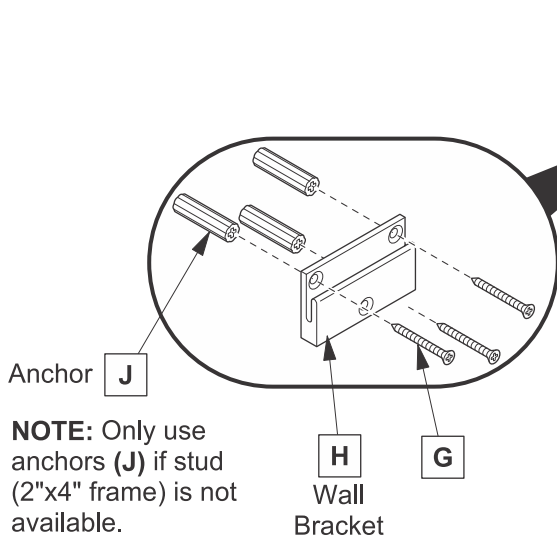
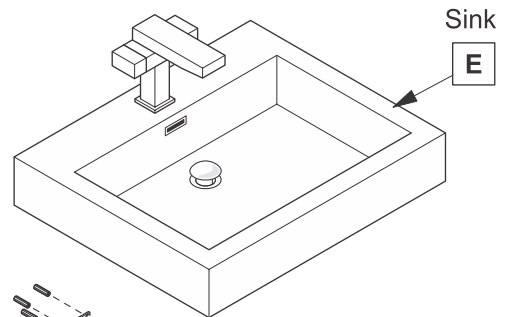
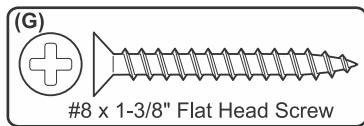
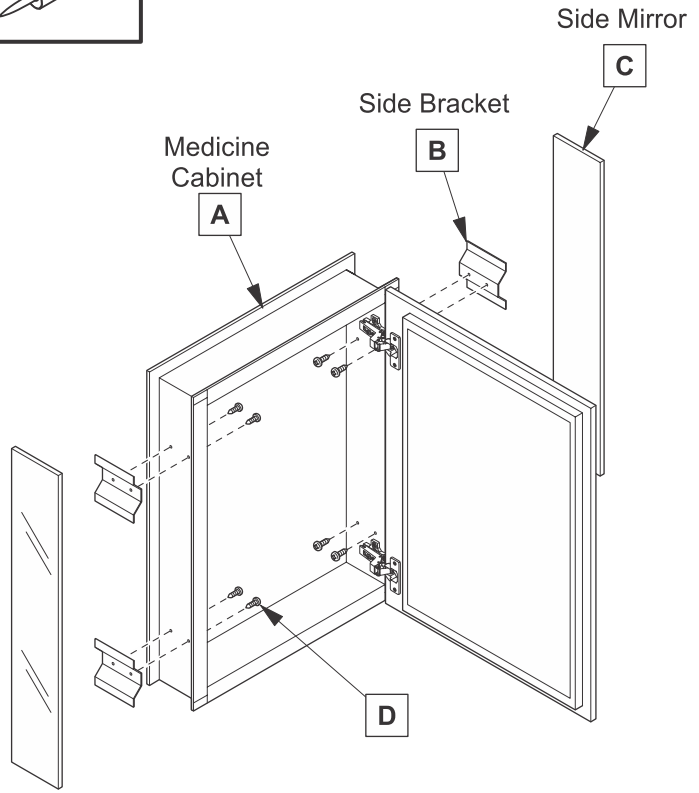
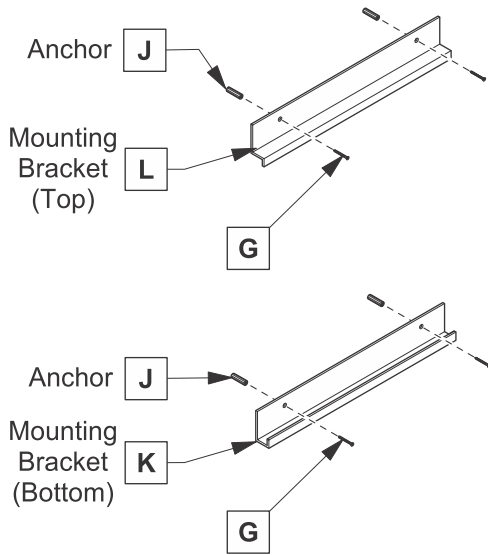
Note: All dimensions and specifications are approximate and subject to change without notice.



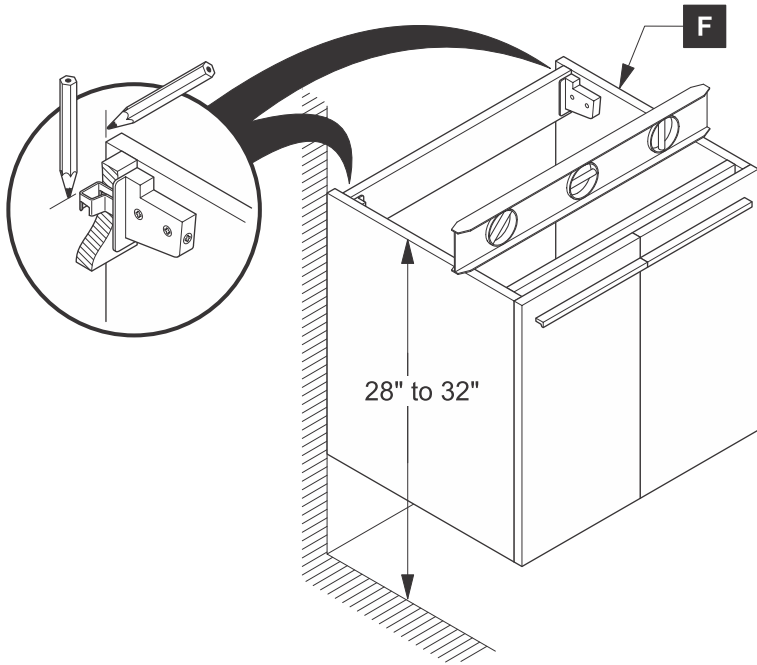
TOOLS FOR ASSEMBLY



PARTS

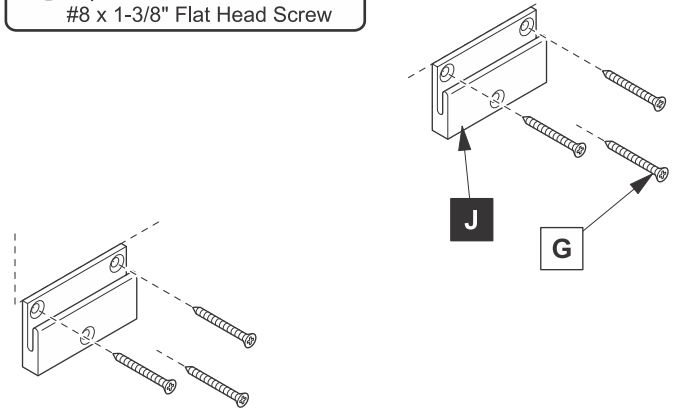
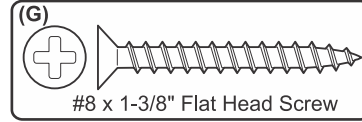


1 Locate cabinet (C) & mark location

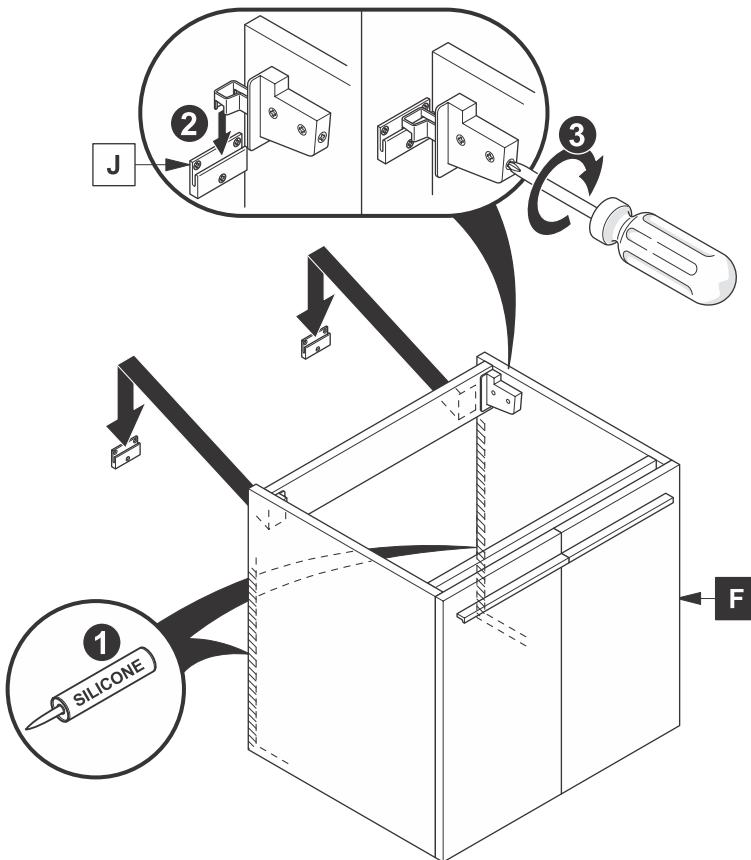


2 Install wall brackets (J)

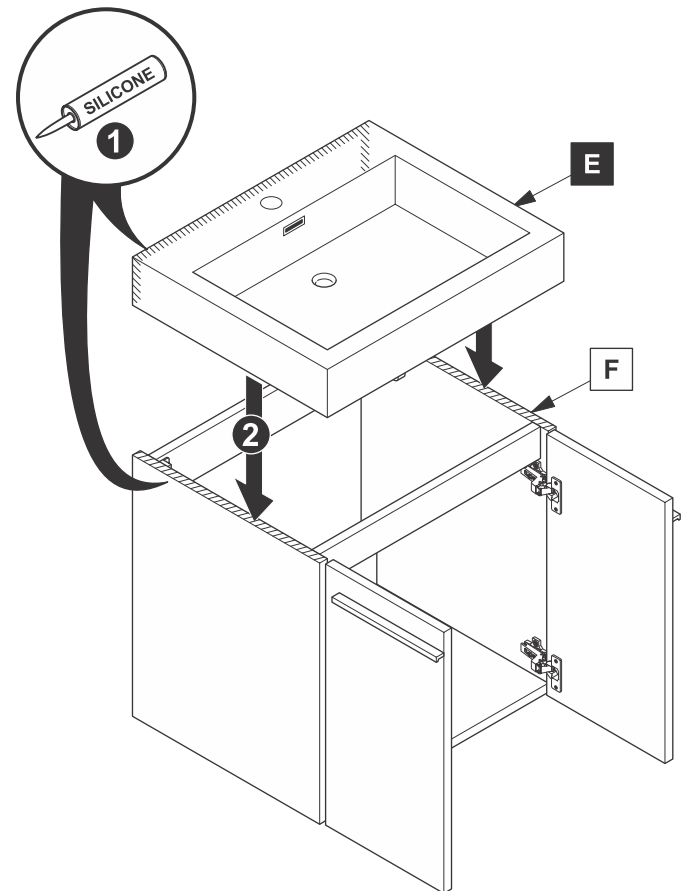
IMPORTANT: Consult an expert for the proper screws/bolts to use when attaching to various wall constructions. Screws provided do not attach to all wall construction types.



3 Apply silicone and install cabinet (F)

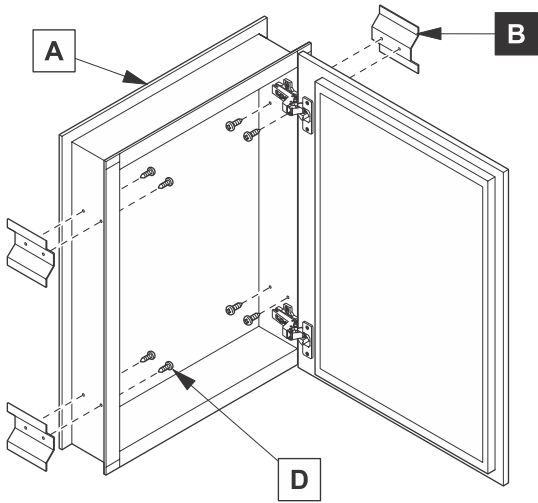


4 Apply silicone and install sink (E)

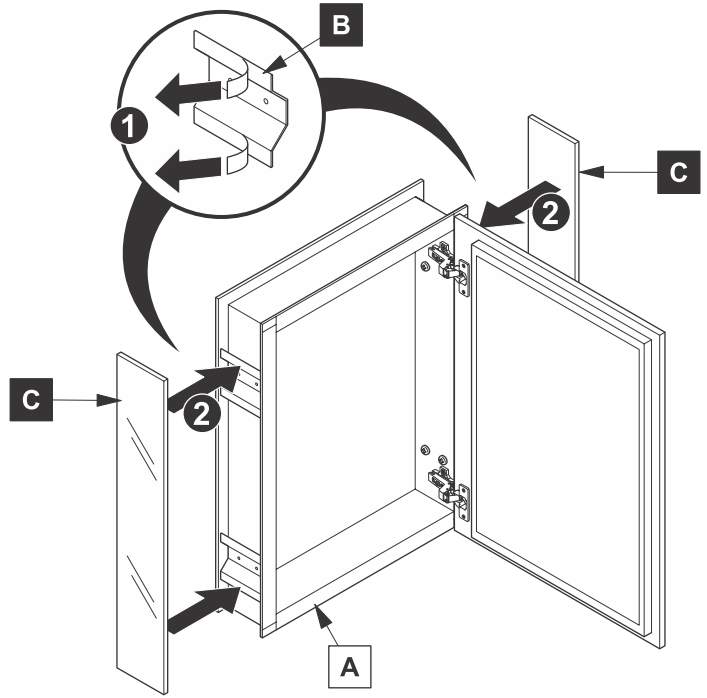


MEDICINE CABINET INSTALLATION

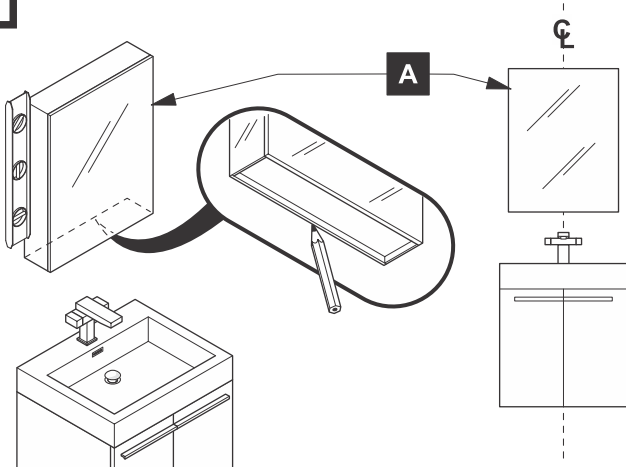
1 Install side brackets (B)



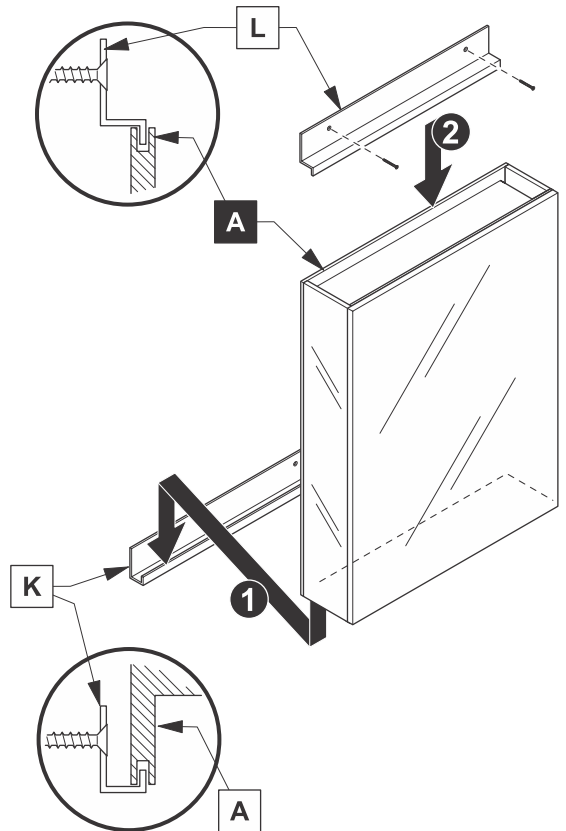
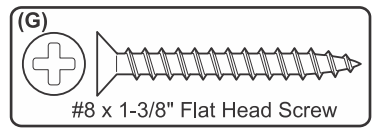
2 Install side mirrors (C)



3 Mark cabinet (A) location

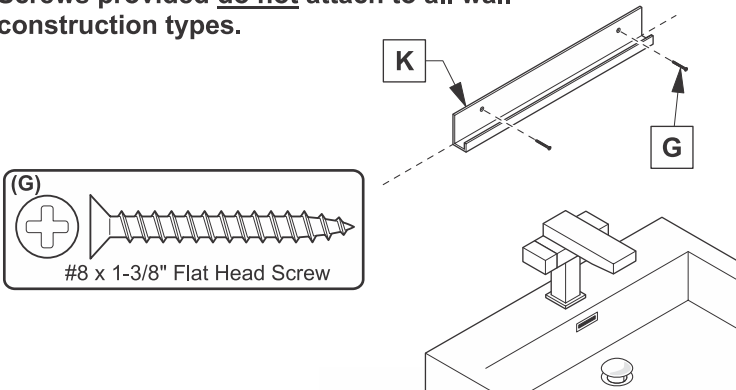


5 Install cabinet (A)



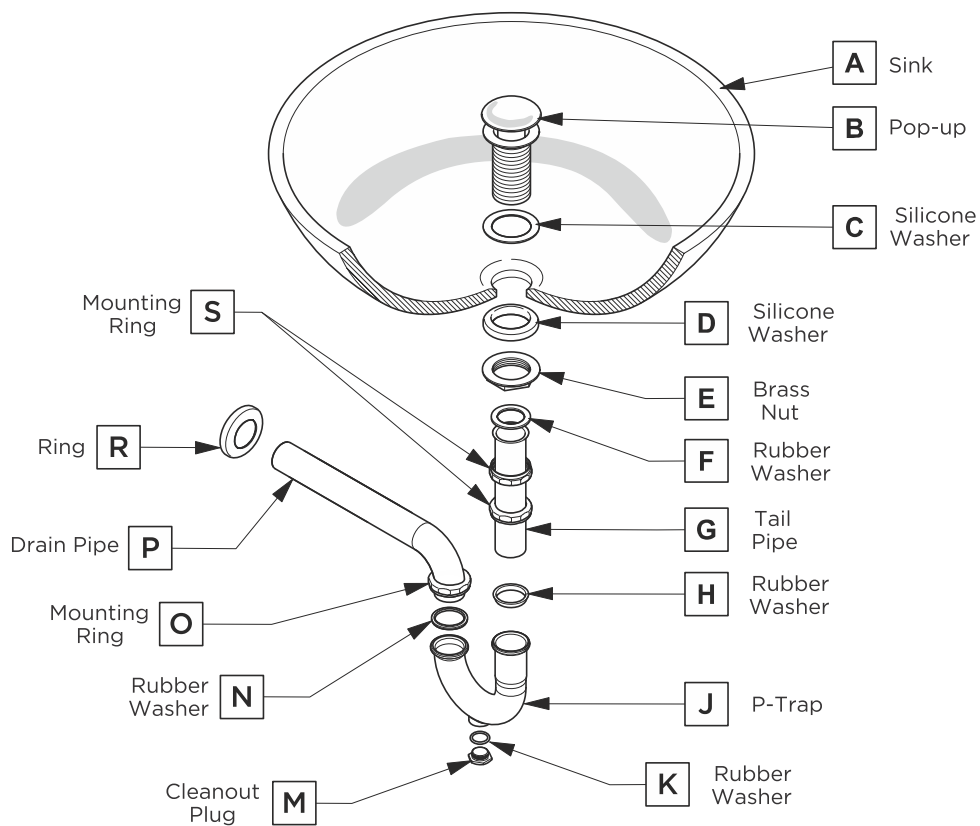
4 Install bottom bracket (K)

IMPORTANT: Consult an expert for the proper screws/bolts to use when attaching to various wall constructions. Screws provided do not attach to all wall construction types.



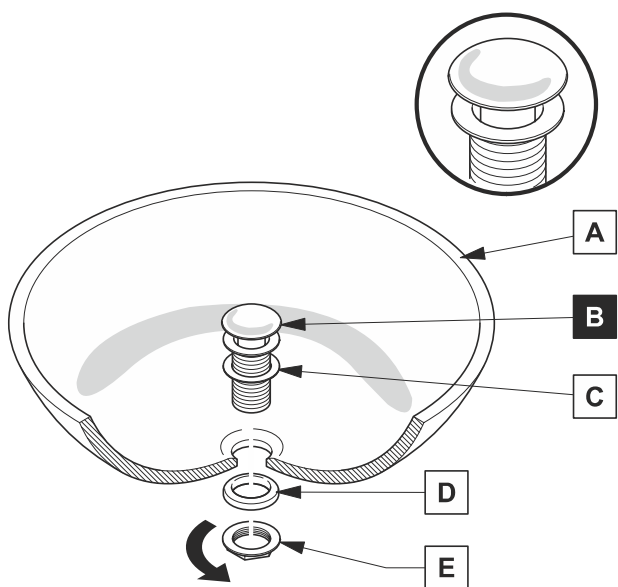
P-TRAP AND POP-UP INSTALLATION INSTRUCTIONS

Your item may appear slightly different from the illustration



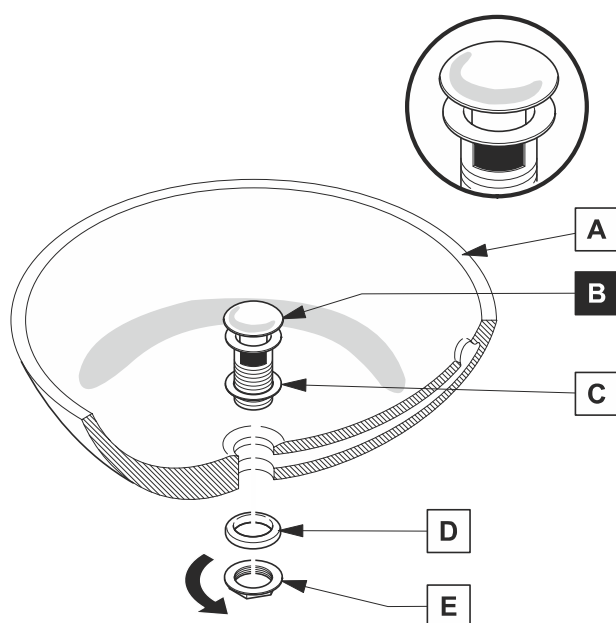
POP-UP INSTALLATION

FOR SINKS WITHOUT OVERFLOW



OR

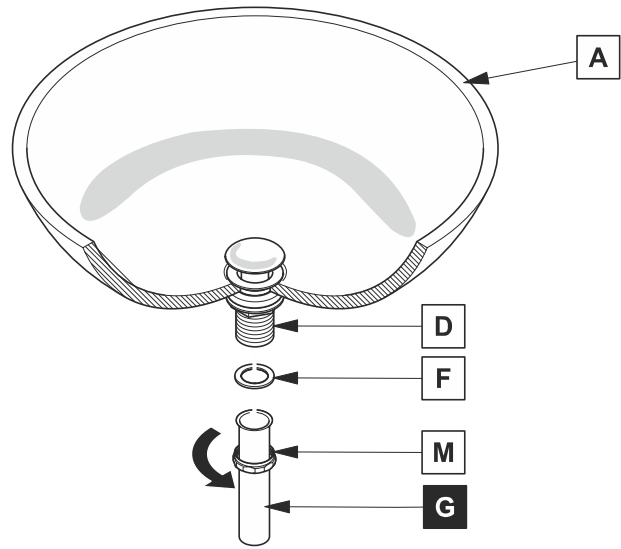
FOR SINKS WITH OVERFLOW



P-TRAP INSTALLATION

1

Install tail pipe (G)



2

Install p-trap (J)

