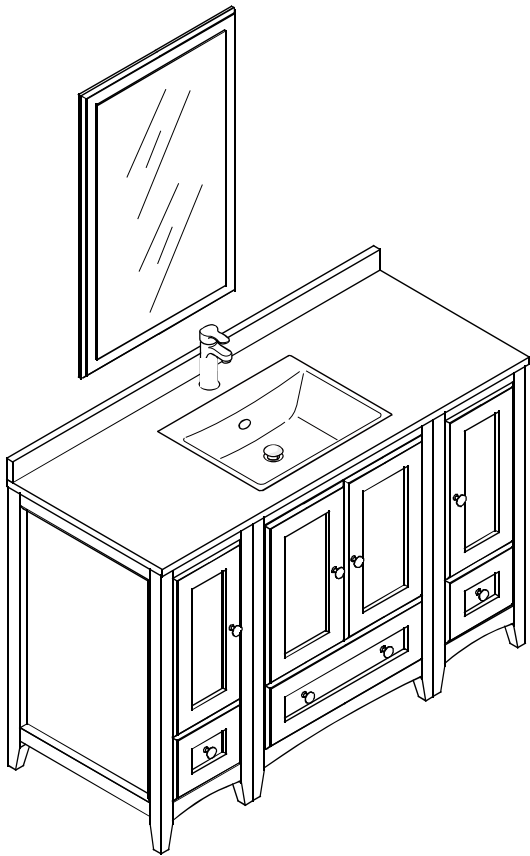
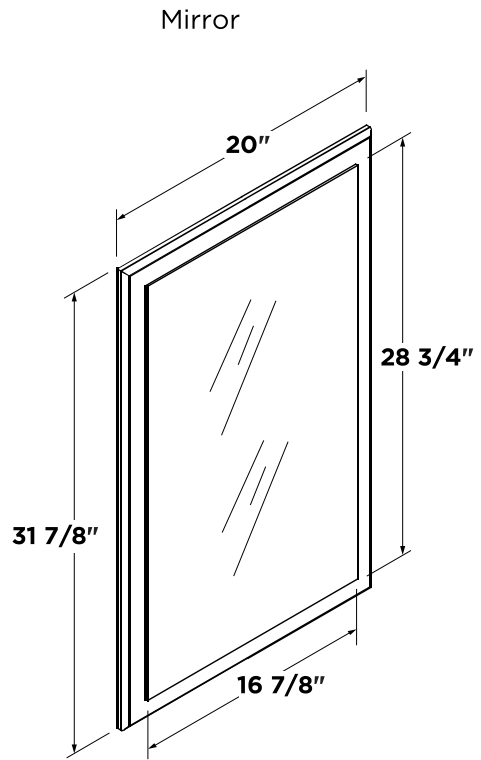
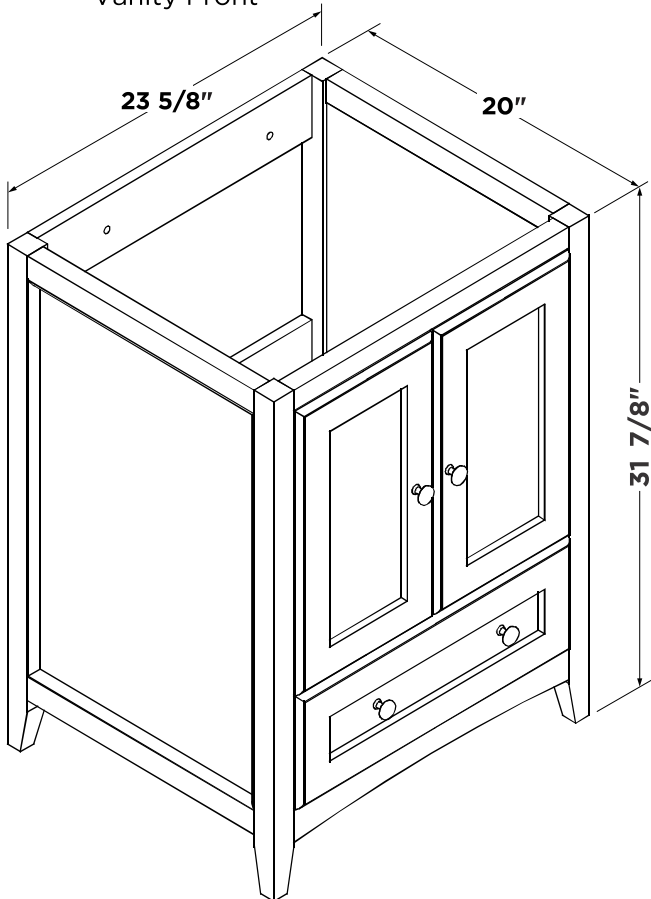


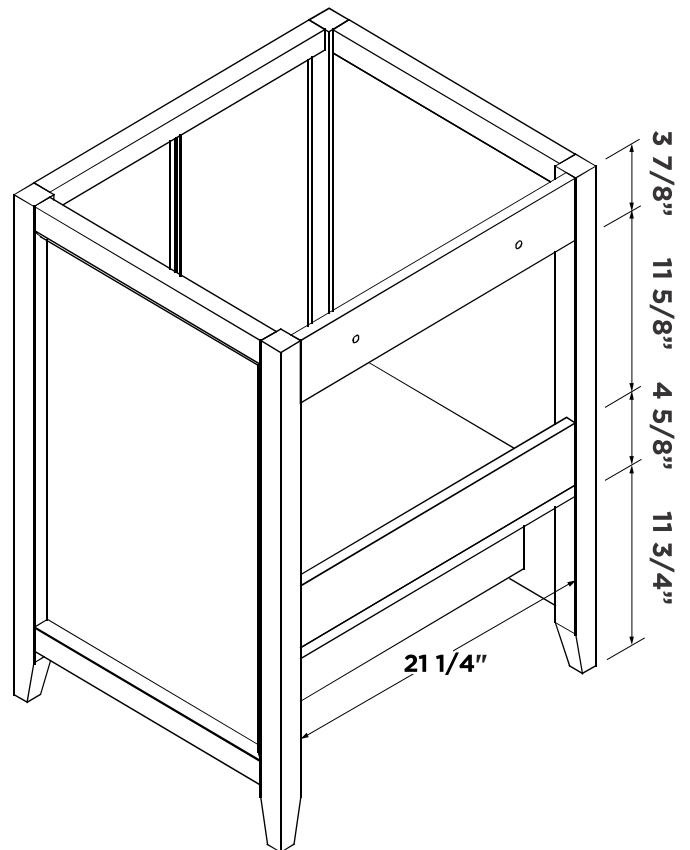
FVN20-122412
OXFORD
INSTALLATION GUIDE



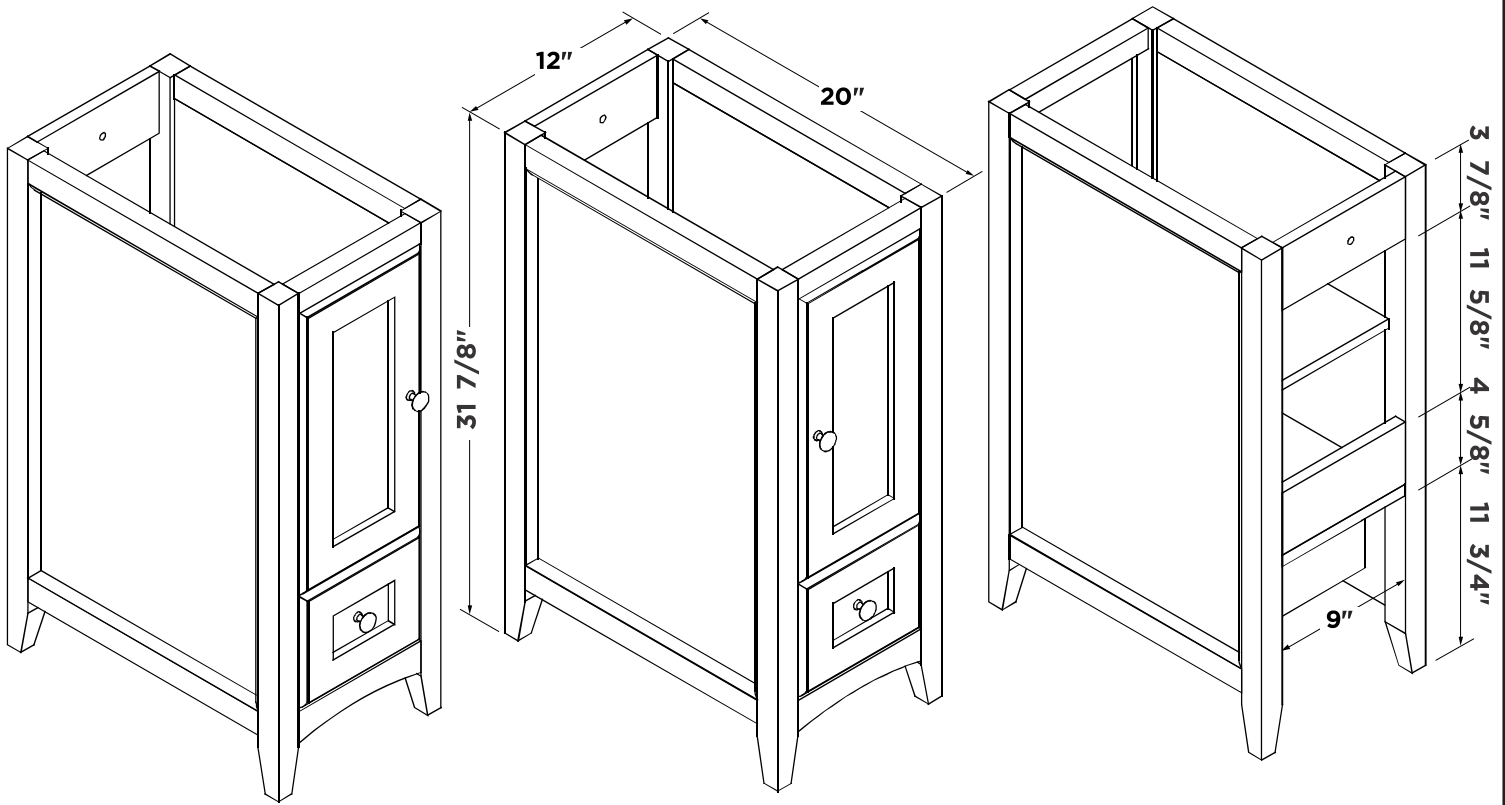
Vanity Front



Vanity Back



Side Cabinet 2pcs

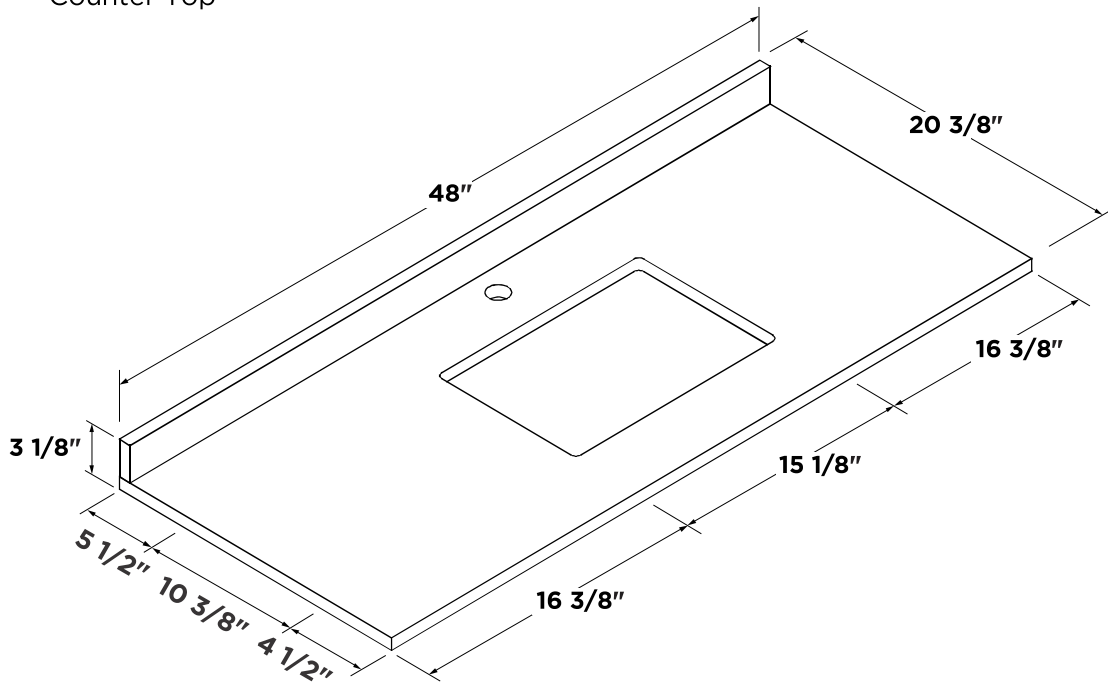


Right Side Cabinet

Left Side Cabinet

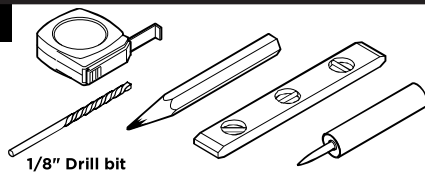
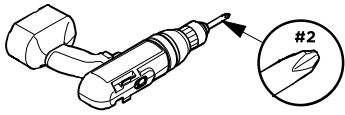
Side Cabinet Back

Counter Top



Note: All dimensions and specifications are approximate and subject to change without notice.

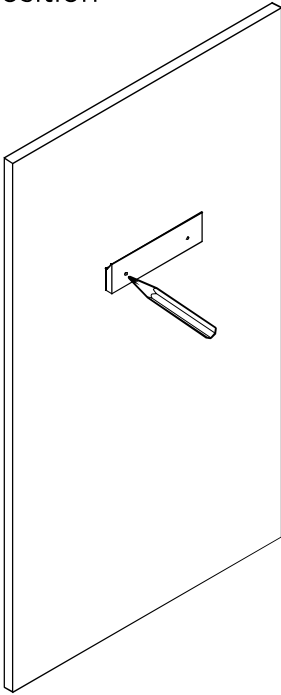
TOOLS FOR ASSEMBLY



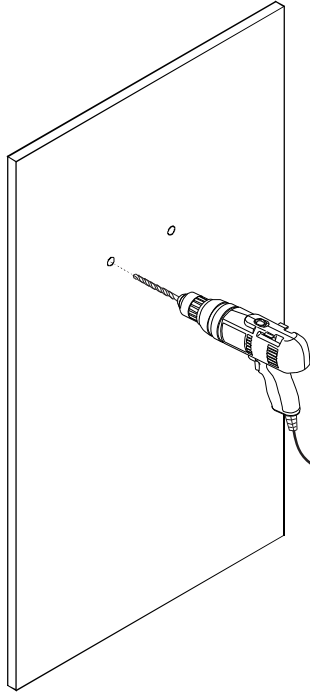
1/8" Drill bit

MIRROR INSTALLATION

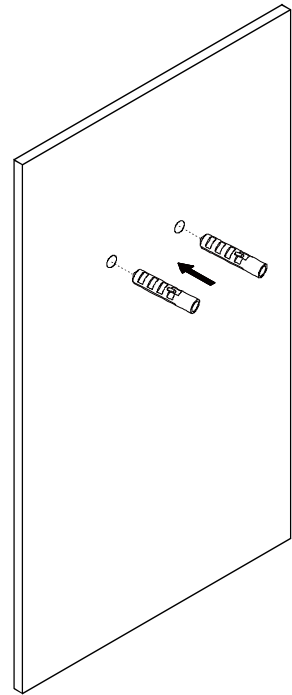
- 1** Level the mirror bracket and then mark the installation position



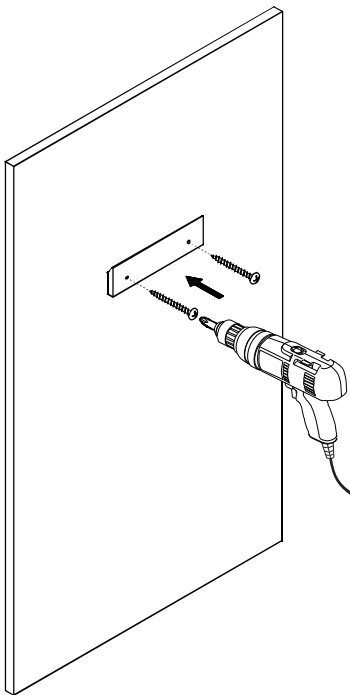
- 2** Drill the installation holes



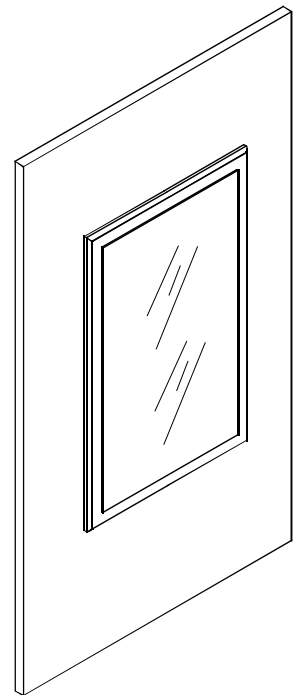
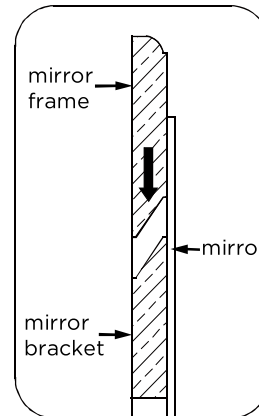
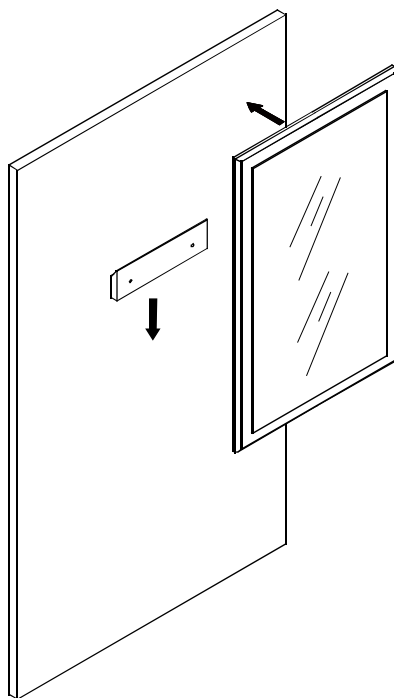
- 3** Insert the plastic plug



- 4** Fix the mirror bracket

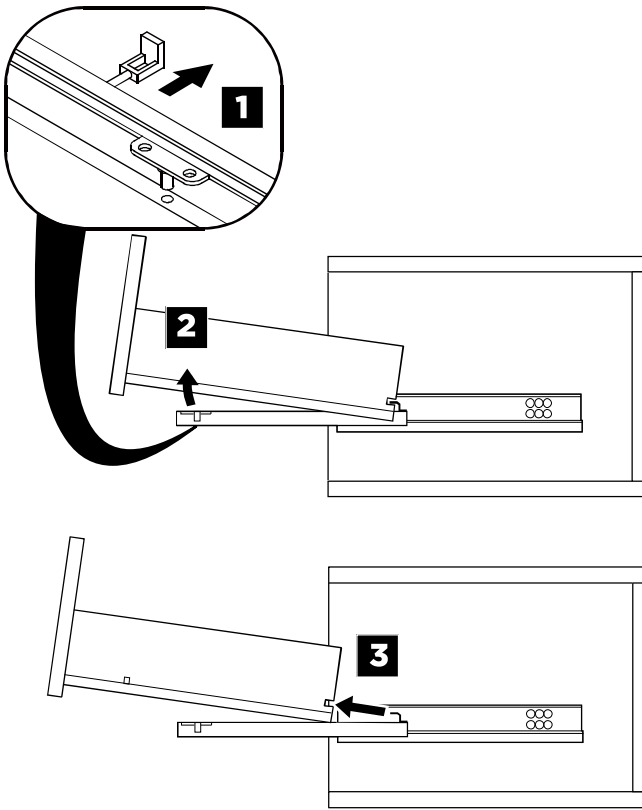


- 5** Hang up the mirror

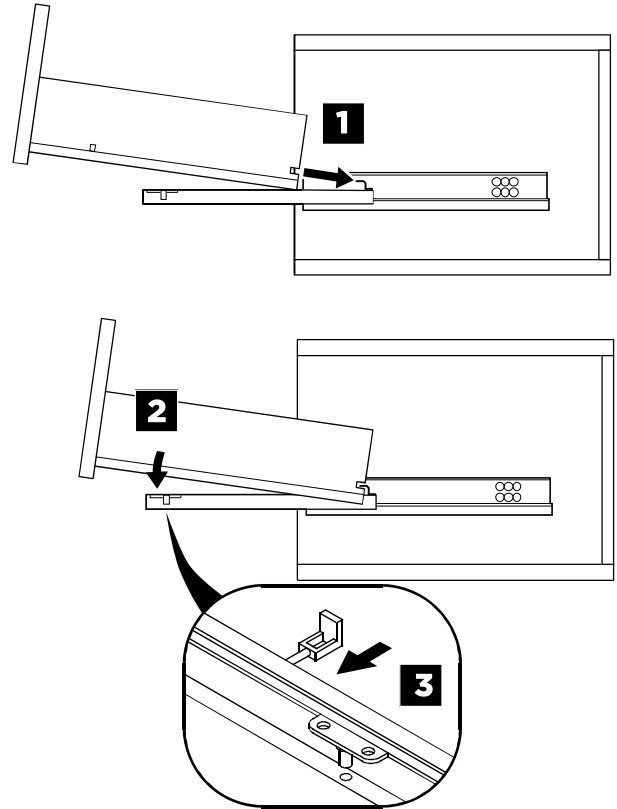


DRAWER REMOVAL & INSTALLATION

REMOVAL

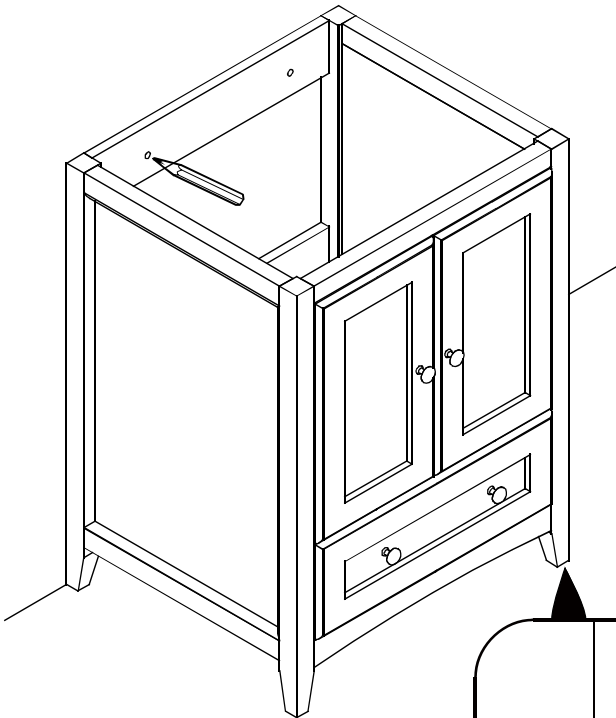


INSTALLATION



1

Level the cabinet and mark the installation position

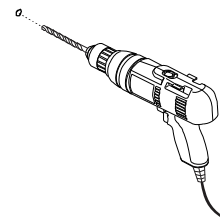


Adjust the adjustable level to ensure the cabinet stable

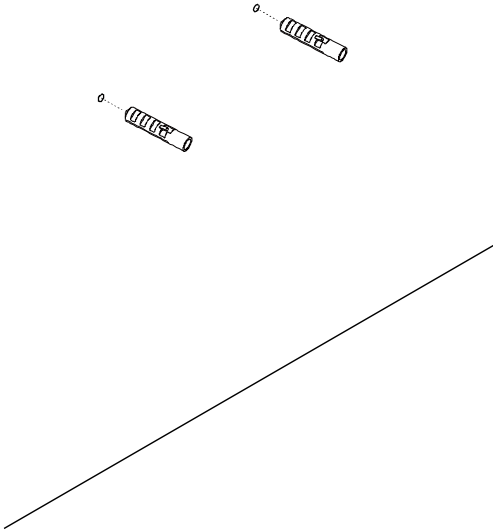
OPTIONAL STEP

2

Drill the installing holes

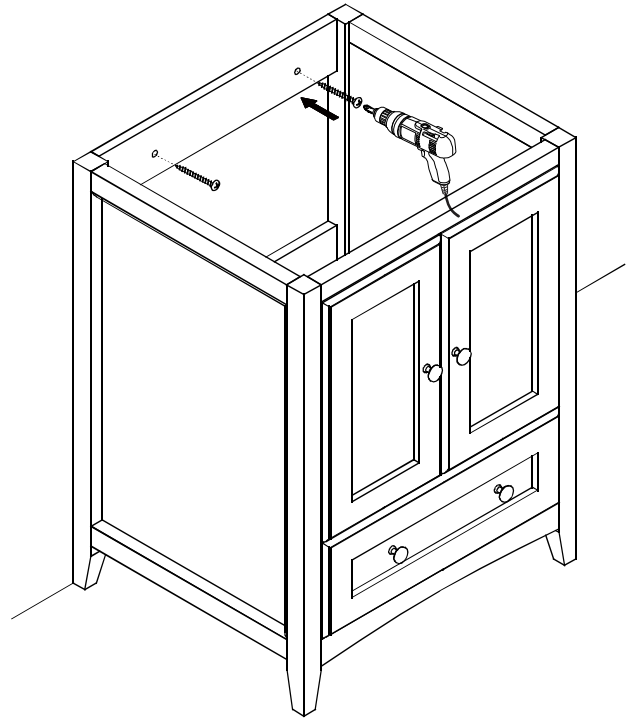


3 Insert the expansible plastic plugs

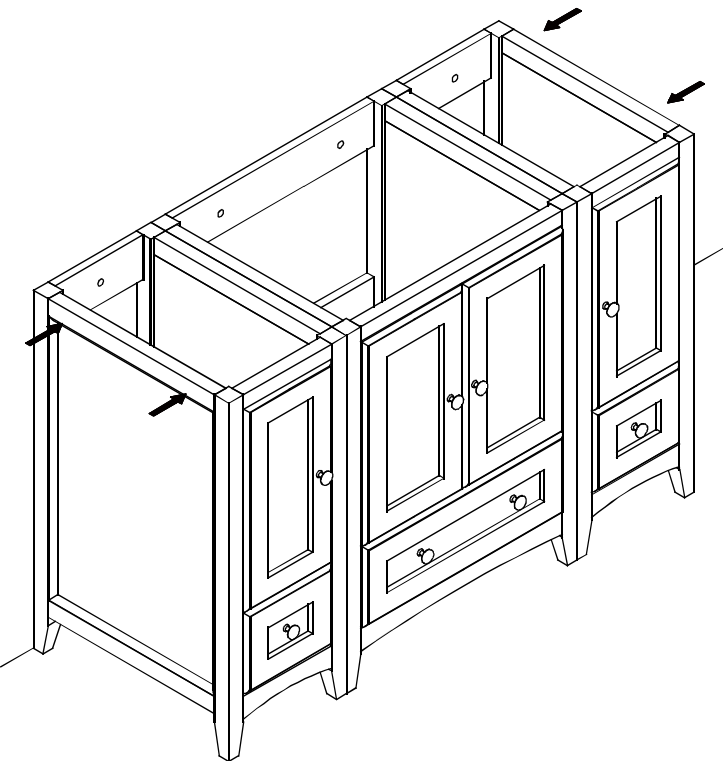


4 Install cabinet

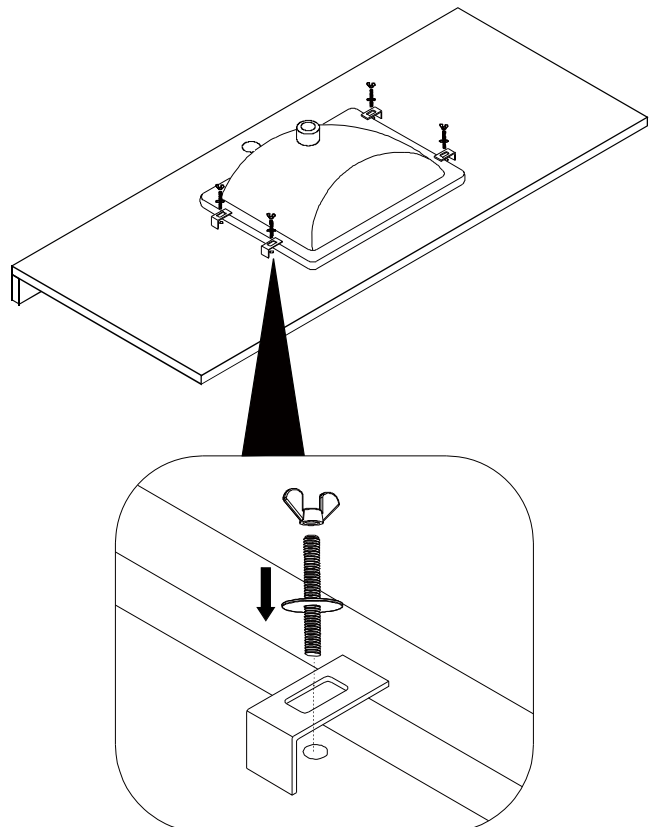
IMPORTANT: Consult an expert for the proper screws/bolts to use when attaching to various wall constructions. Screws provided do not attach to all wall construction types.

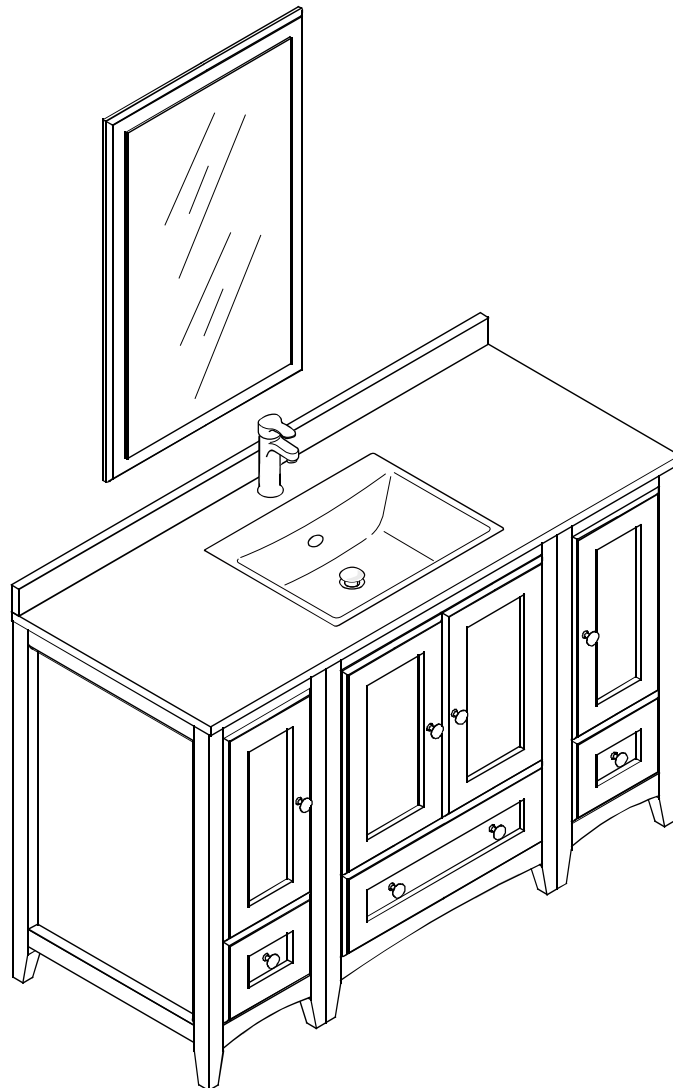
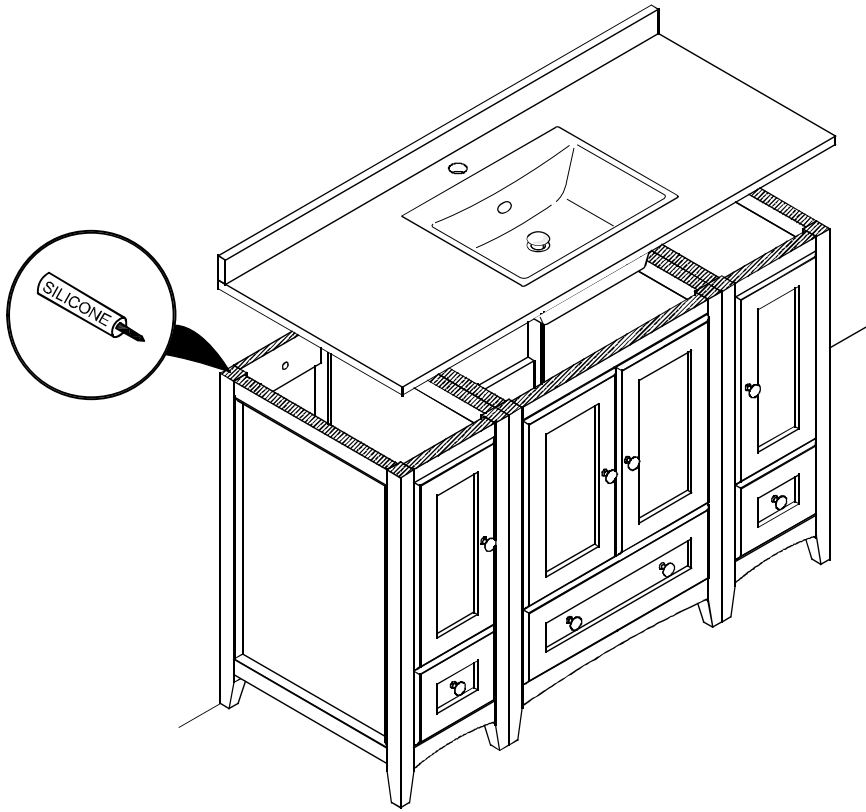


5 Align and level the side cabinet as below illustrated shown, then install side cabinets according to master cabinet installation procedure.



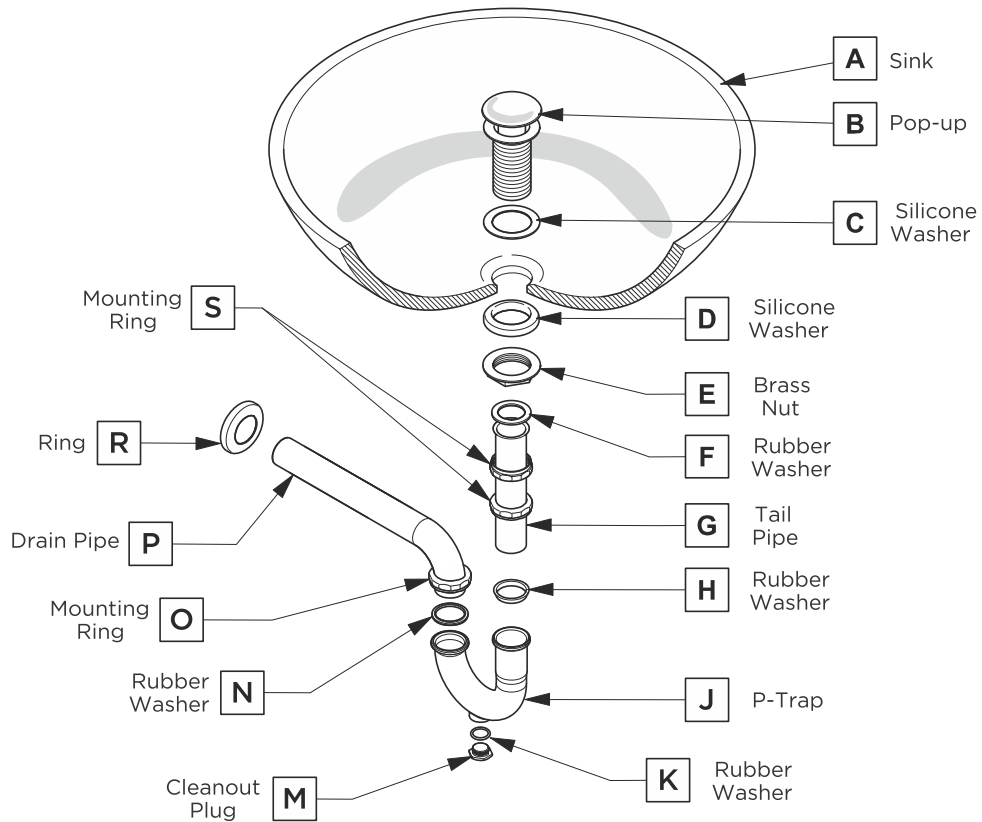
6 Install sink





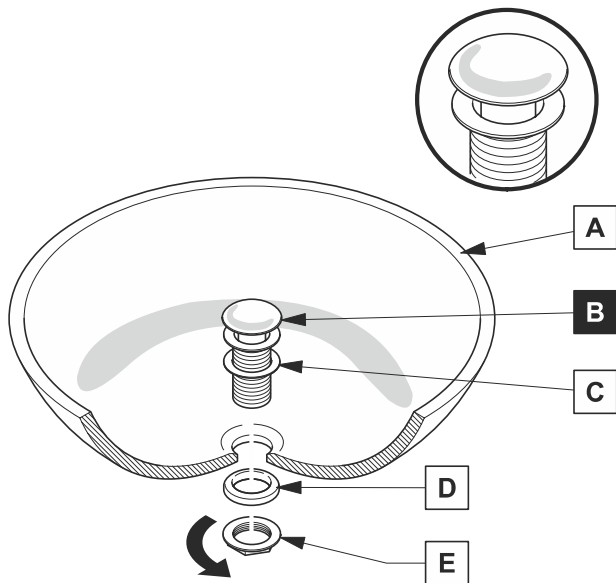
P-TRAP AND POP-UP INSTALLATION INSTRUCTIONS

Your item may appear slightly different from the illustration



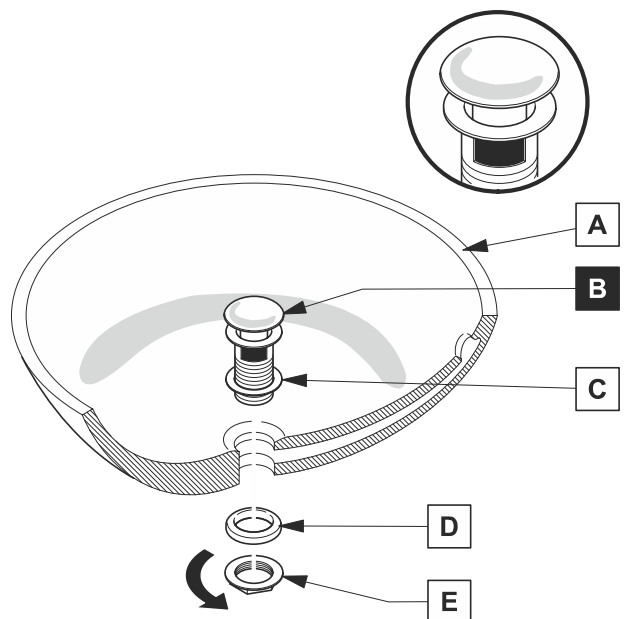
POP-UP INSTALLATION

FOR SINKS WITHOUT OVERFLOW



OR

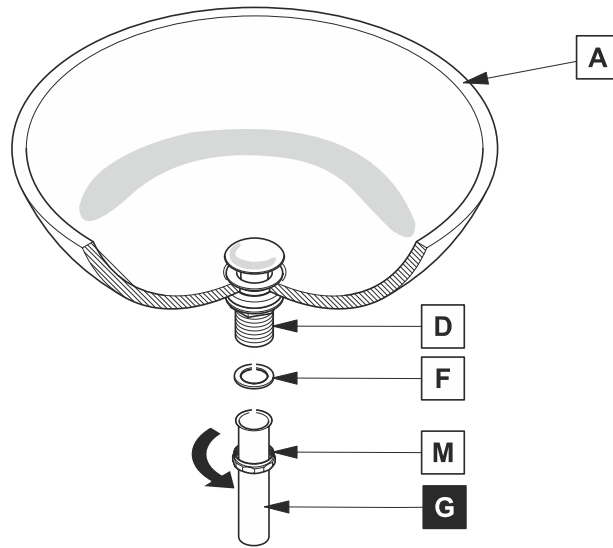
FOR SINKS WITH OVERFLOW



P-TRAP INSTALLATION

1

Install tail pipe (G)



2

Install p-trap (J)

