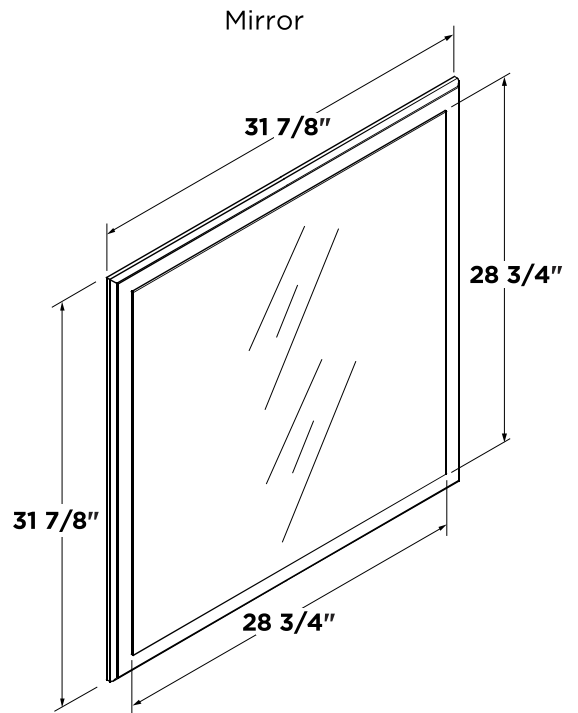
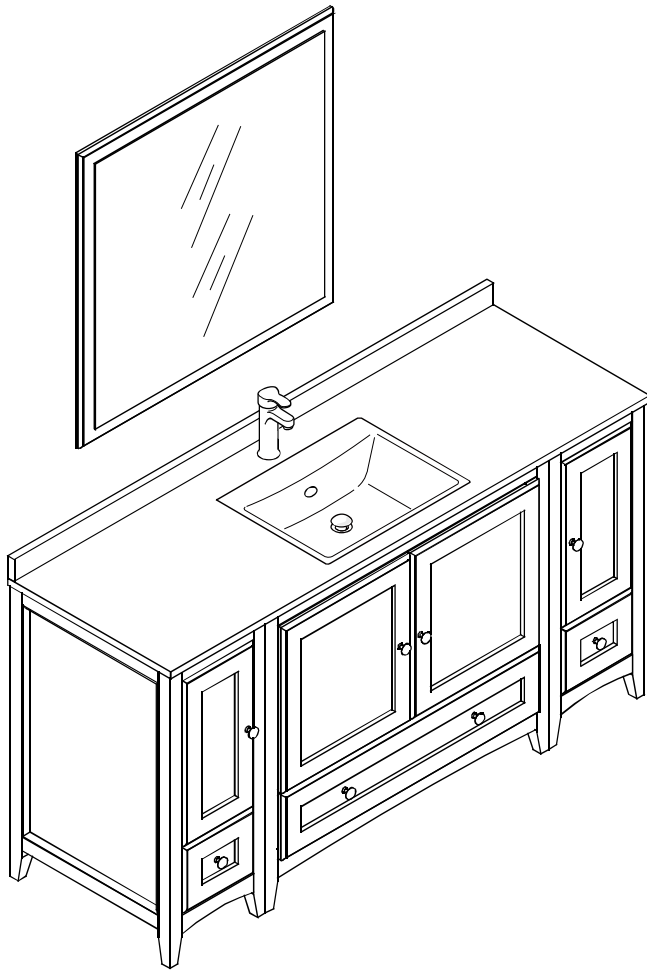
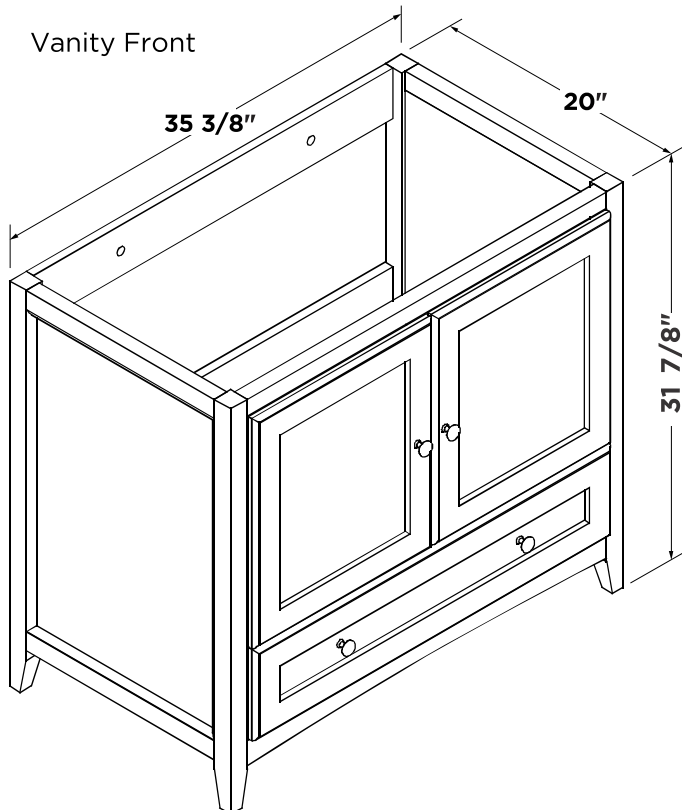


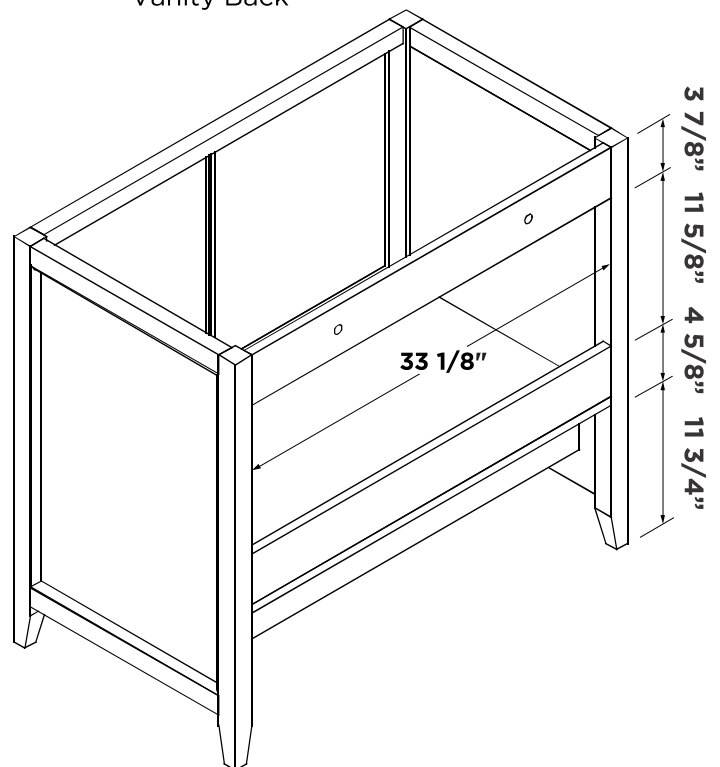
**FVN20-123612**  
**OXFORD**  
**INSTALLATION GUIDE**



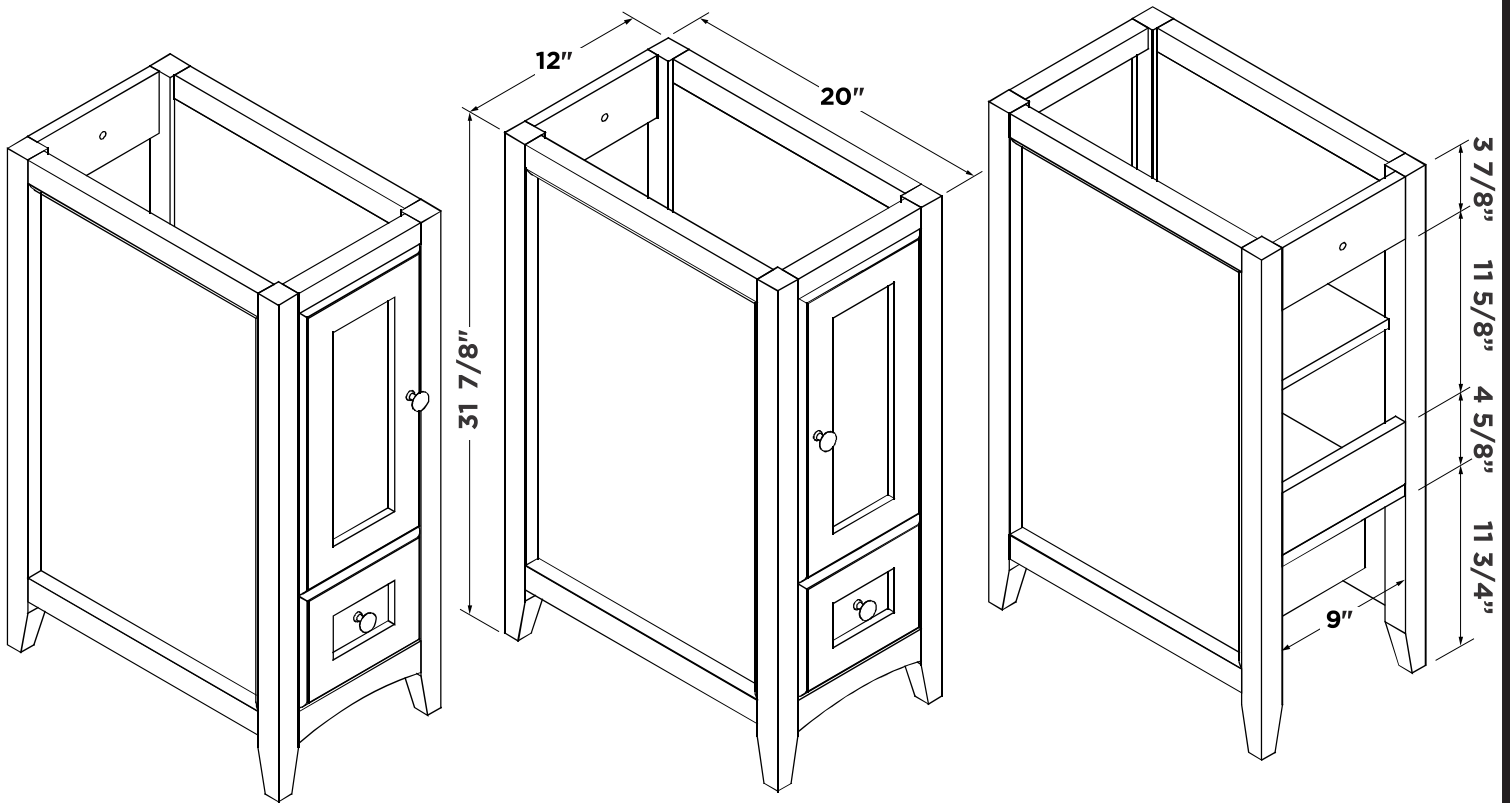
Vanity Front



Vanity Back



Side Cabinet 2pcs

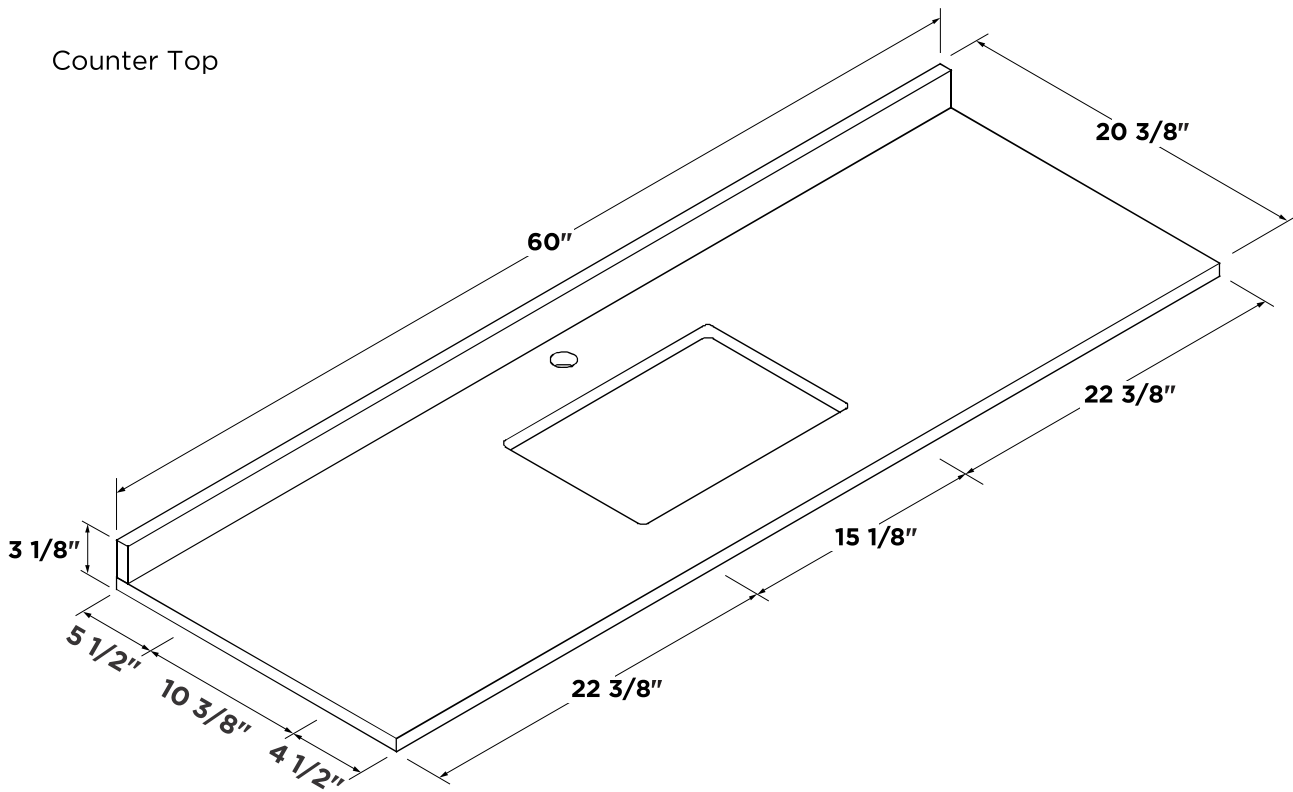


Right Side Cabinet

Left Side Cabinet

Side Cabinet Back

Counter Top



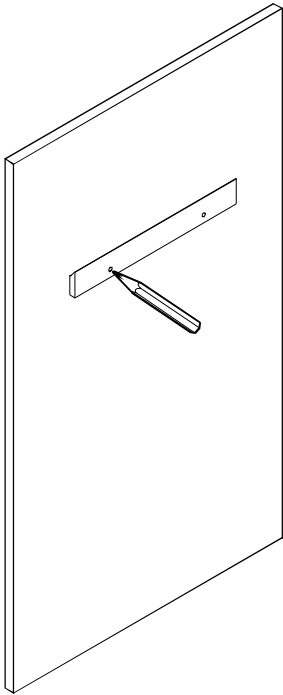
Note: All dimensions and specifications are approximate and subject to change without notice.

## TOOLS FOR ASSEMBLY

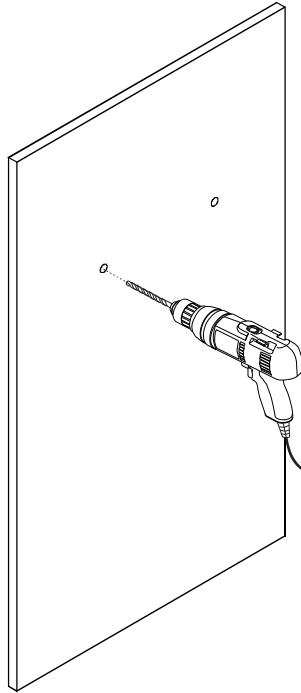


## MIRROR INSTALLATION

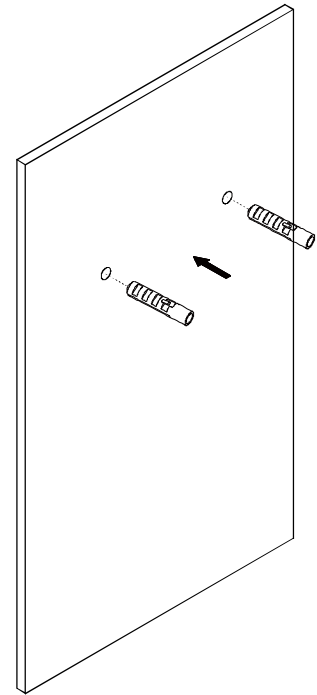
- 1** Level the mirror bracket and then mark the installation position



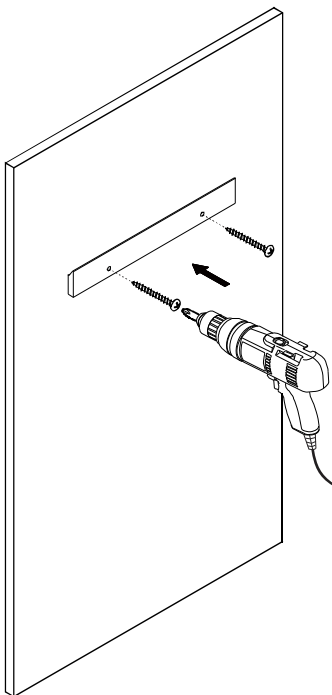
- 2** Drill the installation holes



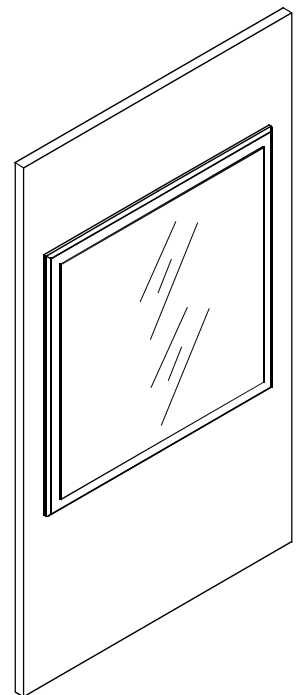
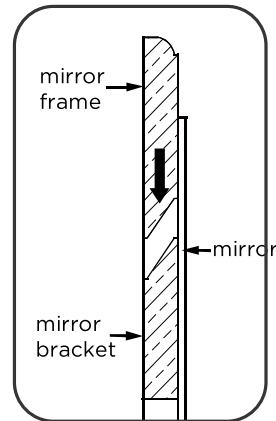
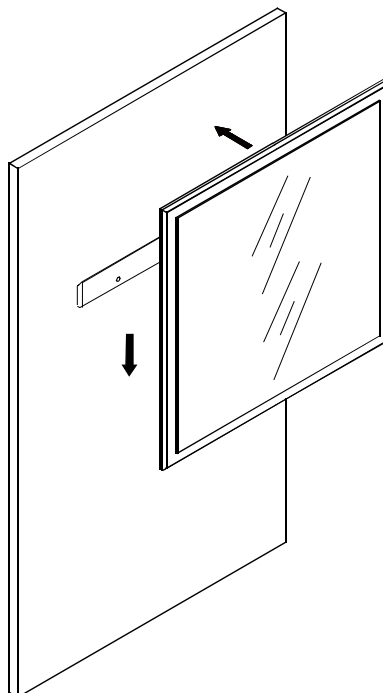
- 3** Insert the plastic plug



- 4** Fix the mirror bracket

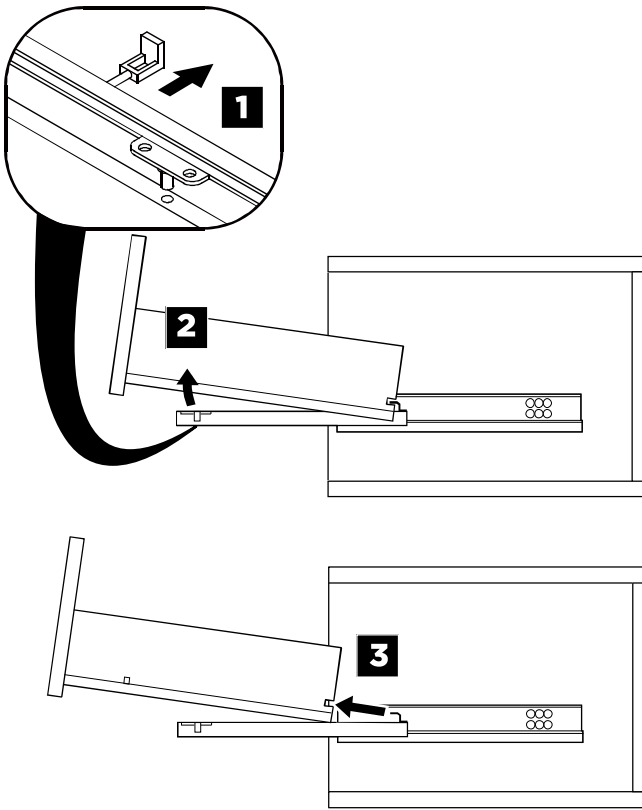


- 5** Hang up the mirror

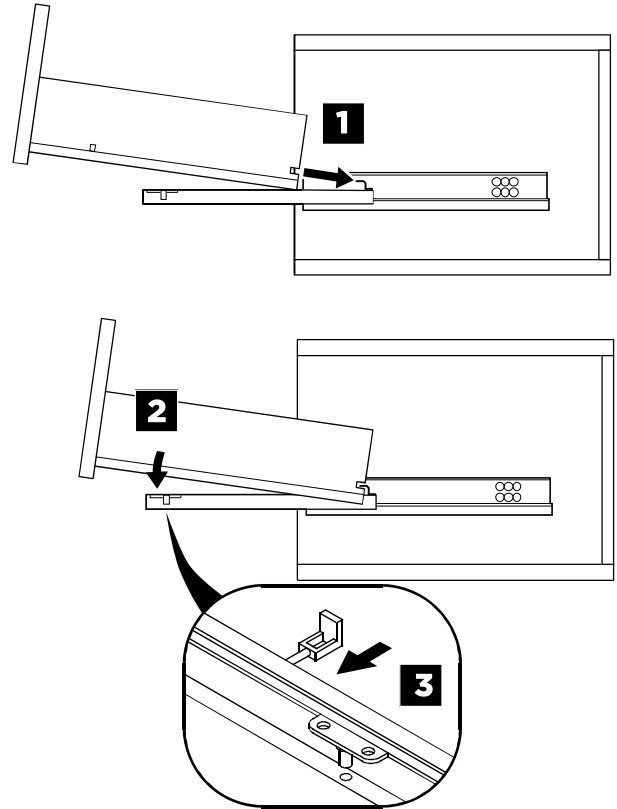


# DRAWER REMOVAL & INSTALLATION

## REMOVAL



## INSTALLATION

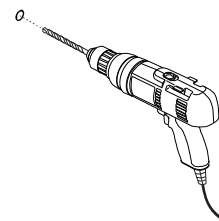
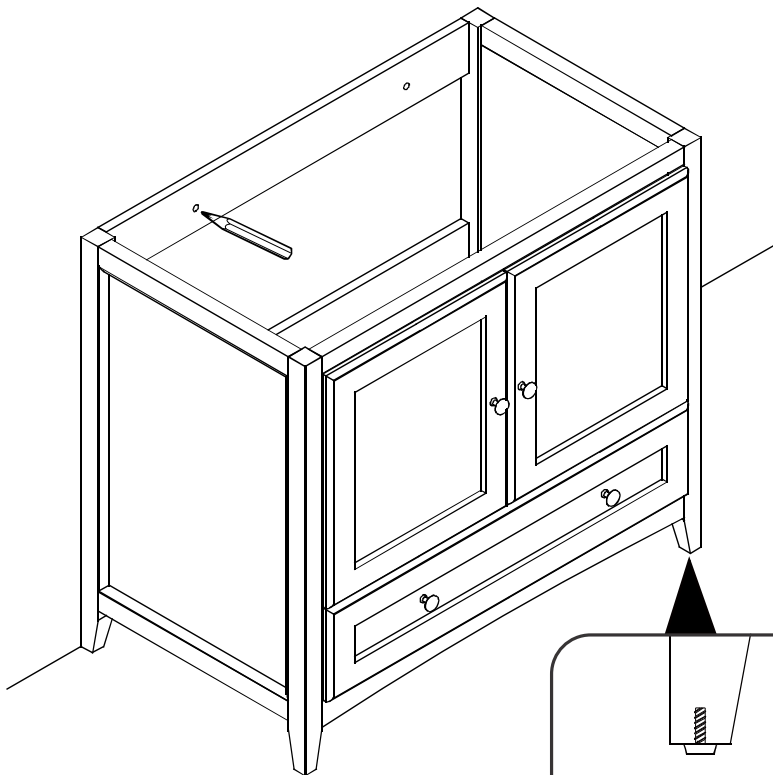


**1**

Level the cabinet and mark the installation position

**2**

Drill the installing holes

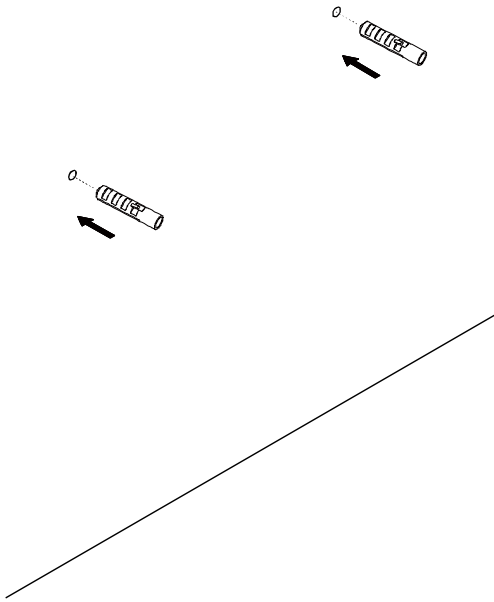


Adjust the adjustable level to ensure the cabinet stable

OPTIONAL STEP

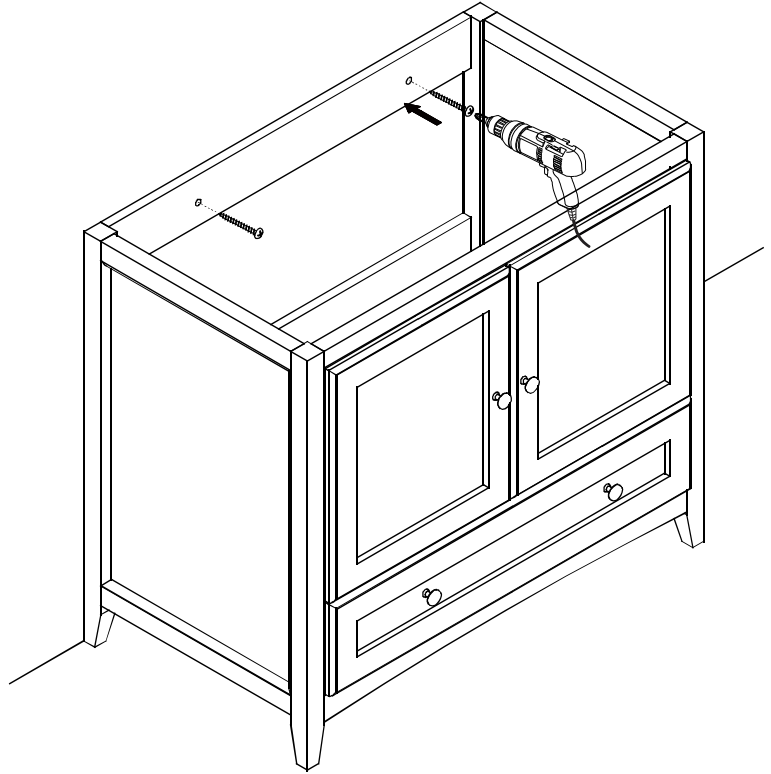


**3** Insert the expansible plastic plugs

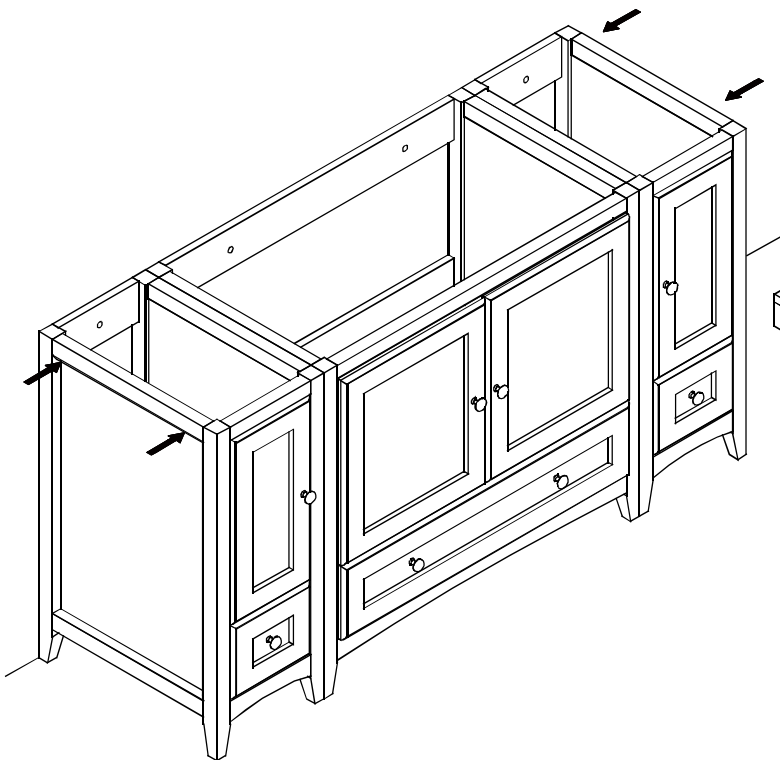


**4** Install cabinet

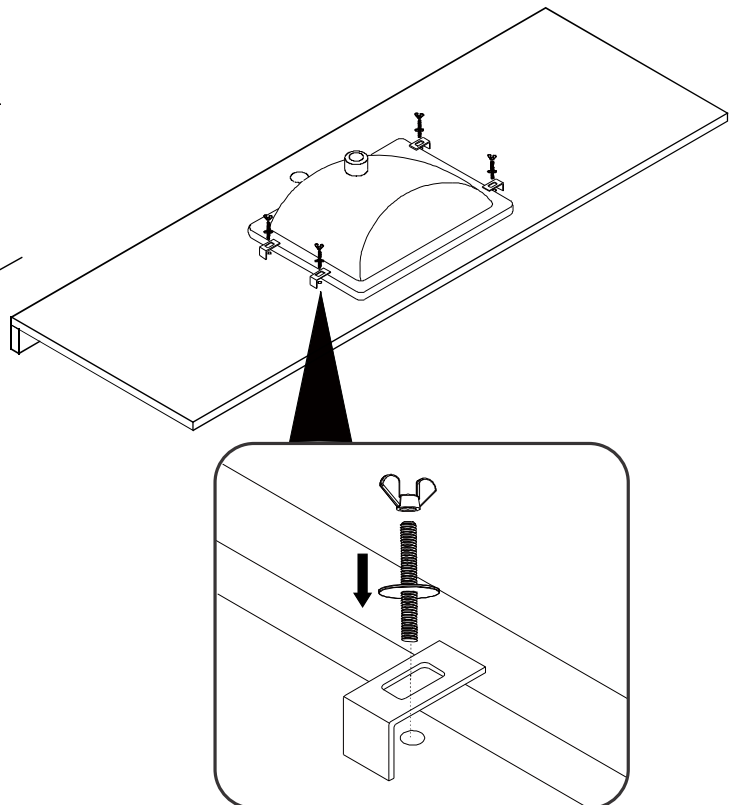
**IMPORTANT:** Consult an expert for the proper screws/bolts to use when attaching to various wall constructions. Screws provided do not attach to all wall construction types.



**5** Align and level the side cabinet as below illustrated shown, then install side cabinets according to master cabinet installation procedure.

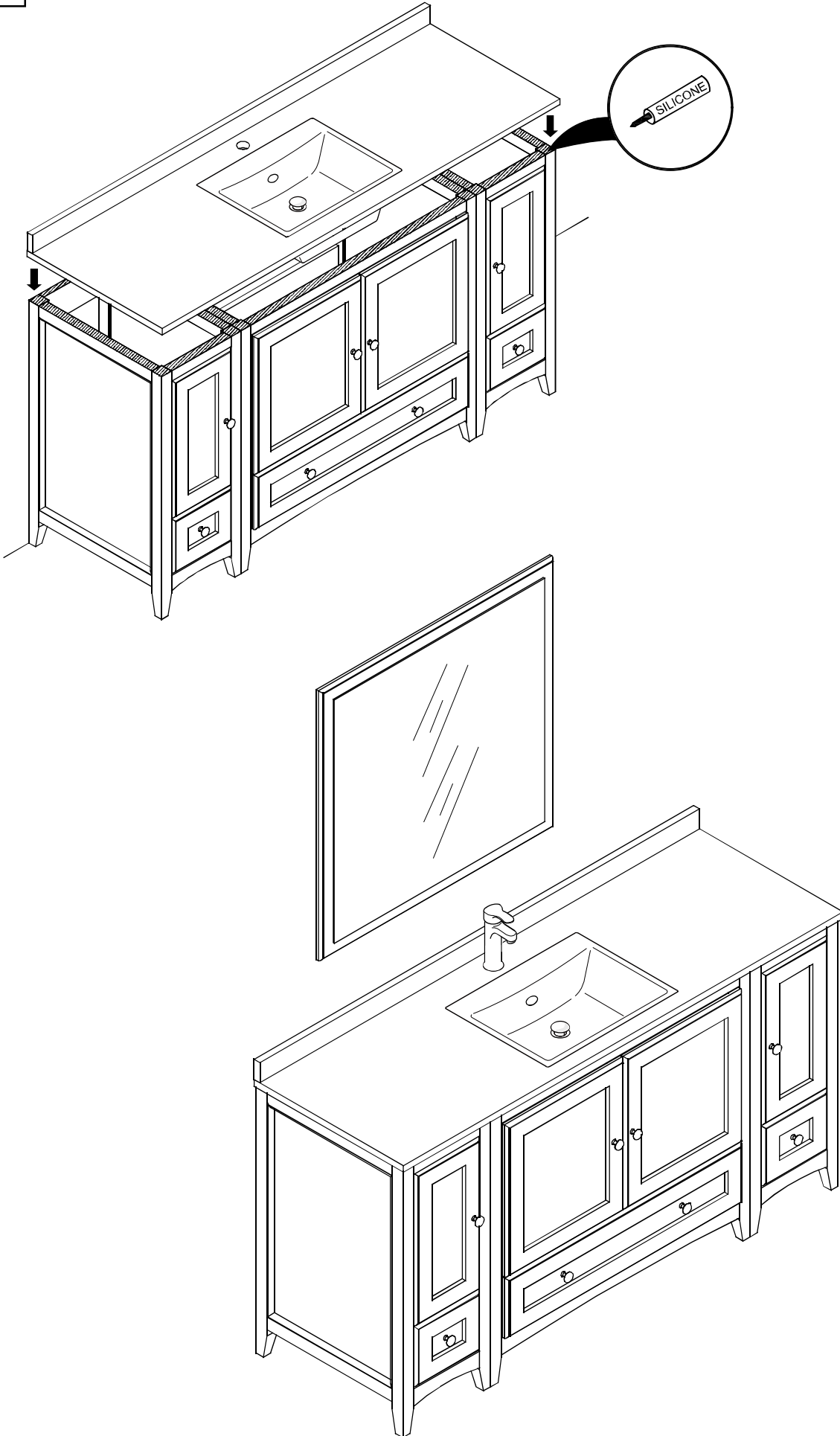


**6** Install sink



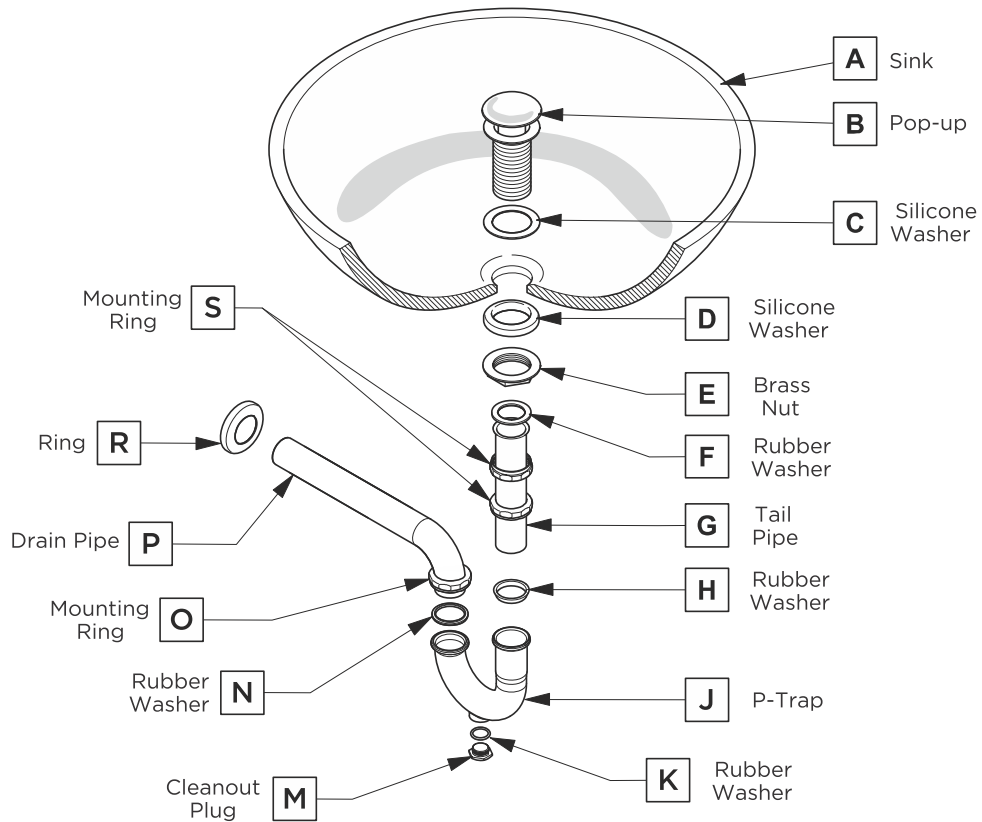
7

Install counter top



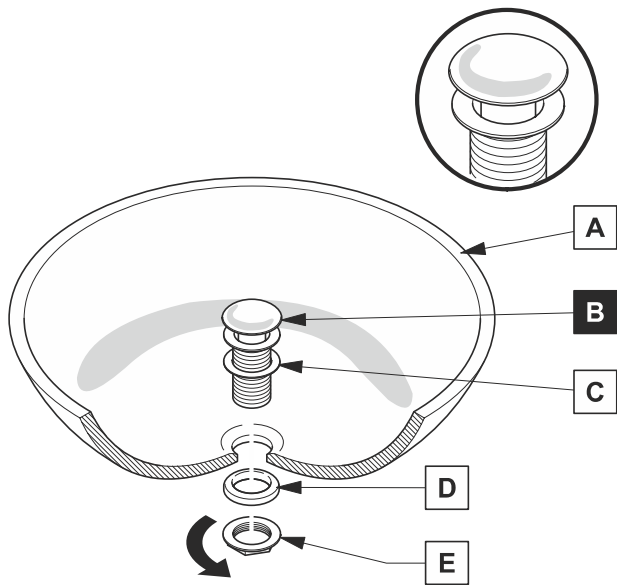
## P-TRAP AND POP-UP INSTALLATION INSTRUCTIONS

Your item may appear slightly different from the illustration



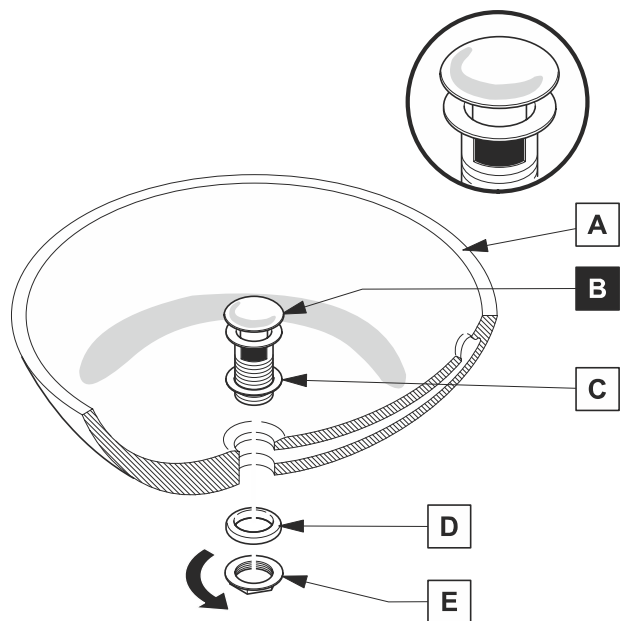
### POP-UP INSTALLATION

#### FOR SINKS WITHOUT OVERFLOW



OR

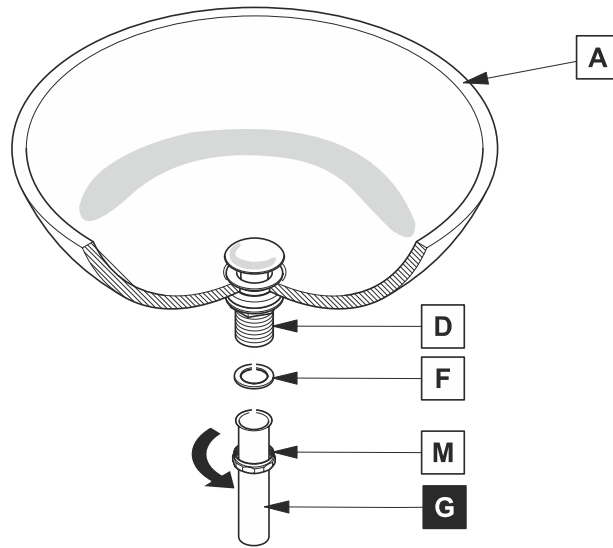
#### FOR SINKS WITH OVERFLOW



# P-TRAP INSTALLATION

1

Install tail pipe (G)



2

Install p-trap (J)

