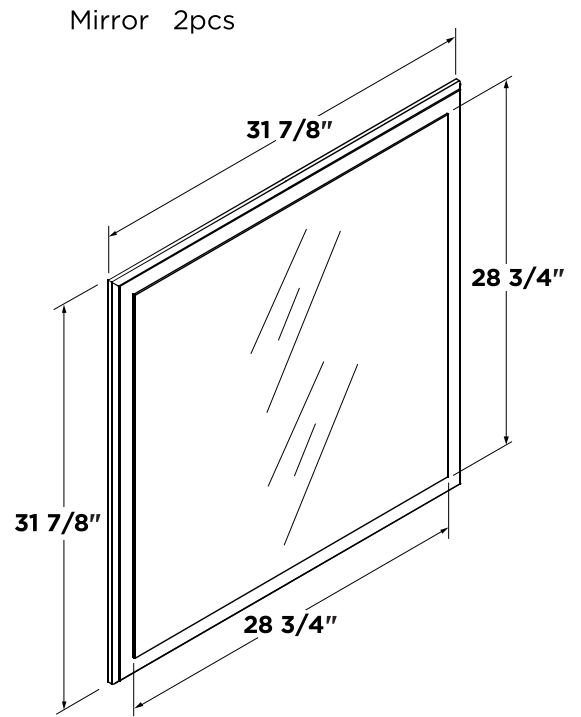
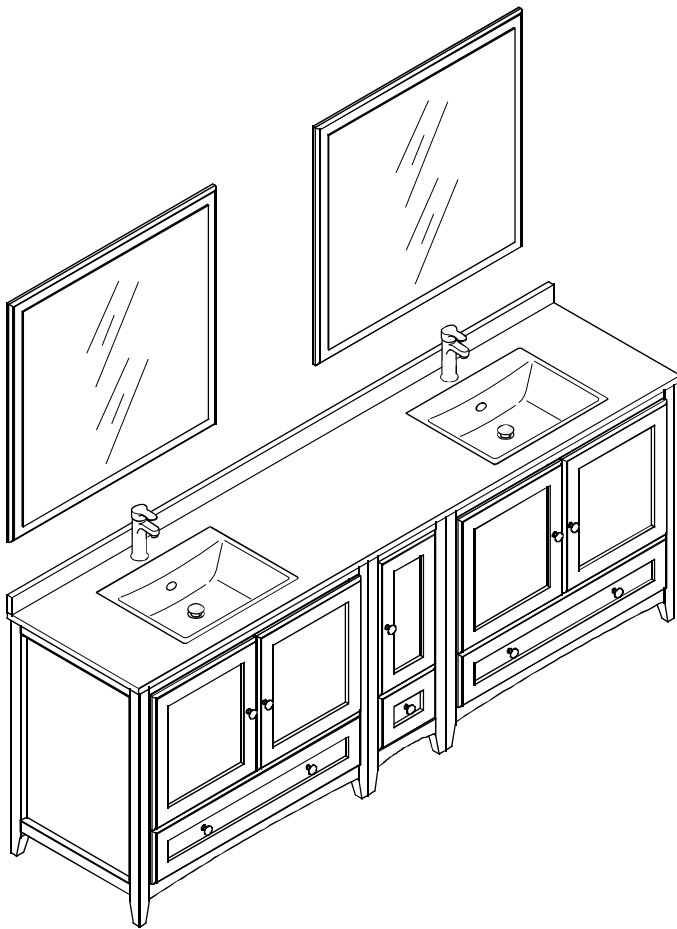
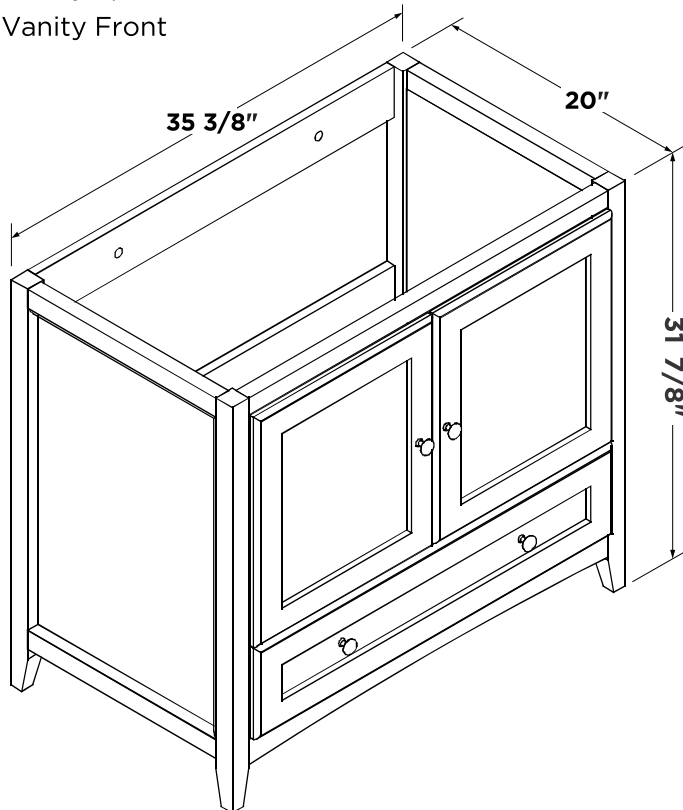


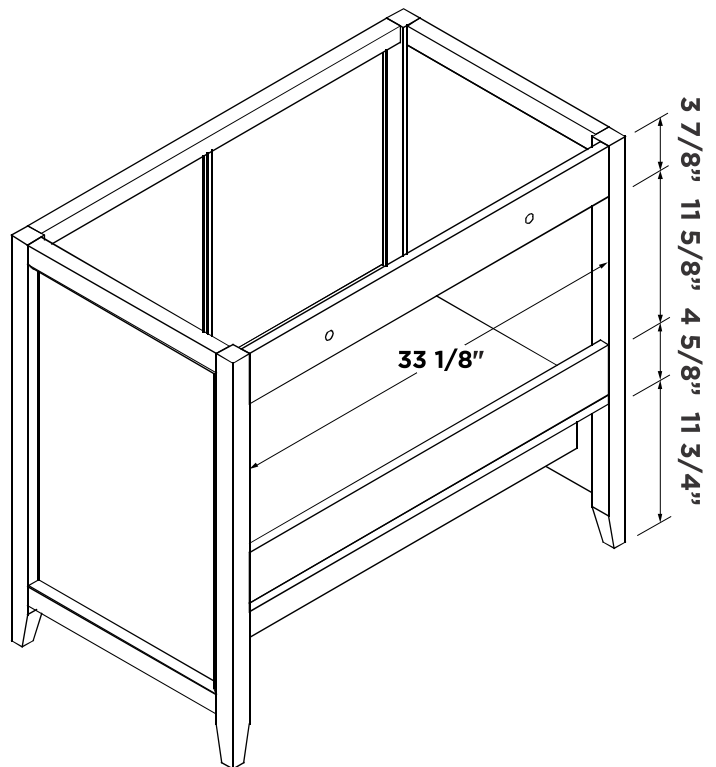
FVN20-361236
OXFORD
INSTALLATION GUIDE



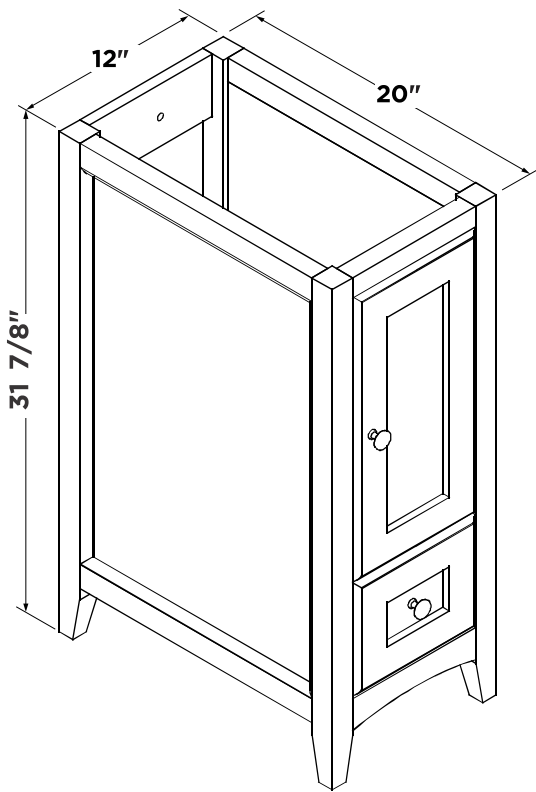
Vanity 2pcs
 Vanity Front



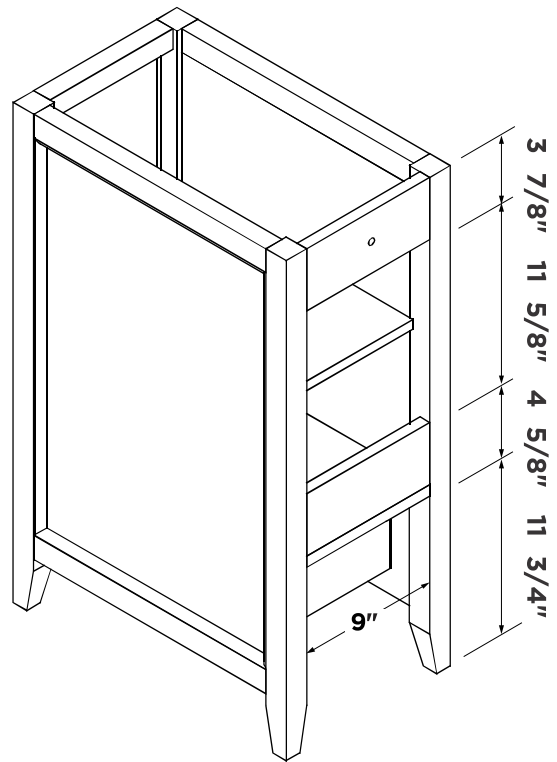
Vanity Back



Side Cabinet

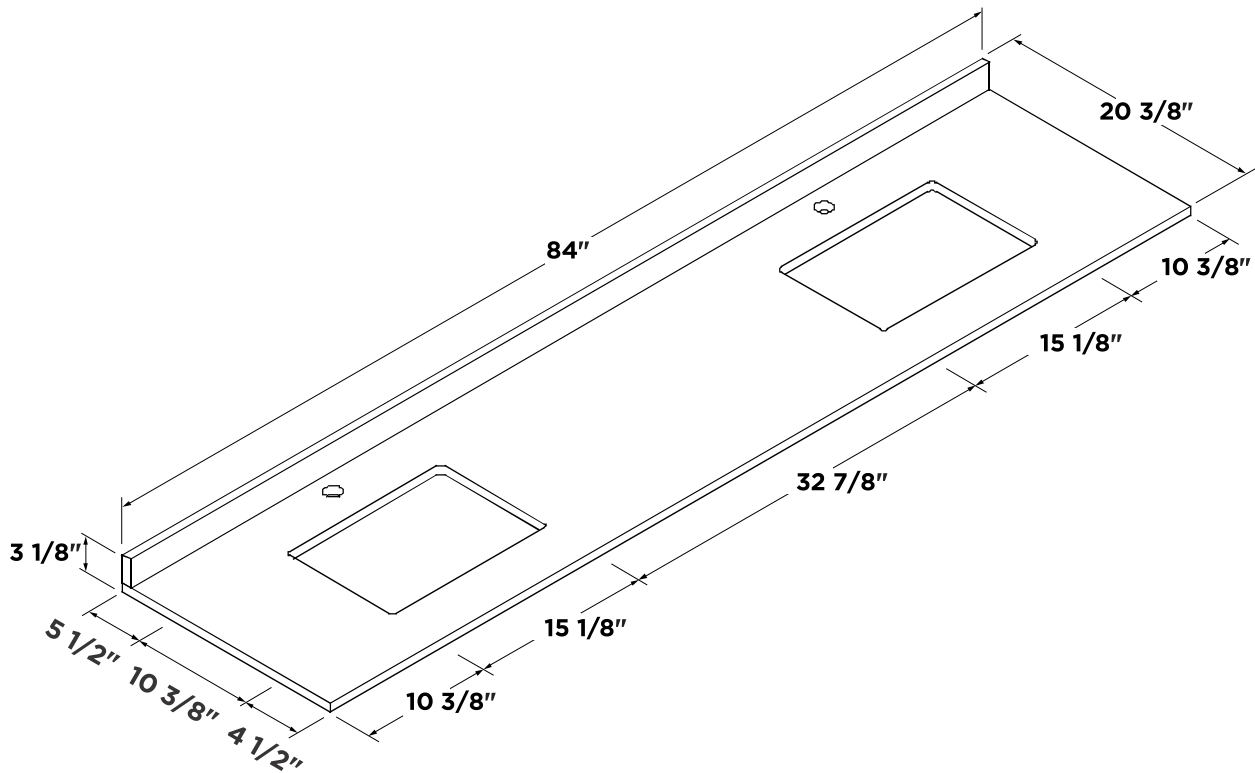


Side Cabinet Front



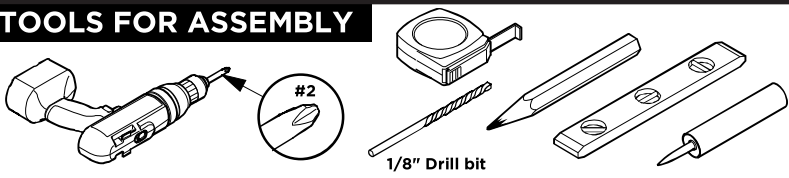
Side Cabinet Back

Counter Top



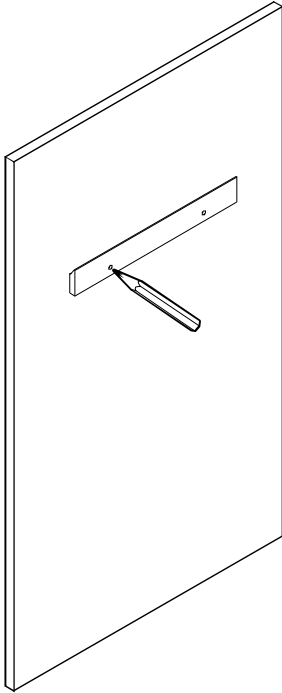
Note: All dimensions and specifications are approximate and subject to change without notice.

TOOLS FOR ASSEMBLY

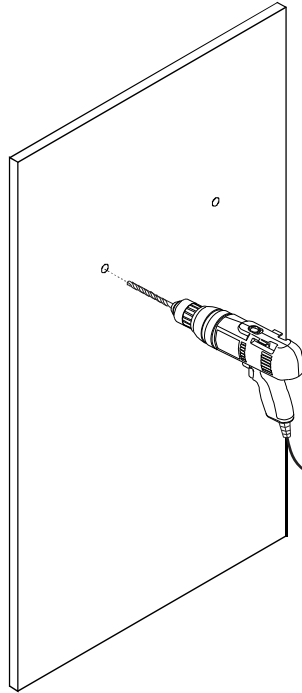


MIRROR INSTALLATION

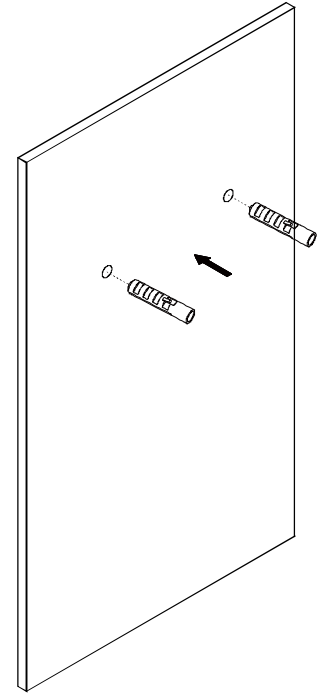
- 1** Level the mirror bracket and then mark the installation position



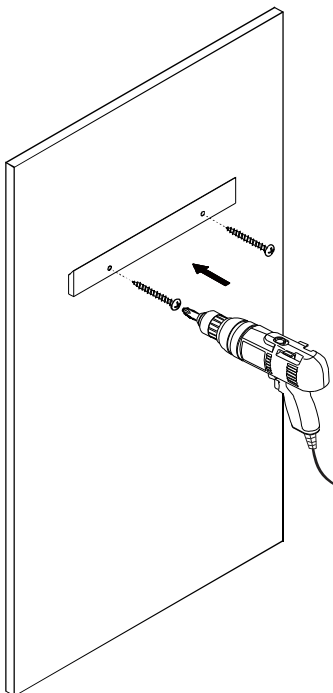
- 2** Drill the installation holes



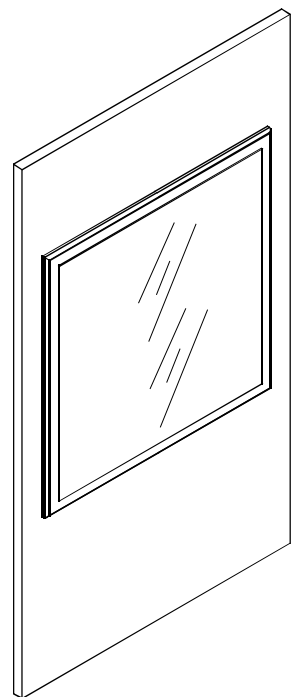
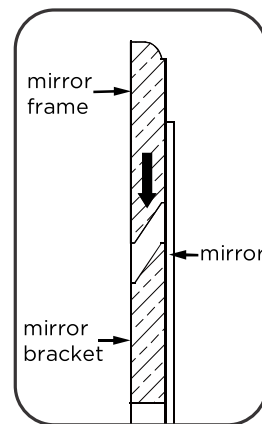
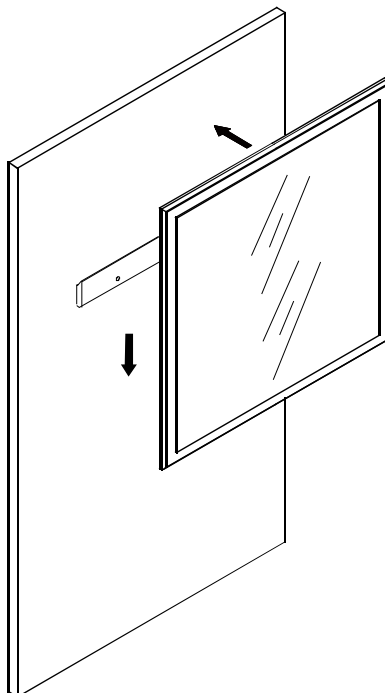
- 3** Insert the plastic plug



- 4** Fix the mirror bracket

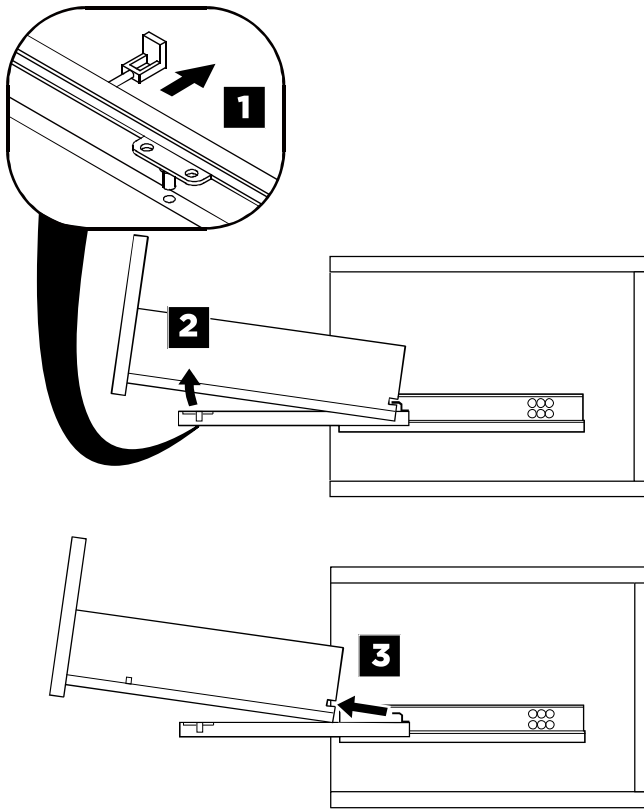


- 5** Hang up the mirror

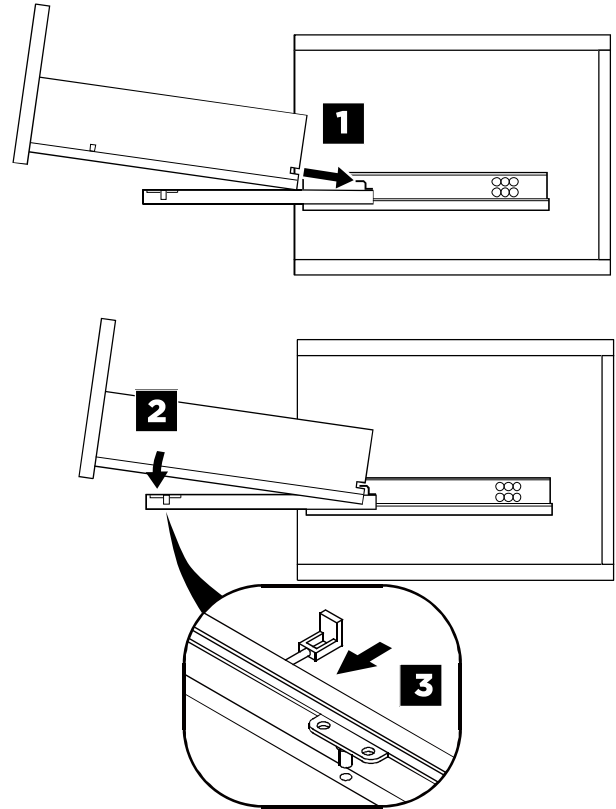


DRAWER REMOVAL & INSTALLATION

REMOVAL



INSTALLATION

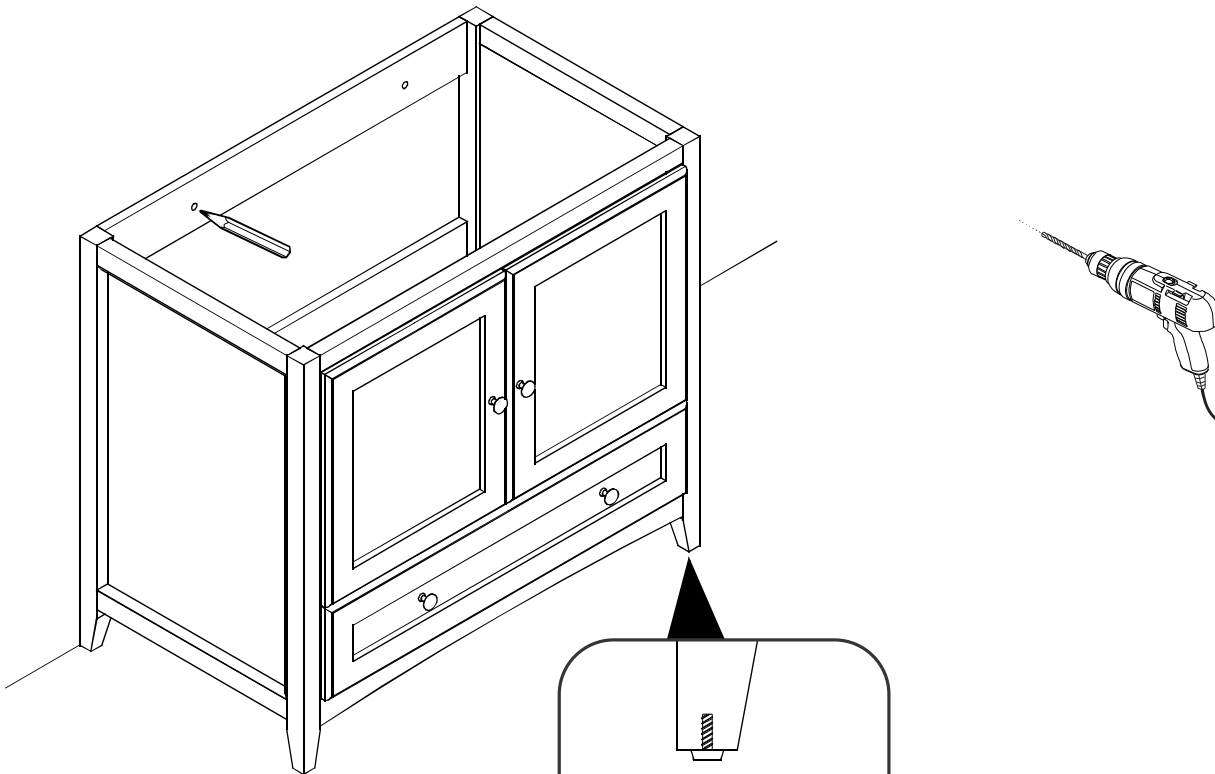


1

Level the cabinet and mark the installation position

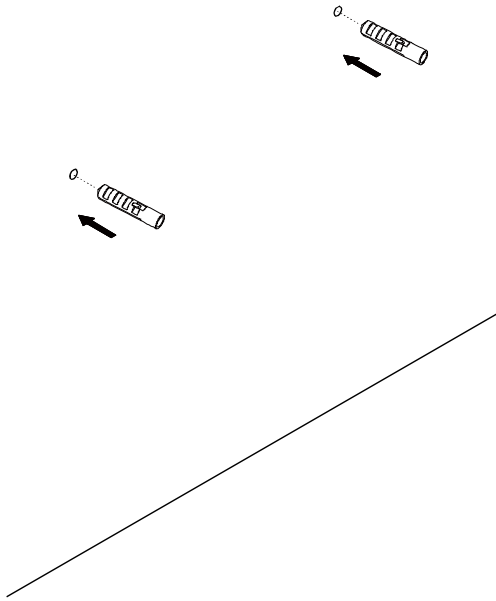
2

Drill the installing holes



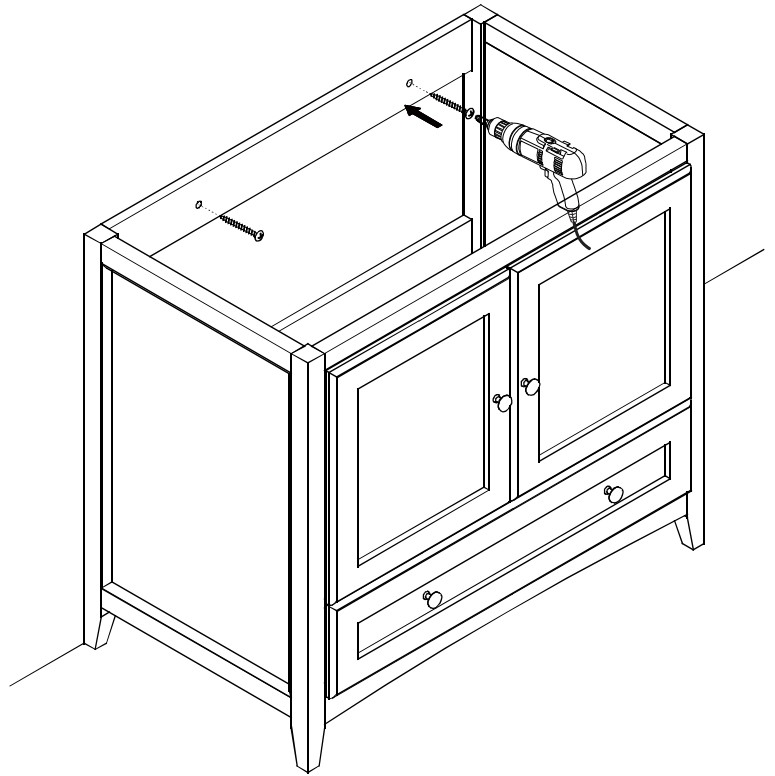
OPTIONAL STEP

3 Insert the expansible plastic plugs

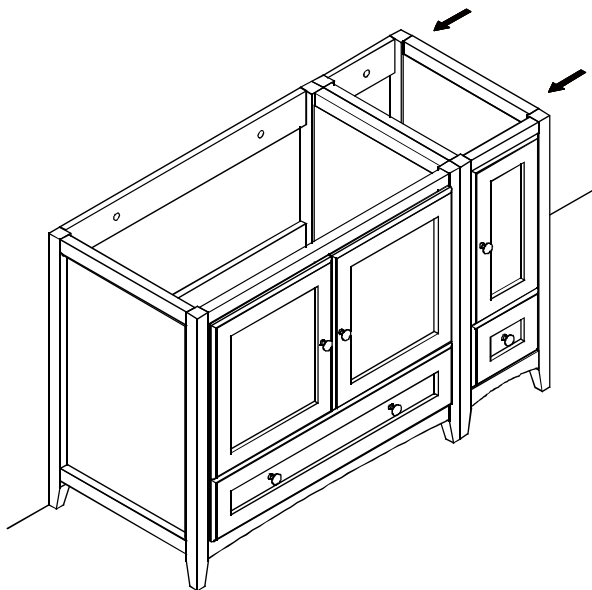


4 Install cabinet

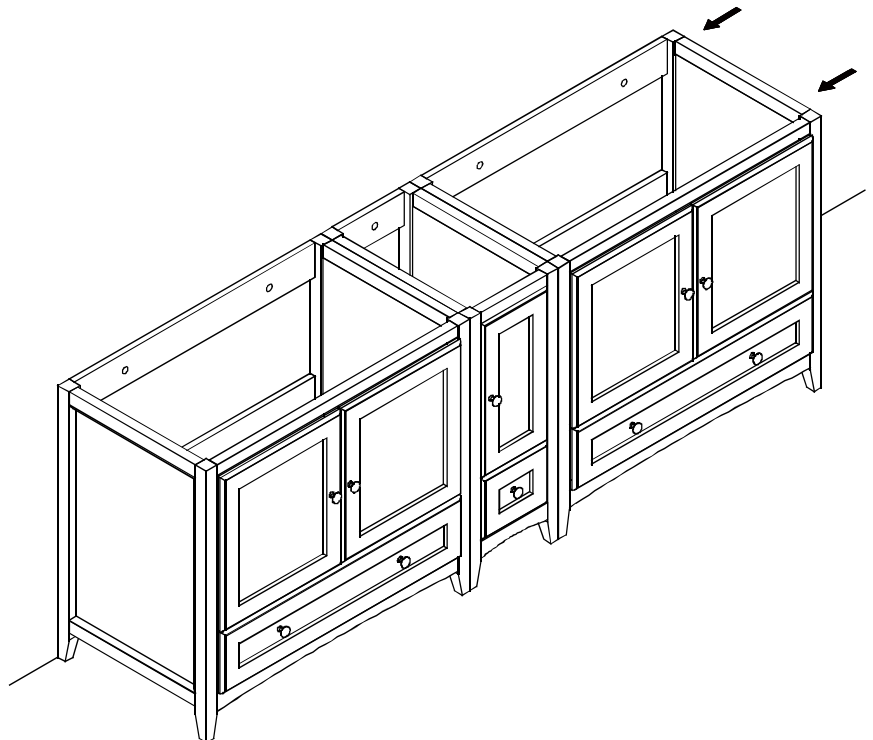
IMPORTANT: Consult an expert for the proper screws/bolts to use when attaching to various wall constructions. Screws provided do not attach to all wall construction types.



5 Align and level the side cabinet as illustrated shown, then install side cabinet according to master cabinet installation procedure.

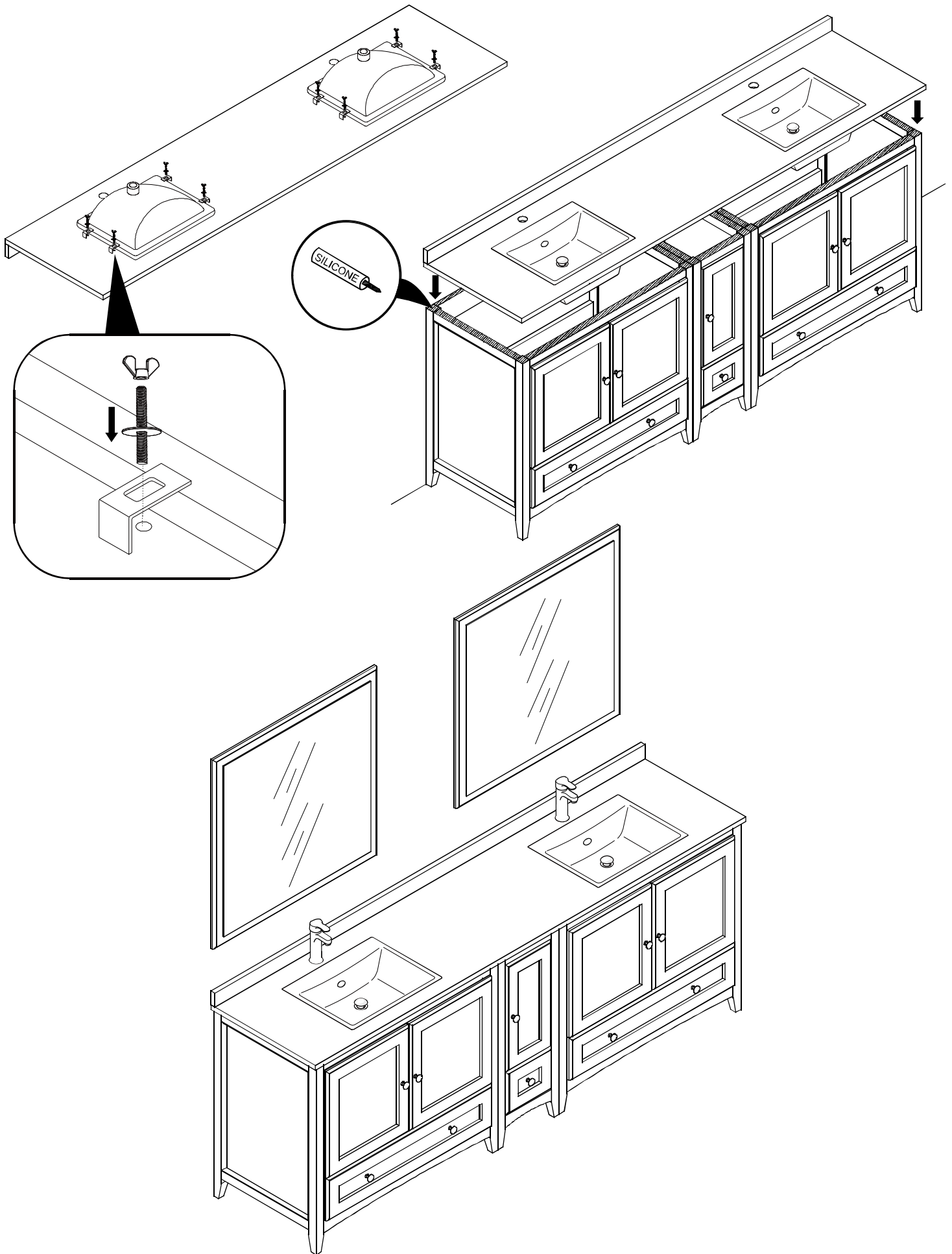


6 Align and level the rest master cabinet as illustrated shown, then repeat the master cabinet installation procedure.



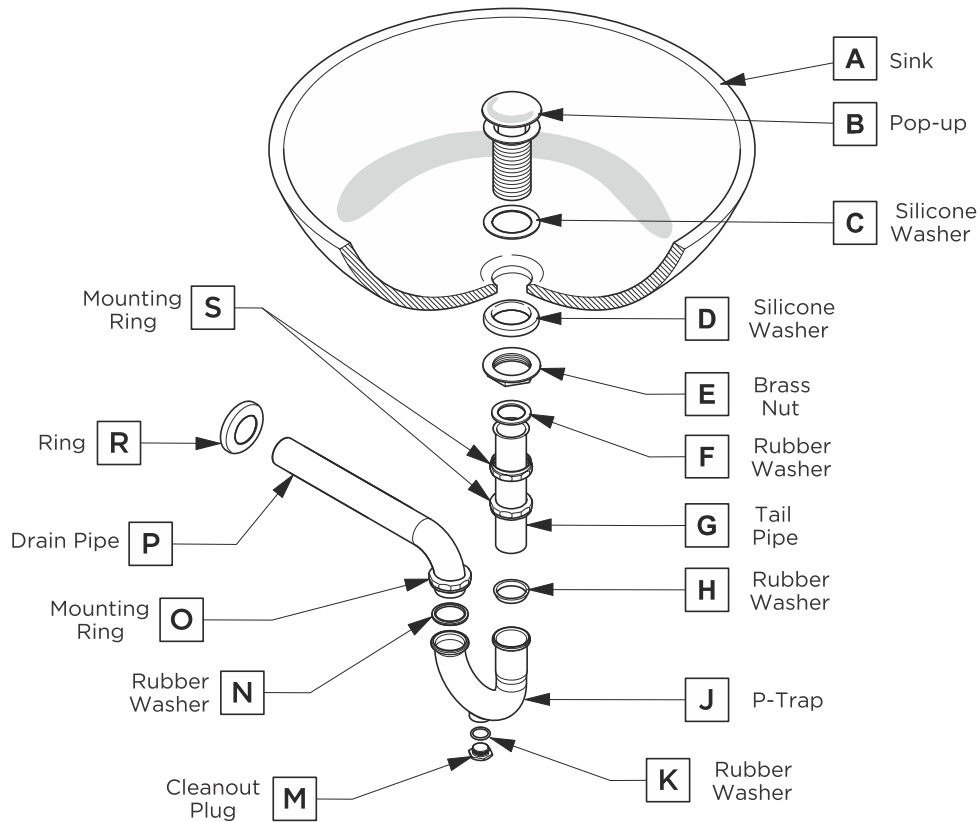
7 Install sink

8 Install counter top



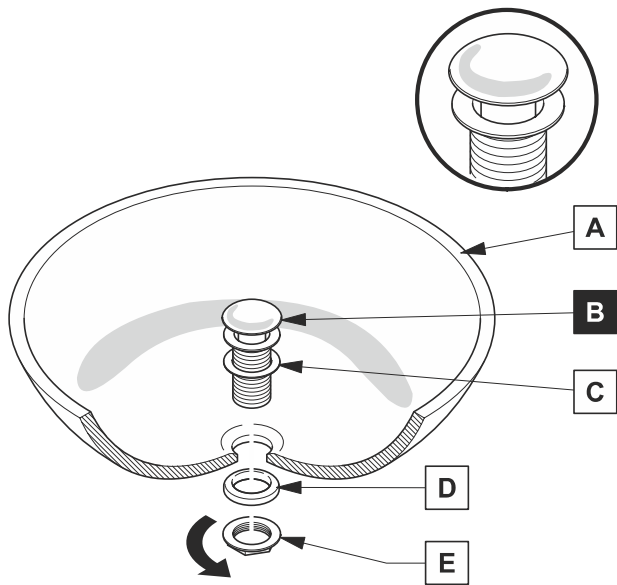
P-TRAP AND POP-UP INSTALLATION INSTRUCTIONS

Your item may appear slightly different from the illustration



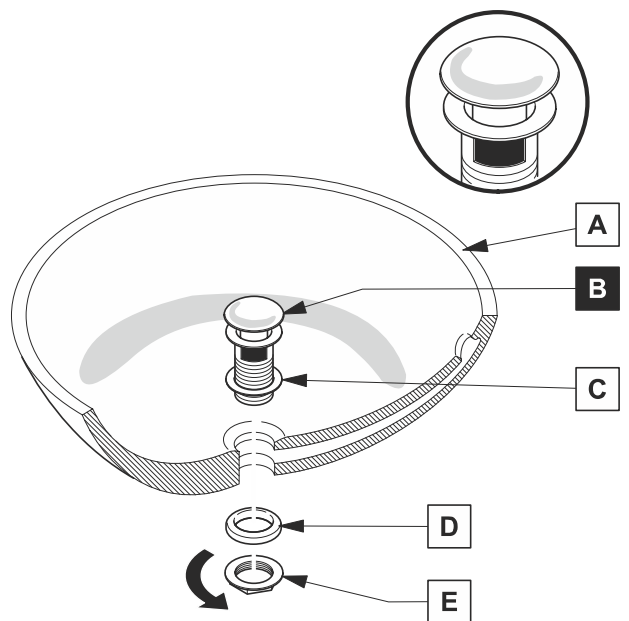
POP-UP INSTALLATION

FOR SINKS WITHOUT OVERFLOW



OR

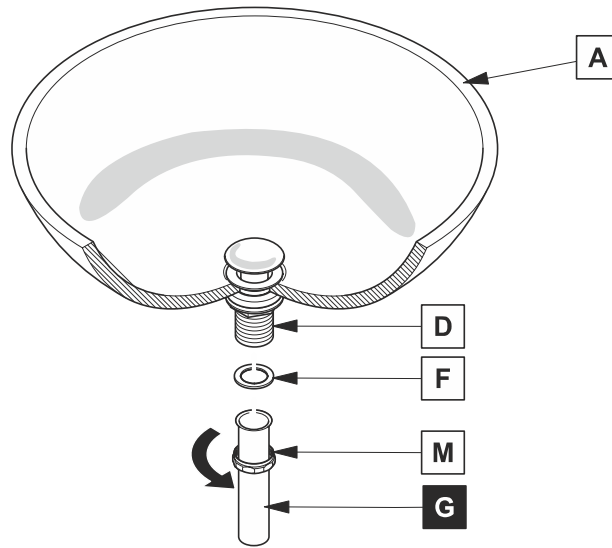
FOR SINKS WITH OVERFLOW



P-TRAP INSTALLATION

1

Install tail pipe (G)



2

Install p-trap (J)

