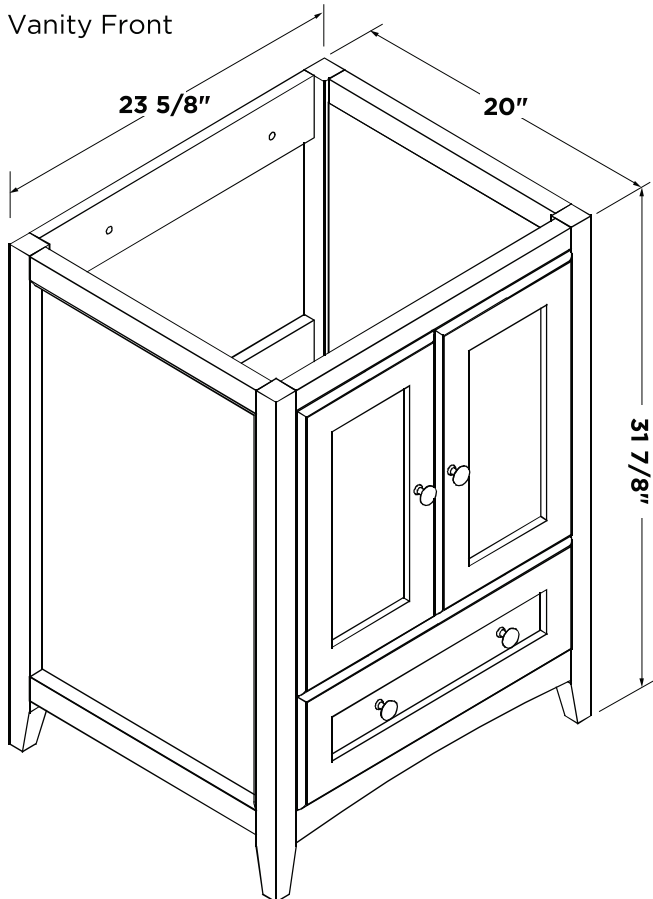
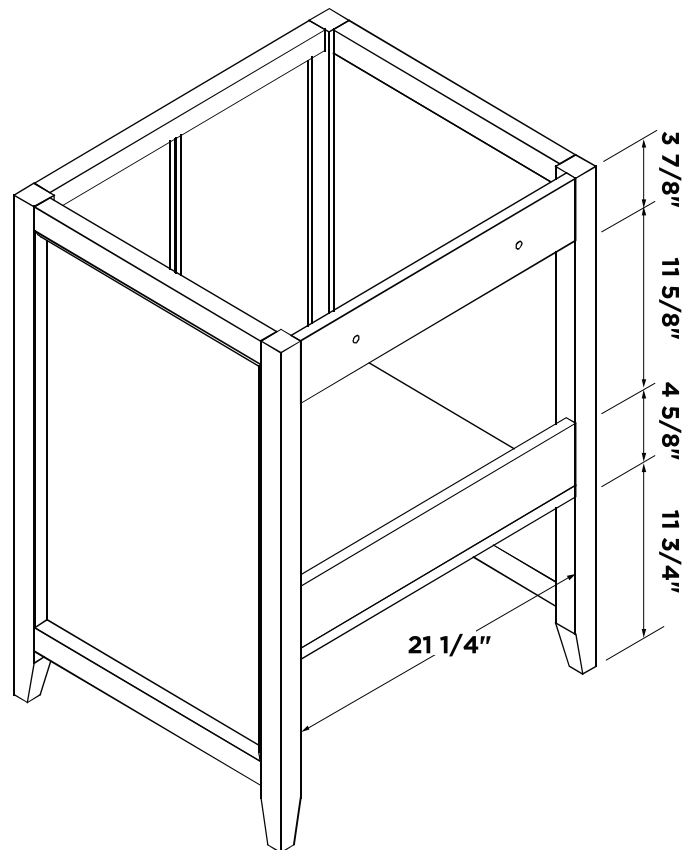


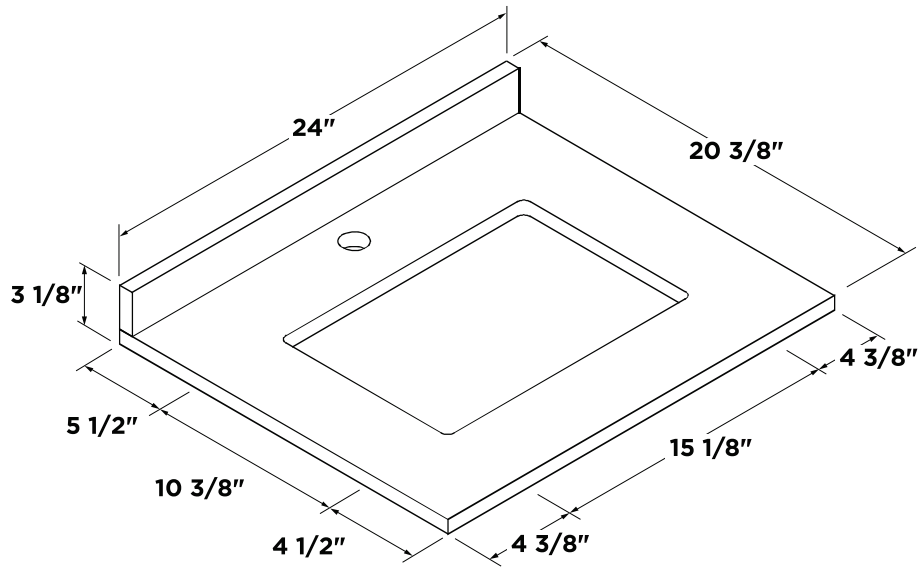
Vanity Front



Vanity Back

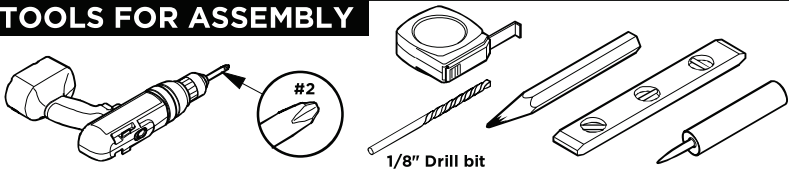


Counter Top



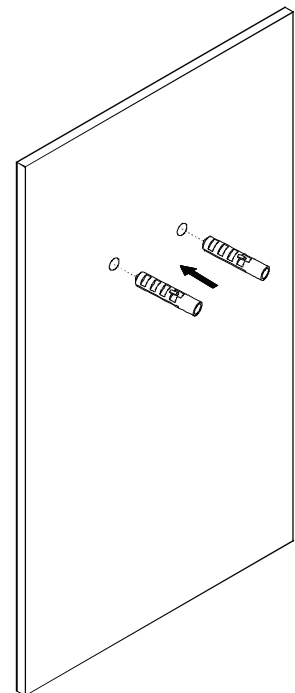
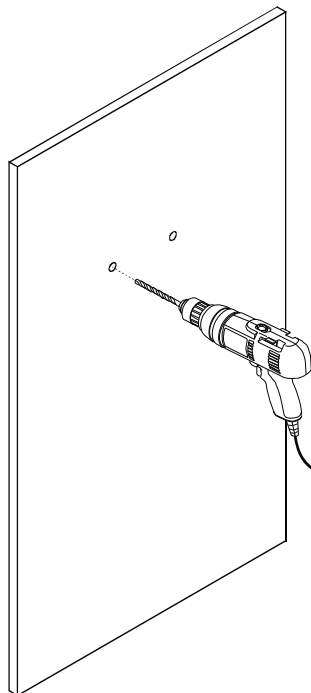
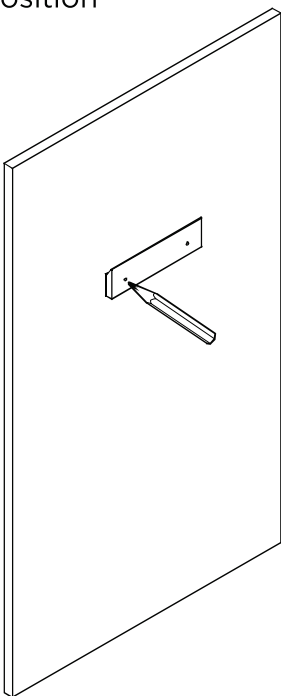
Note: All dimensions and specifications are approximate and subject to change without notice.

### TOOLS FOR ASSEMBLY



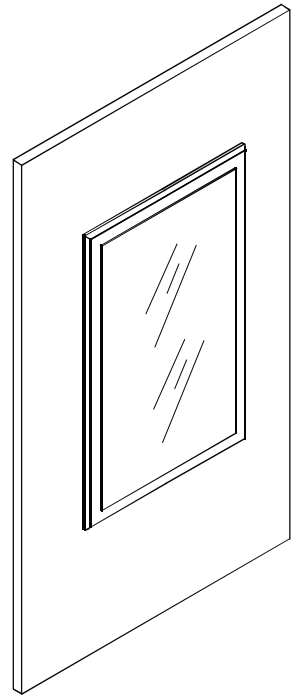
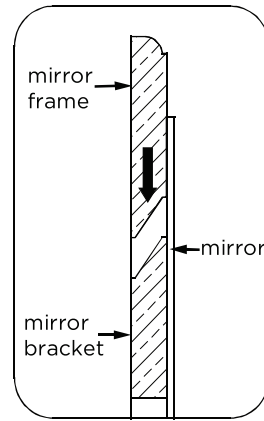
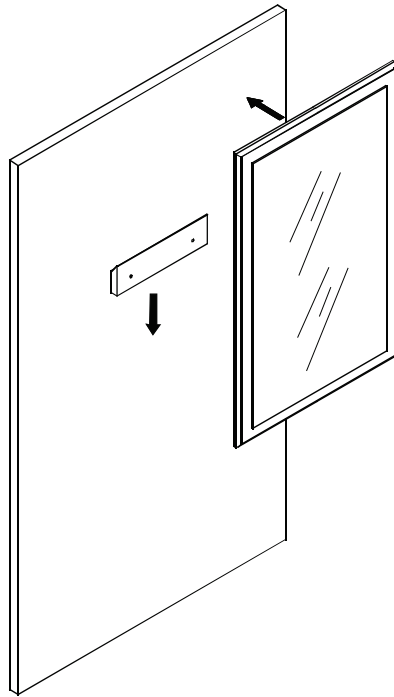
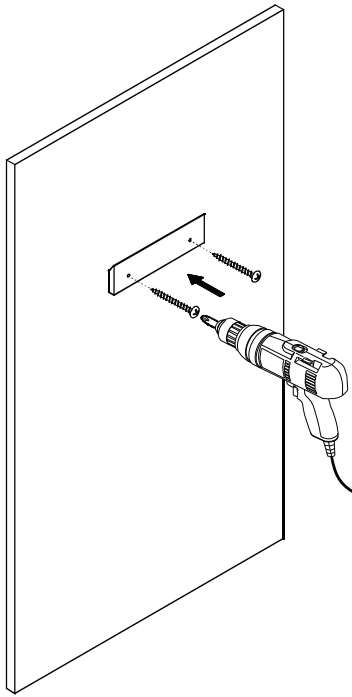
### MIRROR INSTALLATION

- 1 Level the mirror bracket and then mark the installation position
- 2 Drill the installation holes
- 3 Insert the plastic plug



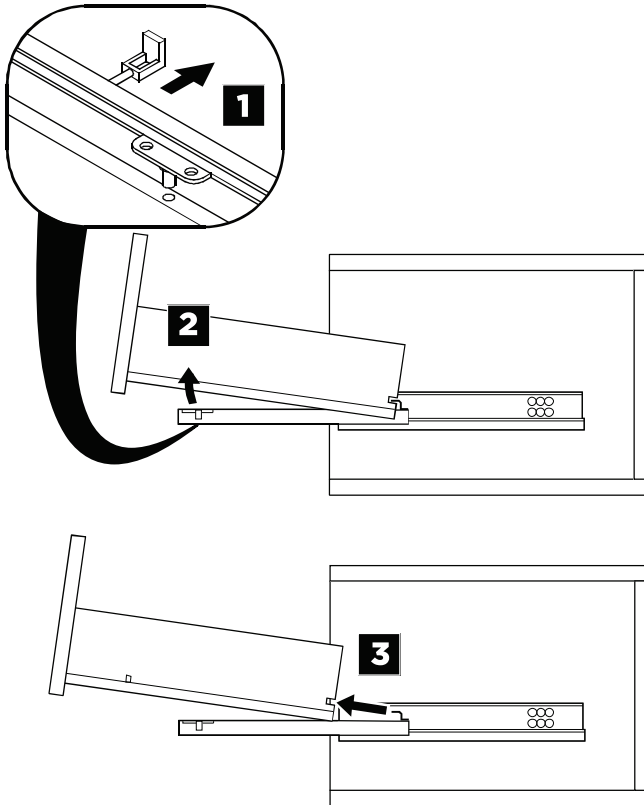
**4** Fix the mirror bracket

**5** Hang up the mirror

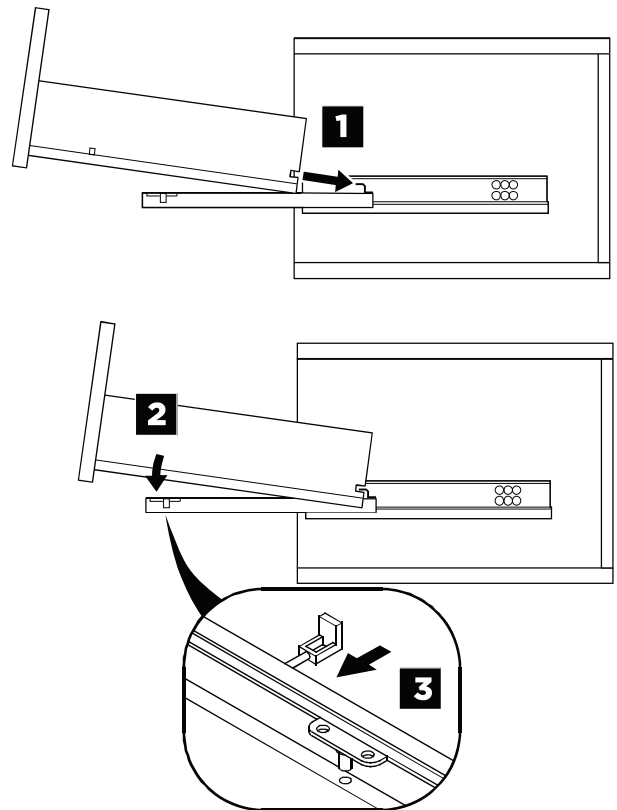


## DRAWER REMOVAL & INSTALLATION

### REMOVAL

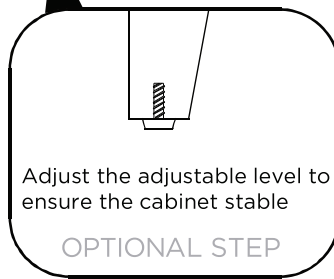
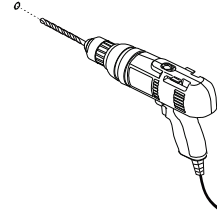
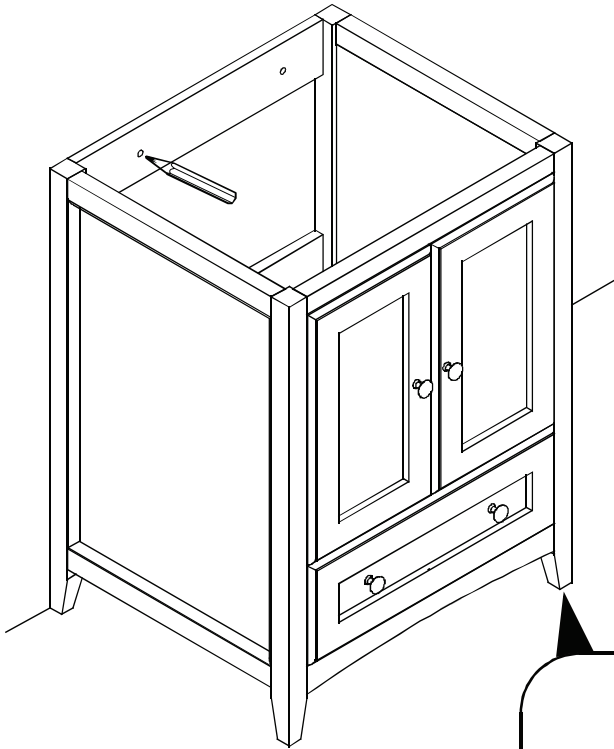


### INSTALLATION



**1** Level the cabinet and mark the installation position

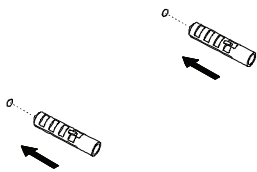
**2** Drill the installing holes



Adjust the adjustable level to ensure the cabinet stable

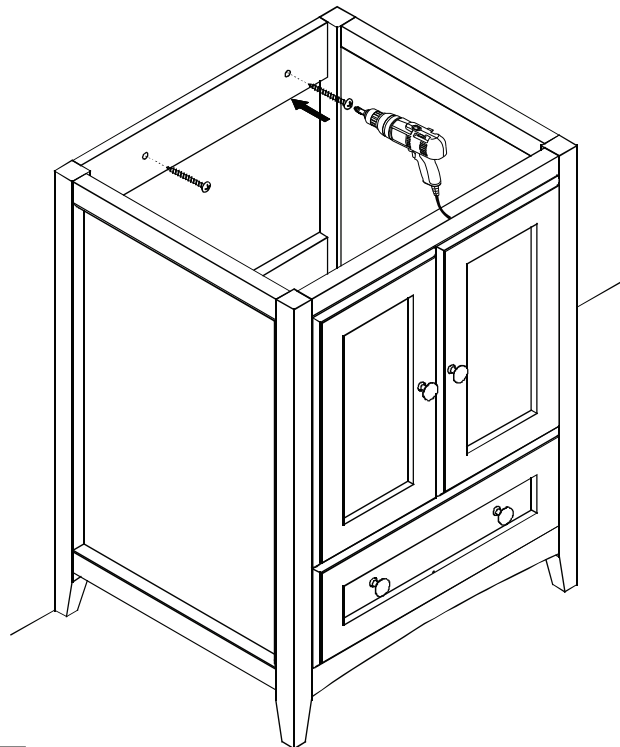
OPTIONAL STEP

**3** Insert the expansible plastic plugs

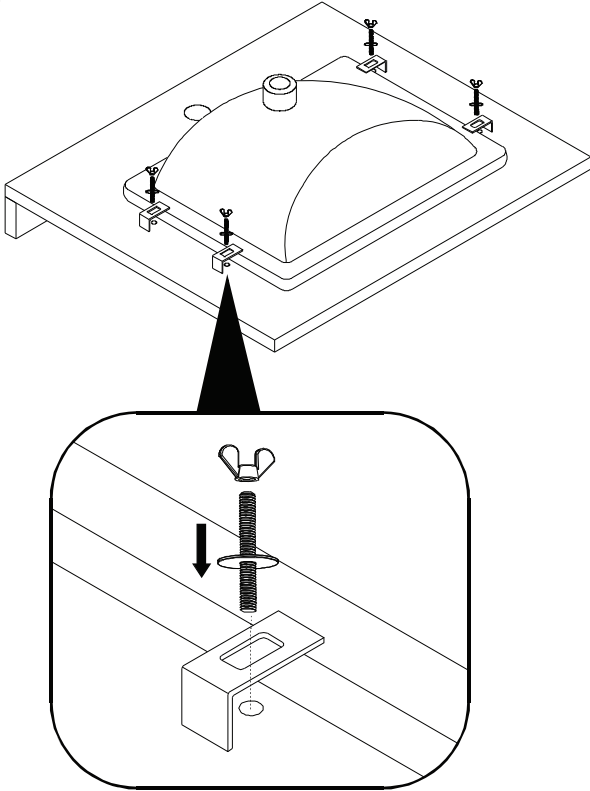


**4** Install cabinet

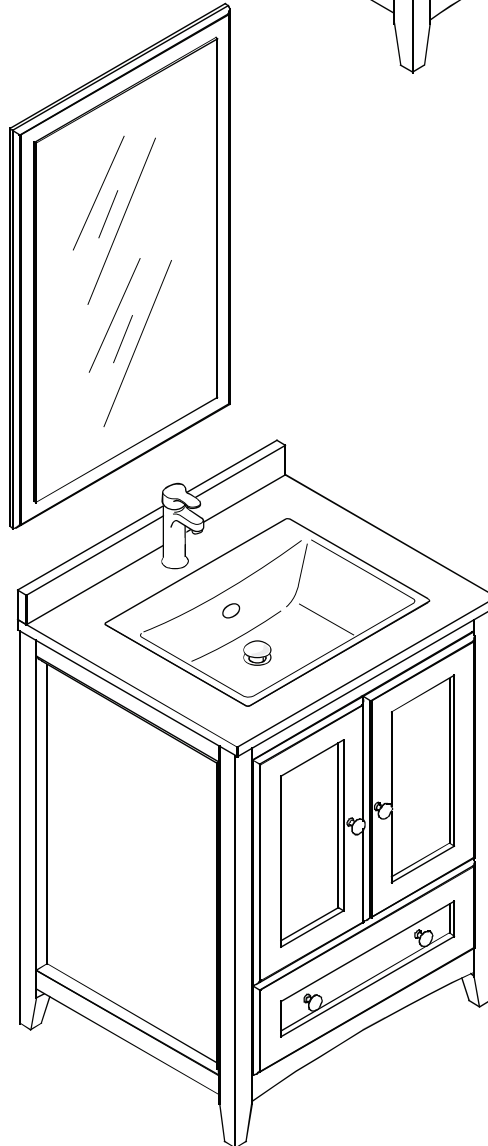
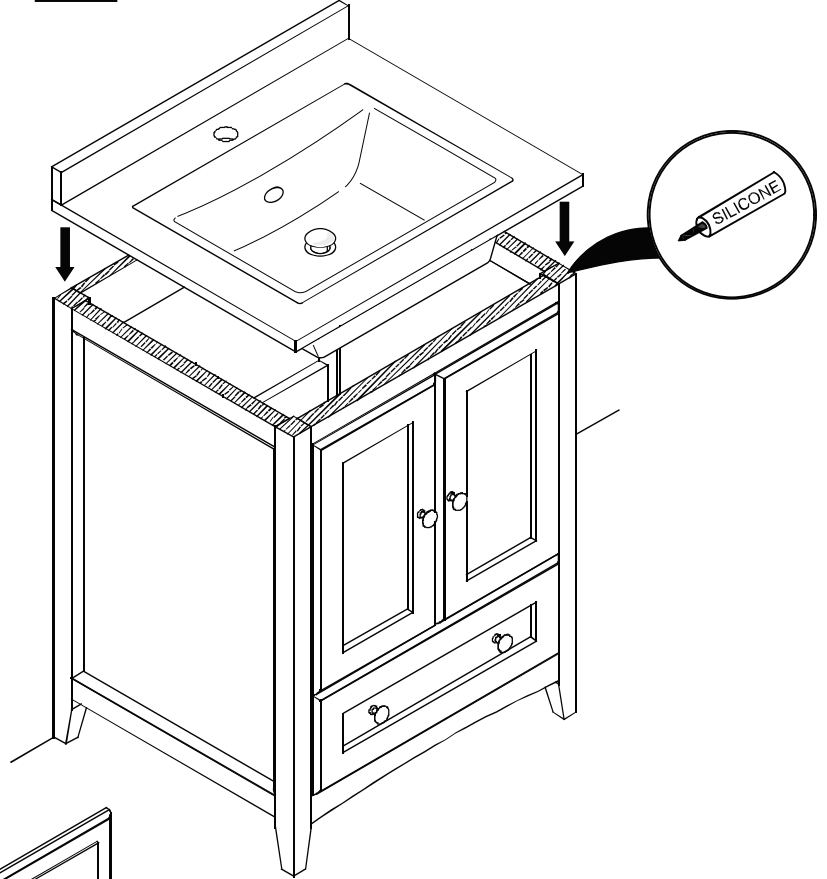
**IMPORTANT:** Consult an expert for the proper screws/bolts to use when attaching to various wall constructions. Screws provided do not attach to all wall construction types.



**5** Install sink

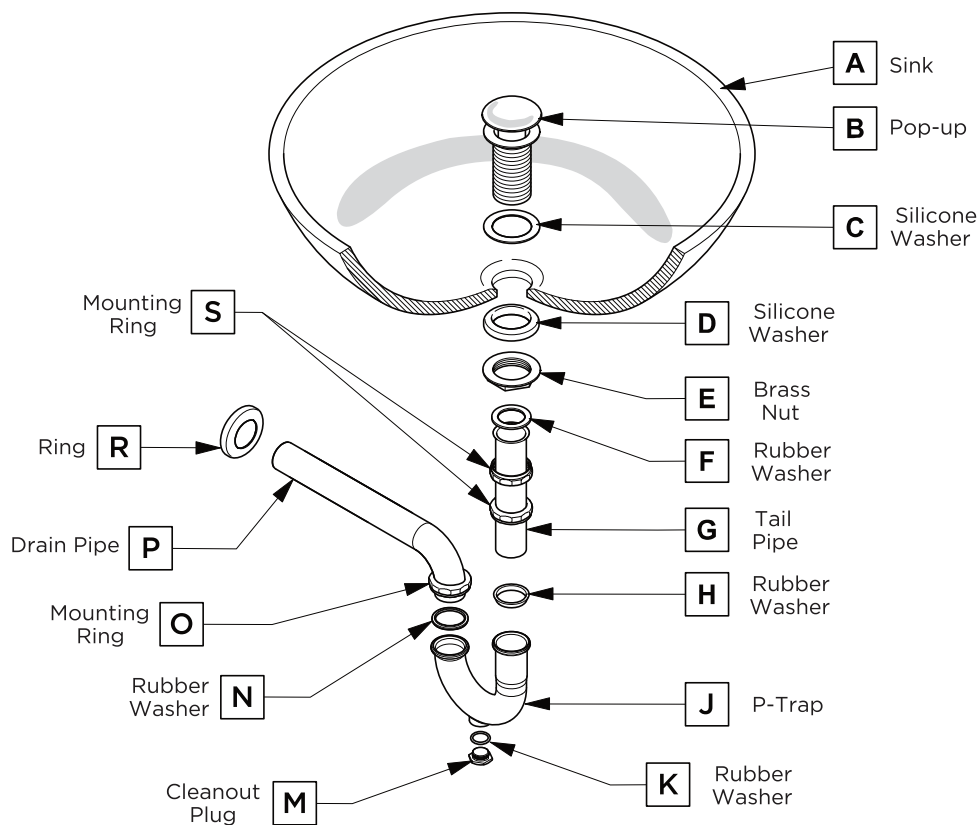


**6** Install counter top



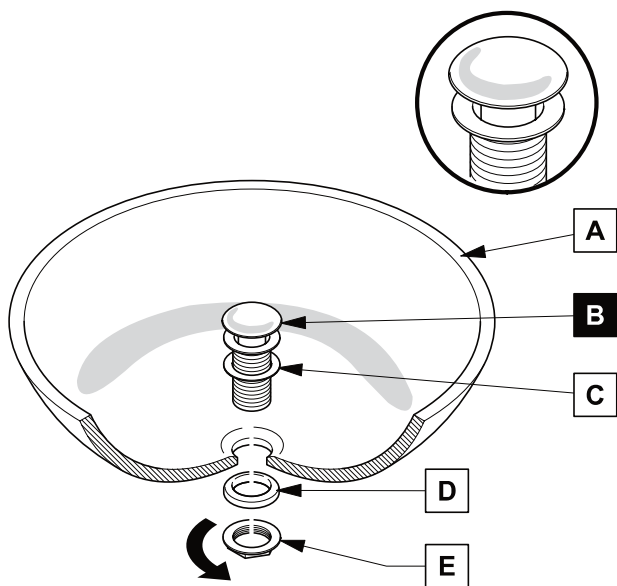
## P-TRAP AND POP-UP INSTALLATION INSTRUCTIONS

Your item may appear slightly different from the illustration



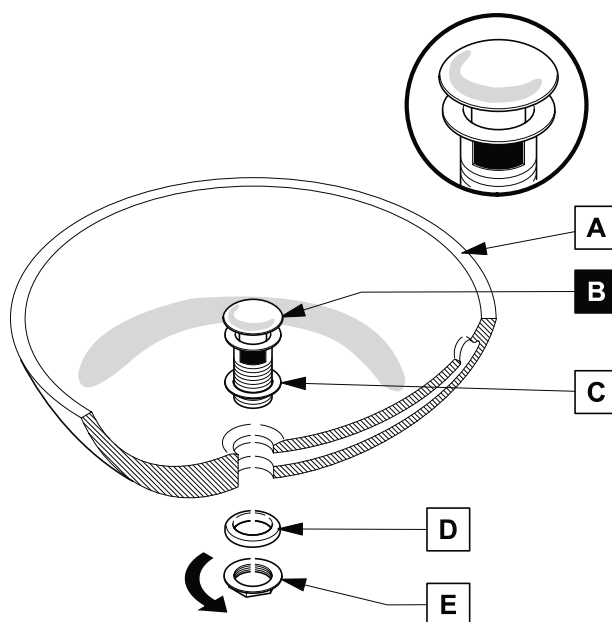
### POP-UP INSTALLATION

#### FOR SINKS WITHOUT OVERFLOW



OR

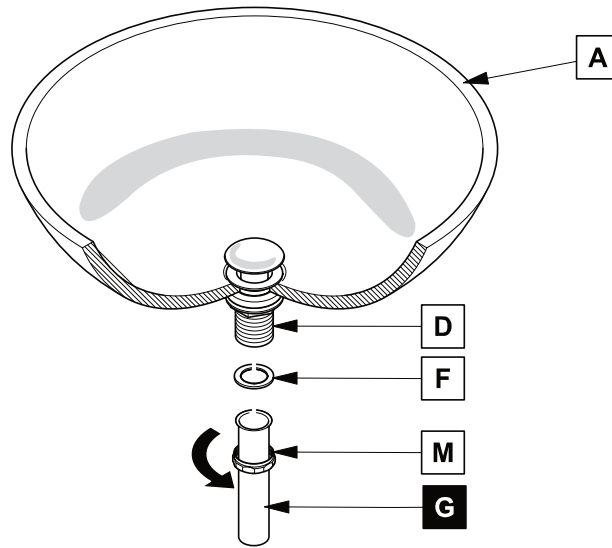
#### FOR SINKS WITH OVERFLOW



# P-TRAP INSTALLATION

**1**

Install tail pipe (G)



**2**

Install p-trap (J)

