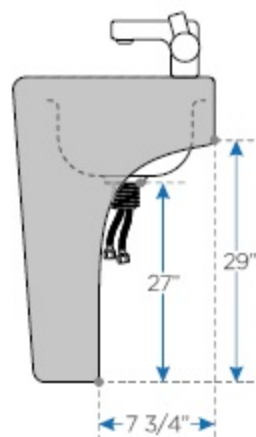
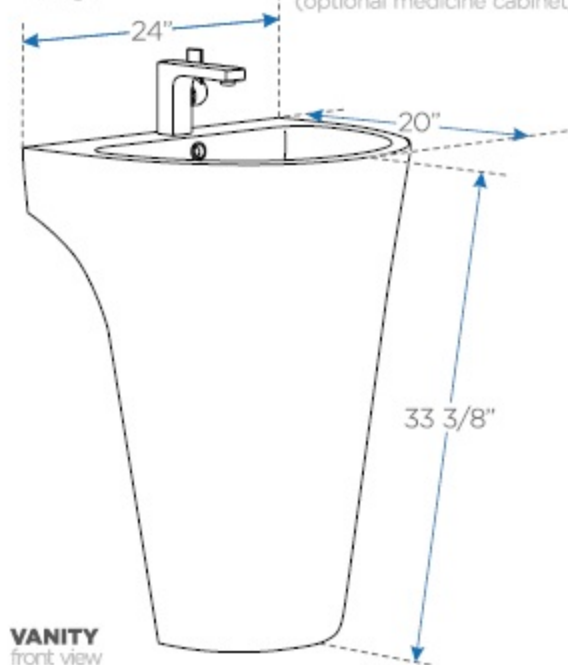
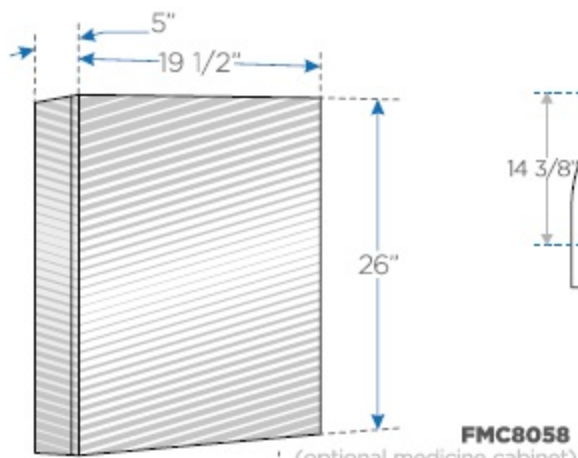


PARMA PEDESTAL SINK

FVN5023

Modern Bathroom Vanity w/ Medicine Cabinet

LUCIDO



BOX DIMENSIONS: L23" W35 1/2" H27 1/2" GW.75LB

(*without medicine cabinet)



FRESCA®

All dimensions and specifications are approximate and subject to change without notice.

PH: (800) 514-2143

FAX: (718) 228-8908

WWW.FRESCABATH.COM