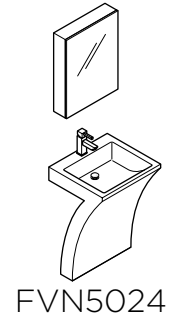
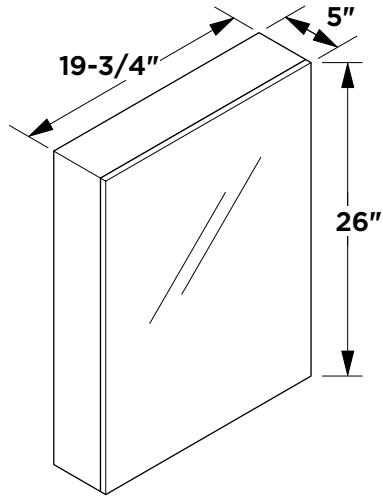


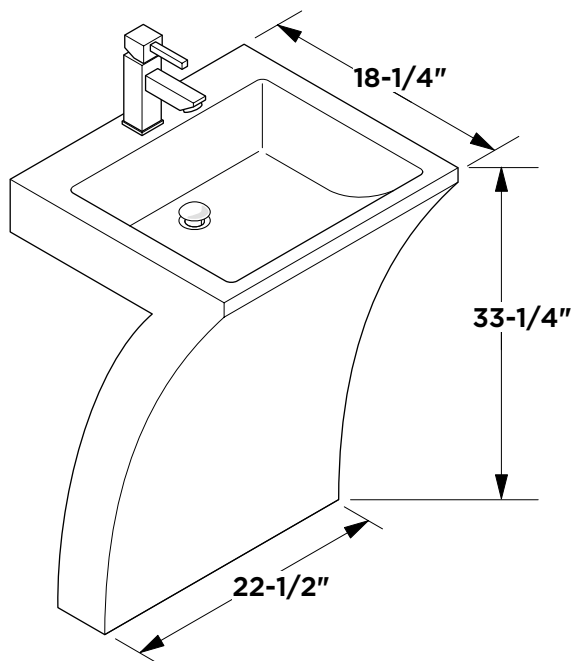


FVN5024  
QUADRO  
INSTALLATION GUIDE

Medicine Cabinet  
(Optional)



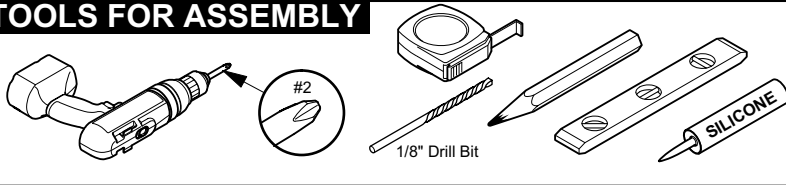
Vanity Front



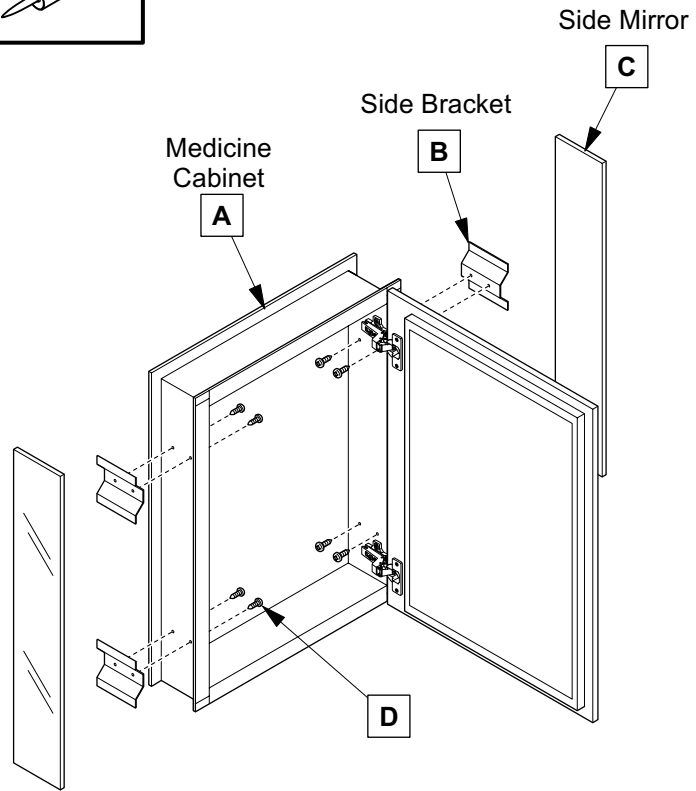
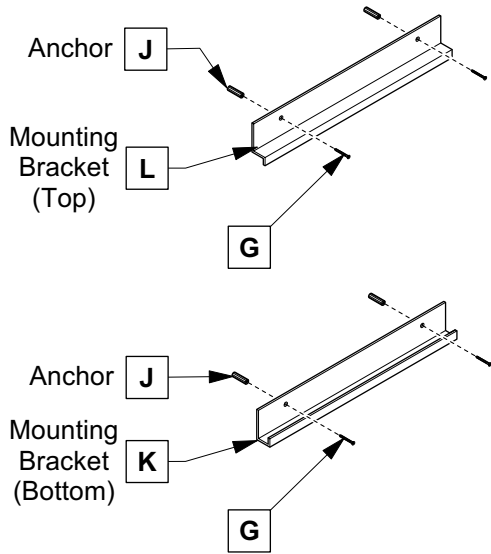
Vanity Back



**TOOLS FOR ASSEMBLY**

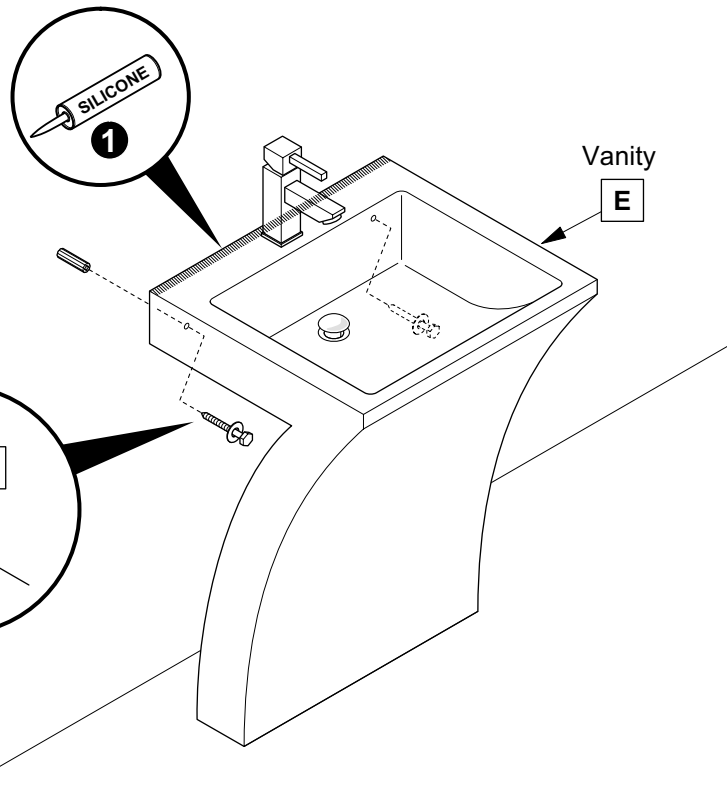


**PARTS**



**1** Install vanity (E)

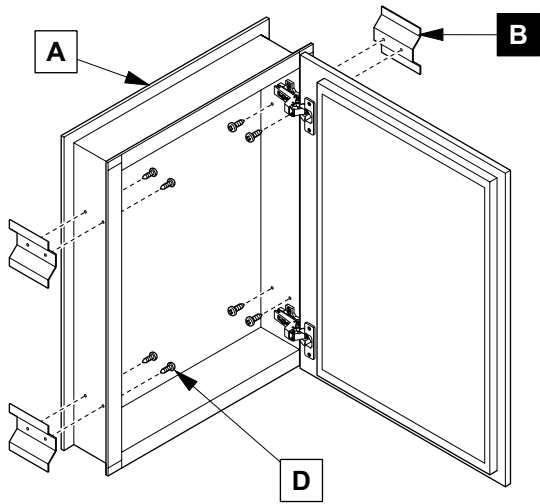
**IMPORTANT:** Consult an expert for the proper screws/bolts to use when attaching to various wall constructions. Screws provided do not attach to all wall construction types.



**NOTE:** Only use anchors (J) if stud (2"x4" frame) is not available.

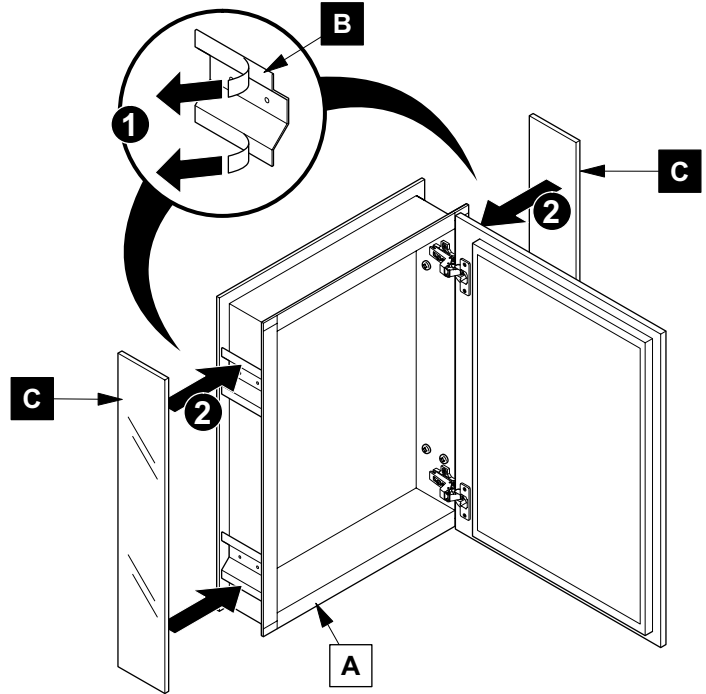
# MEDICINE CABINET INSTALLATION

## 1 Install side brackets (B)

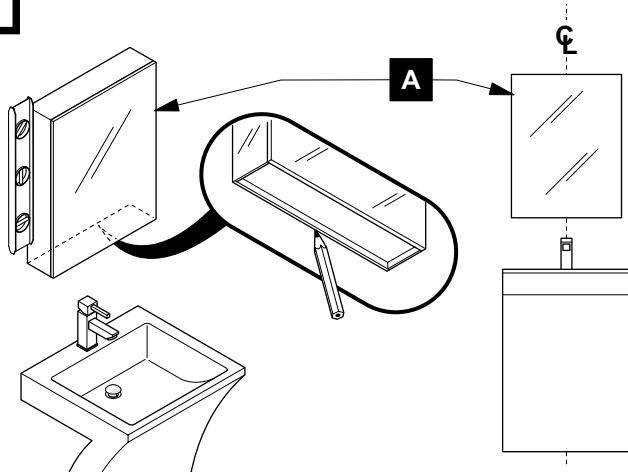


## 2

## Install side mirrors (C)

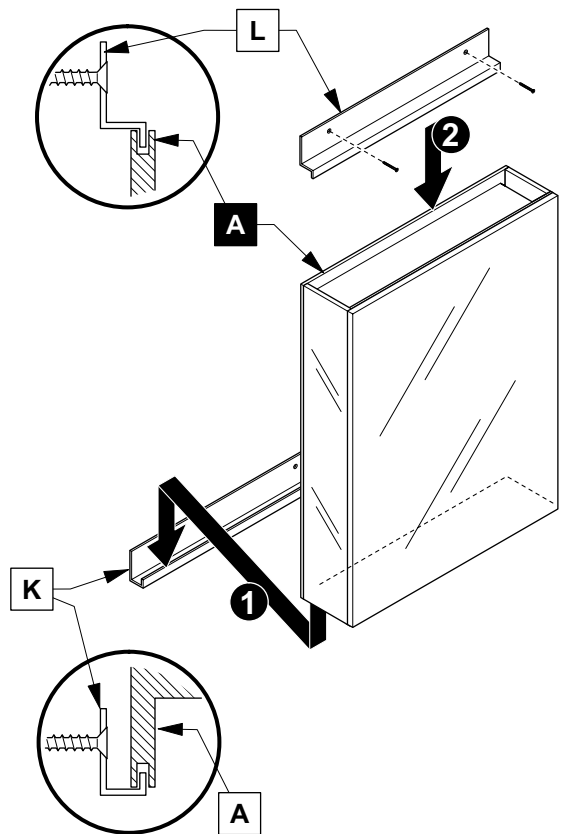
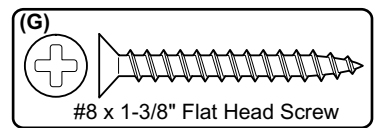


## 3 Mark cabinet (A) location



## 5

## Install cabinet (A)



## 4 Install bottom bracket (K)

**IMPORTANT:** Consult an expert for the proper screws/bolts to use when attaching to various wall constructions. Screws provided **do not** attach to all wall construction types.

