



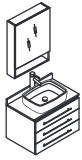
STELLA

INSTALLATION GUIDE

FVN6183

CONTENTS:

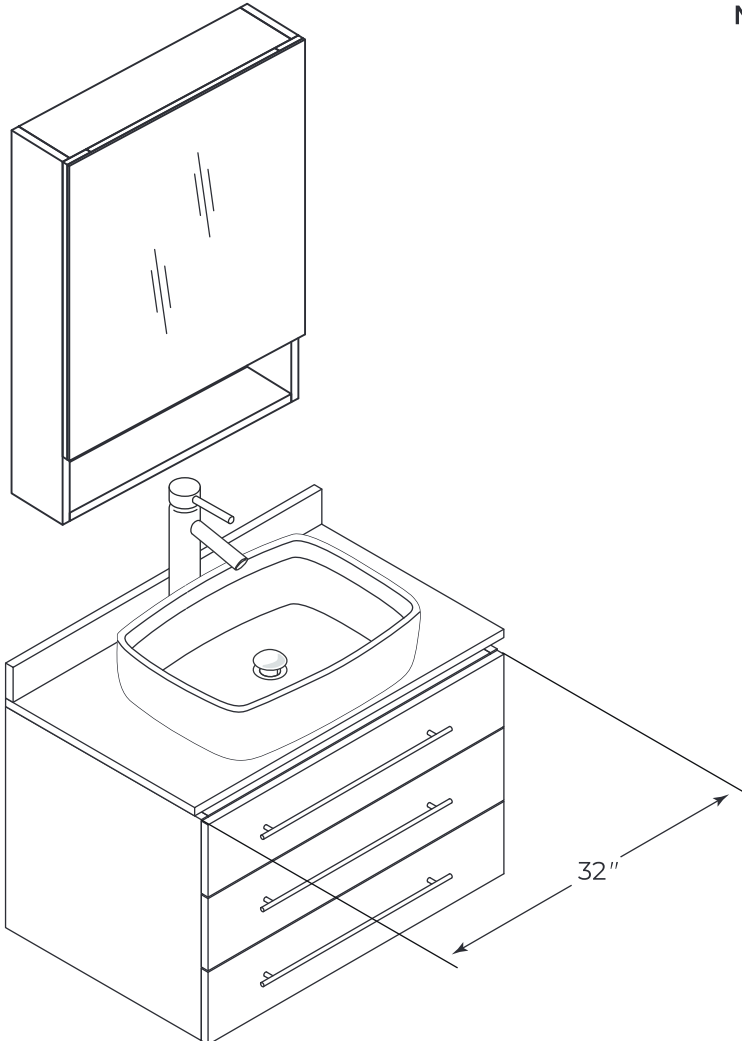
Mirror	FMR6124	PAGE 2
Cabinet	FCB6183	PAGE 3
Sink	FCT6183	PAGE 3



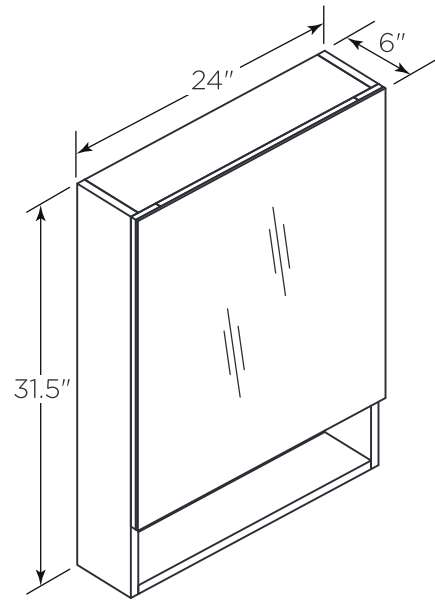
FVN6183 STELLA INSTALLATION GUIDE



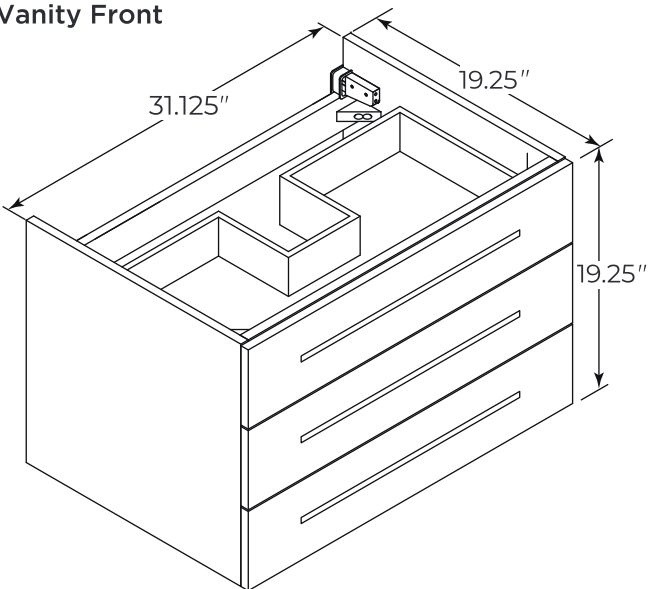
FVN6183



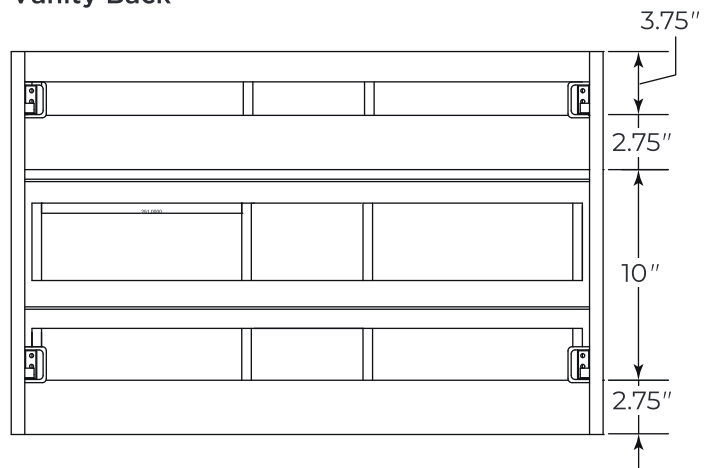
FMR6124
Medicine Cabinet



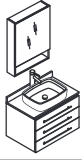
FCB6183-VSL
Vanity Front



FCB6183
Vanity Back



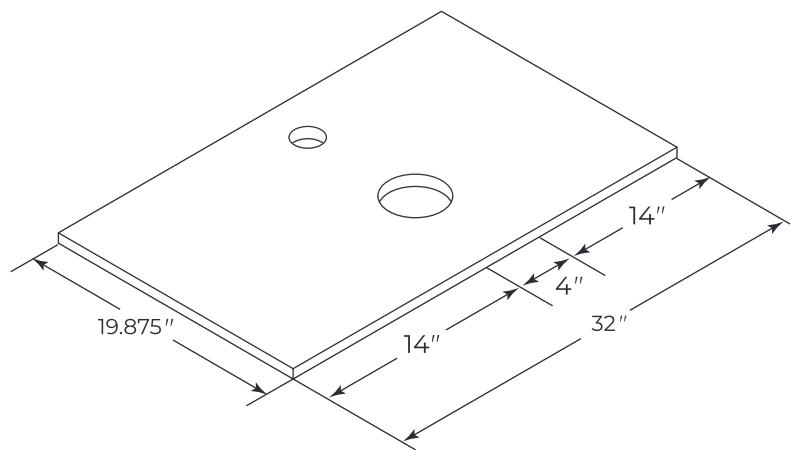
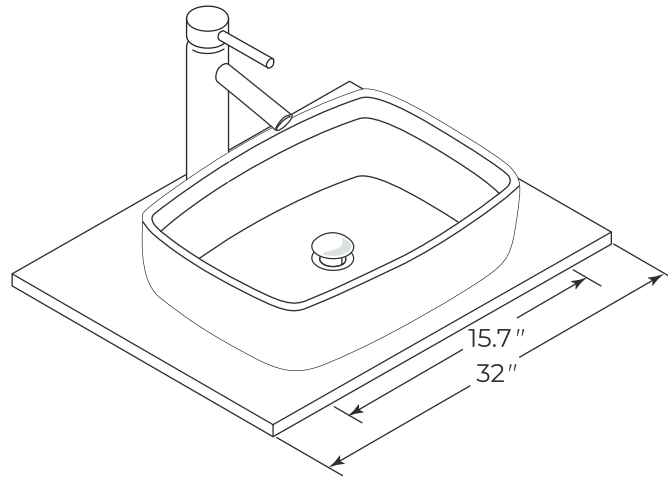
NOTE: All dimensions & specifications are approximate and subject to change without notice.



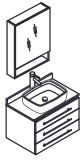
FVN6183 STELLA INSTALLATION GUIDE



FCT6183 Counter Top Front



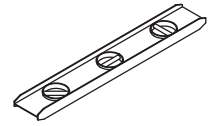
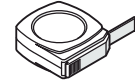
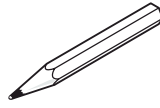
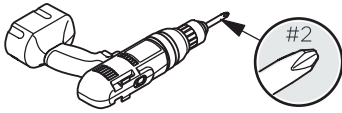
NOTE: All dimensions & specifications are approximate and subject to change without notice.



FVN6183 STELLA INSTALLATION GUIDE

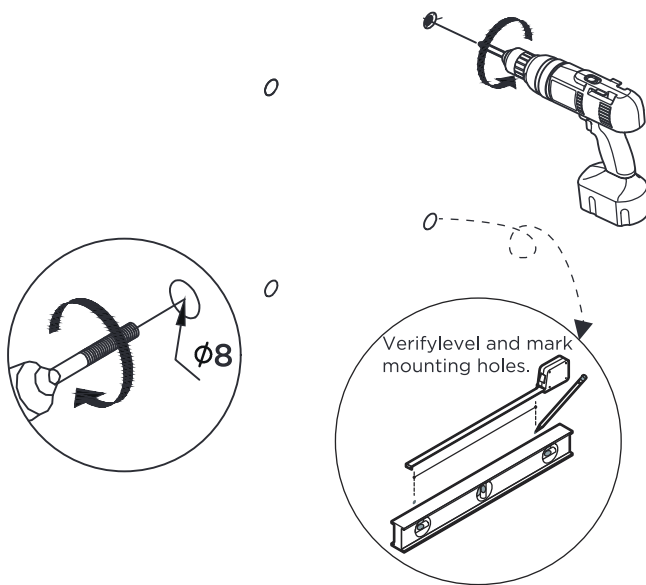


TOOLS FOR ASSEMBLY

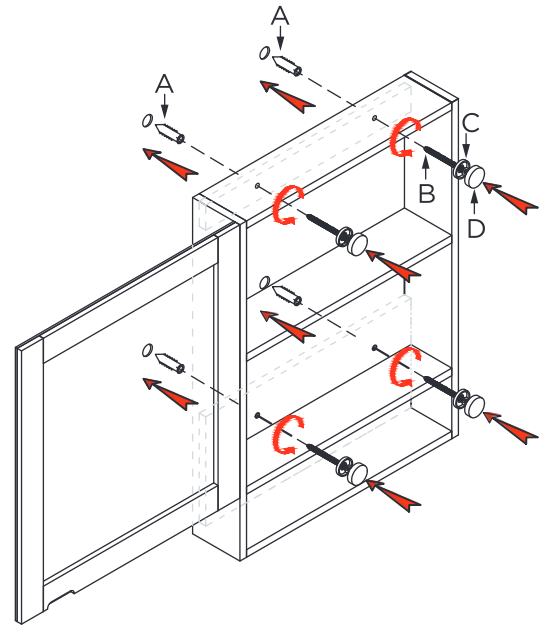


MEDICINE CABINET INSTALLATION

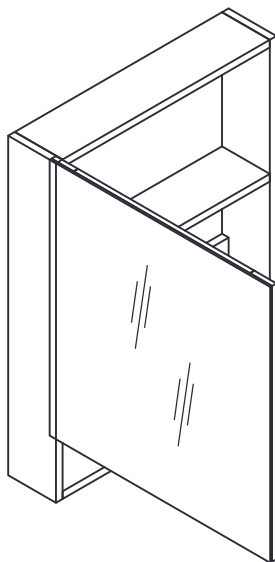
1 Measure distance between the holes and mark it on the wall using a level.



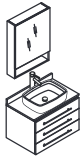
2 Press the anchors into the holes.



3 Hang mirror on the screws.

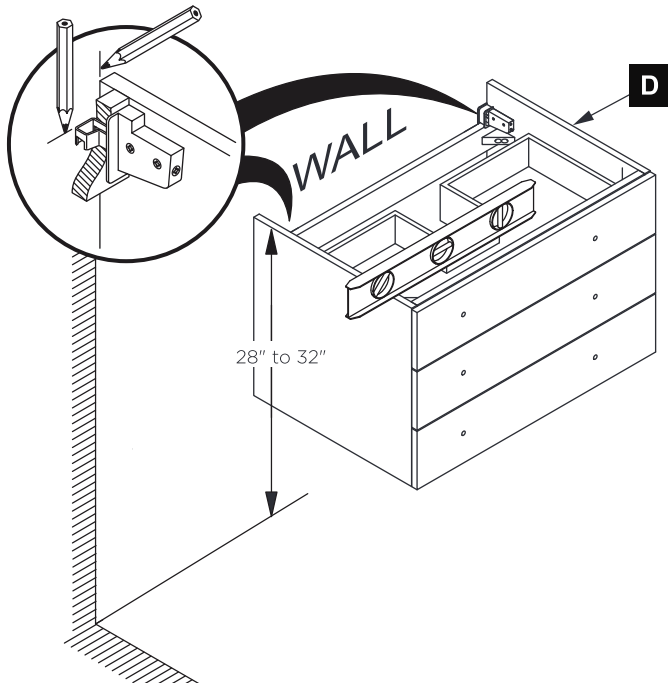


IMPORTANT: Consult an expert for the proper screws/bolts to use when attaching to various constructions. Screws provided do not attach to all wall construction types. Anchors are not required if brackets are installed in stud.

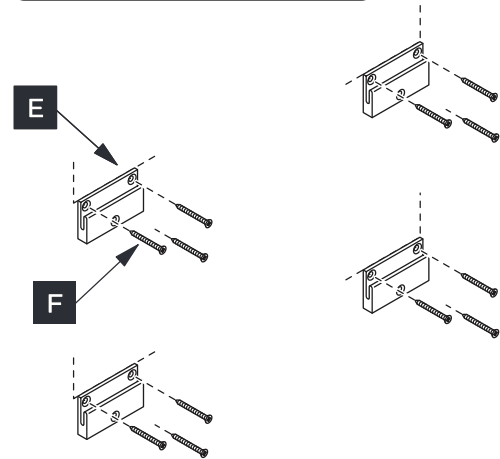
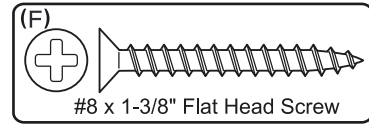


CABINET INSTALLATION

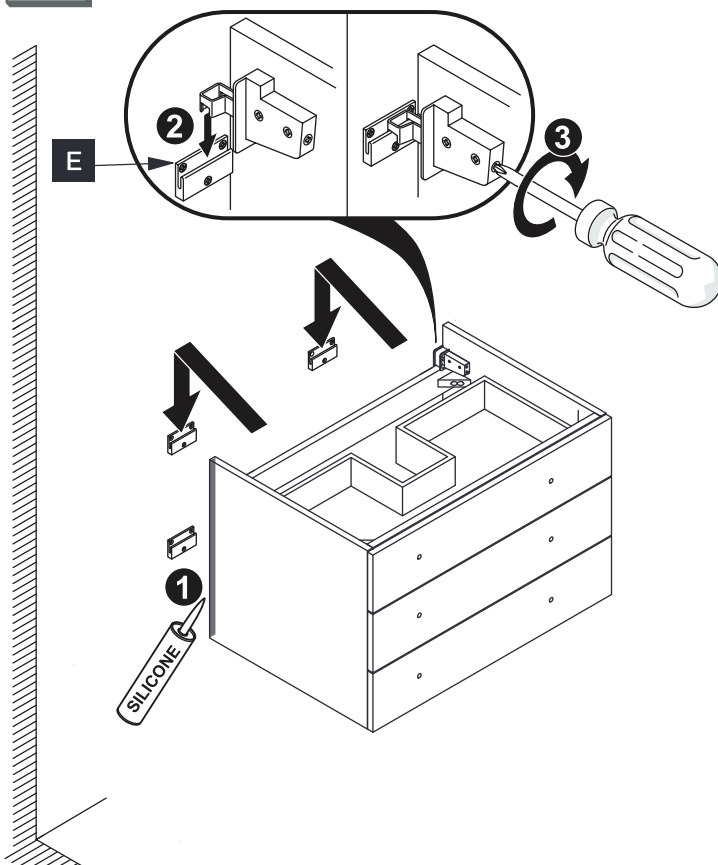
1 Locate cabinet (D) & mark location on the wall



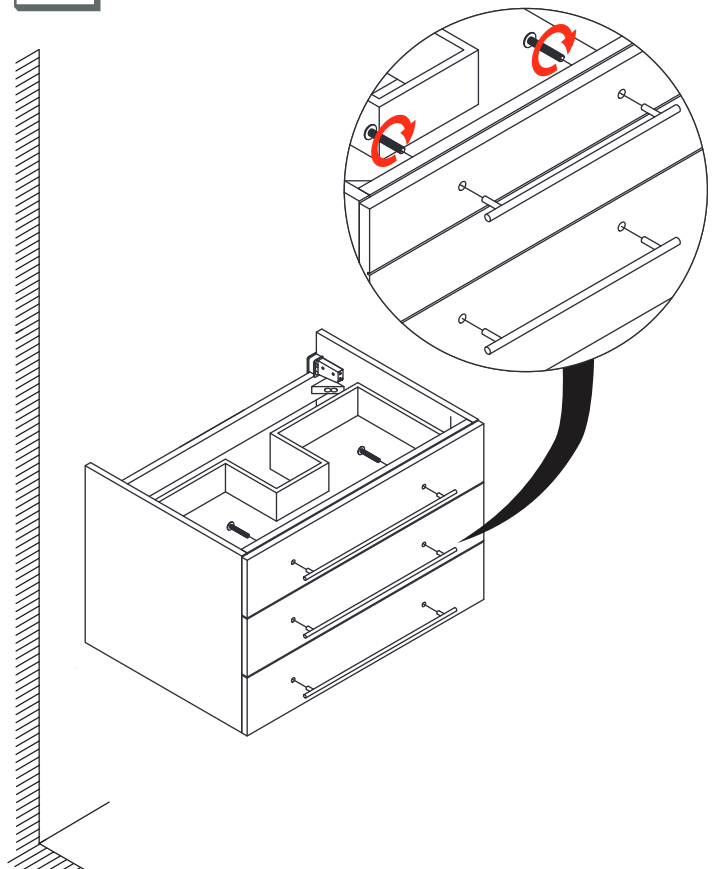
2 Install wall brackets (E)

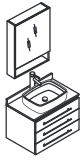


3 install cabinet



4 Install the handle

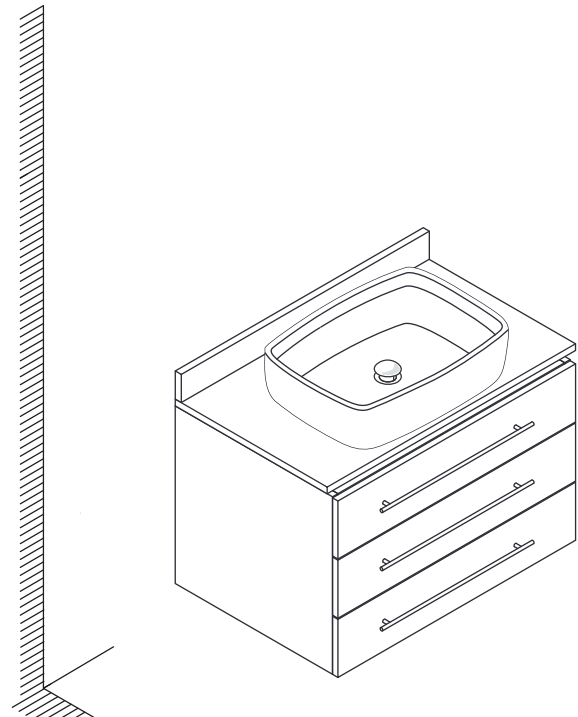
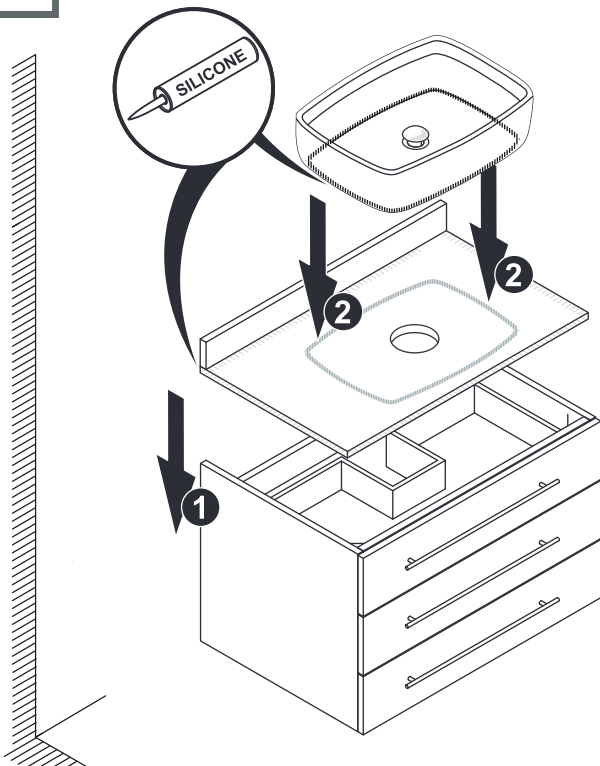




FVN6183 STELLA INSTALLATION GUIDE

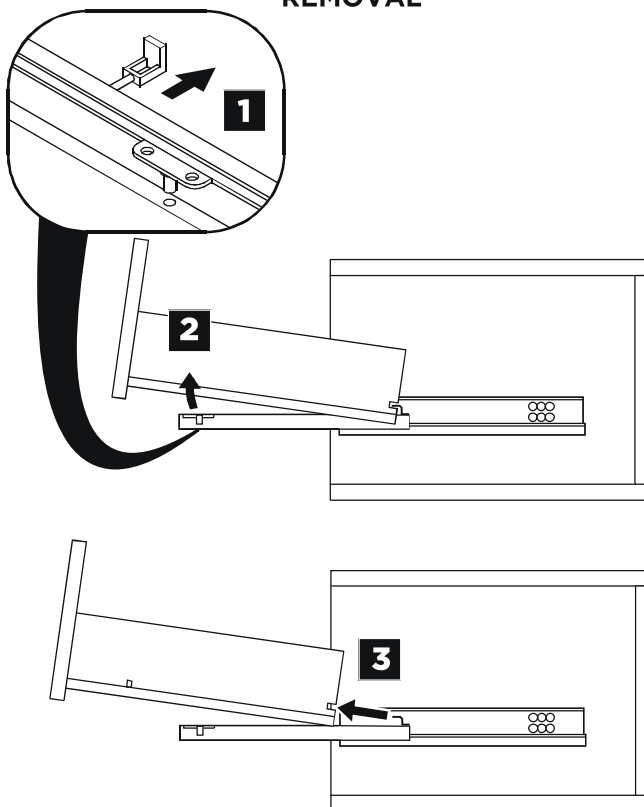


5 Install sink.

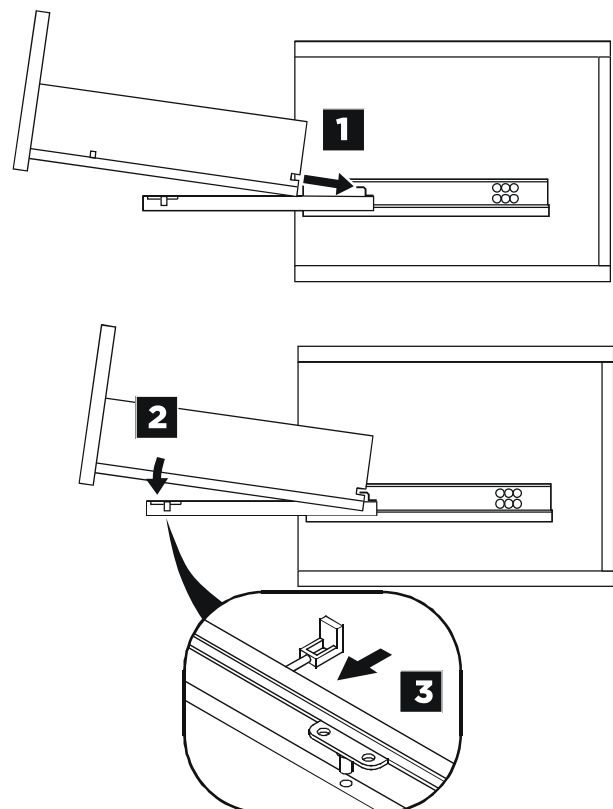


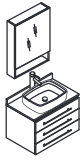
DRAWER REMOVAL & INSTALLATION

REMOVAL



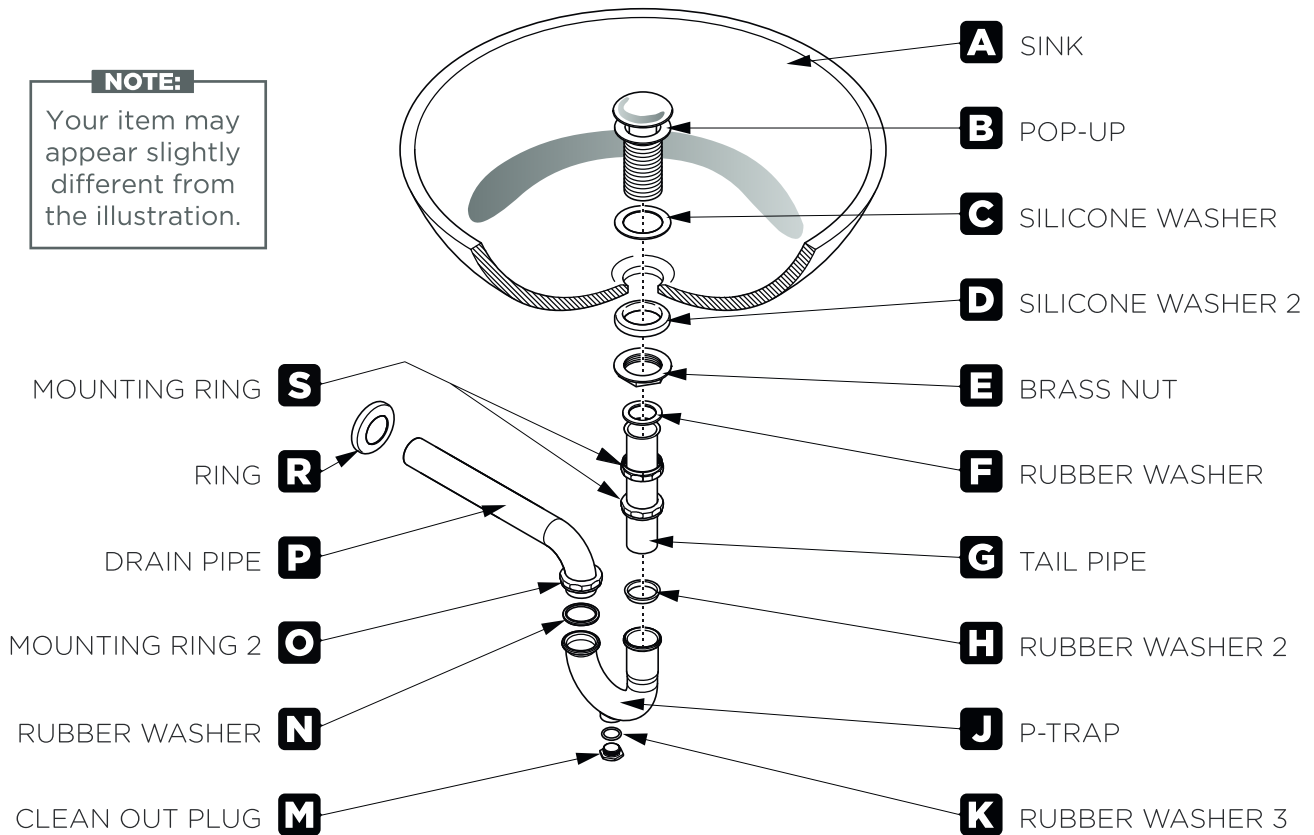
INSTALLATION





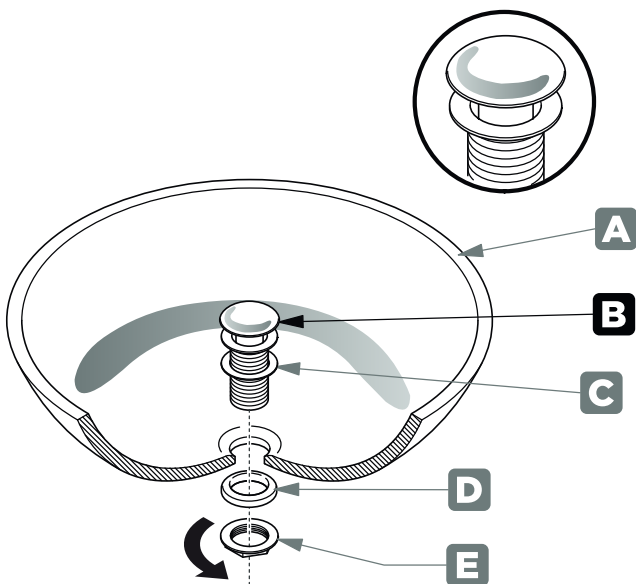
P-TRAP AND POP-UP INSTALLATION INSTRUCTIONS

NOTE:
Your item may appear slightly different from the illustration.



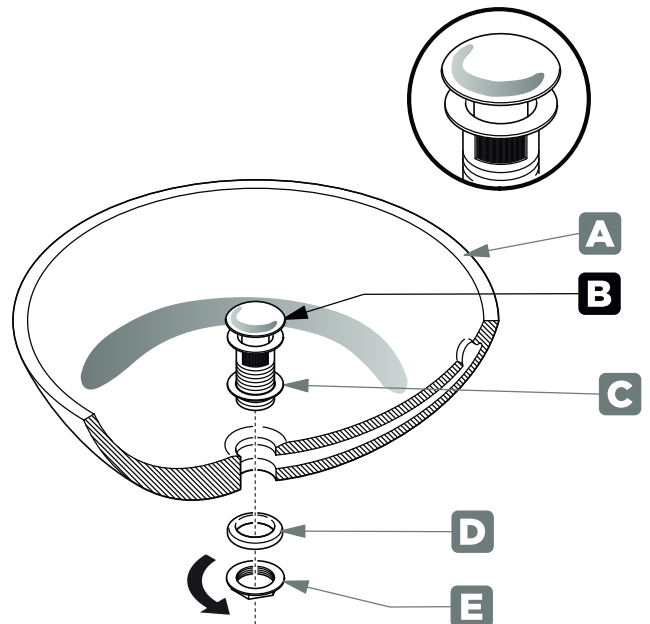
POP-UP INSTALLATION INSTRUCTIONS

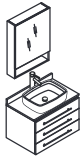
FOR SINKS WITHOUT OVERFLOW



OR

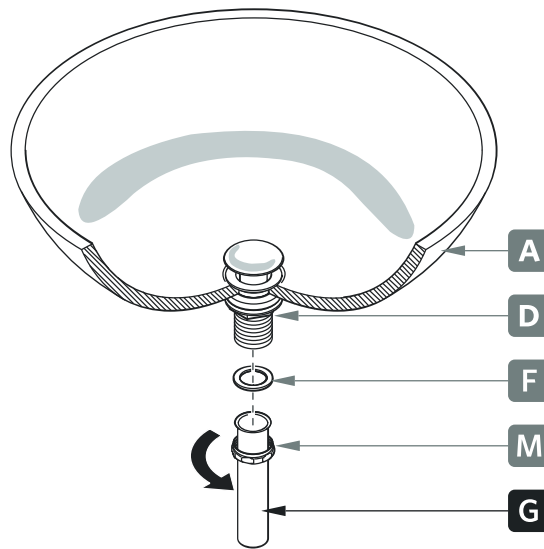
FOR SINKS WITH OVERFLOW





P-TRAP INSTALLATION

1 Install tail pipe (G)



2 Install p-trap (J)

